

## Front Suspension:

Ride Height: \_\_\_\_\_

Toe: \_\_\_\_\_ Hex: +0mm

Anti-Roll Bar

Size: 2.2mm

Gap: 2.0 mm

Ackerman

Steering Arm Plate: +2 degree

Drive Shaft: 93mm CVA

Notes:

Droop: 105

Open in So Dialed App

Caster Shim: F/R: 3 / 1 mm

Insert Type: None

Wheelbase Shim: Long (behind arm)

Lower Ball Type: \_\_\_\_\_

Upper Ball Type: \_\_\_\_\_

Upper Ball Shim: 1.4 mm

Insert Type: None

Insert Location: Top:  Bottom:

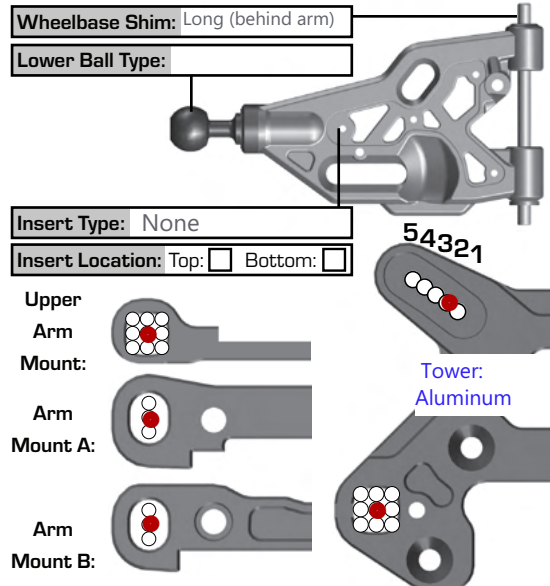
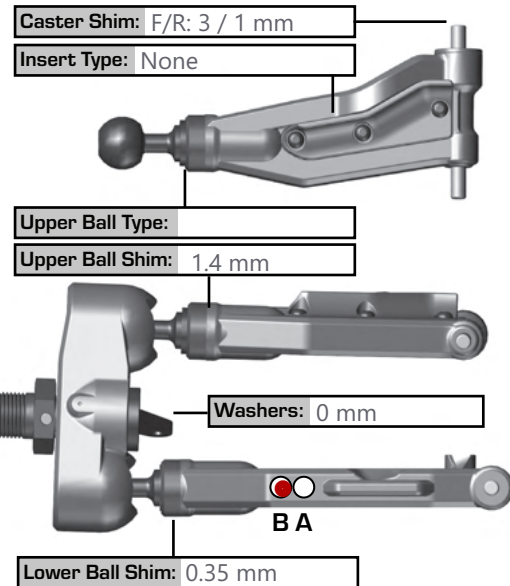
Washers: 0 mm

Upper Arm Mount: \_\_\_\_\_

Arm Mount A: \_\_\_\_\_

Arm Mount B: \_\_\_\_\_

Lower Ball Shim: 0.35 mm



## Rear Suspension:

Ride Height: \_\_\_\_\_

Camber: \_\_\_\_\_ Hex: +0mm

Anti-Roll Bar

Size: 2.4mm

Gap: 5 mm

Drive Shaft: 93mm CVA

Chassis Brace

Ball:

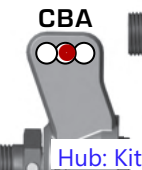
Screws: A - Front, B - Rear

Notes:

Droop: 126

Hub Shim: F/R: 2.5 / 2.5 mm

Wheelbase Shim: Short (behind arm)



Arm Mount C: C mt: HRC

Arm Mount D: D mt: HRC

Wing Height: High:  Low:

Tower: Aluminum



Insert Type: None

Insert Location: Top:  Bottom:

## Electronics:

Radio: Sanwa/Airtronics Servo: Highest

EPA: Throttle: % Brake: %

EXPO: Throttle: % Brake: %

ESC: Corsatec Motor: Corsatec

Battery: Gens Ace Saddle  Brick

Battery Position: Rear  Center  Forward

Battery Tray Position: Rear  Forward

Notes:

## Differential:

R: 42/12

	Front	Center	Rear
Fluid:	8,000 cst	8000 cst	5,000 cst
Gears:	High traction	High traction	High traction
Mass:			
Notes:			

## Gearing:

Spur Gear: 46 Pinion: 15

Notes:

## Shocks:

	Front	Rear
Piston:	8x1.2mm tapered	8x1.2mm tapered
Fluid:	45 wt	40 wt
Bladder:	Stiff	Stiff
Rebound:		
Spring:	5.5lb Blue	4.0lb Green
Length:		
Oil brand:	Team Associated	

## Track Info:

Size: Small  Medium  Large  Extra Large

Surface: Dirt  Carpet  AstroTurf  Multi Surface

Traction: Low  Medium  High  Very High

Moisture: Dry  Damp  Wet

Condition: Indoor  Outdoor  Dusty  Hard Packed  Bumpy  Grooved  Smooth  Loamy

Temperature: Ambient: \_\_\_\_\_ Track: \_\_\_\_\_

Notes:

## Tires:

Front Tire/Compound/Insert/Wheel: \_\_\_\_\_

Rear Tire/Compound/Insert/Wheel: \_\_\_\_\_

Notes:

Radio Tray Flex Assembly:

Transponder Mount:  None:

Radio Tray Brace:

## Body and Wing:

Body: B4e Gamma

Nose Cone: \_\_\_\_\_

Rear Wing: Kit

Angle: 0°  2°  4°  Button: Flat  Fin

Vent Holes: \_\_\_\_\_

Weight:

Total Weight: \_\_\_\_\_

Notes:

## Vehicle Comments:

Notes: