

Setup: ABC Start

SET-UP SHEET

Name: _____
 Date: _____
 Track: _____

Diff. Oil
 Front: _____
 Center: _____
 Rear: _____

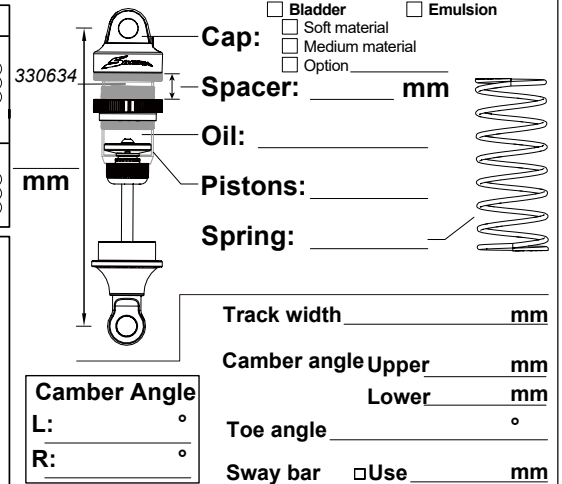
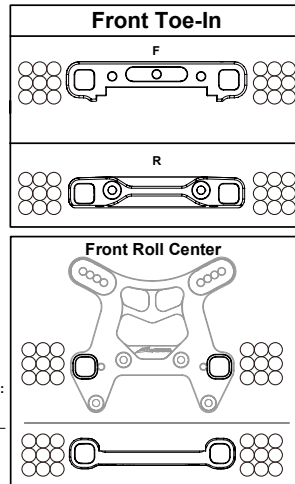
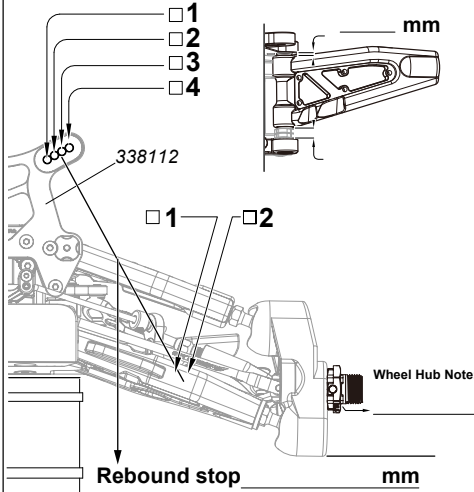
Track Conditions
 Size: Open Med. Tight
 Traction: High Med. Low
 Surface: Smooth Med. Bumpy

Tire
 Front Type: _____
 Front Foam: _____
 Rear Type: _____
 Rear Foam: _____

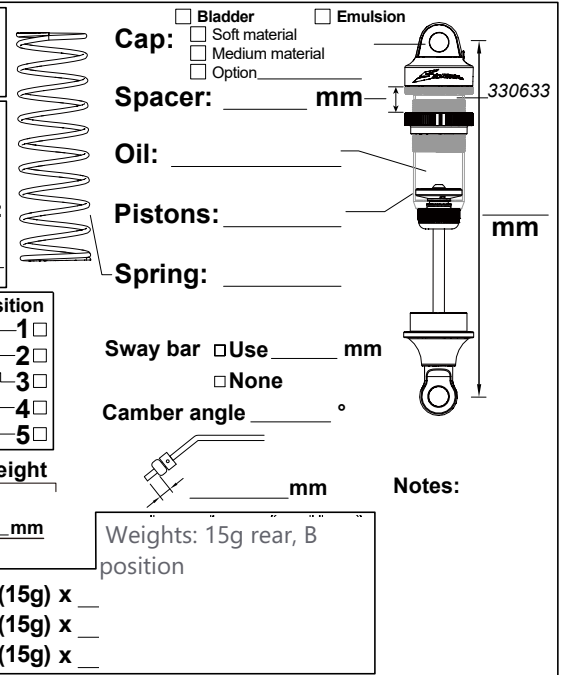
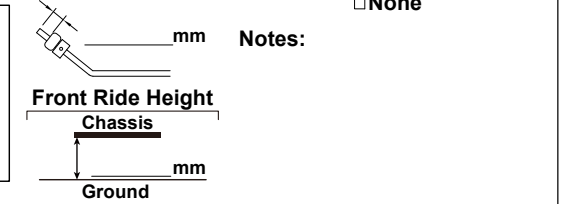
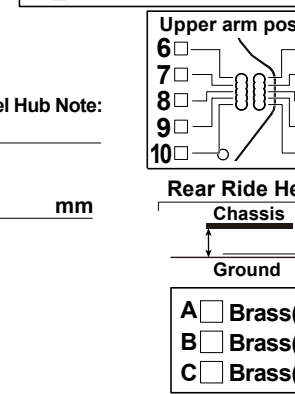
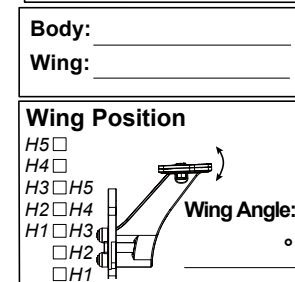
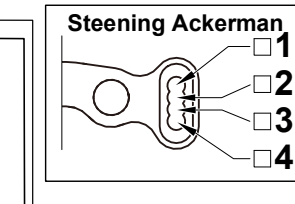
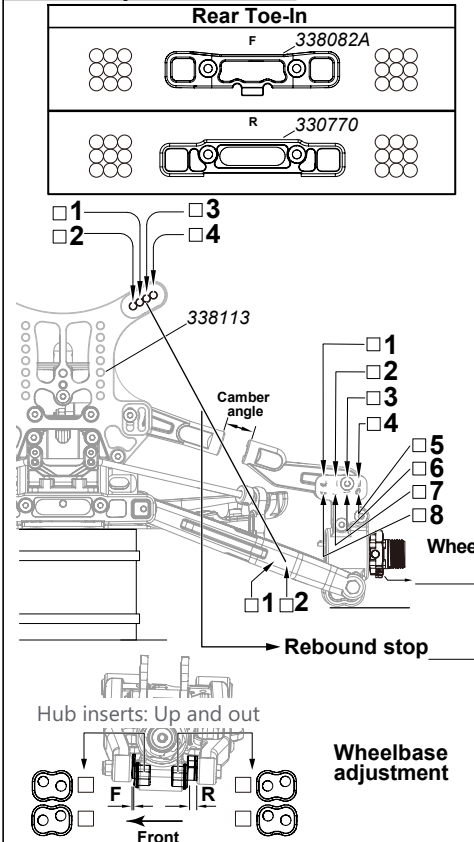
Engine
 Type: _____ Muffler: _____
 Gasket: _____ mm Fuel: _____
 Plug: _____

Clutch
 Clutch shoes: _____
 Spring: _____ mm
 Clutch bell / Spur gear: _____

Front Suspension



Rear Suspension



Option Parts List

Front Upper Arm

Hard Soft

Carbon Cover _____ mm

Front Lower Arm

Ultra Hard Hard Medium Soft

Carbon Cover _____ mm

Rear Lower Arm (228015)

Ultra Hard Hard Medium Soft

Use _____ mm
 None