

Driver _____ Track Surface _____ Track Temperature _____
 Date _____ Track Traction _____ Result _____ Air Temperature _____
 Track _____ Country _____ Best Lap _____ Humidity _____ Remark _____

Front

Alu
 Hard
 Soft

Hex

Spacer

Sway Bar

Ride Height _____ mm
Camber _____
Toe _____
Downstop _____ mm

Spool
 High Diff
 Low Diff

Gear Diff
Cst _____
Weight _____

Carbon Plate Hard Soft

Hard
 Soft
 No

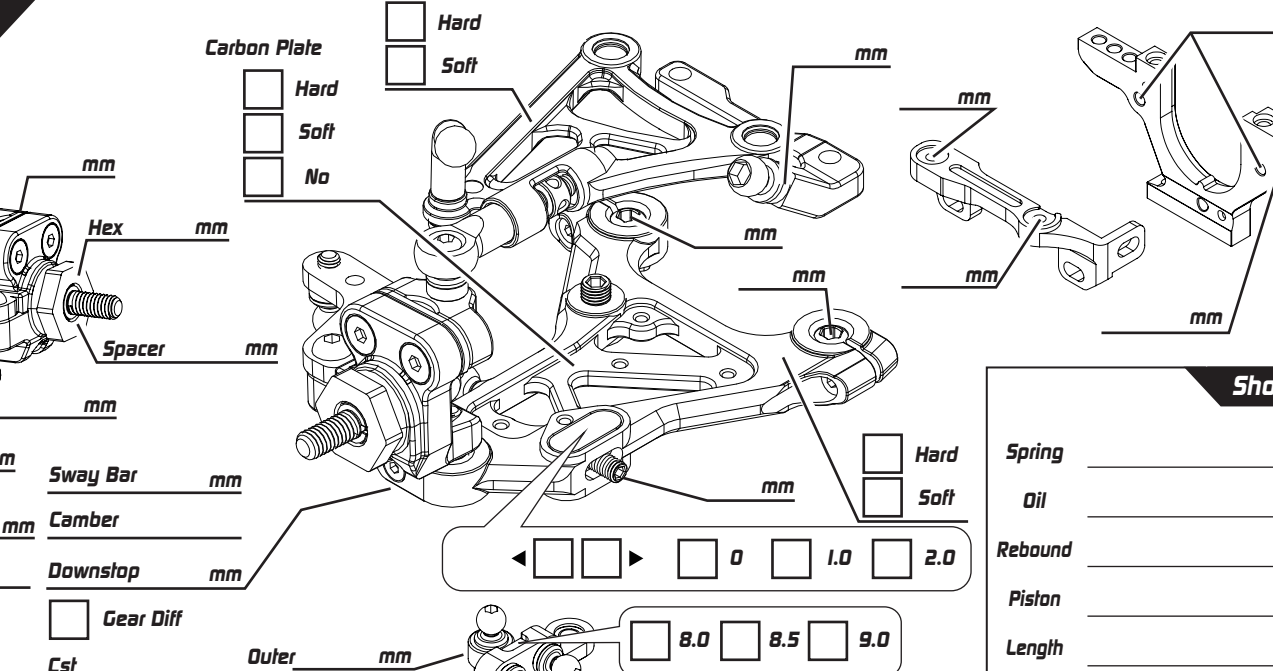
Hard
 Soft

Steering _____ mm

0 1.0 2.0

8.0 8.5 9.0

mm Remark _____



mm

mm

mm

mm

mm

mm

mm

mm

Shocks

Spring _____

Oil _____

Rebound _____

Piston _____

Length _____

Note _____

Rear

Alu
 Hard
 Soft

Hex

Spacer

Sway Bar

Ride Height _____ mm
Camber _____
Toe _____
Downstop _____ mm

High Diff
 Low Diff

Gear Diff
Cst _____
Weight _____

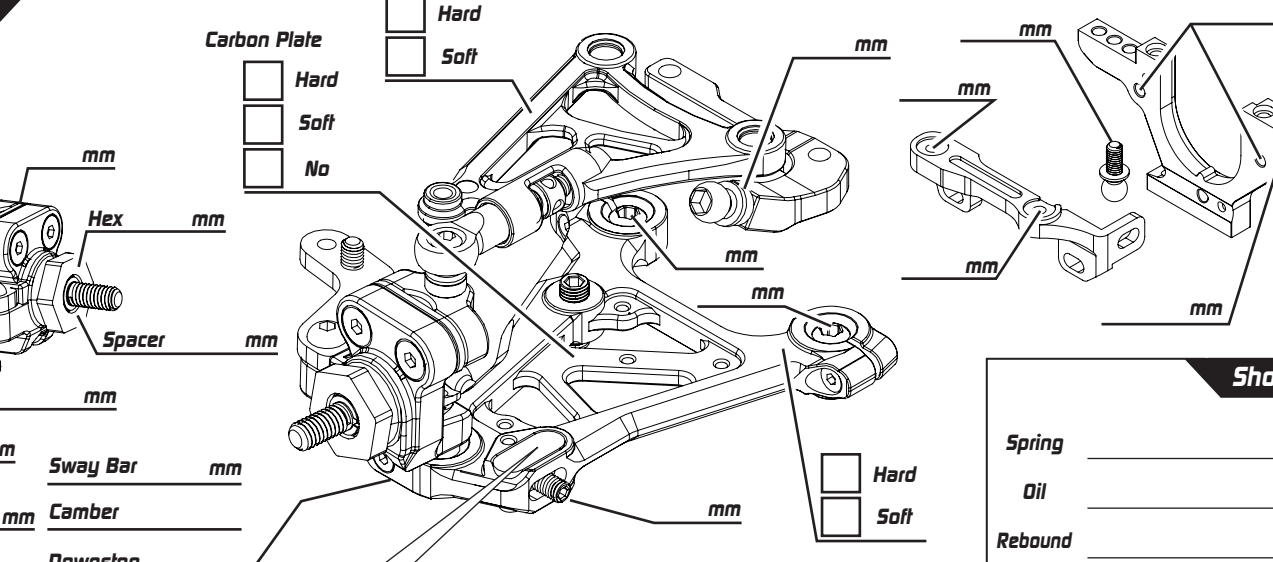
Carbon Plate Hard Soft

Hard
 Soft
 No

Hard
 Soft

Remark _____

0 1.0 2.0



mm

mm

mm

mm

mm

mm

mm

mm

Shocks

Spring _____

Oil _____

Rebound _____

Piston _____

Length _____

Note _____

Weight _____ g

Battery _____

Body _____

Tires _____

Additive _____

Servo Horn Height _____ mm

ESC _____

Motor _____

Spur P/ T Servo _____

Pinon P/ T FDR _____

Weight _____ g

Carbon
 Alu

Weight _____ g

