

SET UP SHEET



Setup: My Base Setup

Full details in app: sodialed.com/s/oDms

Driver: Paul Webb July 19, 2024 Event/Track: _____
 Qualify: _____ Final: _____ Best Lap: _____

TRACK TYPE

Grip Level High Medium Low
 Type Tight Open Mixed
 Condition Flat Bumpy Mixed
 Surface Clay Long Astro Carpet
 Grass Short Astro Mixed
 Weather _____

TYRES

	FRONT	REAR
Tyres	_____	_____
Wheels	_____	_____
Inserts	_____	_____

Notes:

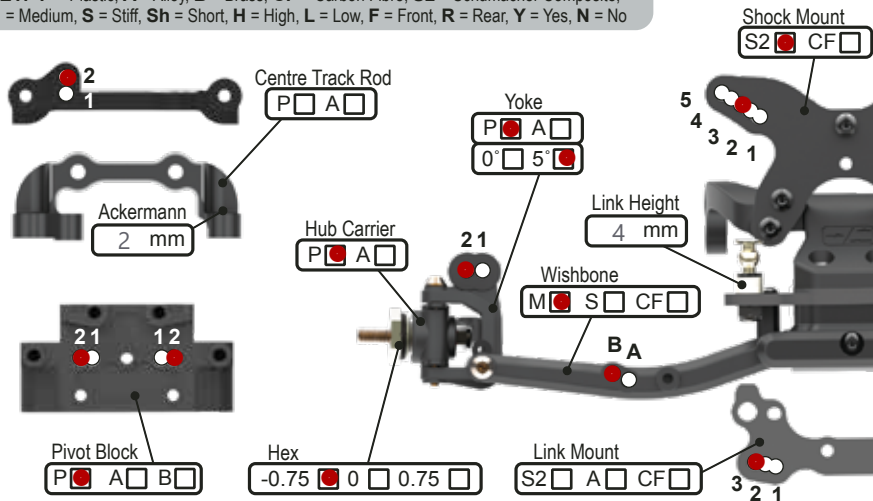
Notes:

FRONT SUSPENSION

KEY: P = Plastic, A = Alloy, B = Brass, CF = Carbon Fibre, S2 = Schumacher Composite, M = Medium, S = Stiff, Sh = Short, H = High, L = Low, F = Front, R = Rear, Y = Yes, N = No

Ride Height mm
 Wheelbase 0 +1.5 +3.0 +4.5
 Toe
 Camber at Ride Height deg
 Anti Roll Bar None Full
 Front Wing Y N
 Hub Height H M L
 Bump Steer Washers mm
 Pivot Block Height H M L

Notes:

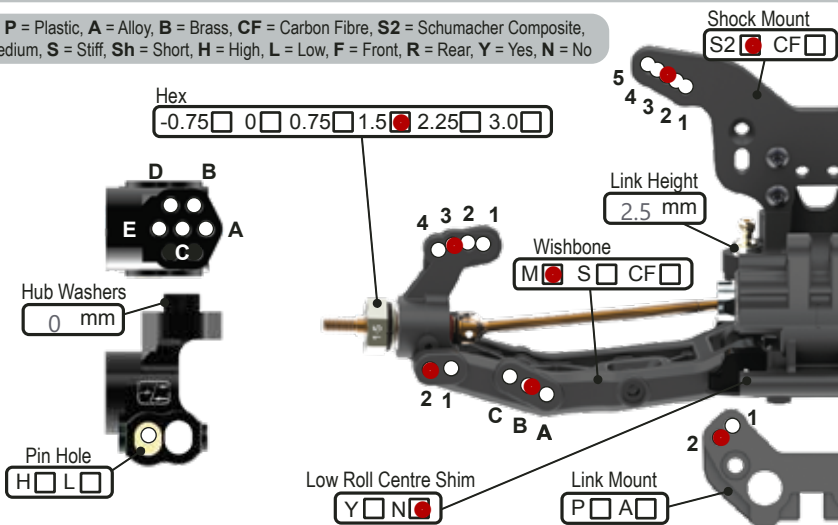


REAR SUSPENSION

KEY: P = Plastic, A = Alloy, B = Brass, CF = Carbon Fibre, S2 = Schumacher Composite, M = Medium, S = Stiff, Sh = Short, H = High, L = Low, F = Front, R = Rear, Y = Yes, N = No

Ride Height mm
 Wheelbase Sh M L
 Anti-Squat 1° 2° 3° 4°
 Toe 4° 3.5° 3° 2.5° 2° 1.5° 1.0° 0.5°
 Camber at Ride Height deg
 Anti Roll Bar
 Wing Gurney Height mm
 Rearward Shock Position Only A B
 Driveshaft Type CVD U/J

Notes:



TRANSMISSION

Diff Height H M L
 Diff Oil cSt
 Diff Type B 2g 4g
 Motor _____
 Rotor Dia. _____ mm
 Timing _____ deg
 Pinion t
 Spur t
 Motor Plate A CF
 Lock Out Y N
 Slipper Plates 2 3

CHASSIS

Chassis A C/F
 Side Pods S C/F
 Chassis Insert 0mm +5mm
 LiPo Position
 1 2 3 4 5 6 7 8
 X Brace Y N
 Running Weight
 Radio Tray 1 2 3
 Notes:

EQUIPMENT

E.S.C. _____
 Servo _____
 RX _____
 LiPo _____
 Bodyshell _____ Kit

WEIGHTS

Chassis F R
 Rear Strap F R
 Radio Tray Y N
 Under LiPo Y N

SHOCKS

KEY: i = Internal, e = External, V = Vented, S = Sealed, A = Aeration

	FRONT	REAR
Cap	<input type="checkbox"/> V <input type="checkbox"/> S <input type="checkbox"/> A <input checked="" type="checkbox"/>	<input type="checkbox"/> V <input type="checkbox"/> S <input type="checkbox"/> A <input checked="" type="checkbox"/>
Body	_____	_____
Oil	550 cst	400 cst
Piston	<input checked="" type="checkbox"/> 3 x 1.5mm - White	<input checked="" type="checkbox"/> 3 x 1.7mm - Red
Spring	<input checked="" type="checkbox"/> 4.0lb Black	<input checked="" type="checkbox"/> 2.2lb Green
Limiters	Int/ext: 0 / 0 mm	0 / 0 mm
Stroke	22 mm	27.3 mm

Oil brand: CORE

Notes:

