

RACE

TRACK NAME

CITY / COUNTRY

DATE

TEMPERATURE	AIR	TRACK
QUALIFYING POSITION	BEST LAP TIME SEC	FINAL POSITION
		RACE LENGTH MIN
TRACK CONDITION		
<input type="checkbox"/> TECHNICAL	<input type="checkbox"/> CARPET	<input type="checkbox"/> ASPHALT
<input type="checkbox"/> LOW	<input type="checkbox"/> MIXED	<input type="checkbox"/> FAST
TRACTION <input type="checkbox"/> LOW <input type="checkbox"/> MEDIUM <input type="checkbox"/> HIGH		

TRANSMISSION

BELT FRONT STD SOFT

GEAR DIFF OIL CST

REAR STD SOFT

NUMBER OF GEARS 2 4

PINION T SPUR GEAR T

FINAL DRIVE RATIO

SPRING 17mm 20mm

SUSPENSION

FRONT	OIL	REAR
<input type="text"/> W CST	<input type="text"/>	<input type="text"/> W CST
<input type="text"/> PDS	<input type="text"/> PDS	<input type="text"/> PDS
<input type="text"/>	<input type="text"/> SPRING	<input type="text"/>
<input type="text"/>	<input type="text"/> HOLES / DIAMETER	<input type="text"/>
<input type="text"/> %	<input type="text"/> REBOUND	<input type="text"/> %

ANTI-ROLL BAR FRONT mm REAR mm

TIRES

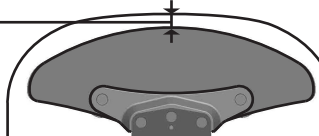
ADDITIVE TIMING

ADDITIVE

FL FR RL RR

TREATED AREA

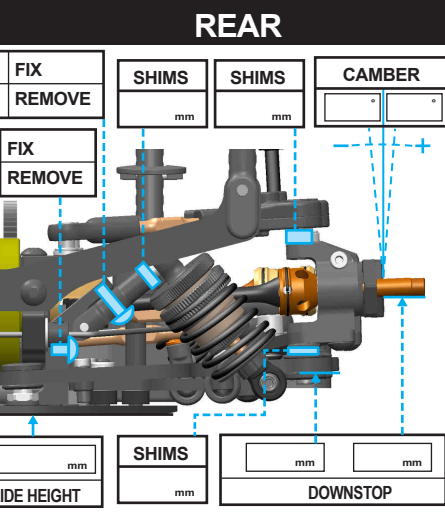
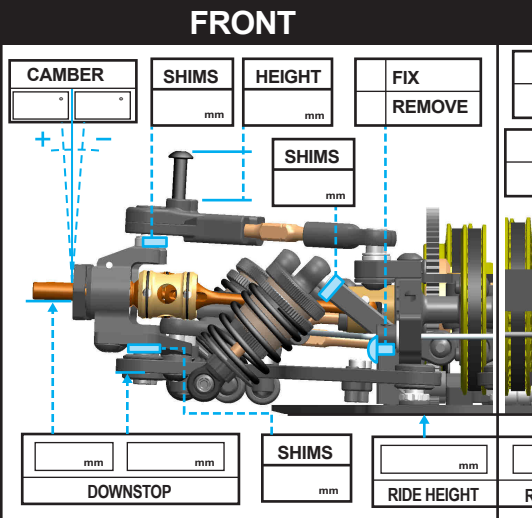
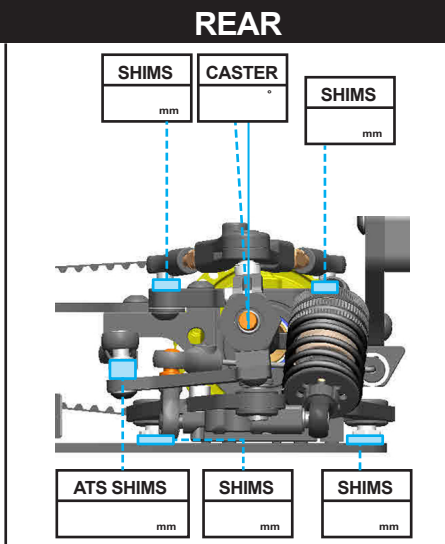
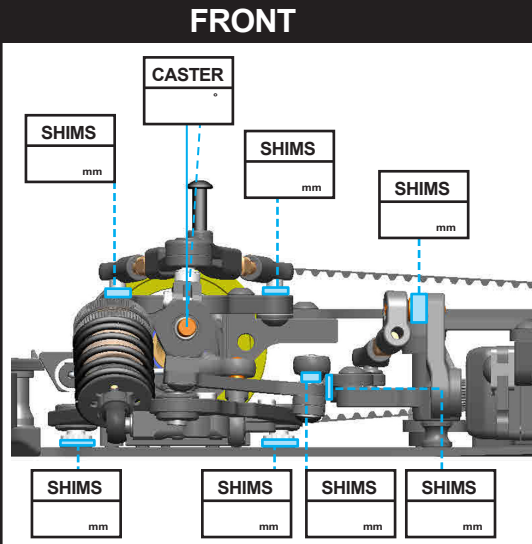
BODY MOUNT DISTANCE mm



BODY WING

NOTE

Open in So Dialed App



CHASSIS SETUP

