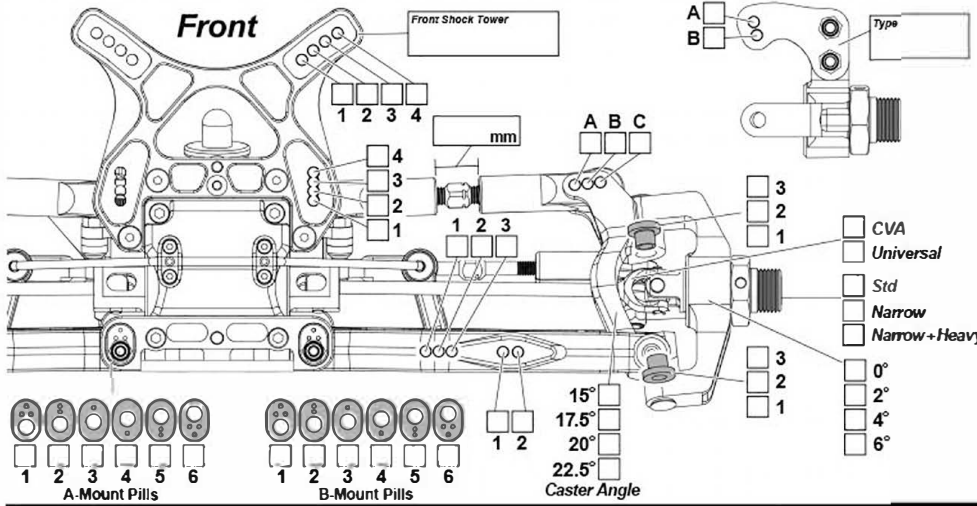


Driver _____ Date _____ Track _____ Event _____

Track Condition

Temperature



Ride Height _____ mm

Camber Angle _____ °

Toe Angle _____ °

Sway Bar _____ mm

Droop _____ mm

Shock Length _____ mm

Shock Stroke _____ mm

Front Shocks

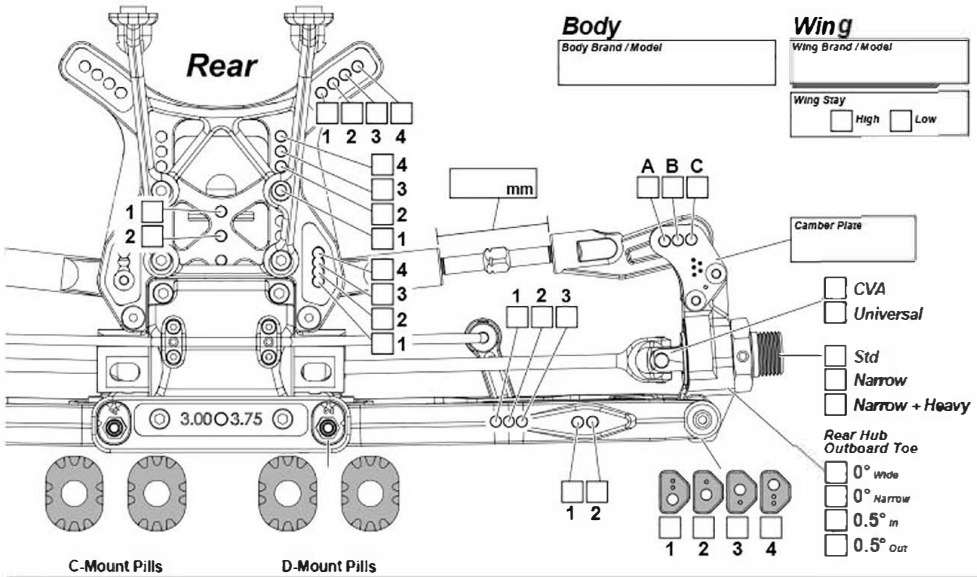
Oil weight _____ wt

Piston _____ mm

Bladder _____ mm

Spring _____

Notes



Ride Height _____ mm

Camber Angle _____ °

Toe Angle _____ °

Sway Bar _____ mm

Droop _____ mm

Shock Length _____ mm

Shock Stroke _____ mm

Rear Shocks

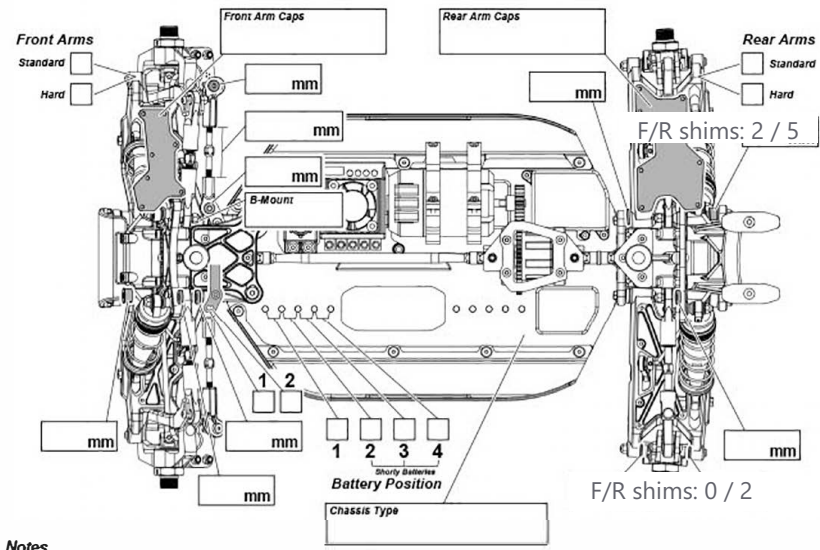
Oil weight _____ wt

Piston _____ mm

Bladder _____ mm

Spring _____

Notes



Motor

Brand / Model _____

Spur gear _____ Pinion Gear _____

Battery

Brand / Model _____

ESC

Brand / Model _____

Tires

	Front	Rear
Brand	_____	_____
Compound	_____	_____
Insert	_____	_____
Wheel	_____	_____
Notes	_____	_____

	Center	Rear
Brand	_____	_____
Oil	_____	_____

Notes