

Driver Salami		Date August 21, 2024		Track Condition :		Event		Spur Gear <input type="checkbox"/> 45T <input checked="" type="checkbox"/> 46T <input type="checkbox"/> 47T <input type="checkbox"/> 48T		Pinion Gear 15 T	
Motor	Battery		ESC	Tires Compound :			Tire Insert	Wheel		Body Kit	

● Diff. Gear Set-Up

	Front	Center	Rear
Diff. Gear	<input checked="" type="checkbox"/> 10/20 <input type="checkbox"/> 12/18 <input type="checkbox"/> LSD	<input checked="" type="checkbox"/> 10/20 <input type="checkbox"/> 12/18 <input type="checkbox"/> LSD	<input checked="" type="checkbox"/> 10/20 <input type="checkbox"/> 12/18 <input type="checkbox"/> LSD
#	10,000	# 10,000	# 5,000
		Diff. Size <input type="checkbox"/> Small <input type="checkbox"/> Large	

● Shock Set-Up

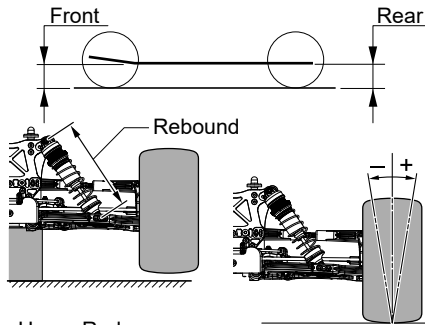
	Front	Rear
Shock Type	P : w/Diaphragm A : Aeration Size 55mm - Bladder	Size 58mm - Bladder
Shock Piston	B : Black W : White T : Taper 5 x 1.5mm	5 x 1.5mm
Shock Oil	#	#
Shock Spring	88mm Red	94mm Red

● Ride Height

Front	Rear
mm	mm

● Rebound

Front	Rear
mm	mm



● Camber Angle

Front	Rear
+ ° - °	+ ° - °

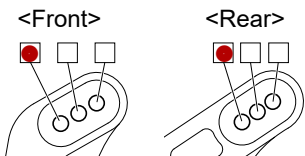
● Toe Angle

Front	Rear
+ ° - °	<input type="checkbox"/> 2.5° <input checked="" type="checkbox"/> 3° <input type="checkbox"/> 3.5°

● Wheelbase

Collar of Rear Hub	F/R: 3 / 2 mm
--------------------	---------------

● Shock Mount Position



Shock Stay

Front	Kit
Rear	Kit

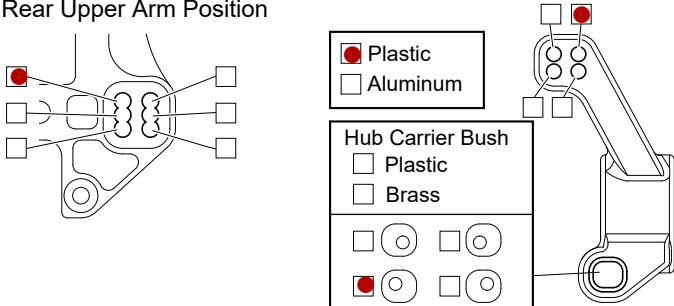
Shock Bush

Front	<input type="checkbox"/> Short <input type="checkbox"/> Std.
Rear	<input type="checkbox"/> Short <input type="checkbox"/> Std. <input type="checkbox"/> Long

Sus. Arm

Front	<input type="checkbox"/> In <input type="checkbox"/> Medium <input checked="" type="checkbox"/> Out
Rear	<input type="checkbox"/> In <input checked="" type="checkbox"/> Medium <input type="checkbox"/> Out

● Rear Upper Arm Position



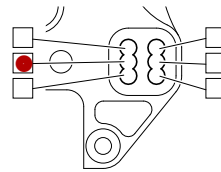
● Front Sus. Arm

<input checked="" type="checkbox"/> Soft (Std.)	<input type="checkbox"/> Hard
---	-------------------------------

● Front Sus. Bush

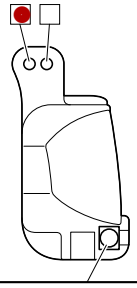
Rear Side	<input type="checkbox"/> <input type="checkbox"/> <input checked="" type="checkbox"/> <input type="checkbox"/>
-----------	--

● Front Upper Arm Position



● Front Hub Carrier

<input checked="" type="checkbox"/> Plastic	<input type="checkbox"/> Aluminum
<input type="checkbox"/> 13°	<input type="checkbox"/> 16° <input checked="" type="checkbox"/> 17.5°
<input type="checkbox"/> 19°	<input type="checkbox"/> 22°



● Rear Sus. Bush

Front Side	<input type="checkbox"/> <input checked="" type="checkbox"/> <input type="checkbox"/> <input type="checkbox"/>
Rear Side	<input type="checkbox"/> (2.5) (2.5) <input checked="" type="checkbox"/> (3) (3) <input type="checkbox"/> (3.5) (3.5) <input type="checkbox"/> (2) (2) <input type="checkbox"/> (3) (3) <input type="checkbox"/> (3) (3)

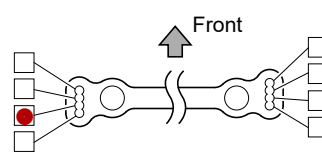
● Rear Sus. Arm

<input checked="" type="checkbox"/> Soft (Std.)	<input type="checkbox"/> Hard
Rear Sus. Bush	
<input type="checkbox"/> Short	<input type="checkbox"/>
<input type="checkbox"/> Medium	<input type="checkbox"/>
<input checked="" type="checkbox"/> Long	<input type="checkbox"/>

● Servo Horn

<input type="checkbox"/> Plastic	<input type="checkbox"/> AL. Long
	<input type="checkbox"/> AL. Short

● Steering Plate



● Sway Bar

Front	Rear
φ 2.3 mm	φ 2.6 mm
mm	mm

● Weight

Front	Rear
<input type="checkbox"/> None	<input type="checkbox"/> None
<input type="checkbox"/> IFW604-10	<input type="checkbox"/> IFW605-10
<input type="checkbox"/> IFW604-20	<input type="checkbox"/> IFW605-20
<input type="checkbox"/> other	<input type="checkbox"/> other

● Wing

<input checked="" type="checkbox"/> IF491(TK14)	Flap <input type="checkbox"/> None
	<input type="checkbox"/> 5mm
	<input type="checkbox"/> 8mm
	<input type="checkbox"/> Holes

memo :