

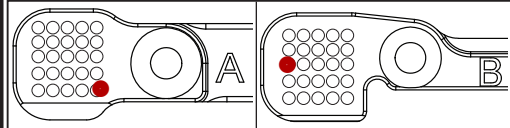
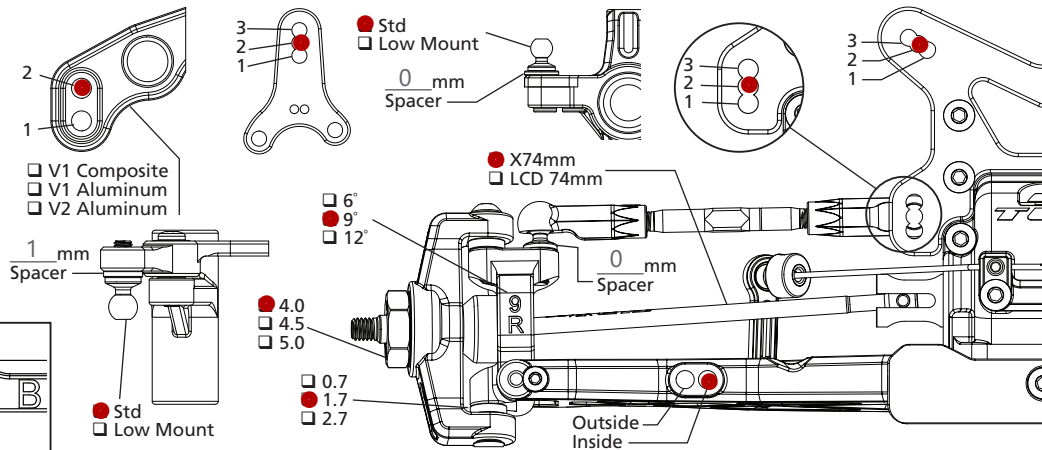
Name: Sean February 21, 2025 Event: Track:

Track Conditions Setup: My Base Setup Open in So Dialed App

Indoor Clay Carpet Tight Smooth Hard Packed Blue Groove Wet Bite: Low Med High Other: _____
 Outdoor Dirt Astro Open Rough Loose/Loamy Dry Dusty Tread: Pin Ghost Slicks

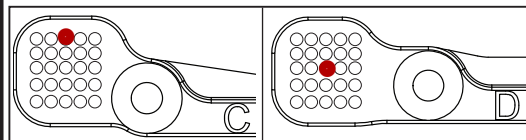
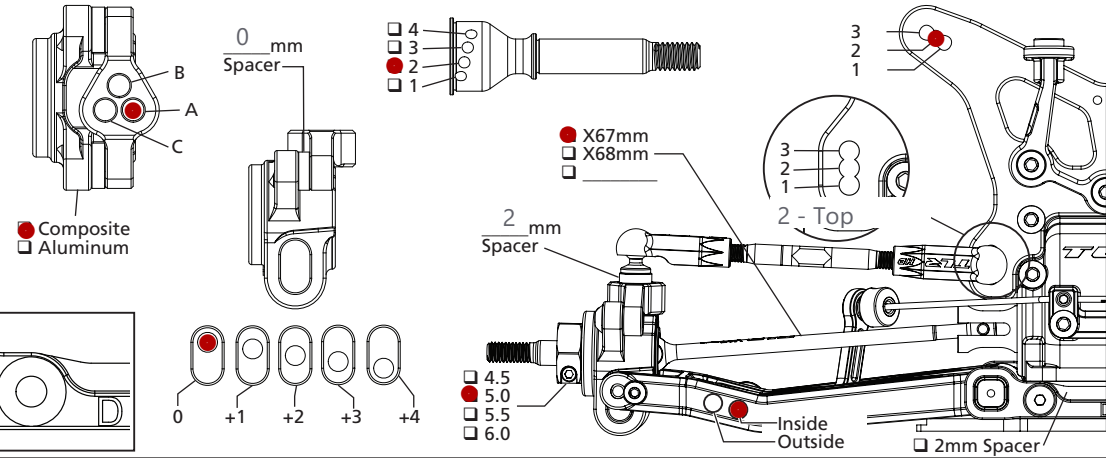
Front Suspension

Ride Height	19	mm
Camber	-2	°
Toe	-1	°
Sway Bar	1.0mm	
Notes:		



Rear Suspension

Ride Height	19	mm
Camber	-2	°
Sway Bar	1.2mm	mm
Notes:		



Chassis

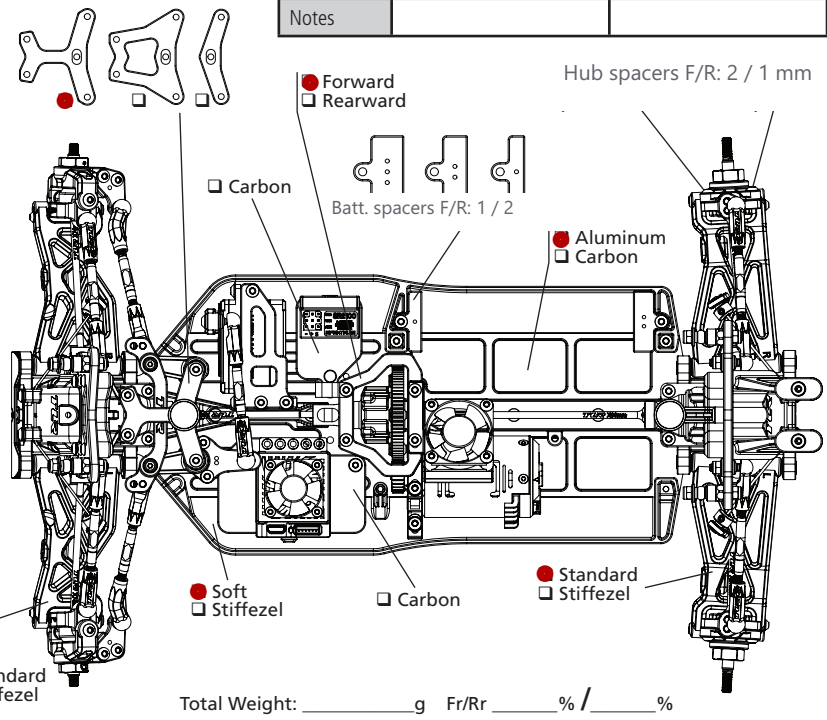
Differentials			
	Front	Center	Rear
Fluid	7,000 cst		5,000 cst
Int Gears	<input checked="" type="checkbox"/> Std <input type="checkbox"/> Comp	<input type="checkbox"/> Std <input type="checkbox"/> Comp	<input checked="" type="checkbox"/> Std <input type="checkbox"/> Comp
Weight	19.4 g		19.4 g
Ring/Pin	<input checked="" type="checkbox"/> Std <input type="checkbox"/> Comp		<input checked="" type="checkbox"/> Std <input type="checkbox"/> Comp
Center Diff Cover		<input checked="" type="checkbox"/> Composite <input type="checkbox"/> Aluminum	
Slipper Pads		<input type="checkbox"/> Torque/Yellow <input checked="" type="checkbox"/> Drive/Orange	

Aerodynamics	
Body	22X-4
Fr Scoop	TLR Scoop
Rr Wing	TLR Medium downforce 6.5"
Wicker	2nd line
Angle	2
Notes	

Tires		
	Front	Rear
Brand		
Tread		
Compound		
Insert		
Sauce		
Wheel		
Notes		

Shocks		
	Oil brand: Team Losi	
	Front	Rear
Shock Caps	Aluminum G3	Aluminum G3
Oil	42.5 wt	37.5 wt
Piston	Thin 2 x 1.6mm	Thin 2 x 1.7mm
Limiter, Int	Int/ext: 1 / 1 mm	0 / 1
Shaft Dia	<input checked="" type="checkbox"/> 3.0mm <input type="checkbox"/> 3.5mm	<input checked="" type="checkbox"/> 3.0mm <input type="checkbox"/> 3.5mm
Limiter, Ext		
Stroke	23.5 mm	30.5 mm
Eyelet	<input checked="" type="checkbox"/> Std <input type="checkbox"/> +2mm	<input checked="" type="checkbox"/> Std <input type="checkbox"/> +2mm
Spring	LF Yellow	LF Pink
Spring Cup	<input type="checkbox"/> Low <input type="checkbox"/> Mid <input checked="" type="checkbox"/> High	<input type="checkbox"/> Low <input checked="" type="checkbox"/> Mid <input type="checkbox"/> High

Electronics			
Radio		ESC	
Servo		Thro Prof	
Battery		Timing Adv	
Battery Wt		g	Initial Brake
Motor			Drag Brake
Gearing	/ 81	Thr/Bra EPA	/



Total Weight: _____ g Fr/Rr _____ % / _____ %