

Driver: _____ Date: _____ Event/Track: _____

Qualify: _____ Final: _____ Best Lap: _____

Setup: My Base Setup

[Open in So Dialed App](#)

TRACK TYPE

Grip Level High Medium Low

Type Tight Open Mixed

Condition Flat Bumpy Mixed

Surface Clay Long Astro Carpet
 Grass Short Astro Mixed

Weather _____

TYRES

	FRONT	REAR
Tyres	_____	_____
Wheels	_____	_____
Inserts	_____	_____

Notes:

Notes:

FRONT SUSPENSION

KEY: P = Plastic, A = Alloy, B = Brass, CF = Carbon Fibre, S2 = Schumacher Composite, M = Medium, S = Stiff, Sh = Short, H = High, L = Low, F = Front, R = Rear, Y = Yes, N = No

Ride Height _____ mm

Wheelbase 0 +1.5 +3.0 +4.5

Toe _____ deg

Camber at Ride Height _____ deg

Anti Roll Bar 0.9 1.0 1.1 1.2

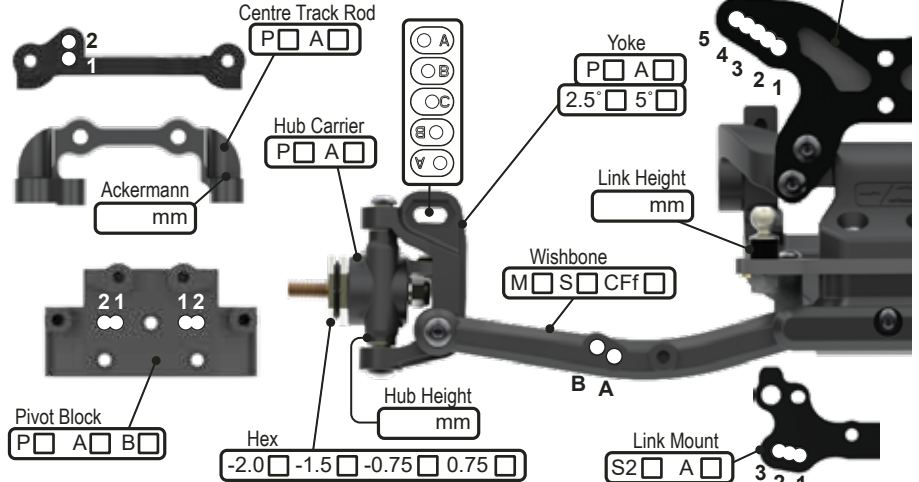
Front Wing _____

Bump Steer Washers _____ mm

Pivot Block Height H M L

Steering Arm Kit A B C

Notes:



REAR SUSPENSION

KEY: P = Plastic, A = Alloy, B = Brass, CF = Carbon Fibre, S2 = Schumacher Composite, M = Medium, S = Stiff, Sh = Short, H = High, L = Low, F = Front, R = Rear, Y = Yes, N = No

Ride Height _____ mm

Wheelbase 0 +2 +4 +6

Anti-Squat 1° 2° 3° 4°

Toe 4° 3.5° 3° 2.5° 2° 1.5° 1.0° 0.5°

Camber at Ride Height _____ deg

Anti Roll Bar 1.0 1.1 1.2 1.3 1.4

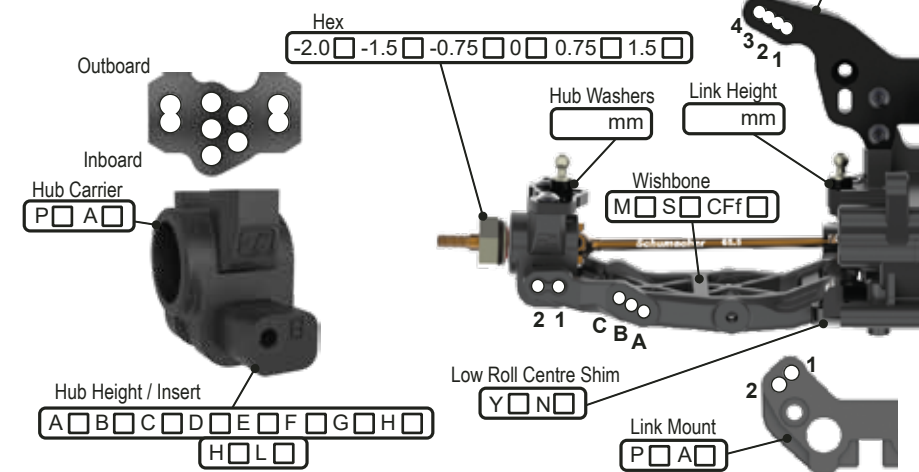
Wing Gurney Height _____ mm

Rearward Shock Position Y N

Driveshaft Type CVD U/J

Gearbox Type Laydown Layback

Notes:



TRANSMISSION

B = Ball, 2g = 2 Gear, 4g = 4 Gear

Diff Height H M L

Diff Oil _____ cSt

Diff Type B 2g 4g

Motor _____

Rotor Dia. _____ mm

Timing _____ deg

Pinion _____ t

Spur _____ t

Motor Plate A CF

Lock Out Y N

Slipper Plates 2 3

CHASSIS

Chassis A C/F

Chassis Insert 0mm +5mm

LiPo Position
 1 2 3 4 5 6 7 8

X Brace Y N

Running Weight _____ g

Radio Tray 1 2 3

Notes:

EQUIPMENT

E.S.C. _____

Servo _____

RX _____

LiPo _____

Bodyshell _____

WEIGHTS

Chassis F R

Rear Strap F R

Radio Tray Y N

Under LiPo Y N

SHOCKS

KEY: i = Internal, e = External, V = Vented, S = Sealed, A = Aeration

	FRONT	REAR
Cap	<input type="checkbox"/> V <input type="checkbox"/> S <input type="checkbox"/> A	<input type="checkbox"/> V <input type="checkbox"/> S <input type="checkbox"/> A
Body	_____	_____
Oil	_____	_____
Piston	_____	_____
Spring	_____	_____
Limiters (i)	_____ mm	_____ mm
Stroke	_____ mm	_____ mm
Limiters (e)	_____ mm	_____ mm

Notes:

