

MO 2.0

SETTING SHEET Ver.01

CIRCUIT

- INDOOR OUTDOOR
 DIRT ASTROTURF CARPET GLASS WOOD
 WET DRY DUSTY SMOOTH BUMPY
 HARD PACKED CLAY BLUE GROOVE _____
 LOW TRACTION MED TRACTION HIGH TRACTION

DRIVER

paxatoon

DATE

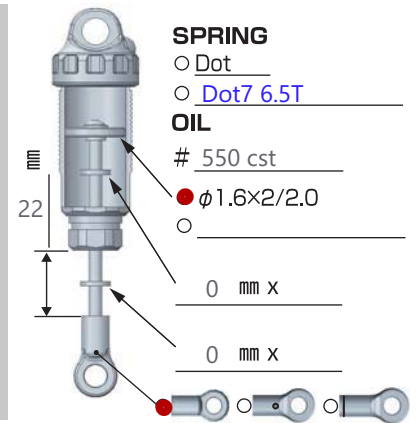
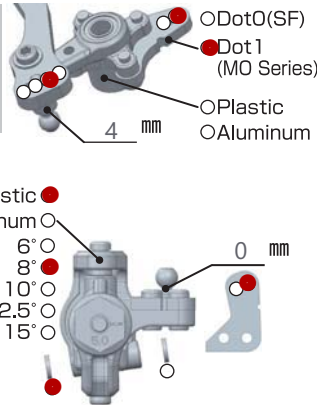
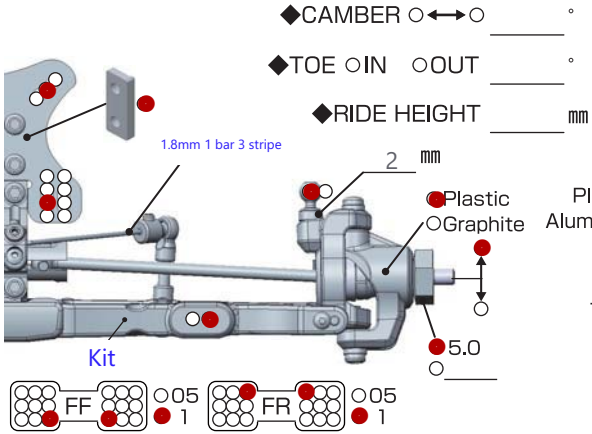
October 6, 2024

FRONT

◆CAMBER ← → _____ °

◆TOE IN OUT _____ °

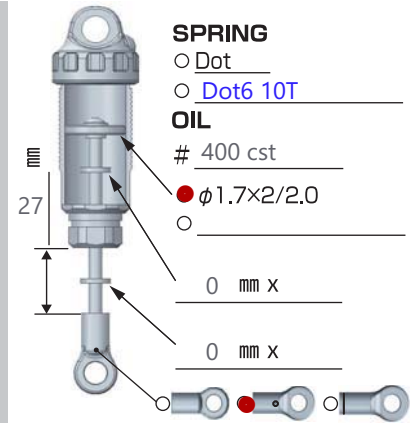
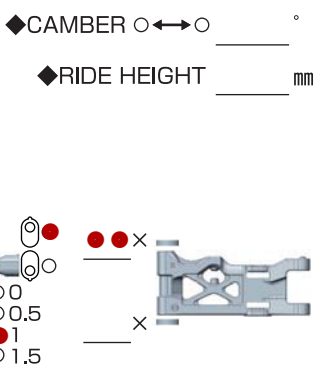
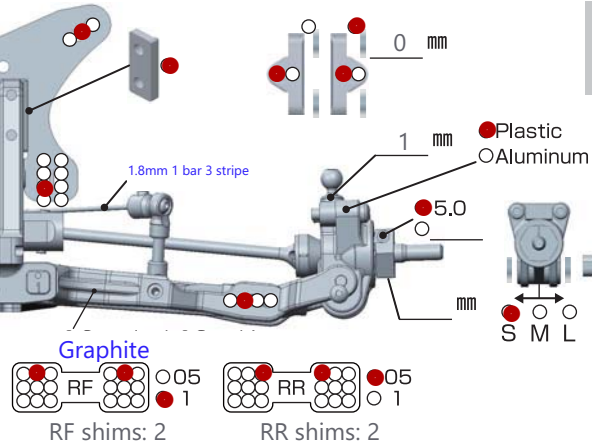
◆RIDE HEIGHT _____ mm



REAR

◆CAMBER ← → _____ °

◆RIDE HEIGHT _____ mm



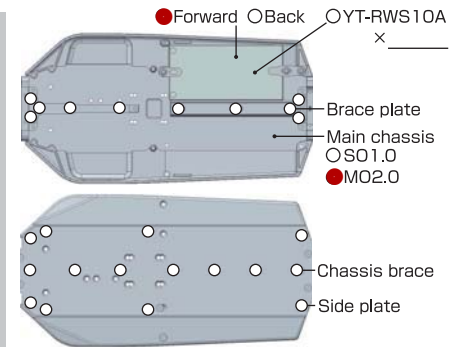
DRIVE



F/# 10,000
 2 4 gear
 R/# 10,000
 2 4 gear



MOTOR _____ Rotor _____ mm
 GEAR Spur 80 T / Pinion T : 2.5
 BATTERY _____
 ESC YOKOMO RPX3 YOKOMO BL-PRO4

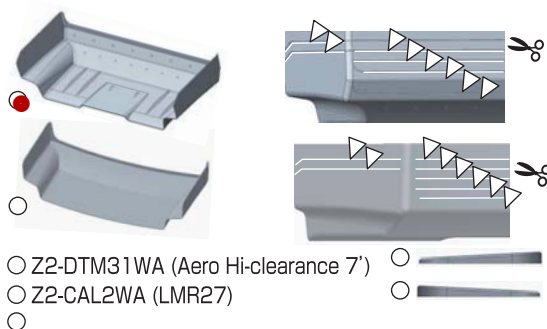


TIRE

FRONT
 TIRE _____
 INSERTS _____
 WHEELS _____

REAR
 TIRE _____
 INSERTS _____
 WHEELS _____

OTHER



COMMENT

Setup: My Base Setup
 Full details in app: sodialed.com/s/vnPM