

Race time / Lap: \_\_\_\_\_

Best lap: \_\_\_\_\_

Setup: My Base Setup

Name: \_\_\_\_\_  
 Date: \_\_\_\_\_  
 Track: \_\_\_\_\_

**Diff. Oil**  
 Front: \_\_\_\_\_  
 Center: \_\_\_\_\_  
 Rear: \_\_\_\_\_

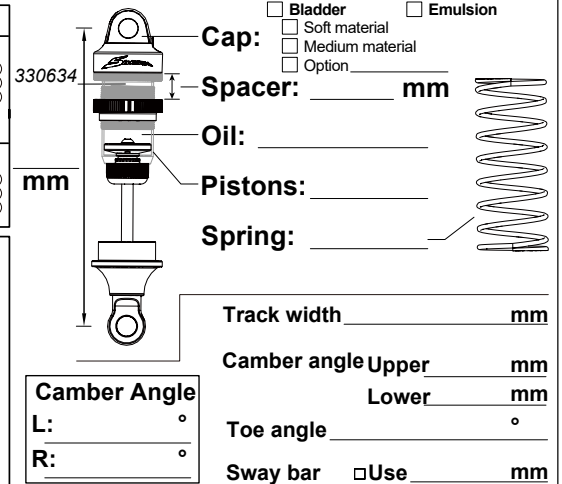
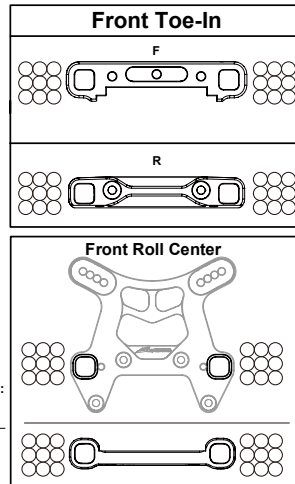
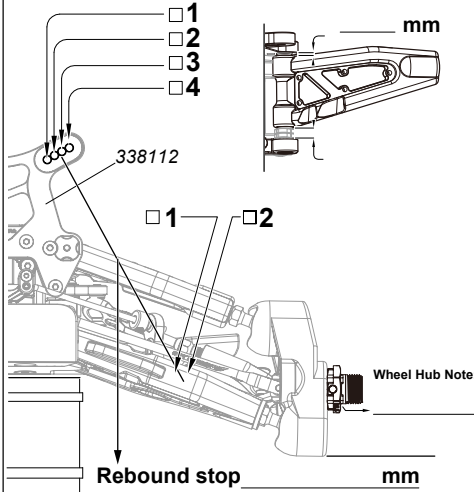
**Track Conditions**  
 Size:  Open  Med.  Tight  
 Traction:  High  Med.  Low  
 Surface:  Smooth  Med.  Bumpy

**Tire**  
 Front Type: \_\_\_\_\_  
 Front Foam: \_\_\_\_\_  
 Rear Type: \_\_\_\_\_  
 Rear Foam: \_\_\_\_\_

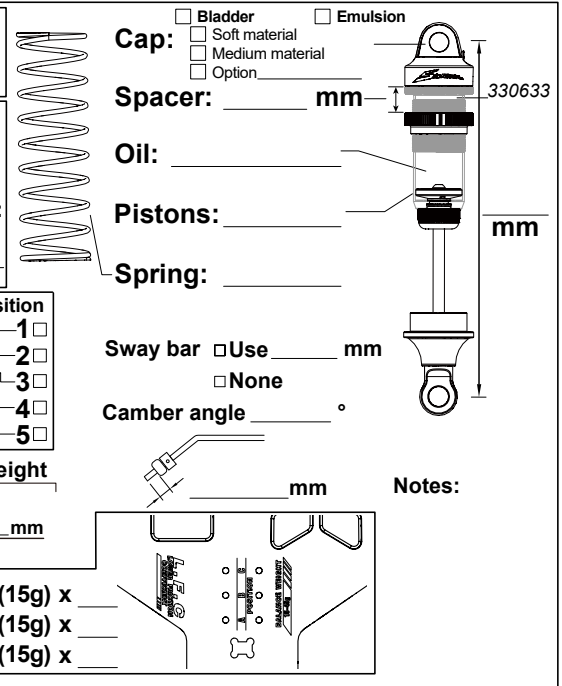
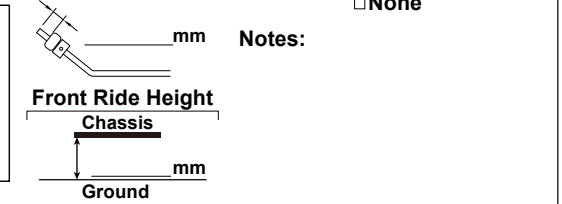
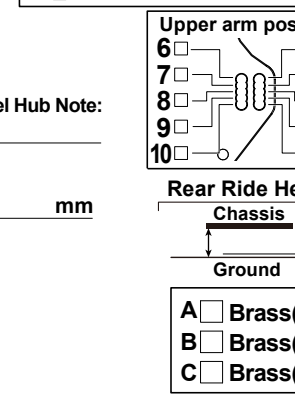
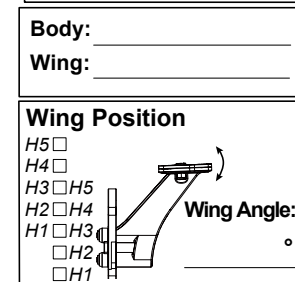
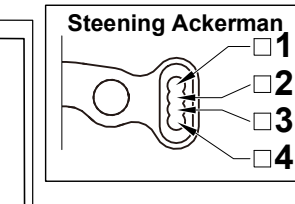
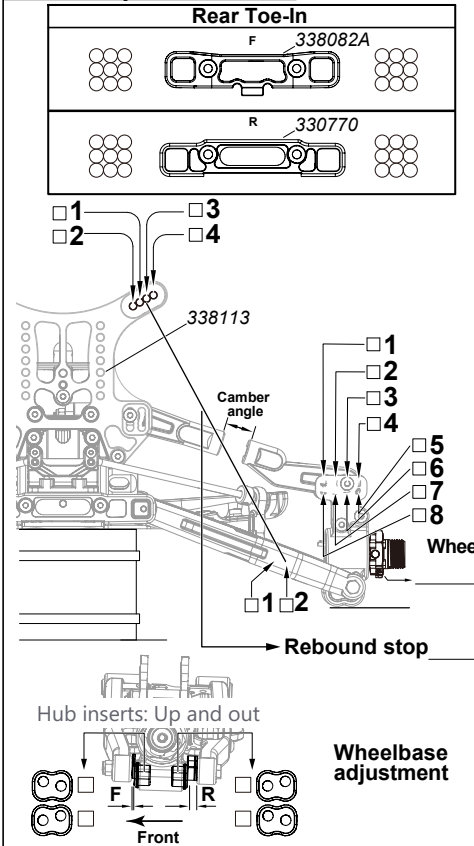
**Engine**  
 Type: \_\_\_\_\_ Muffler: \_\_\_\_\_  
 Gasket: \_\_\_\_\_ mm Fuel: \_\_\_\_\_  
 Plug: \_\_\_\_\_

**Clutch**  
 Clutch shoes: \_\_\_\_\_  
 Spring: \_\_\_\_\_ mm  
 Clutch bell / Spur gear: \_\_\_\_\_

### Front Suspension



### Rear Suspension



### Option Parts List

**Front Upper Arm**  
 Hard  Soft  
 Carbon Cover \_\_\_\_\_ mm

**Front Lower Arm**  
 Ultra Hard  Hard  Medium  Soft  
 Carbon Cover \_\_\_\_\_ mm

**Rear Lower Arm (228015)**  
 Ultra Hard  Hard  Medium  Soft  
 Use \_\_\_\_\_ mm  
 None