

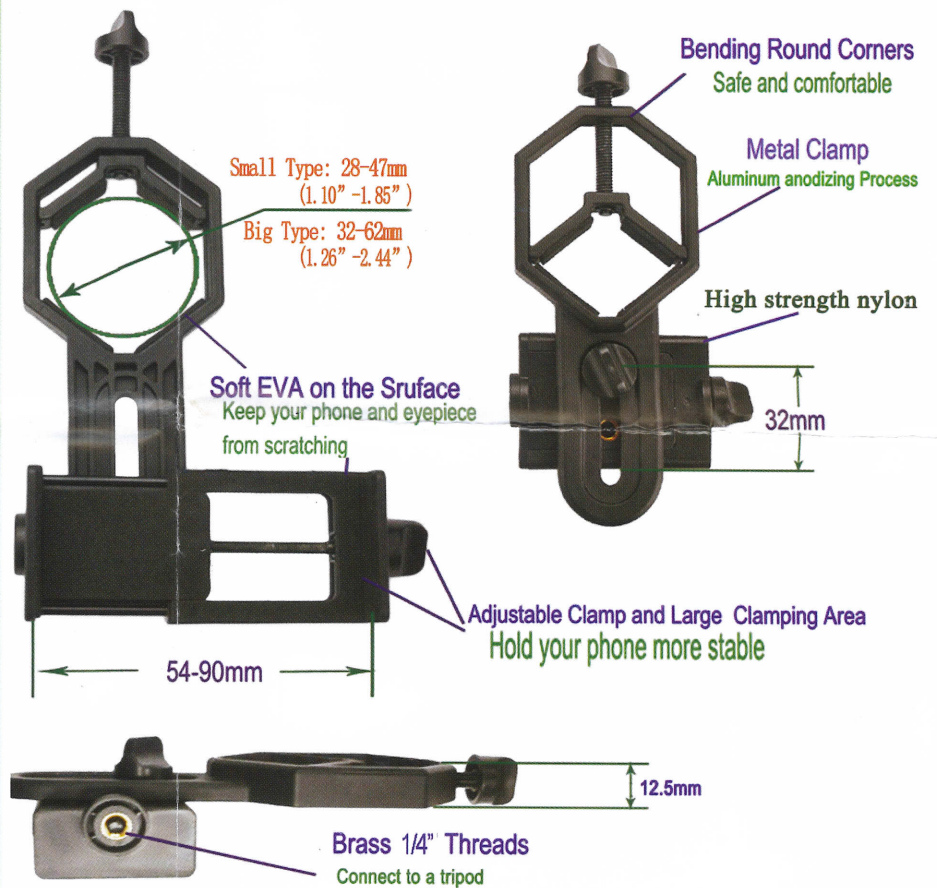
Gosky Universal Digiscoping Smartphone Adapter

The smartphone adapter is specially designed for photography with smartphone and optical device. Having been tested on many optical devices, the adapter makes a good performance.

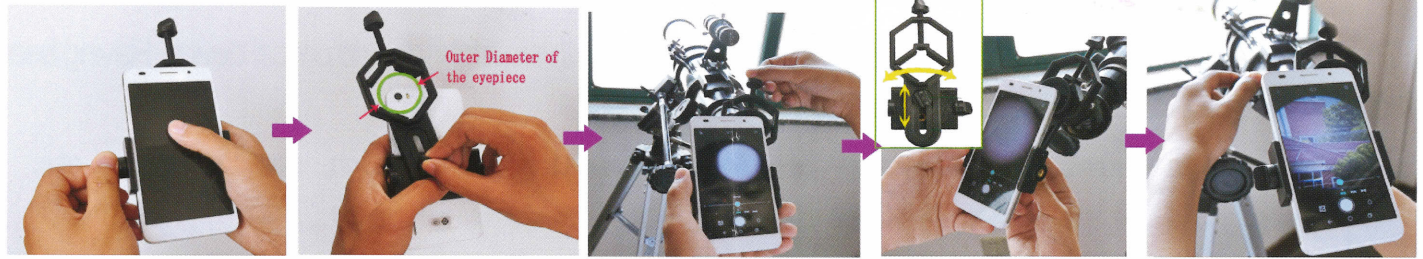
- Compatible with microscope, telescope, binocular, monocular, nightvision, spotting scope etc.
- Two types. **Small type** — for eyepiece diameter 28mm-47mm (1.10" -1.85").
Big Type — for eyepiece diameter 32mm-62mm (1.26" - 2.44").
- Fit most phones on the market. Width: 54-90mm (2.12" -3.54").
- Mainly made of Aluminum. And phone clamp is made of high-strength plastic.



Product Details



Tips For Telescopes



Note: Adjust the telescope and find your target before using the adapter.

1. Couple your phone with smartphone adapter.

2. Estimate the size of the eyepiece. Lacate the phone clamp on the camera. Tighten the back knob of the phone.

3. Put them on the telescope. Tighten the top knob of eyepiece clamp.

4. Adjust the position of the phone and tighten the knob in the back knob until the bright image is in the middle.

5. If the edge of the image is not sharp, loose the top knob to adjust the distance between the eyepiece and the camera. The distance will be different if you use different focal length eyepieces.

6. Use smartphone zoom to get a full image.

Tips For Binoculars



1. Tighten the knob on the phone clamp to connect your phone.

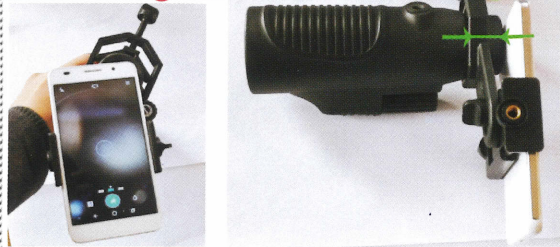
2. Tighten the knob to connect your binocular eyepiece.

3. Adjust the back knob. When the image is in the centre of the screen. Tighten the knob in the back of the phone.

4. If the edge of the image is not sharp, loose the top knob to adjust the distance between the eyepiece and the camera. The distance will be different if you use different focal length eyepieces.

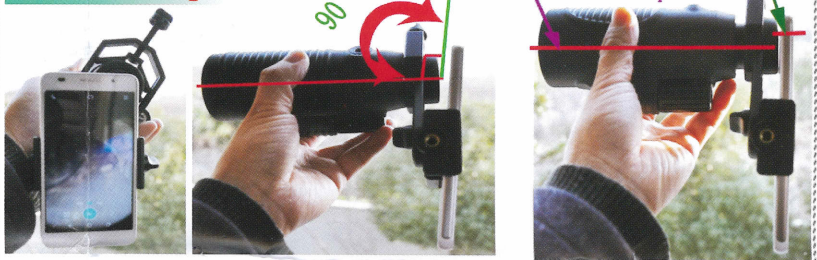
5. Use smartphone zoom to get a full image.

No image?



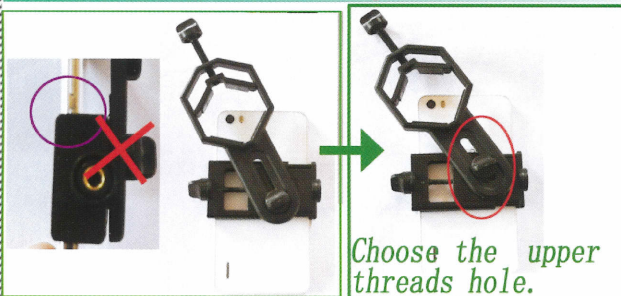
Adjust the distance between the camera to the eyepiece (you can loose the top knob and move the adapter). You can also rotate the twist-up eyecap).

Half image?

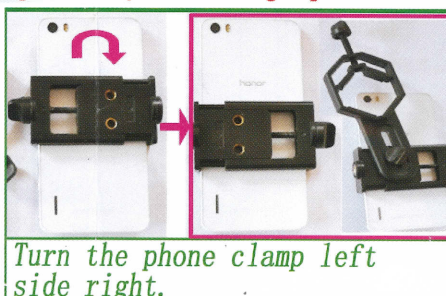


To get a whole image, you need to make the centre line of the phone camera and the centre line of the optical device coincide to each other.

Phone clamp just on the power on button, especially for large phones?



Choose the upper threads hole.



Turn the phone clamp left side right.



Use phone digital zoom to get a full image.