



NBB75DFIB-P

Isolated BNC chassis connector, feedthrough in black D-shape housing, protruding version (makes locking and unlocking of conventional BNC cable connectors easy)

Neutrik's BNC chassis connectors offer a true 75 Ω design for serial and digital (HD) signals. The machined brass connector body provides an extremely rugged and non-abrasive connection over long term use in a D-shape housing (audio industry standard).

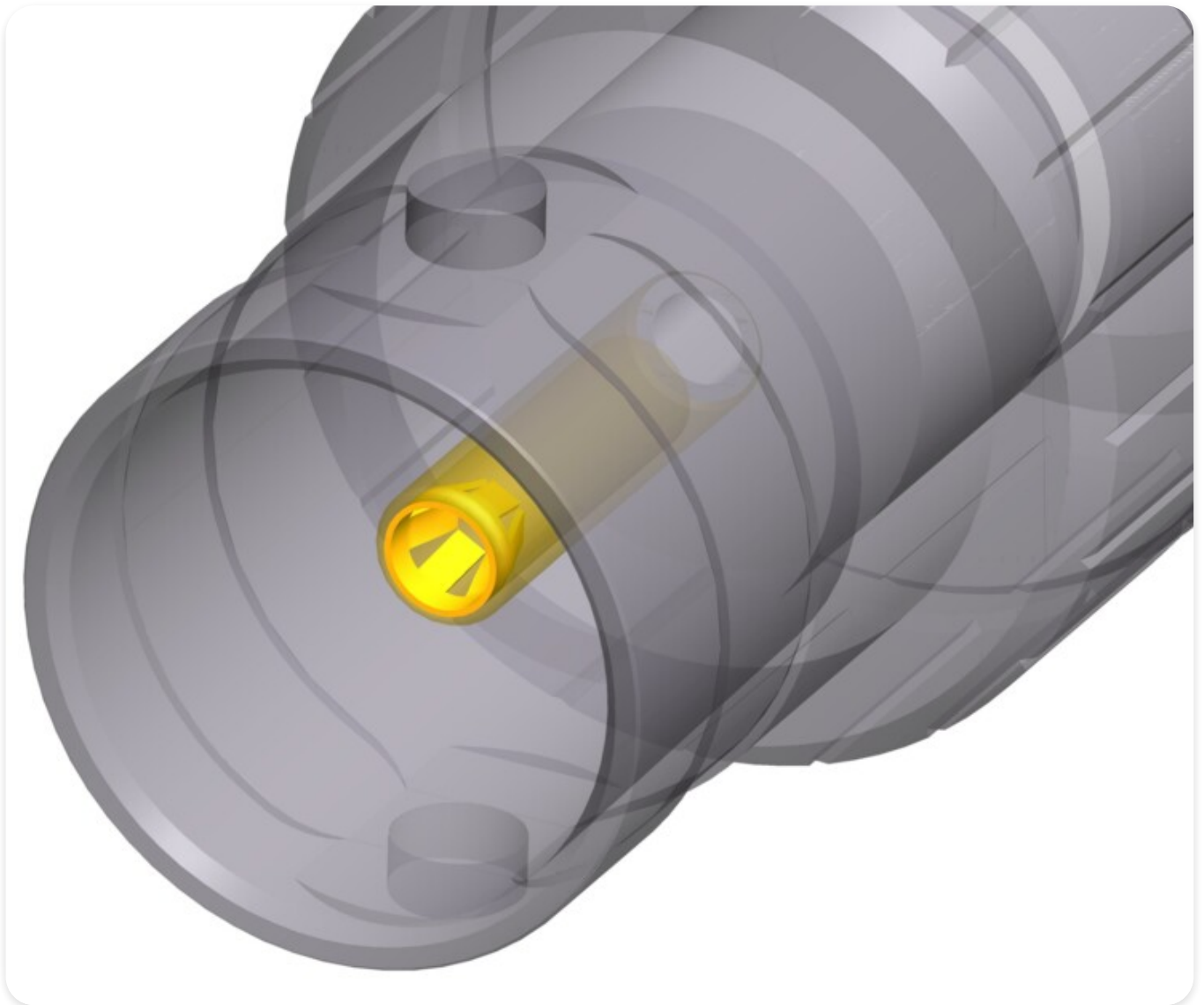
Features & Benefits

- ✓ Gold plated cage type center contact
- ✓ True 75 Ω design meets the stringent HD requirements
- ✓ Isolated panel mount (solves potential grounding problems and prevents common-mode influence with other connections conducted over the same panel ground potential)
- ✓ Standard D-shape housing
- ✓ Protruding bulkhead jack (makes locking and unlocking of conventional BNC cable connectors easy)

- ✓ Color coding possible

New cage type contact

- ✓ Closed contact design - extremely robust
- ✓ Gold plated cage type clip - best possible shielding and lowest contact resistance



Technical Information

Product	
Title	NBB75DFIB-P
Connection Type	BNC 75 Ω
Gender	female

Electrical	
Signal Type	HD, SDI, Video, AES/EBU, Composit, YUV, RGB, RGBH, RGBHV
Contact resistance	$\leq 3 \text{ m}\Omega$ (inner)
Contact resistance	$\leq 2 \text{ m}\Omega$ (outer)
Dielectric strength	1,5 kVdc
Impedance	75 Ω
Insulation resistance	> 5 G Ω
Rated voltage	<50 V
VSWR	≤ 1.03 / $>37 \text{ dB}$ up to 1 GHz ≤ 1.05 / $>32 \text{ dB}$ up to 2 GHz ≤ 1.08 / $>28 \text{ dB}$ up to 3 Ghz

Mechanical	
Insertion force	< 25 N
Lifetime	> 1000 mating cycles
Wiresize	
Locking device	Bayonett
Mounting direction	Front mounting
Chassis shape	D

Material	
Contacts	Brass (CuZn39Pb3), 0.2 µm AuCo (Center contact)
Insert	PTFE
Shell	Polyacetal (POM) (Insulation Sheel)
Shell plating	Optalloy®
D-Shape housing	Zinc diecast (ZnAl4Cu1) gal black chrome plating

Environmental	
Temperature range	-30 °C to +85 °C