



Ruud Achiever® Series Heat Pump



RP14**F Series

Efficiencies: 14-15 SEER/11.5-12.5 EER
Nominal Sizes 1½ to 5 Ton [5.28 to 17.6 kW]
Cooling Capacities 17.3 to 60.5 kBTU
[5.7 to 17.7 kW]



"Proper sizing and installation of equipment is critical to achieve optimal performance. Split system air conditioners and heat pumps must be matched with appropriate coil components to meet Energy Star. Ask your Contractor for details or visit www.energystar.gov."

- The RP14**F series is designed to achieve 14 SEER with Coil only (for the dual fuel market) and PSC Air Handlers match ups.
- New composite base pan – dampens sound, captures louver panels, eliminates corrosion and reduces number of fasteners needed
- Improved tubing design – reduces vibration and stress, making unit quieter and reducing opportunity for leaks
- Optimized defrost characteristics - decrease defrosting and provide better home comfort
- Powder coat paint system – for a long lasting professional finish
- Optimized reversing valve sizing – improves shifting performance for quieter unit operation and increased life of the system
- Enhanced mufflers – help to dissipate vibration energy for quieter unit operation
- Scroll compressor – a sound abating feature added to the compressor significantly reduces noise when system transitions in and out of defrost mode
- Modern cabinet aesthetics – increased curb appeal with visually appealing design
- Curved louver panels – provide ultimate coil protection, enhance cabinet strength, and increased cabinet rigidity
- Optimized fan orifice – optimizes airflow and reduces unit sound
- Rust resistant screws – confirmed through 1500-hour salt spray testing
- PlusOne™ **Expanded Valve Space** – 3"-4"-5" service valve space – provides a minimum working area of 27-square inches for easier access
- Integrated heat pump lift receptacle – allows standard CPVC stands to be inserted into the base
- PlusOne™ **Triple Service Access** – 15" wide, industry leading corner service access – makes repairs easier and faster. The two fastener removable corner allows optimal access to internal unit components. Individual louver panels come out once fastener is removed, for faster coil cleaning and easier cabinet reassembly
- Diagnostic service window with two-fastener opening – provides access to the TXV valves and the heat pump reversing valve before opening the unit.
- External gauge port access – allows easy connection of "low-loss" gauge ports
- Single-row condenser coil – makes unit lighter and allows thorough coil cleaning to maintain "out of the box" performance
- 35% fewer cabinet fasteners and fastener-free base – allow for faster access to internal components and hassle-free panel removal
- Service trays – hold fasteners or caps during service calls
- QR code – provides technical information on demand for faster service calls
- Fan motor harness with extra-long wires – allows unit top to be removed without disconnecting fan wire

TABLE OF CONTENTS

Standard Feature Table	3
Available SKUs	3
Features & Benefits	4-5
Model Number Identification	6-7
Physical Data	8
Electrical Data	8
Accessories	9
Weighted Sound Power	9
Thermostats.....	9
Unit Dimensions.....	10
Clearances	11
Wiring Diagrams	12
Application Guidelines	12
Refrigerant Line Size Information	13-16
Performance Data	17-46
Guide Specifications	47
Limited Warranty	48

Standard Feature Table

Feature	18	24	30	36	42	48	60
R-410a Refrigerant	√	√	√	√	√	√	√
Maximum SEER	14.5	14.5	14.5	14.5	14.5	14.5	14.5
Maximum EER	12.0	12.0	12.0	12.0	12.0	12.0	12.0
Maximum HSPF	8.5	8.5	8.5	8.5	8.5	8.5	8.5
Scroll Compressor	√	√	√	√	√	√	√
Field Installed Filter Drier	√	√	√	√	√	√	√
Front Seating Service Valves	√	√	√	√	√	√	√
High Pressure Switch	√	√	√	√	√	√	√
Low Pressure Switch	√	√	√	√	√	√	√
Internal Pressure Relief Valve	√	√	√	√	√	√	√
Internal Thermal Overload	√	√	√	√	√	√	√
Long Line capability	√	√	√	√	√	√	√
Low Ambient capability with Kit	√	√	√	√	√	√	√
3-4-5 Service Valve Access	√	√	√	√	√	√	√
Composite Basepan	√	√	√	√	√	√	√
2 Screw Control Box Access	√	√	√	√	√	√	√
15" Access to Internal Components	√	√	√	√	√	√	√
Quick release louver panel design	√	√	√	√	√	√	√
No fasteners to remove along bottom	√	√	√	√	√	√	√
Optimized Venturi Airflow	√	√	√	√	√	√	√
Single row condenser coil	√	√	√	√	√	√	√
Powder coated paint	√	√	√	√	√	√	√
Rust resistant screws	√	√	√	√	√	√	√
QR code	√	√	√	√	√	√	√
External gauge ports	√	√	√	√	√	√	√
Service trays	√	√	√	√	√	√	√

√ = Standard

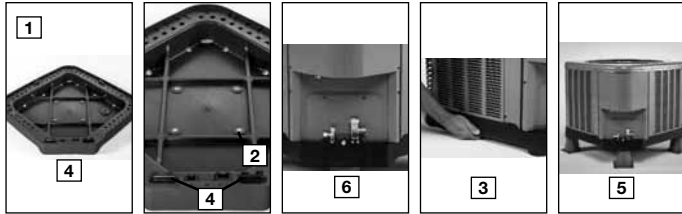
Available SKU

Available Models	Description
RP1418FJ1NA	<i>Achiever</i> ® 1 1/2 ton 14 SEER Single-Stage Heat Pump-208/230/1/60
RP1424FJ1NA	<i>Achiever</i> ® 2 ton 14 SEER Single-Stage Heat Pump-208/230/1/60
RP1430FJ1NA	<i>Achiever</i> ® 2 1/2 ton 14 SEER Single-Stage Heat Pump-208/230/1/60
RP1436FJ1NA	<i>Achiever</i> ® 3 ton 14 SEER Single-Stage Heat Pump-208/230/1/60
RP1442FJ1NA	<i>Achiever</i> ® 3 1/2 ton 14 SEER Single-Stage Heat Pump-208/230/1/60
RP1448FJ1NA	<i>Achiever</i> ® 4 ton 14 SEER Single-Stage Heat Pump-208/230/1/60
RP1460FJ1NA	<i>Achiever</i> ® 5 ton 14 SEER Single-Stage Heat Pump-208/230/1/60
RP1436FC1NA	<i>Achiever</i> ® 3 ton 14 SEER Single-Stage Heat Pump-208/230/3/60
RP1442FC1NA	<i>Achiever</i> ® 3 1/2 ton 14 SEER Single-Stage Heat Pump-208/230/3/60
RP1448FC1NA	<i>Achiever</i> ® 4 ton 14 SEER Single-Stage Heat Pump-208/230/3/60
RP1460FC1NA	<i>Achiever</i> ® 5 ton 14 SEER Single-Stage Heat Pump-208/230/3/60

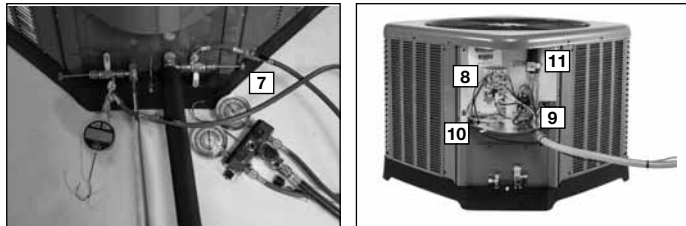
Introduction to RP14**F Heat Pump

The RP14**F is our 14.5 SEER heat pump and is part of the Ruud heat pump product line that extends from 14 to 20 SEER. This highly featured and reliable heat pump is designed for years of reliable, efficient operation when matched with Ruud indoor aluminum evaporator coils and furnaces or air handler units with aluminum evaporators.

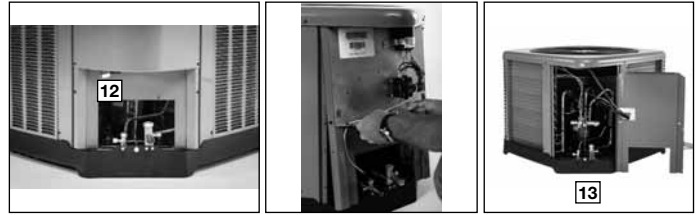
Our unique composite base (1) reduces sound emission, eliminates rattles, significantly reduces fasteners, eliminates corrosion and has integrated brass compressor attachment inserts (2). Furthermore it has incorporated into the design, water management features, means for hand placement (3) for unit maneuvering, screw trays (4) and inserts for lifting unit off pad. (5)



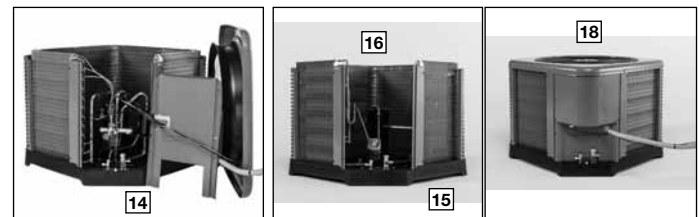
Service Valves (6) are rigidly mounted in the composite base with 3" between suction and discharge valves, 4" clearance below service valves and a minimum of 5" above the service valves, creating industry leading installation ease. The minimum 27-square inches around the service valves allows ample room to remove service valve schrader prior to brazing, plenty of clearance for easy brazing of the suction and discharge lines to service valve outlets, easy access and hookup of low loss refrigerant gauges (7), and access to the service valve caps for opening. For applications with long-line lengths up to 250 feet total equivalent length, up to 200 feet heat pump above evaporator, or up to 80 feet evaporator above heat pump, the long-line instructions in the installation manual should be followed.



Controls are accessed from the corner of the unit by removing only two fasteners from the control access cover, revealing the industry's largest 15" wide and 14" tall control area (8). With all this room in the control area the high voltage electrical whip (9) can easily be inserted through the right size opening in the bottom of the control area. Routing it leads directly to contractor lugs for connection. The low voltage control wires (10) are easily connected to units low voltage wiring. If contactor, defrost control or capacitor (11) needs to be replaced there is more than adequate space to make the repair. Furthermore, the service window (12) can be removed to access the TXV and reversing valve by removing two screws or the entire corner can be removed providing ultimate access to the TXV or reversing valve. (13)



If in the rare event, greater access is needed to internal components, such as the compressor, the entire corner of the unit can be removed along with the top cover assembly to have unprecedented access to interior of the unit (14). Extra wire length is incorporated into each outdoor fan and compressor so top cover and control panel can be positioned next to unit. With minimal effort the plug panel can be removed from the compressor and the outdoor fan wires can be removed from the capacitor to allow even more uncluttered access to the interior of the unit (15). Outdoor coils heights range from as short as 25" to 45", aiding access to the compressor. Disassembly to this degree and complete reassembly only takes a first time service technician less than 10 minutes. (18)



All units utilize strong formed louver panels which provide industry leading coil protection. Louver removal for coil cleaning is accomplished by removing one screw and lifting the panel out of the composite base pan (17). All RP14**F units utilize single row coils (16) making cleaning easy and complete, restoring the performance of the heat pump back to out of the box performance levels year after year.

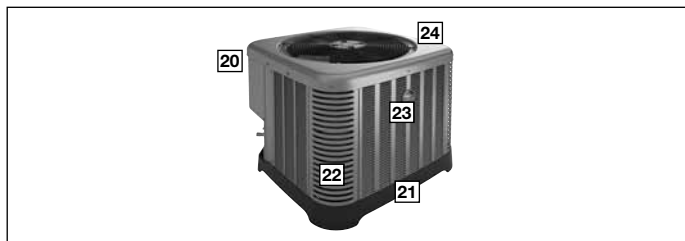


The outdoor fan motor has sleeve bearings and is inherently protected. The motor is totally enclosed for maximum protection from weather, dust and corrosion. Access to the outdoor fan is made by removing four fasteners from the fan grille. The outdoor fan can be removed from the fan grille by removing 4 fasteners in the rare case outdoor fan motor fails.

Each cabinet has optimized composite (19) fan orifice assuring efficient and quiet airflow.

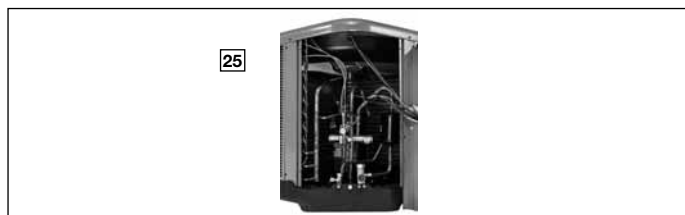


The entire cabinet has powder post paint (20) achieving 1000 hour salt spray rating, allowing the cabinet to retain its aesthetics throughout its life.



Scroll compressors with standard internal pressure relief and internal thermal overload are used on all capacities assuring longevity of high efficient and quiet operation for the life of the product. All RP14**F Heat Pumps come standard with high and low pressure switches.

Each unit is shipped with filter drier for field installation and will trap any moisture or dirt that could contaminate the refrigerant system.



All cabinets have industry leading structural strength due to the composite base pan (21), interlocking corner post (22), formed curved louver panels (23) and drawn top cover (24) making it the most durable cabinet on the market today.

Each RP14**F capacity has undergone rigorous psychrometric testing to assure performance ratings of capacity, SEER, EER and HSPF per AHRI Standard 210/240 rating conditions. Also each unit bears the UL mark and each unit is certified to UL 1995 safety standards.



Each unit has undergone specific strain and modal testing to assure tubing (25) is outside the units natural frequency and that the suction and discharge lines connected to the compressor withstand any starting, steady state operation or shut down forces imposed by the compressor.

All units have been sound tested in sound chamber to AHRI 270 rating conditions, and A-weighted Sound Power Level tables produced, assuring units have acceptable noise qualities (see page 9). Each unit has been ran in cooling operation at 95°F and 47°F and sound ratings for the RP14**F range from as low as 73 dBA to 79 dBA.

All units have been ship tested to assure units meet stringent "over the road" shipping conditions.

As manufactured all units in the RP14**F family have cooling capability to 55 °F. Addition of low ambient control will allow the unit to operate down to 0°F.

Factory testing is performed on each unit. All component parts meet well defined specification and continually go through receiving inspections. Each component installed on a unit is scanned, assuring correct component utilization for a given unit capacity and voltage. All condenser coils are leak tested with pressurization test to 550#’s and once installed and assembled, each units’ complete refrigerant system is helium leak tested. All units are fully charged from the factory for up to 15 feet of piping. All units are factory run tested. The RP14**F has a 10-year conditional compressor and parts warranty (registration required).

Optional Accessories (Refer to accessory chart for model #)

Compressor Crankcase Heater

- Protects against refrigerant migration that can occur during low ambient operation

Compressor Sound Cover

- Reinforced vinyl compressor cover containing a 1½ inch thick batt of fiberglass insulation
- Open edges are sealed with a one-inch wide hook and loop fastening tape

Compressor hard Start Kit

- Single-phase units are equipped with a PSC compressor motor. This type of motor normally does not need a potential relay and start capacitor
- In conditions such as low voltage, this kit may be required to increase the compressor starting torque

Low Ambient Kit

- Heat Pump operate satisfactorily in the cooling mode down to 55°F outdoor air temperature without any additional controls
- Kit can be added in the field enabling unit to operate properly down to 0° in the cooling mode
- Crankcase heater and freezestat should be installed on compressors equipped with a low ambient kit

3"/6"/12"

- Gray high density polyethylene feet are available to raise unit off of mounting surface away from moisture

Heat Pumps

<u>R</u>	<u>P</u>	<u>14</u>	<u>24</u>	<u>F</u>	<u>J</u>	<u>1</u>	<u>N</u>	<u>A</u>	<u>*</u>
Brand	Product Category	SEER	Capacity BTU/HR	Major Series*	Voltage	Type	Controls	Minor Series**	Option Code
Ruud	P - Heat Pump	13 - 13 SEER 14 - 14 SEER 15 - 15 SEER 17 - 17 SEER 20 - 20 SEER	18 - 18,000 [5.28 kW] 24 - 24,000 [7.03 kW] 30 - 30,000 [8.79 kW] 36 - 36,000 [10.55 kW] 42 - 42,000 [12.31 kW] 48 - 48,000 [14.07 kW] 60 - 60,000 [17.58 kW]	A - 1st Design B - 2nd Design F - Reverse Furnace Coil/PSH AHU Series	J - 1ph, 208-230/60 C - 3ph, 208-230/60 D - 3ph, 460/60	1 - Single-stage V - Inverter P - Piston	C - Communicating N - Non-communicating	A - 1st Design	N/A

Air Conditioners (For Reference)

<u>R</u>	<u>A</u>	<u>14</u>	<u>24</u>	<u>A</u>	<u>J</u>	<u>1</u>	<u>N</u>	<u>A</u>	<u>*</u>
Brand	Product Category	SEER	Capacity BTU/HR [kW]	Major Series*	Voltage	Type	Controls	Minor Series**	Option Code
Ruud	A - Air Conditioners	13 - 13 SEER 14 - 14 SEER 16 - 16 SEER 17 - 17 SEER 20 - 20 SEER	18 - 18,000 [5.28 kW] 24 - 24,000 [7.03 kW] 30 - 30,000 [8.79 kW] 36 - 36,000 [10.55 kW] 42 - 42,000 [12.31 kW] 48 - 48,000 [14.07 kW] 60 - 60,000 [17.58 kW]	A - 1st Design	J - 1ph, 208-230/60 C - 3ph, 208-230/60 D - 3ph, 460/60	1 - Single-stage 2 - Two-stage V - Inverter	C - Communicating N - Non-communicating	A - 1st Design	N/A

Furnace Coils (For Reference)

<u>R</u>	<u>C</u>	<u>E</u>	<u>17</u>	<u>24</u>	<u>S</u>	<u>I</u>	<u>A</u>	<u>M</u>	<u>C</u>	<u>A</u>	<u>*</u>
Brand	Product Category	Type	Width	Capacity BTU/HR	Efficiency	Metering Device	Major Series*	Orientation	Casing	Minor Series**	Option Code
Ruud	C - Evap Coil	F - Furn Coil H - Air-Handler Coil	14 - 14" 17 - 17.5" 21 - 21" 24 - 24.5"	24 - 24,000 [7.03 kW] 36 - 36,000 [10.55 kW] 48 - 48,000 [14.07 kW] 60 - 60,000 [17.58 kW]	S - Standard Eff. M - Mid Eff. H - High Eff.	T-TXV E-EEV P-Piston	A - 1st Design	M - Multi-poise	C - Cased U - Uncased	A - 1st Design	N/A

[] Designates Metric Conversions

90%+ AFUE Gas Furnaces (For Reference)

<u>R</u>	<u>96</u>	<u>V</u>	<u>A</u>	<u>70</u>	<u>2</u>	<u>3</u>	<u>17</u>	<u>M</u>	<u>S</u>	<u>A</u>
Brand	Series	Motor	Major Rev	Input BTU/HR [kW]	Stages	Air Flow	Cabinet Width	Configuration	Nox	Minor Rev
Ruud	90 - 90 AFUE	V - Variable speed	A - 1st Design	040 - 42,000 [12.31 kW]	1 - Single-stage	3 - up to 3 ton	14 - 14"	M - Multi-poise	X - Low Nox	A - 1st Design
	92 - 92 AFUE	T - Constant Torque (X-13)		060 - 56,000 [16.41 kW]	2 - Two-stage	5 - 3 1/2 up to 5 ton	17 - 17.5"		S - Standard	
	95 - 95 AFUE			070 - 70,000 [20.51 kW]	M - Modulating		21 - 21"			
	96 - 96 AFUE			085 - 84,000 [24.62 kW]			24 - 24.5"			
	97 - 97 AFUE	P - PSC		100 - 98,000 [28.72 kW]						
				115 - 112,000 [32.82 kW]						

80% AFUE Gas Furnaces (For Reference)

<u>R</u>	<u>80</u>	<u>2</u>	<u>V</u>	<u>A</u>	<u>075</u>	<u>3</u>	<u>17</u>	<u>M</u>	<u>S</u>	<u>A</u>
Brand	Series	Stages	Motor	Major Rev	Input BTU/HR [kW]	Air Flow	Cabinet Width	Configuration	Nox	Minor Rev
Ruud	80 - 80+ AFUE	1 - Single-stage	V - Variable speed	A - 1st Design	050 - 50,000 [15 kW]	3 - up to 3 ton	14 - 14"	M - Multi	X - Low Nox	A - 1st Design
		2 - Two-stage	T - Constant Torque (X-13)		075 - 75,000 [22 kW]	4 - 2 1/2 to 4 ton	17 - 17.5"	D - Down	S - Standard	
			P - PSC premium		100 - 100,000 [29 kW]	5 - 3 1/2 up to 5 ton	21 - 21"	Z - Down & zero clearance		
			S - PSC standard		125 - 125,000 [37 kW]		24 - 24.5"	down flow		
					150 - 150,000 [44 kW]					

Air Handlers (For Reference)

<u>R</u>	<u>H</u>	<u>1</u>	<u>T</u>	<u>36</u>	<u>17</u>	<u>S</u>	<u>I</u>	<u>A</u>	<u>N</u>	<u>A</u>	<u>000</u>	<u>*</u>
Brand	Product Category	Stages of Airflow	Motor Type	Capacity BTU/HR	Width	Coil Size	Metering Device	Major Series*	Controls	Voltage	Minor Series**	Factory Heat Cap Code
Ruud	H - Air Handler	1 - Single-stage	V - Variable Speed	24 - 24,000 [7.03 kW]	14 - 14"	S - Standard	T - TEV	A - 1st Design	C - Communicating	A - 1ph, 115/60	A - 1st Design	00 - no factory heat with option code
	F - Front Return Air Handler	2 - Two-stage	T - Constant Torque	36 - 36,000 [10.55 kW]	17 - 17.5"	Efficiency	E - EEV		N - Non-communicating	J - 1ph, 208-240/60	Design	
		M - Modulating	P - PSC	48 - 48,000 [14.07 kW]	21 - 21"	M - Mid	P - Piston			D - 3ph, 480/60		
				60 - 60,000 [17.58 kW]	24 - 24.5"	H - High Efficiency						

[] Designates Metric Conversions

Physical Data							
Model No.#	RP1418F	RP1424F	RP1430F	RP1436F	RP1442F	RP1448F	RP1460F
Nominal Tonnage	1.5	2.0	2.5	3.0	3.5	4.0	5.0
Valve Connections							
Liquid Line O.D. – in.	3/8	3/8	3/8	3/8	3/8	3/8	3/8
Suction Line O.D. – in.	3/4	3/4	3/4	3/4	7/8	7/8	7/8
Refrigerant (R410A) furnished oz.¹	99	105	116	118	139	108	217
Compressor Type	Scroll						
Outdoor Coil							
Net face area – Outer Coil	9.1	11.1	17.3	19.8	19.8	24.2	28.3
Net face area – Inner Coil	—	—	—	—	—	—	—
Tube diameter – in.	3/8	3/8	3/8	3/8	3/8	3/8	3/8
Number of rows	1	1	1	1	1	1	1
Fins per inch	20	20	20	20	20	20	20
Outdoor Fan							
Diameter – in.	20	20	24	24	24	26	26
Number of blades	2	3	3	3	3	3	3
Motor hp	1/8	1/8	1/5	1/3	1/5	1/3	1/5
CFM	2411	2478	3852	3120	3815	4380	3655
RPM	1077	1075	825	910	825	870	850
watts	151	138	197	135	202	266	274
Shipping weight – lbs.	156	159	167	179	187	215	243
Operating weight – lbs.	133	152	160	172	180	208	236

Electrical Data							
Line Voltage Data (Volts-Phase-Hz)	208/230-1-60	208/230-1-60	208/230-1-60	208/230-1-60	208/230-1-60	208/230-1-60	208/230-1-60
Maximum overcurrent protection (amps)²	15	25	25	35	40	40	50
Minimum circuit ampacity³	12	15	18	23	24	26	31
Compressor							
Rated load amps	9	10.9	12.8	15.4	17.9	18.5	23.7
Locked rotor amps	47.5	62.9	67.8	83.9	112	124	152.5
Condenser Fan Motor							
Full load amps	0.7	0.7	1	2.8	1	2.8	1
Locked rotor amps	1.2	1.3	1.2	—	1.2	—	2.3
Line Voltage Data (Volts-Phase-Hz)	—	—	—	208/230-3-60	208/230-3-60	208/230-3-60	208/230-3-60
Maximum overcurrent protection (amps) ²	—	—	—	25	30	30	35
Minimum circuit ampacity ³	—	—	—	16	18	21	21
Compressor							
Rated load amps	—	—	—	10.4	13.5	13.8	15.9
Locked rotor amps	—	—	—	73	88	83.1	110

¹Refrigerant charge sufficient for 15 ft. length of refrigerant lines. For longer line set requirements see the installation instructions for information about set length and additional refrigerant charge required.

²HACR type circuit breaker or fuse.

³Refer to National Electrical Code manual to determine wire, fuse and disconnect size requirements.

Accessories

Model No.	RP1418F	RP1424F	RP1430F	RP1436F	RP1442F	RP1448F	RP1460F
Compressor crankcase heater	44-17402-44	44-17402-44	44-17402-44	44-17402-44	44-17402-45	Factory Standard	Factory Standard
Low ambient control	RXAD-A08	RXAD-A08	RXAD-A08	RXAD-A08	RXAD-A08	RXAD-A08	RXAD-A08
Compressor sound cover	68-23427-26	68-23427-26	68-23427-26	68-23427-26	68-23427-25	68-23427-25	68-23427-25
Compressor hard start kit	SK-A1	SK-A1	SK-A1	SK-A1	SK-A1	SK-A1	SK-A1
Low pressure control*	Factory Standard	Factory Standard	Factory Standard	Factory Standard	Factory Standard	Factory Standard	Factory Standard
High pressure control*	Factory Standard	Factory Standard	Factory Standard	Factory Standard	Factory Standard	Factory Standard	Factory Standard
Liquid Line Solenoid (24 VAC, 50/60 Hz)	Solenoid Valve	200RD2T3TVLC	200RD2T3TVLC	200RD2T3TVLC	200RD2T3TVLC	200RD2T3TVLC	200RD3T3TVLC
	Solenoid Coil	61-AMG24V	61-AMG24V	61-AMG24V	61-AMG24V	61-AMG24V	61-AMG24V
	Bi-flow kit*	KS30387	KS30387	KS30387	KS30387	KS30387	KS30387
Liquid Line Solenoid (120/240 VAC, 50/60 Hz)	Solenoid Valve	200RD2T3TVLC	200RD2T3TVLC	200RD2T3TVLC	200RD2T3TVLC	200RD2T3TVLC	200RD3T3TVLC
	Solenoid Coil	61-AMG120/240V	61-AMG120/240V	61-AMG120/240V	61-AMG120/240V	61-AMG120/240V	61-AMG120/240V
	Bi-flow kit*	KS30387	KS30387	KS30387	KS30387	KS30387	KS30387
Achiever Top Cap w/Label	91-101123-21	91-101123-21	91-101123-21	91-101123-21	91-101123-21	91-101123-21	91-101123-21
Heat Pump Riser – 6 inch	686020	686020	686020	686020	686020	686020	686020

*Bi-flow kits are required when installing a liquid line solenoid on a heat pump.

Weighted Sound Power Level (dBA)

Unit Size – Voltage, Series	Standard Rating (dBA)	TYPICAL OCTAVE BAND SPECTRUM (dBA without tone adjustment)						
		125	250	500	1000	2000	4000	8000
RP1418F	75.2	53.8	60.2	64.3	66	62.5	57.6	53.5
RP1424F	75.8	53.9	60.6	65.8	66.4	63.0	57.8	50.2
RP1430F	73.3	51.8	56.6	63.4	62.9	60.8	55.9	51.5
RP1436F	74.7	48.9	54.3	63.1	66.4	62.2	53.2	53.2
RP1442F	74.1	52.9	55.9	64	63.5	61.4	58	52.1
RP1448F	76.5	55.8	59	68.2	66.3	64.3	60.5	55.4
RP1460F	73.9	58.9	55.7	63.4	63.3	61.5	58.6	56.4

NOTE: Tested in accordance with AHRI Standard 270-08 (not listed in AHRI)

Thermostats



200-Series *
Programmable



300-Series *
Deluxe
Programmable

400-Series *
Special Applications/
Programmable



500-Series *
Communicating/
Programmable

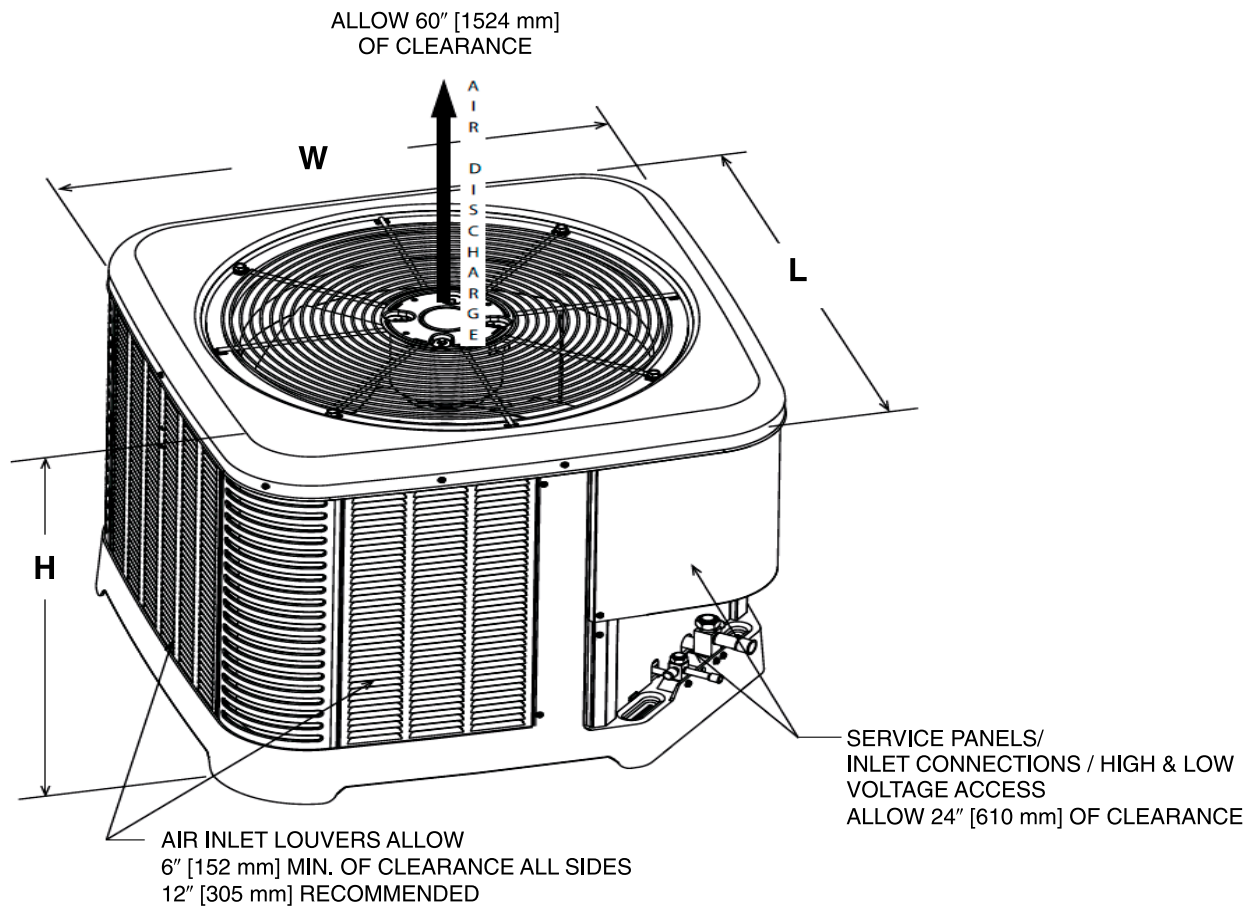
Brand	Descriptor (3 Characters)	Series (3 Characters)	System (2 Characters)	Type (2 Characters)
UHC	-	TST	213	UN
UHC=Ruud	TST=Thermostat	200=Programmable 300=Deluxe Programmable 400=Special Applications/ Programmable 500=Communicating/ Programmable	GE=Gas/Electric UN=Universal (AC/HP/GE) MD=Modulating Furnace DF=Dual Fuel CM=Communicating	SS=Single-Stage MS=Multi-Stage

* Photos are representative. Actual models may vary.

For detailed thermostat match-up information,
see specification sheet form number T22-001.

Unit Dimensions

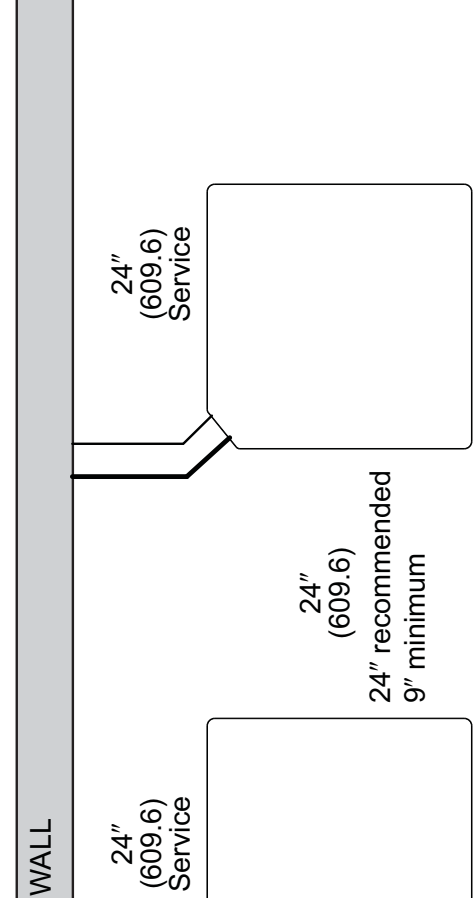
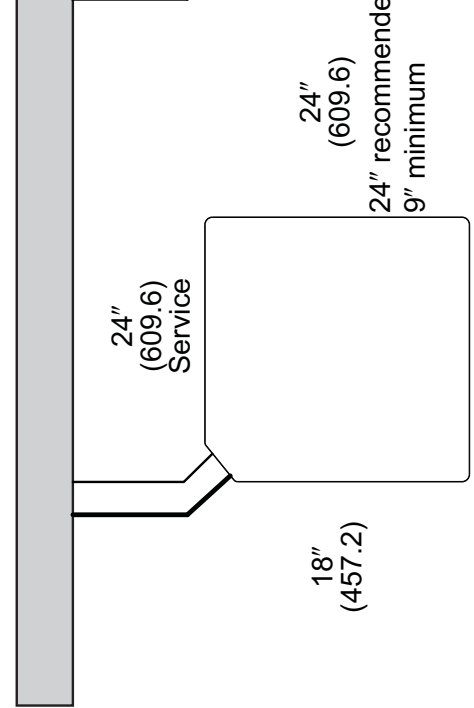
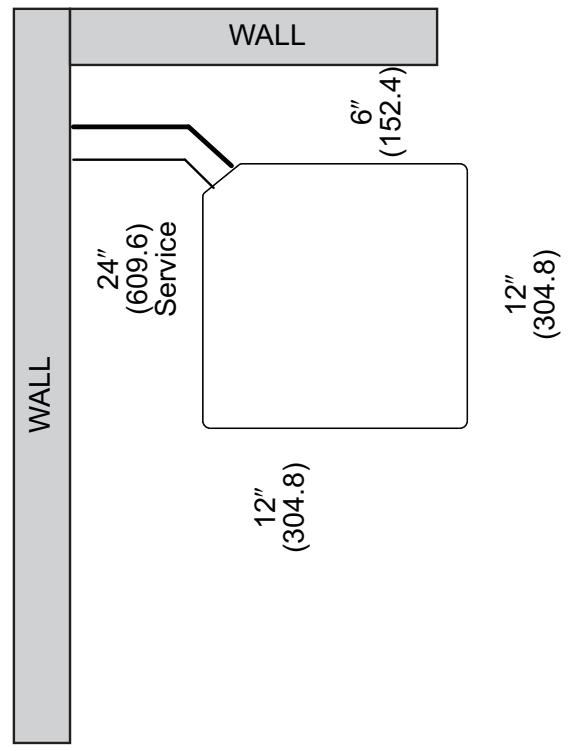
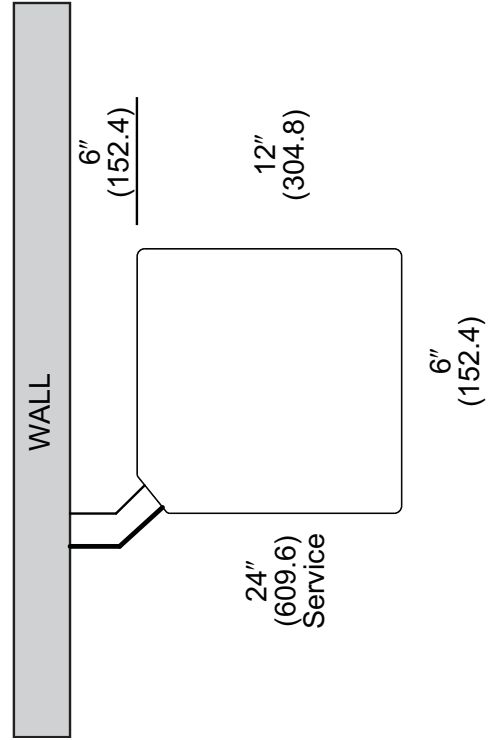
MODEL NUMBER	OPERATING						SHIPPING					
	H (Height)		L (Length)		W (Width)		H (Height)		L (Length)		W (Width)	
	INCHES	mm	INCHES	mm	INCHES	mm	INCHES	mm	INCHES	mm	INCHES	mm
RP1418F	25	635	29.75	755	29.75	755	26.75	679	32.38	822	32.38	822
RP1424F	25	635	29.75	755	29.75	755	26.75	679	32.38	822	32.38	822
RP1430F	31	787	33.75	857	33.75	857	32.75	831	32.38	822	32.38	822
RP1436F	35	889	33.75	857	33.75	857	36.75	933	36.38	924	36.38	924
RP1442F	35	889	33.75	857	33.75	857	36.75	933	36.38	924	36.38	924
RP1448F	39	990	35.75	908	35.75	908	40.75	1035	38.38	974	38.38	974
RP1460F	45	1143	35.75	908	35.75	908	46.75	1187	38.38	974	38.38	974



[] Designates Metric Conversions

ST-A1226-02-00

CLEARANCES

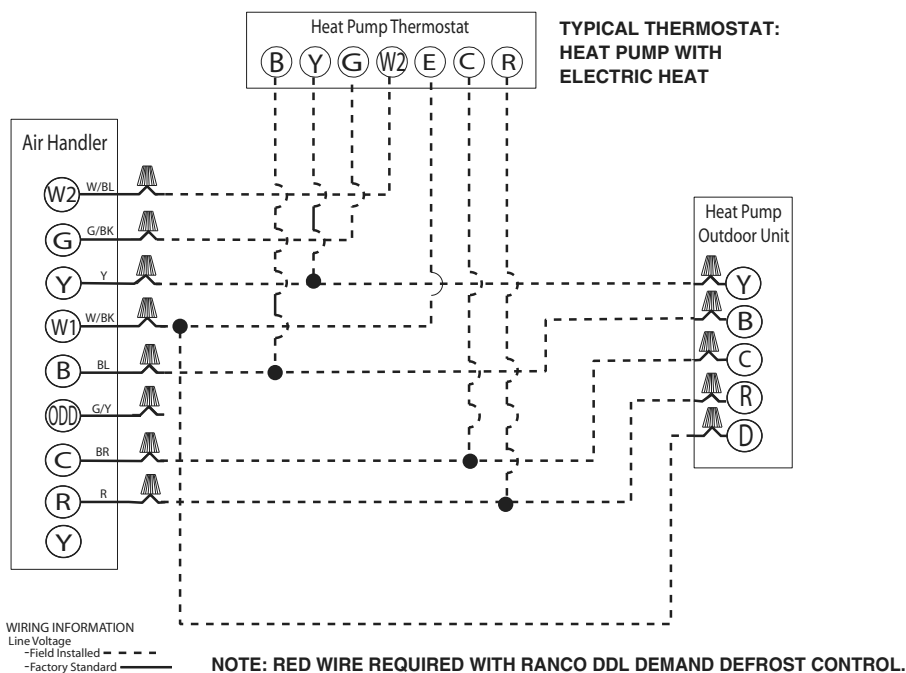


NOTE: NUMBERS IN () = mm

IMPORTANT: When installing multiple units in an alcove, roof well or partially enclosed area, ensure there is adequate ventilation to prevent re-circulation of discharge air.

Control Wiring

FIGURE 4
CONTROL WIRING FOR AIR HANDLER



**TYPICAL THERMOSTAT:
HEAT PUMP WITH
ELECTRIC HEAT**

NOTES:

1. Jumper "E" to "W2" to transfer control of supplemental heat to 1st stage when the emergency heat switch is on.
2. This wire turns on heat for defrost, omit for most economical operation.
3. Wire with colored tracing stripe.

Application Guidelines

1. Intended for outdoor installation with free air inlet and outlet. Outdoor fan external static pressure available is less than 0.01 -in. wc.
2. Minimum outdoor operation air temperature for cooling mode without low-ambient operation accessory is 55°F (12.8°C).
3. Maximum outdoor operating air temperature is 125°F (51.7°C).
4. For reliable operation, unit should be level in all horizontal planes.
5. Use only copper wire for electric connections at unit. Aluminum and clad aluminum are not acceptable for the type of connector provided.
6. Do not apply capillary tube indoor coils to these units.
7. Factory – supplied filter drier must be installed.

Heat Pump Refrigerant Line Size Information

R-410A System Capacity Model	Liquid Line Size Connection Size (Inch I.D.) (mm)	Liquid Line Size (Inch O.D.) (mm)	Liquid Line Size Elevation (Above or Below) Indoor Coil Total Equivalent Length - Feet [m]															
			25 [7.62]	50 [15.24]	75 [22.86]	100 [30.48]	125 [45.72]	150 [45.72]	175 [53.34]	200 [60.96]	225 [68.58]	250 [76.20]	275 [83.82]	300 [91.44]				
			Maximum Vertical Separation - Feet [m]															
18A	3/8" [9.53]	1/4 [6.35]	25 [7.62]	50 [15.24]	60 [18.29]	35 [10.67]	20 [6.1]	N/R	N/R	N/R	N/R	N/R	N/R	N/R	N/R	N/R	N/R	
		5/16 [7.94]	25 [7.62]	50 [15.24]	75 [22.86]	85 [25.91]	80 [24.38]	75 [22.86]	70 [21.34]	65 [19.81]	60 [18.29]	55 [16.76]	50 [15.24]	45 [13.72]	40 [12.19]	35 [10.67]	30 [9.14]	
		3/8 [9.53]	25 [7.62]	50 [15.24]	75 [22.86]	100 [30.48]	100 [30.48]	95 [28.96]	90 [27.43]	85 [25.91]	80 [24.38]	75 [22.86]	70 [21.34]	65 [19.81]	60 [18.29]	55 [16.76]	50 [15.24]	
		7/16 [11.12]	25 [7.62]	50 [15.24]	75 [22.86]	100 [30.48]	105 [32]	100 [30.48]	100 [30.48]	95 [28.96]	90 [27.43]	85 [25.91]	80 [24.38]	75 [22.86]	70 [21.34]	65 [19.81]	60 [18.29]	55 [16.76]
		1/2 [12.71]	25 [7.62]	50 [15.24]	75 [22.86]	100 [30.48]	105 [32]	105 [32]	105 [32]	105 [32]	105 [32]	105 [32]	105 [32]	105 [32]	105 [32]	105 [32]	105 [32]	105 [32]
		N/R	25 [7.62]	50 [15.24]	75 [22.86]	100 [30.48]	105 [32]	105 [32]	105 [32]	105 [32]	105 [32]	105 [32]	105 [32]	105 [32]	105 [32]	105 [32]	105 [32]	105 [32]
18B	3/8" [9.53]	1/4 [6.35]	25 [7.62]	50 [15.24]	55 [16.76]	40 [12.19]	25 [7.62]	10 [3.05]	N/R	N/R	N/R	N/R	N/R	N/R	N/R	N/R	N/R	
		5/16 [7.94]	25 [7.62]	50 [15.24]	75 [22.86]	85 [25.91]	80 [24.38]	75 [22.86]	70 [21.34]	65 [19.81]	60 [18.29]	55 [16.76]	50 [15.24]	45 [13.72]	40 [12.19]	35 [10.67]		
		3/8 [9.53]	25 [7.62]	50 [15.24]	75 [22.86]	100 [30.48]	95 [28.96]	95 [28.96]	90 [27.43]	85 [25.91]	80 [24.38]	75 [22.86]	70 [21.34]	65 [19.81]	60 [18.29]	55 [16.76]	50 [15.24]	
		7/16 [11.12]	25 [7.62]	50 [15.24]	75 [22.86]	100 [30.48]	100 [30.48]	95 [28.96]	95 [28.96]	90 [27.43]	85 [25.91]	80 [24.38]	75 [22.86]	70 [21.34]	65 [19.81]	60 [18.29]	55 [16.76]	
		1/2 [12.71]	25 [7.62]	50 [15.24]	75 [22.86]	100 [30.48]	105 [32]	100 [30.48]	100 [30.48]	95 [28.96]	90 [27.43]	85 [25.91]	80 [24.38]	75 [22.86]	70 [21.34]	65 [19.81]	60 [18.29]	
		N/R	25 [7.62]	50 [15.24]	75 [22.86]	100 [30.48]	105 [32]	105 [32]	105 [32]	105 [32]	105 [32]	105 [32]	105 [32]	105 [32]	105 [32]	105 [32]	105 [32]	
24A	3/8" [9.53]	1/4 [6.35]	25 [7.62]	50 [15.24]	30 [9.14]	N/R	N/R	N/R	N/R	N/R	N/R	N/R	N/R	N/R	N/R	N/R	N/R	
		5/16 [7.94]	25 [7.62]	50 [15.24]	75 [22.86]	80 [24.38]	70 [21.34]	65 [19.81]	60 [18.29]	50 [15.24]	45 [13.72]	40 [12.19]	35 [10.67]	30 [9.14]	25 [7.62]	20 [6.1]		
		3/8 [9.53]	25 [7.62]	50 [15.24]	75 [22.86]	100 [30.48]	95 [28.96]	90 [27.43]	85 [25.91]	80 [24.38]	75 [22.86]	70 [21.34]	65 [19.81]	60 [18.29]	55 [16.76]	50 [15.24]		
		7/16 [11.12]	25 [7.62]	50 [15.24]	75 [22.86]	100 [30.48]	100 [30.48]	95 [28.96]	95 [28.96]	90 [27.43]	85 [25.91]	80 [24.38]	75 [22.86]	70 [21.34]	65 [19.81]	60 [18.29]		
		1/2 [12.71]	25 [7.62]	50 [15.24]	75 [22.86]	100 [30.48]	100 [30.48]	95 [28.96]	95 [28.96]	90 [27.43]	85 [25.91]	80 [24.38]	75 [22.86]	70 [21.34]	65 [19.81]	60 [18.29]		
		N/R	25 [7.62]	50 [15.24]	75 [22.86]	100 [30.48]	100 [30.48]	95 [28.96]	95 [28.96]	90 [27.43]	85 [25.91]	80 [24.38]	75 [22.86]	70 [21.34]	65 [19.81]	60 [18.29]		
24B	3/8" [9.53]	1/4 [6.35]	25 [7.62]	50 [15.24]	30 [9.14]	10 [3.05]	N/R	N/R	N/R	N/R	N/R	N/R	N/R	N/R	N/R	N/R	N/R	
		5/16 [7.94]	25 [7.62]	50 [15.24]	75 [22.86]	80 [24.38]	75 [22.86]	70 [21.34]	65 [19.81]	60 [18.29]	55 [16.76]	50 [15.24]	45 [13.72]	40 [12.19]	35 [10.67]	30 [9.14]		
		3/8 [9.53]	25 [7.62]	50 [15.24]	75 [22.86]	100 [30.48]	95 [28.96]	90 [27.43]	85 [25.91]	80 [24.38]	75 [22.86]	70 [21.34]	65 [19.81]	60 [18.29]	55 [16.76]	50 [15.24]		
		7/16 [11.12]	25 [7.62]	50 [15.24]	75 [22.86]	100 [30.48]	100 [30.48]	95 [28.96]	95 [28.96]	90 [27.43]	85 [25.91]	80 [24.38]	75 [22.86]	70 [21.34]	65 [19.81]	60 [18.29]		
		1/2 [12.71]	25 [7.62]	50 [15.24]	75 [22.86]	100 [30.48]	100 [30.48]	95 [28.96]	95 [28.96]	90 [27.43]	85 [25.91]	80 [24.38]	75 [22.86]	70 [21.34]	65 [19.81]	60 [18.29]		
		N/R	25 [7.62]	50 [15.24]	75 [22.86]	100 [30.48]	100 [30.48]	95 [28.96]	95 [28.96]	90 [27.43]	85 [25.91]	80 [24.38]	75 [22.86]	70 [21.34]	65 [19.81]	60 [18.29]		
30A	3/8" [9.53]	1/4 [6.35]	25 [7.62]	30 [9.14]	N/R	N/R	N/R	N/R	N/R	N/R	N/R	N/R	N/R	N/R	N/R	N/R	N/R	
		5/16 [7.94]	25 [7.62]	50 [15.24]	70 [21.34]	60 [18.29]	55 [16.76]	45 [13.72]	35 [10.67]	30 [9.14]	20 [6.1]	10 [3.05]	N/R	N/R	N/R	N/R	N/R	
		3/8 [9.53]	25 [7.62]	50 [15.24]	75 [22.86]	85 [25.91]	80 [24.38]	75 [22.86]	70 [21.34]	65 [19.81]	60 [18.29]	55 [16.76]	50 [15.24]	45 [13.72]	40 [12.19]	35 [10.67]	30 [9.14]	
		7/16 [11.12]	25 [7.62]	50 [15.24]	75 [22.86]	100 [30.48]	90 [27.43]	85 [25.91]	80 [24.38]	75 [22.86]	70 [21.34]	65 [19.81]	60 [18.29]	55 [16.76]	50 [15.24]	45 [13.72]	40 [12.19]	
		1/2 [12.71]	25 [7.62]	50 [15.24]	75 [22.86]	100 [30.48]	100 [30.48]	95 [28.96]	95 [28.96]	90 [27.43]	85 [25.91]	80 [24.38]	75 [22.86]	70 [21.34]	65 [19.81]	60 [18.29]		
		N/R	25 [7.62]	50 [15.24]	75 [22.86]	100 [30.48]	100 [30.48]	95 [28.96]	95 [28.96]	90 [27.43]	85 [25.91]	80 [24.38]	75 [22.86]	70 [21.34]	65 [19.81]	60 [18.29]		
30B	3/8" [9.53]	1/4 [6.35]	25 [7.62]	30 [9.14]	N/R	N/R	N/R	N/R	N/R	N/R	N/R	N/R	N/R	N/R	N/R	N/R	N/R	
		5/16 [7.94]	25 [7.62]	50 [15.24]	70 [21.34]	65 [19.81]	55 [16.76]	45 [13.72]	40 [12.19]	30 [9.14]	20 [6.1]	15 [4.57]	N/R	N/R	N/R	N/R	N/R	
		3/8 [9.53]	25 [7.62]	50 [15.24]	75 [22.86]	85 [25.91]	80 [24.38]	75 [22.86]	70 [21.34]	65 [19.81]	60 [18.29]	55 [16.76]	50 [15.24]	45 [13.72]	40 [12.19]	35 [10.67]	30 [9.14]	
		7/16 [11.12]	25 [7.62]	50 [15.24]	75 [22.86]	100 [30.48]	90 [27.43]	85 [25.91]	80 [24.38]	75 [22.86]	70 [21.34]	65 [19.81]	60 [18.29]	55 [16.76]	50 [15.24]	45 [13.72]	40 [12.19]	
		1/2 [12.71]	25 [7.62]	50 [15.24]	75 [22.86]	100 [30.48]	100 [30.48]	95 [28.96]	95 [28.96]	90 [27.43]	85 [25.91]	80 [24.38]	75 [22.86]	70 [21.34]	65 [19.81]	60 [18.29]		
		N/R	25 [7.62]	50 [15.24]	75 [22.86]	100 [30.48]	100 [30.48]	95 [28.96]	95 [28.96]	90 [27.43]	85 [25.91]	80 [24.38]	75 [22.86]	70 [21.34]	65 [19.81]	60 [18.29]		
36A	3/8" [9.53]	1/4 [6.35]	25 [7.62]	N/R	N/R	N/R	N/R	N/R	N/R	N/R	N/R	N/R	N/R	N/R	N/R	N/R	N/R	
		5/16 [7.94]	25 [7.62]	50 [15.24]	65 [19.81]	50 [15.24]	40 [12.19]	30 [9.14]	25 [7.62]	15 [4.57]	N/R	N/R	N/R	N/R	N/R	N/R	N/R	
		3/8 [9.53]	25 [7.62]	50 [15.24]	75 [22.86]	85 [25.91]	80 [24.38]	75 [22.86]	70 [21.34]	65 [19.81]	60 [18.29]	55 [16.76]	50 [15.24]	45 [13.72]	40 [12.19]	35 [10.67]	30 [9.14]	
		7/16 [11.12]	25 [7.62]	50 [15.24]	75 [22.86]	100 [30.48]	90 [27.43]	85 [25.91]	80 [24.38]	75 [22.86]	70 [21.34]	65 [19.81]	60 [18.29]	55 [16.76]	50 [15.24]	45 [13.72]	40 [12.19]	
		1/2 [12.71]	25 [7.62]	50 [15.24]	75 [22.86]	100 [30.48]	100 [30.48]	95 [28.96]	95 [28.96]	90 [27.43]	85 [25.91]	80 [24.38]	75 [22.86]	70 [21.34]	65 [19.81]	60 [18.29]		
		N/R	25 [7.62]	50 [15.24]	75 [22.86]	100 [30.48]	100 [30.48]	95 [28.96]	95 [28.96]	90 [27.43]	85 [25.91]	80 [24.38]	75 [22.86]	70 [21.34]	65 [19.81]	60 [18.29]		

NOTES: N/R = Application not recommended. Grey = This application is acceptable, but the long line guidelines must be followed. Reference Long Line Set section in the I&O [] Designates Metric Conversions

Heat Pump Refrigerant Line Size Information (con't.)

R-410A System Capacity Model	Vapor Line Connection Size (Inch I.D.) [mm]	Vapor Line Size (Inch O.D.) [mm]	Vapor Line Selection Chart Capacity Multiplier Table																	
			Total Equivalent Length - Feet [m]																	
			25 [7.62]	50 [15.24]	75 [22.86]	100 [30.48]	125 [45.72]	150 [45.72]	175 [53.34]	200 [60.96]	225 [68.58]	250 [76.20]	275 [83.82]	300 [91.44]						
18A	3/4" [19.06]	5/8 [15.88]	1.00	1.00	1.00	0.99	0.99	0.98	0.98	0.98	0.98	0.98	0.98	0.97	0.97	0.97	0.97	0.97	0.97	
		3/4 [19.05]	1.00	1.00	1.00	1.00	1.00	1.00	1.00	1.00	1.00	1.00	1.00	1.00	1.00	1.00	1.00	1.00	1.00	
		7/8 [22.23]	N/R	N/R	N/R	N/R	N/R	N/R	N/R	N/R	N/R	N/R	N/R	N/R	N/R	N/R	N/R	N/R	N/R	N/R
		1 [25.4]	N/R	N/R	N/R	N/R	N/R	N/R	N/R	N/R	N/R	N/R	N/R	N/R	N/R	N/R	N/R	N/R	N/R	N/R
		1-1/8 [28.58]	N/R	N/R	N/R	N/R	N/R	N/R	N/R	N/R	N/R	N/R	N/R	N/R	N/R	N/R	N/R	N/R	N/R	N/R
18B	3/4" [19.06]	5/8 [15.88]	1.00	0.99	0.99	0.98	0.98	0.98	0.98	0.98	0.98	0.98	0.98	0.97	0.97	0.97	0.97	0.97	0.96	
		3/4 [19.05]	1.00	1.00	1.00	1.00	1.00	1.00	1.00	1.00	1.00	1.00	1.00	1.00	1.00	1.00	1.00	1.00	0.99	
		7/8 [22.23]	N/R	N/R	N/R	N/R	N/R	N/R	N/R	N/R	N/R	N/R	N/R	N/R	N/R	N/R	N/R	N/R	N/R	N/R
		1 [25.4]	N/R	N/R	N/R	N/R	N/R	N/R	N/R	N/R	N/R	N/R	N/R	N/R	N/R	N/R	N/R	N/R	N/R	N/R
		1-1/8 [28.58]	N/R	N/R	N/R	N/R	N/R	N/R	N/R	N/R	N/R	N/R	N/R	N/R	N/R	N/R	N/R	N/R	N/R	N/R
24A	3/4" [19.06]	5/8 [15.88]	1.00	0.99	0.98	0.98	0.98	0.97	0.97	0.97	0.97	0.96	0.96	0.96	0.95	0.95	0.94	0.94	0.93	
		3/4 [19.05]	1.00	1.00	1.00	0.99	0.99	0.99	1.00	0.99	0.99	0.99	1.00	1.00	0.99	0.99	0.99	0.99	0.99	
		7/8 [22.23]	1.00	1.00	1.00	1.00	1.00	1.00	1.00	1.00	1.00	1.00	1.00	1.00	1.00	1.00	1.00	1.01	1.01	
		1 [25.4]	N/R	N/R	N/R	N/R	N/R	N/R	N/R	N/R	N/R	N/R	N/R	N/R	N/R	N/R	N/R	N/R	N/R	N/R
		1-1/8 [28.58]	N/R	N/R	N/R	N/R	N/R	N/R	N/R	N/R	N/R	N/R	N/R	N/R	N/R	N/R	N/R	N/R	N/R	N/R
24B	3/4" [19.06]	5/8 [15.88]	0.99	0.99	0.98	0.98	0.98	0.97	0.97	0.97	0.97	0.96	0.96	0.96	0.95	0.95	0.94	0.94	0.94	
		3/4 [19.05]	1.00	1.00	1.00	1.00	1.00	1.00	1.00	1.00	1.00	1.00	1.00	1.00	1.00	1.00	1.00	1.00	0.99	
		7/8 [22.23]	1.00	1.00	1.00	1.00	1.01	1.01	1.01	1.01	1.01	1.01	1.01	1.01	1.01	1.01	1.01	1.01	1.01	
		1 [25.4]	N/R	N/R	N/R	N/R	N/R	N/R	N/R	N/R	N/R	N/R	N/R	N/R	N/R	N/R	N/R	N/R	N/R	N/R
		1-1/8 [28.58]	N/R	N/R	N/R	N/R	N/R	N/R	N/R	N/R	N/R	N/R	N/R	N/R	N/R	N/R	N/R	N/R	N/R	N/R
30A	3/4" [19.06]	5/8 [15.88]	0.99	0.98	0.97	0.95	0.95	0.94	0.94	0.94	0.94	0.93	0.93	0.92	0.91	0.91	0.90	0.88	0.88	
		3/4 [19.05]	1.00	1.00	0.99	0.98	0.98	0.98	0.98	0.98	0.97	0.97	0.97	0.97	0.97	0.96	0.96	0.96	0.95	
		7/8 [22.23]	1.00	1.00	1.00	1.00	1.00	1.00	1.00	1.00	1.00	1.00	1.00	1.00	1.00	1.00	1.00	1.00	0.98	
		1 [25.4]	1.00	1.00	1.00	1.00	1.00	1.00	1.00	1.00	1.00	1.00	1.00	1.00	1.00	1.00	1.00	1.00	0.99	
		1-1/8 [28.58]	N/R	N/R	N/R	N/R	N/R	N/R	N/R	N/R	N/R	N/R	N/R	N/R	N/R	N/R	N/R	N/R	N/R	N/R
30B	3/4" [19.06]	5/8 [15.88]	0.99	0.98	0.97	0.96	0.96	0.96	0.96	0.95	0.95	0.95	0.94	0.92	0.92	0.92	0.91	0.89	0.89	
		3/4 [19.05]	1.00	0.99	0.99	0.99	0.99	0.97	0.97	0.97	0.97	0.97	0.98	0.98	0.97	0.97	0.96	0.96	0.96	
		7/8 [22.23]	1.00	0.99	1.00	1.00	1.00	1.00	1.00	1.00	1.00	1.00	1.00	1.00	1.00	1.00	1.00	1.00	0.98	
		1 [25.4]	N/R	N/R	N/R	N/R	N/R	N/R	N/R	N/R	N/R	N/R	N/R	N/R	N/R	N/R	N/R	N/R	N/R	N/R
		1-1/8 [28.58]	N/R	N/R	N/R	N/R	N/R	N/R	N/R	N/R	N/R	N/R	N/R	N/R	N/R	N/R	N/R	N/R	N/R	N/R
36A	3/4" [19.06]	5/8 [15.88]	1.00	0.97	0.97	0.95	0.95	0.94	0.94	0.93	0.93	0.91	0.92	0.92	0.91	0.88	0.87	0.86	0.86	
		3/4 [19.05]	1.00	1.00	0.99	0.98	0.98	0.98	0.98	0.98	0.98	0.98	0.97	0.97	0.97	0.96	0.96	0.95	0.95	
		7/8 [22.23]	1.01	1.01	1.01	1.00	1.00	1.00	1.00	1.00	1.00	1.00	1.00	1.00	1.00	1.00	1.00	0.98	0.98	
		1 [25.4]	1.01	1.01	1.01	1.01	1.01	1.01	1.01	1.01	1.01	1.01	1.01	1.01	1.01	1.00	1.00	1.00	1.01	
		1-1/8 [28.58]	N/R	N/R	N/R	N/R	N/R	N/R	N/R	N/R	N/R	N/R	N/R	N/R	N/R	N/R	N/R	N/R	N/R	N/R

NOTES: [] Designates Metric Conversions
N/R = Application not recommended.
All calculations assume a 3/8" liquid line

Heat Pump Refrigerant Line Size Information (con't.)

R-410A System Capacity Model	Vapor Line Connection Size (Inch I.D.) [mm]	Vapor Line Size (Inch O.D.) [mm]	Vapor Line Selection Chart Capacity Multiplier Table														
			Total Equivalent Length - Feet [m]														
			25 [7.62]	50 [15.24]	75 [22.86]	100 [30.48]	125 [45.72]	150 [45.72]	175 [53.34]	200 [60.96]	225 [68.58]	250 [76.20]	275 [83.82]	300 [91.44]			
42A	7/8" [22.23]	5/8 [15.88]	1.00	0.98	0.96	0.95	0.94	0.92	0.91	0.89	0.88	0.87	0.86	0.85			
			1.01	1.01	1.00	0.99	0.99	0.97	0.96	0.95	0.94	0.93	0.92	0.92			
			1.00	1.01	1.01	1.01	1.01	1.01	1.01	1.00	0.99	0.98	0.97	0.97			
			1.03	1.02	1.02	1.02	1.02	1.01	1.01	1.01	1.01	1.01	1.01	1.01	1.01		
			1.03	1.03	1.02	1.02	1.02	1.02	1.02	1.02	1.02	1.02	1.02	1.01	1.01		
48A	7/8" [22.23]	5/8 [15.88]	0.99	0.96	0.94	0.92	0.91	0.89	0.87	0.86	0.84	0.83	0.82	0.80			
			1.01	1.00	0.99	0.97	0.97	0.95	0.94	0.94	0.94	0.93	0.92	0.92			
			1.00	1.01	1.01	1.00	1.00	0.99	0.99	0.99	0.99	0.98	0.97	0.97			
			N/R	N/R	N/R	N/R	N/R	N/R	N/R	N/R	N/R	N/R	N/R	N/R	N/R		
			N/R	N/R	N/R	N/R	N/R	N/R	N/R	N/R	N/R	N/R	N/R	N/R	N/R		
60A	7/8" [22.23]	5/8 [15.88]	0.79	0.99	0.95	0.93	0.91	0.89	0.89	0.89	0.89	0.89	0.89	0.89			
			0.90	1.01	1.00	0.99	0.97	0.96	0.96	0.96	0.96	0.96	0.96	0.96			
			1.00	1.01	1.01	1.01	1.00	1.00	1.00	1.00	1.00	1.00	1.00	1.00	1.00		
			1.00	1.02	1.01	1.01	1.01	1.01	1.01	1.01	1.01	1.01	1.01	1.01	1.01		
			N/R	N/R	N/R	N/R	N/R	N/R	N/R	N/R	N/R	N/R	N/R	N/R	N/R		

NOTES:
N/R = Application not recommended.
All calculations assume a 3/8" liquid line

[J] Designates Metric Conversions

Performance Data @ AHRI Standard Conditions – Heat Pump

High Sales Volume Tested Combination (HSVTC)												
Outdoor Unit	Air Handler	Total Capacity BTU/H [kW]	Net Sensible BTU/H [kW]	Net Latent BTU/H [kW]	SEER	EER	Indoor CFM [L/s]	47 Degree Heating Capacity BTU/H [kW]	47 Degree COP	17 Degree Heating Capacity BTU/H [kW]	47 Degree COP	AHRI#
RP1418FJ1	RH1T2417STAN	18500 [5.4]	14500 [4.2]	4000 [1.2]	14.50	12.00	650 [306.8]	15700 [4.6]	3.60	9100 [2.7]	2.40	8378615
RP1424FJ1	RH1T2417STAN	24000 [7.0]	17900 [5.2]	6100 [1.8]	14.50	12.00	800 [377.6]	22000 [6.4]	3.70	13500 [4.0]	2.50	8378618
RP1430FJ1	RH1T3617STAN	29400 [8.6]	22500 [6.6]	6900 [2.0]	14.50	12.00	1025 [483.7]	27000 [7.9]	3.70	16600 [4.9]	2.40	8378621
RP1436FC1	RH1T3617STAN	35600 [10.4]	26400 [7.7]	9200 [2.7]	14.50	12.00	1175 [554.5]	33800 [9.9]	3.66	22400 [6.6]	2.66	8378721
RP1436FJ1	RH1T3617STAN	35600 [10.4]	26400 [7.7]	9200 [2.7]	14.50	12.00	1175 [554.5]	33800 [9.9]	3.66	22400 [6.6]	2.66	8378725
RP1442FC1	RH1T4821STAN	42500 [12.5]	30600 [9.0]	11900 [3.5]	14.50	12.00	1350 [637.1]	40000 [11.7]	3.76	25600 [7.5]	2.60	8378843
RP1442FJ1	RH1T4821STAN	42500 [12.5]	30600 [9.0]	11900 [3.5]	14.50	12.00	1350 [637.1]	40000 [11.7]	3.76	25600 [7.5]	2.60	8378847
RP1448FC1	RH1T4821STAN	47000 [13.8]	34100 [10.0]	12900 [3.8]	14.50	12.00	1500 [707.9]	44500 [13.0]	3.66	29000 [8.5]	2.60	8378955
RP1448FJ1	RH1T4821STAN	47000 [13.8]	34100 [10.0]	12900 [3.8]	14.50	12.00	1500 [707.9]	44500 [13.0]	3.66	29000 [8.5]	2.60	8378958
RP1460FC1	RH1T6024STAN	58000 [17.0]	42400 [12.4]	15600 [4.6]	14.50	12.00	1775 [837.7]	56000 [16.4]	3.76	35600 [10.4]	2.66	8379053
RP1460FJ1	RH1T6024STAN	58000 [17.0]	42400 [12.4]	15600 [4.6]	14.50	12.00	1775 [837.7]	56000 [16.4]	3.76	35600 [10.4]	2.66	8379057

Coil Only Ratings												
Outdoor Unit	Indoor Coil	Total Capacity BTU/H [kW]	Net Sensible BTU/H [kW]	Net Latent BTU/H [kW]	SEER	EER	Indoor CFM [L/s]	47 Degree Heating Capacity BTU/H [kW]	47 Degree COP	17 Degree Heating Capacity BTU/H [kW]	47 Degree COP	AHRI#
RP1418FJ1	RCF2417STAM+RXMD-C04	18000 [5.3]	13700 [4.0]	4300 [1.3]	14.00	11.50	650 [306.8]	17000 [5.0]	3.50	10400 [3.0]	2.40	8379083
RP1424FJ1	RCF2417STAM+RXMD-C04	23400 [6.9]	16900 [5.0]	6500 [1.9]	14.00	11.50	800 [377.6]	23200 [6.8]	3.50	14600 [4.3]	2.46	8379115
RP1430FJ1	RCF3617STAM+RXMD-C04	28600 [8.4]	21100 [6.2]	7500 [2.2]	14.00	11.50	1050 [495.5]	28400 [8.3]	3.54	18100 [5.3]	2.34	8379150
RP1436FC1	RCF3621STAM+RXMD-C04	28600 [8.4]	21100 [6.2]	7500 [2.2]	14.00	11.50	1050 [495.5]	28600 [8.4]	3.60	18200 [5.3]	2.40	8379218
RP1436FJ1	RCF3617STAM+RXMD-C04	34600 [10.1]	24400 [7.2]	10200 [3.0]	14.00	11.50	1075 [507.3]	35200 [10.3]	3.54	23600 [6.9]	2.60	8378654
RP1436FJ1	RCF3621STAM+RXMD-C04	34600 [10.1]	24400 [7.2]	10200 [3.0]	14.00	11.50	1150 [542.7]	35200 [10.3]	3.54	23600 [6.9]	2.60	8378719
RP1436FJ1	RCF3617STAM+RXMD-C04	34600 [10.1]	24400 [7.2]	10200 [3.0]	14.00	11.50	1075 [507.3]	35200 [10.3]	3.54	23600 [6.9]	2.60	8379252
RP1436FJ1	RCF3621STAM+RXMD-C04	34600 [10.1]	24400 [7.2]	10200 [3.0]	14.00	11.50	1150 [542.7]	35200 [10.3]	3.54	23600 [6.9]	2.60	8379317
RP1442FC1	RCF4821STAM+RXMD-04	42000 [12.3]	31100 [9.1]	10900 [3.2]	14.00	11.50	1275 [601.7]	39500 [11.6]	3.50	25400 [7.4]	2.44	8550597
RP1442FC1	RCF4824STAM+RXMD-04	42000 [12.3]	31100 [9.1]	10900 [3.2]	14.00	11.50	1275 [601.7]	39500 [11.6]	3.50	25400 [7.4]	2.44	8560795
RP1442FJ1	RCF4821STAM+RXMD-04	42000 [12.3]	31100 [9.1]	10900 [3.2]	14.00	11.50	1275 [601.7]	39500 [11.6]	3.50	25400 [7.4]	2.44	8550598
RP1442FJ1	RCF4824STAM+RXMD-04	42000 [12.3]	31100 [9.1]	10900 [3.2]	14.00	11.50	1275 [601.7]	39500 [11.6]	3.50	25400 [7.4]	2.44	8560796
RP1448FC1	RCF4821STAM+RXMD-C04	44500 [13.0]	29900 [8.8]	14600 [4.3]	14.00	11.50	1375 [648.9]	46500 [13.6]	3.60	30600 [9.0]	2.60	8378891
RP1448FC1	RCF4824STAM+RXMD-C04	44500 [13.0]	29900 [8.8]	14600 [4.3]	14.00	11.50	1375 [648.9]	46500 [13.6]	3.60	30600 [9.0]	2.60	8378953
RP1448FJ1	RCF4821STAM+RXMD-C04	44500 [13.0]	29900 [8.8]	14600 [4.3]	14.00	11.50	1375 [648.9]	46500 [13.6]	3.60	30600 [9.0]	2.60	8379480
RP1448FJ1	RCF4824STAM+RXMD-C04	44500 [13.0]	29900 [8.8]	14600 [4.3]	14.00	11.50	1375 [648.9]	46500 [13.6]	3.60	30600 [9.0]	2.60	8379542
RP1460FC1	RCF6024HTAM+RXMD-C04	55500 [16.3]	37200 [10.9]	18300 [5.4]	14.00	11.50	1600 [755.1]	58500 [17.1]	3.80	38000 [11.1]	2.70	8379004
RP1460FC1	RCF6024STAM+RXMD-C04	55500 [16.3]	37200 [10.9]	18300 [5.4]	14.00	11.50	1600 [755.1]	58500 [17.1]	3.80	38000 [11.1]	2.70	8379052
RP1460FJ1	RCF6024HTAM+RXMD-C04	55500 [16.3]	37200 [10.9]	18300 [5.4]	14.00	11.50	1600 [755.1]	58500 [17.1]	3.80	38000 [11.1]	2.70	8379591
RP1460FJ1	RCF6024STAM+RXMD-C04	55500 [16.3]	37200 [10.9]	18300 [5.4]	14.00	11.50	1600 [755.1]	58500 [17.1]	3.80	38000 [11.1]	2.70	8379639

[] Designates Metric Conversions

Performance Data @ AHRI Standard Conditions – Heat Pump (con't.)

R801T: Achiever Plus Single-Stage X-13 80% Furnace Ratings														
Outdoor Unit	Furnace	Indoor Coil	Total Capacity BTU/H [kW]	Net Sensible BTU/H [kW]	Net Latent BTU/H [kW]	SEER	EER	Indoor CFM [L/s]	47 Degree Heating Capacity BTU/H [kW]	47 Degree COP	17 Degree Heating Capacity BTU/H [kW]	47 Degree COP	Region IV HSPF	AHRI#
RP1418FJ1	R801TA050314MSA	RCF2417STAM	18000 [5.3]	14000 [4.1]	4000 [1.2]	14.00	11.50	625 [295.0]	15500 [4.5]	3.60	9000 [2.6]	2.34	8.20	8379058
RP1418FJ1	R801TA050314MXX	RCF2417STAM	18000 [5.3]	14000 [4.1]	4000 [1.2]	14.00	11.50	625 [295.0]	15500 [4.5]	3.60	9000 [2.6]	2.34	8.20	8379059
RP1418FJ1	R801TA075317ZSA	RCF2417STAM	18000 [5.3]	14000 [4.1]	4000 [1.2]	14.00	11.50	650 [306.8]	15700 [4.6]	3.60	9200 [2.7]	2.40	8.20	8379060
RP1418FJ1	R801TA075317ZSB	RCF2417STAM	18000 [5.3]	14000 [4.1]	4000 [1.2]	14.00	11.50	650 [306.8]	15700 [4.6]	3.60	9200 [2.7]	2.40	8.20	8379061
RP1418FJ1	R801TA075317ZXA	RCF2417STAM	18000 [5.3]	14000 [4.1]	4000 [1.2]	14.00	11.50	650 [306.8]	15700 [4.6]	3.60	9200 [2.7]	2.40	8.20	8379062
RP1418FJ1	R801TA075317ZXB	RCF2417STAM	18000 [5.3]	14000 [4.1]	4000 [1.2]	14.00	11.50	650 [306.8]	15700 [4.6]	3.60	9200 [2.7]	2.40	8.20	8379063
RP1418FJ1	R801TB075317ZSB	RCF2417STAM	18000 [5.3]	14000 [4.1]	4000 [1.2]	14.00	11.50	650 [306.8]	15700 [4.6]	3.60	9200 [2.7]	2.40	8.20	8379064
RP1418FJ1	R801TB075317ZXA	RCF2417STAM	18000 [5.3]	14000 [4.1]	4000 [1.2]	14.00	11.50	650 [306.8]	15700 [4.6]	3.60	9200 [2.7]	2.40	8.20	8379065
RP1424FJ1	R801TA050314MSA	RCF2417STAM	24000 [7.0]	17900 [5.2]	6100 [1.8]	14.00	11.50	825 [389.4]	22000 [6.4]	3.66	13500 [4.0]	2.46	8.20	8379086
RP1424FJ1	R801TA050314MXX	RCF2417STAM	24000 [7.0]	17900 [5.2]	6100 [1.8]	14.00	11.50	825 [389.4]	22000 [6.4]	3.66	13500 [4.0]	2.46	8.20	8379087
RP1424FJ1	R801TA075317ZSA	RCF2417STAM	24000 [7.0]	17900 [5.2]	6100 [1.8]	14.00	11.50	850 [401.2]	22000 [6.4]	3.66	13600 [4.0]	2.46	8.20	8379088
RP1424FJ1	R801TA075317ZSB	RCF2417STAM	24000 [7.0]	17900 [5.2]	6100 [1.8]	14.00	11.50	850 [401.2]	22000 [6.4]	3.66	13600 [4.0]	2.46	8.20	8379089
RP1424FJ1	R801TA075317ZXA	RCF2417STAM	24000 [7.0]	17900 [5.2]	6100 [1.8]	14.00	11.50	850 [401.2]	22000 [6.4]	3.66	13600 [4.0]	2.46	8.20	8379090
RP1424FJ1	R801TA075317ZXB	RCF2417STAM	24000 [7.0]	17900 [5.2]	6100 [1.8]	14.00	11.50	850 [401.2]	22000 [6.4]	3.66	13600 [4.0]	2.46	8.20	8379091
RP1424FJ1	R801TB075317ZSB	RCF2417STAM	24000 [7.0]	17900 [5.2]	6100 [1.8]	14.00	11.50	850 [401.2]	22000 [6.4]	3.66	13600 [4.0]	2.46	8.20	8379092
RP1424FJ1	R801TB075317ZXA	RCF2417STAM	24000 [7.0]	17900 [5.2]	6100 [1.8]	14.00	11.50	850 [401.2]	22000 [6.4]	3.66	13600 [4.0]	2.46	8.20	8379093
RP1430FJ1	R801TA050314MSA	RCF3617STAM	29000 [8.5]	21900 [6.4]	7100 [2.1]	14.00	11.50	1000 [471.9]	27200 [8.0]	3.66	16700 [4.9]	2.34	8.20	8379118
RP1430FJ1	R801TA050314MXX	RCF3617STAM	29000 [8.5]	21900 [6.4]	7100 [2.1]	14.00	11.50	1000 [471.9]	27200 [8.0]	3.66	16700 [4.9]	2.34	8.20	8379119
RP1430FJ1	R801TA075317ZSA	RCF3617STAM	29200 [8.6]	22300 [6.5]	6900 [2.0]	14.00	11.50	1050 [495.5]	27200 [8.0]	3.66	16900 [5.0]	2.34	8.20	8379120
RP1430FJ1	R801TA075317ZSB	RCF3617STAM	29200 [8.6]	22300 [6.5]	6900 [2.0]	14.00	11.50	1050 [495.5]	27200 [8.0]	3.66	16900 [5.0]	2.34	8.20	8379151
RP1430FJ1	R801TA075317ZXA	RCF3617STAM	29200 [8.6]	22300 [6.5]	6900 [2.0]	14.00	11.50	1050 [495.5]	27200 [8.0]	3.66	16900 [5.0]	2.34	8.20	8379121
RP1430FJ1	R801TA075317ZXB	RCF3617STAM	29200 [8.6]	22300 [6.5]	6900 [2.0]	14.00	11.50	1050 [495.5]	27200 [8.0]	3.66	16900 [5.0]	2.34	8.20	8379152
RP1430FJ1	R801TA075317ZSA	RCF3621STAM	29200 [8.6]	22300 [6.5]	6900 [2.0]	14.00	11.50	1050 [495.5]	27200 [8.0]	3.66	16900 [5.0]	2.34	8.20	8379122
RP1430FJ1	R801TA075317ZXB	RCF3621STAM	29200 [8.6]	22300 [6.5]	6900 [2.0]	14.00	11.50	1050 [495.5]	27200 [8.0]	3.66	16900 [5.0]	2.34	8.20	8379153
RP1430FJ1	R801TA075417MXX	RCF3621STAM	29200 [8.6]	22300 [6.5]	6900 [2.0]	14.00	11.50	1050 [495.5]	27200 [8.0]	3.66	16900 [5.0]	2.34	8.20	8379123
RP1430FJ1	R801TA075417ZXB	RCF3621STAM	29200 [8.6]	22300 [6.5]	6900 [2.0]	14.00	11.50	1050 [495.5]	27200 [8.0]	3.66	16900 [5.0]	2.34	8.20	8379154
RP1430FJ1	R801TA075417MXX	RCF3617STAM	29000 [8.5]	21800 [6.4]	7200 [2.1]	14.00	11.50	975 [460.1]	27000 [7.9]	3.70	16600 [4.9]	2.34	8.20	8379124
RP1430FJ1	R801TA075417ZXB	RCF3617STAM	29200 [8.6]	22100 [6.5]	7100 [2.1]	14.00	11.50	1000 [471.9]	27000 [7.9]	3.70	16700 [4.9]	2.40	8.20	8379155
RP1430FJ1	R801TA075421MXX	RCF3621STAM	29000 [8.5]	21800 [6.4]	7200 [2.1]	14.00	11.50	975 [460.1]	27000 [7.9]	3.70	16600 [4.9]	2.34	8.20	8379125
RP1430FJ1	R801TA075421ZXA	RCF3621STAM	29200 [8.6]	22100 [6.5]	7100 [2.1]	14.00	11.50	1000 [471.9]	27000 [7.9]	3.70	16700 [4.9]	2.40	8.20	8379156
RP1430FJ1	R801TA075421ZXB	RCF3621STAM	29200 [8.6]	22100 [6.5]	7100 [2.1]	14.00	11.50	1000 [471.9]	27000 [7.9]	3.70	16700 [4.9]	2.40	8.20	8379157
RP1430FJ1	R801TA075521ZSA	RCF3621STAM	29000 [8.5]	21700 [6.4]	7300 [2.1]	14.00	11.50	950 [448.4]	27000 [7.9]	3.76	16500 [4.8]	2.40	8.20	8379158
RP1430FJ1	R801TA075521ZSB	RCF3621STAM	29000 [8.5]	21700 [6.4]	7300 [2.1]	14.00	11.50	950 [448.4]	27000 [7.9]	3.76	16500 [4.8]	2.40	8.20	8379159
RP1430FJ1	R801TA075521ZXA	RCF3621STAM	29000 [8.5]	21700 [6.4]	7300 [2.1]	14.00	11.50	950 [448.4]	27000 [7.9]	3.76	16500 [4.8]	2.40	8.20	8379160
RP1430FJ1	R801TA075521ZXB	RCF3621STAM	29000 [8.5]	21700 [6.4]	7300 [2.1]	14.00	11.50	950 [448.4]	27000 [7.9]	3.76	16500 [4.8]	2.40	8.20	8379161

[] Designates Metric Conversions

Performance Data @ AHRI Standard Conditions – Heat Pump (con't.)

R801T: Achiever Plus Single-Stage X-13 80% Furnace Ratings

Outdoor Unit	Furnace	Indoor Coil	Total Capacity BTU/H [kW]	Net Sensible BTU/H [kW]	Net Latent BTU/H [kW]	SEER	EER	Indoor CFM [L/s]	47 Degree Heating Capacity BTU/H [kW]	47 Degree COP	17 Degree Heating Capacity BTU/H [kW]	47 Degree COP	Region IV HSPF	AHRI#
RP1430FJ1	R801TA075521ZXB	RCF3621STAM	29000 [8.5]	21700 [6.4]	7300 [2.1]	14.00	11.50	950 [448.4]	27000 [7.9]	3.76	16500 [4.8]	2.40	8.20	8379162
RP1430FJ1	R801TA100521MSA	RCF3621STAM	29200 [8.6]	22100 [6.5]	7100 [2.1]	14.00	11.50	1000 [471.9]	27000 [7.9]	3.76	16600 [4.9]	2.40	8.20	8379163
RP1430FJ1	R801TA100521MXA	RCF3621STAM	29200 [8.6]	22100 [6.5]	7100 [2.1]	14.00	11.50	1000 [471.9]	27000 [7.9]	3.76	16600 [4.9]	2.40	8.20	8379164
RP1430FJ1	R801TA100521ZSA	RCF3621STAM	29000 [8.5]	21700 [6.4]	7300 [2.1]	14.00	11.50	950 [448.4]	27000 [7.9]	3.76	16500 [4.8]	2.40	8.20	8379165
RP1430FJ1	R801TA100521ZSB	RCF3621STAM	29000 [8.5]	21700 [6.4]	7300 [2.1]	14.00	11.50	950 [448.4]	27000 [7.9]	3.76	16500 [4.8]	2.40	8.20	8379166
RP1430FJ1	R801TA100521ZXA	RCF3621STAM	29000 [8.5]	21700 [6.4]	7300 [2.1]	14.00	11.50	950 [448.4]	27000 [7.9]	3.76	16500 [4.8]	2.40	8.20	8379167
RP1430FJ1	R801TA100521ZXB	RCF3621STAM	29000 [8.5]	21700 [6.4]	7300 [2.1]	14.00	11.50	950 [448.4]	27000 [7.9]	3.76	16500 [4.8]	2.40	8.20	8379168
RP1430FJ1	R801TB075317ZSB	RCF3617STAM	29200 [8.6]	22300 [6.5]	6900 [2.0]	14.00	11.50	1050 [495.5]	27200 [8.0]	3.66	16900 [5.0]	2.34	8.20	8379126
RP1430FJ1	R801TB075317ZSB	RCF3621STAM	29200 [8.6]	22300 [6.5]	6900 [2.0]	14.00	11.50	1050 [495.5]	27200 [8.0]	3.66	16900 [5.0]	2.34	8.20	8379169
RP1430FJ1	R801TB075317ZXB	RCF3617STAM	29200 [8.6]	22300 [6.5]	6900 [2.0]	14.00	11.50	1050 [495.5]	27200 [8.0]	3.66	16900 [5.0]	2.34	8.20	8379127
RP1430FJ1	R801TB075317ZXB	RCF3621STAM	29200 [8.6]	22300 [6.5]	6900 [2.0]	14.00	11.50	1050 [495.5]	27200 [8.0]	3.66	16900 [5.0]	2.34	8.20	8379170
RP1430FJ1	R801TB075521ZSB	RCF3621STAM	29000 [8.5]	21700 [6.4]	7300 [2.1]	14.00	11.50	950 [448.4]	27000 [7.9]	3.76	16500 [4.8]	2.40	8.20	8379171
RP1430FJ1	R801TB075521ZXB	RCF3621STAM	29000 [8.5]	21700 [6.4]	7300 [2.1]	14.00	11.50	950 [448.4]	27000 [7.9]	3.76	16500 [4.8]	2.40	8.20	8379172
RP1430FJ1	R801TB100521ZSB	RCF3621STAM	29000 [8.5]	21700 [6.4]	7300 [2.1]	14.00	11.50	950 [448.4]	27000 [7.9]	3.76	16500 [4.8]	2.40	8.20	8379173
RP1430FJ1	R801TB100521ZXB	RCF3621STAM	29000 [8.5]	21700 [6.4]	7300 [2.1]	14.00	11.50	950 [448.4]	27000 [7.9]	3.76	16500 [4.8]	2.40	8.20	8379174
RP1436FC1	R801TA050314MSA	RCF3617STAM	35200 [10.3]	25900 [7.6]	9300 [2.7]	14.00	11.50	1175 [554.5]	34200 [10.0]	3.60	22400 [6.6]	2.60	8.20	8378623
RP1436FC1	R801TA050314MXA	RCF3617STAM	35200 [10.3]	25900 [7.6]	9300 [2.7]	14.00	11.50	1175 [554.5]	34200 [10.0]	3.60	22400 [6.6]	2.60	8.20	8378624
RP1436FC1	R801TA075317ZSA	RCF3617STAM	35200 [10.3]	26000 [7.6]	9200 [2.7]	14.00	11.50	1200 [566.3]	34200 [10.0]	3.54	22600 [6.6]	2.60	8.20	8378625
RP1436FC1	R801TA075317ZSB	RCF3621STAM	35200 [10.3]	26000 [7.6]	9200 [2.7]	14.00	11.50	1200 [566.3]	34200 [10.0]	3.60	22600 [6.6]	2.60	8.20	8378655
RP1436FC1	R801TA075317ZXB	RCF3617STAM	35200 [10.3]	26000 [7.6]	9200 [2.7]	14.00	11.50	1200 [566.3]	34200 [10.0]	3.60	22600 [6.6]	2.60	8.20	8378626
RP1436FC1	R801TA075317ZXB	RCF3621STAM	35200 [10.3]	26000 [7.6]	9200 [2.7]	14.00	11.50	1200 [566.3]	34200 [10.0]	3.60	22600 [6.6]	2.60	8.20	8378656
RP1436FC1	R801TA075317ZXA	RCF3617STAM	35200 [10.3]	26000 [7.6]	9200 [2.7]	14.00	11.50	1200 [566.3]	34200 [10.0]	3.54	22600 [6.6]	2.60	8.20	8378627
RP1436FC1	R801TA075317ZXB	RCF3621STAM	35200 [10.3]	26000 [7.6]	9200 [2.7]	14.00	11.50	1200 [566.3]	34200 [10.0]	3.60	22600 [6.6]	2.60	8.20	8378657
RP1436FC1	R801TA075317ZXB	RCF3617STAM	35200 [10.3]	26000 [7.6]	9200 [2.7]	14.00	11.50	1200 [566.3]	34200 [10.0]	3.54	22600 [6.6]	2.60	8.20	8378628
RP1436FC1	R801TA075417MSA	RCF3621STAM	35600 [10.4]	26600 [7.8]	9000 [2.6]	14.00	11.50	1225 [578.1]	34200 [10.0]	3.60	22600 [6.6]	2.60	8.20	8378658
RP1436FC1	R801TA075417MXA	RCF3617STAM	35400 [10.4]	26000 [7.6]	9400 [2.8]	14.00	11.50	1150 [542.7]	34000 [10.0]	3.66	22400 [6.6]	2.66	8.20	8378629
RP1436FC1	R801TA075421MSA	RCF3621STAM	35600 [10.4]	26600 [7.8]	9000 [2.6]	14.00	11.50	1225 [578.1]	34200 [10.0]	3.60	22600 [6.6]	2.60	8.20	8378659
RP1436FC1	R801TA075421MXA	RCF3617STAM	35400 [10.4]	26000 [7.6]	9400 [2.8]	14.00	11.50	1150 [542.7]	34000 [10.0]	3.66	22400 [6.6]	2.66	8.20	8378630
RP1436FC1	R801TA075521ZSA	RCF3621STAM	35400 [10.4]	26000 [7.6]	9400 [2.8]	14.00	11.50	1150 [542.7]	34000 [10.0]	3.66	22400 [6.6]	2.66	8.20	8378660
RP1436FC1	R801TA075521ZSB	RCF3621STAM	35400 [10.4]	26000 [7.6]	9400 [2.8]	14.00	11.50	1150 [542.7]	34000 [10.0]	3.66	22400 [6.6]	2.66	8.20	8378661
RP1436FC1	R801TA075521ZXA	RCF3621STAM	35400 [10.4]	26100 [7.6]	9300 [2.7]	14.00	11.50	1175 [554.5]	34000 [10.0]	3.66	22400 [6.6]	2.66	8.20	8378662
RP1436FC1	R801TA075521ZXB	RCF3621STAM	35400 [10.4]	26100 [7.6]	9300 [2.7]	14.00	11.50	1175 [554.5]	34000 [10.0]	3.66	22400 [6.6]	2.66	8.20	8378663
RP1436FC1	R801TA075521ZXA	RCF3621STAM	35400 [10.4]	26100 [7.6]	9300 [2.7]	14.00	11.50	1175 [554.5]	34000 [10.0]	3.66	22400 [6.6]	2.66	8.20	8378664
RP1436FC1	R801TA075521ZXB	RCF3621STAM	35400 [10.4]	26100 [7.6]	9300 [2.7]	14.00	11.50	1175 [554.5]	34000 [10.0]	3.66	22400 [6.6]	2.66	8.20	8378665
RP1436FC1	R801TA075521ZXB	RCF3621STAM	35400 [10.4]	26100 [7.6]	9300 [2.7]	14.00	11.50	1175 [554.5]	34000 [10.0]	3.66	22400 [6.6]	2.66	8.20	8378666

[] Designates Metric Conversions

Performance Data @ AHRI Standard Conditions – Heat Pump (con't.)

R801T: Achiever Plus Single-Stage X-13 80% Furnace Ratings														
Outdoor Unit	Furnace	Indoor Coil	Total Capacity BTU/H [kW]	Net Sensible BTU/H [kW]	Net Latent BTU/H [kW]	SEER	EER	Indoor CFM [L/s]	47 Degree Heating Capacity BTU/H [kW]	47 Degree COP	17 Degree Heating Capacity BTU/H [kW]	47 Degree COP	Region IV HSPF	AHRI#
RP1436FC1	R801TA100521ZSA	RCF3621STAM	35400 [10.4]	26100 [7.6]	9300 [2.7]	14.00	11.50	1175 [554.5]	34000 [10.0]	3.66	22400 [6.6]	2.66	8.20	8378667
RP1436FC1	R801TA100521ZSB	RCF3621STAM	35400 [10.4]	26100 [7.6]	9300 [2.7]	14.00	11.50	1175 [554.5]	34000 [10.0]	3.66	22400 [6.6]	2.66	8.20	8378668
RP1436FC1	R801TA100521ZXA	RCF3621STAM	35400 [10.4]	26100 [7.6]	9300 [2.7]	14.00	11.50	1175 [554.5]	34000 [10.0]	3.66	22400 [6.6]	2.66	8.20	8378669
RP1436FC1	R801TA100521ZXB	RCF3621STAM	35400 [10.4]	26100 [7.6]	9300 [2.7]	14.00	11.50	1175 [554.5]	34000 [10.0]	3.66	22400 [6.6]	2.66	8.20	8378670
RP1436FC1	R801TB075317ZSB	RCF3617STAM	35200 [10.3]	26000 [7.6]	9200 [2.7]	14.00	11.50	1200 [566.3]	34200 [10.0]	3.54	22600 [6.6]	2.60	8.20	8378631
RP1436FC1	R801TB075317ZXB	RCF3617STAM	35200 [10.3]	26000 [7.6]	9200 [2.7]	14.00	11.50	1200 [566.3]	34200 [10.0]	3.60	22600 [6.6]	2.60	8.20	8378632
RP1436FC1	R801TB075521ZSB	RCF3621STAM	35400 [10.4]	26100 [7.6]	9300 [2.7]	14.00	11.50	1175 [554.5]	34000 [10.0]	3.66	22400 [6.6]	2.66	8.20	8378673
RP1436FC1	R801TB075521ZXB	RCF3621STAM	35400 [10.4]	26100 [7.6]	9300 [2.7]	14.00	11.50	1175 [554.5]	34000 [10.0]	3.66	22400 [6.6]	2.66	8.20	8378674
RP1436FC1	R801TB100521ZSB	RCF3621STAM	35400 [10.4]	26100 [7.6]	9300 [2.7]	14.00	11.50	1175 [554.5]	34000 [10.0]	3.66	22400 [6.6]	2.66	8.20	8378675
RP1436FC1	R801TB100521ZXB	RCF3621STAM	35400 [10.4]	26100 [7.6]	9300 [2.7]	14.00	11.50	1175 [554.5]	34000 [10.0]	3.66	22400 [6.6]	2.66	8.20	8378676
RP1436FJ1	R801TA050314MSA	RCF3617STAM	35200 [10.3]	25900 [7.6]	9300 [2.7]	14.00	11.50	1175 [554.5]	34200 [10.0]	3.60	22400 [6.6]	2.60	8.20	8379221
RP1436FJ1	R801TA050314MXA	RCF3617STAM	35200 [10.3]	25900 [7.6]	9300 [2.7]	14.00	11.50	1175 [554.5]	34200 [10.0]	3.60	22400 [6.6]	2.60	8.20	8379222
RP1436FJ1	R801TA075317ZSA	RCF3617STAM	35200 [10.3]	26000 [7.6]	9200 [2.7]	14.00	11.50	1200 [566.3]	34200 [10.0]	3.54	22600 [6.6]	2.60	8.20	8379223
RP1436FJ1	R801TA075317ZSB	RCF3617STAM	35200 [10.3]	26000 [7.6]	9200 [2.7]	14.00	11.50	1200 [566.3]	34200 [10.0]	3.60	22600 [6.6]	2.60	8.20	8379253
RP1436FJ1	R801TA075521ZSA	RCF3621STAM	35200 [10.3]	26000 [7.6]	9200 [2.7]	14.00	11.50	1200 [566.3]	34200 [10.0]	3.54	22600 [6.6]	2.60	8.20	8379224
RP1436FJ1	R801TA075521ZXB	RCF3621STAM	35200 [10.3]	26000 [7.6]	9200 [2.7]	14.00	11.50	1200 [566.3]	34200 [10.0]	3.60	22600 [6.6]	2.60	8.20	8379254
RP1436FJ1	R801TA075317ZXA	RCF3617STAM	35200 [10.3]	26000 [7.6]	9200 [2.7]	14.00	11.50	1200 [566.3]	34200 [10.0]	3.60	22600 [6.6]	2.60	8.20	8379225
RP1436FJ1	R801TA075317ZXB	RCF3617STAM	35200 [10.3]	26000 [7.6]	9200 [2.7]	14.00	11.50	1200 [566.3]	34200 [10.0]	3.54	22600 [6.6]	2.60	8.20	8379255
RP1436FJ1	R801TA075417MSA	RCF3621STAM	35600 [10.4]	26600 [7.8]	9000 [2.6]	14.00	11.50	1225 [578.1]	34200 [10.0]	3.60	22600 [6.6]	2.60	8.20	8379226
RP1436FJ1	R801TA075417MXA	RCF3621STAM	35600 [10.4]	26600 [7.8]	9000 [2.6]	14.00	11.50	1225 [578.1]	34200 [10.0]	3.60	22600 [6.6]	2.60	8.20	8379256
RP1436FJ1	R801TA075421MSA	RCF3617STAM	35600 [10.4]	26600 [7.8]	9400 [2.8]	14.00	11.50	1150 [542.7]	34000 [10.0]	3.66	22400 [6.6]	2.66	8.20	8379227
RP1436FJ1	R801TA075421MXA	RCF3617STAM	35600 [10.4]	26600 [7.8]	9400 [2.8]	14.00	11.50	1150 [542.7]	34000 [10.0]	3.66	22400 [6.6]	2.66	8.20	8379257
RP1436FJ1	R801TA075521ZSA	RCF3621STAM	35400 [10.4]	26000 [7.6]	9300 [2.7]	14.00	11.50	1175 [554.5]	34000 [10.0]	3.60	22400 [6.6]	2.60	8.20	8379228
RP1436FJ1	R801TA075521ZXB	RCF3621STAM	35400 [10.4]	26000 [7.6]	9300 [2.7]	14.00	11.50	1175 [554.5]	34000 [10.0]	3.66	22400 [6.6]	2.66	8.20	8379258
RP1436FJ1	R801TA075521ZXA	RCF3621STAM	35400 [10.4]	26100 [7.6]	9300 [2.7]	14.00	11.50	1175 [554.5]	34000 [10.0]	3.66	22400 [6.6]	2.66	8.20	8379259
RP1436FJ1	R801TA075521ZXB	RCF3621STAM	35400 [10.4]	26100 [7.6]	9300 [2.7]	14.00	11.50	1175 [554.5]	34000 [10.0]	3.66	22400 [6.6]	2.66	8.20	8379260
RP1436FJ1	R801TA100521ZSA	RCF3621STAM	35400 [10.4]	26100 [7.6]	9300 [2.7]	14.00	11.50	1175 [554.5]	34000 [10.0]	3.66	22400 [6.6]	2.66	8.20	8379261
RP1436FJ1	R801TA100521ZXB	RCF3621STAM	35400 [10.4]	26100 [7.6]	9300 [2.7]	14.00	11.50	1175 [554.5]	34000 [10.0]	3.66	22400 [6.6]	2.66	8.20	8379262
RP1436FJ1	R801TA100521ZXA	RCF3621STAM	35400 [10.4]	26100 [7.6]	9300 [2.7]	14.00	11.50	1175 [554.5]	34000 [10.0]	3.66	22400 [6.6]	2.66	8.20	8379263
RP1436FJ1	R801TA100521ZXB	RCF3621STAM	35400 [10.4]	26100 [7.6]	9300 [2.7]	14.00	11.50	1175 [554.5]	34000 [10.0]	3.66	22400 [6.6]	2.66	8.20	8379264
RP1436FJ1	R801TA100521ZSA	RCF3621STAM	35400 [10.4]	26100 [7.6]	9300 [2.7]	14.00	11.50	1175 [554.5]	34000 [10.0]	3.66	22400 [6.6]	2.66	8.20	8379265
RP1436FJ1	R801TA100521ZXB	RCF3621STAM	35400 [10.4]	26100 [7.6]	9300 [2.7]	14.00	11.50	1175 [554.5]	34000 [10.0]	3.66	22400 [6.6]	2.66	8.20	8379266
RP1436FJ1	R801TA100521ZXA	RCF3621STAM	35400 [10.4]	26100 [7.6]	9300 [2.7]	14.00	11.50	1175 [554.5]	34000 [10.0]	3.66	22400 [6.6]	2.66	8.20	8379267

[] Designates Metric Conversions

Performance Data @ AHRI Standard Conditions – Heat Pump (con't.)

R801T: Achiever Plus Single-Stage X-13 80% Furnace Ratings														
Outdoor Unit	Furnace	Indoor Coil	Total Capacity BTU/H [kW]	Net Sensible BTU/H [kW]	Net Latent BTU/H [kW]	SEER	EER	Indoor CFM [L/s]	47 Degree Heating Capacity BTU/H [kW]	47 Degree COP	17 Degree Heating Capacity BTU/H [kW]	47 Degree COP	Region IV HSPF	AHRI#
RP1436FJ1	R801TA100521ZXB	RCF3621STAM	35400 [10.4]	26100 [7.6]	9300 [2.7]	14.00	11.50	1175 [554.5]	34000 [10.0]	3.66	22400 [6.6]	2.66	8.20	8379268
RP1436FJ1	R801TB075317ZSB	RCF3617STAM	35200 [10.3]	26000 [7.6]	9200 [2.7]	14.00	11.50	1200 [566.3]	34200 [10.0]	3.54	22600 [6.6]	2.60	8.20	8379229
RP1436FJ1	R801TB075317ZSB	RCF3621STAM	35200 [10.3]	26000 [7.6]	9200 [2.7]	14.00	11.50	1200 [566.3]	34200 [10.0]	3.60	22600 [6.6]	2.60	8.20	8379269
RP1436FJ1	R801TB075317ZXB	RCF3617STAM	35200 [10.3]	26000 [7.6]	9200 [2.7]	14.00	11.50	1200 [566.3]	34200 [10.0]	3.54	22600 [6.6]	2.60	8.20	8379230
RP1436FJ1	R801TB075521ZSB	RCF3621STAM	35200 [10.3]	26000 [7.6]	9200 [2.7]	14.00	11.50	1200 [566.3]	34200 [10.0]	3.60	22600 [6.6]	2.60	8.20	8379270
RP1436FJ1	R801TB075521ZXB	RCF3621STAM	35400 [10.4]	26100 [7.6]	9300 [2.7]	14.00	11.50	1175 [554.5]	34000 [10.0]	3.66	22400 [6.6]	2.66	8.20	8379271
RP1436FJ1	R801TB100521ZSB	RCF3621STAM	35400 [10.4]	26100 [7.6]	9300 [2.7]	14.00	11.50	1175 [554.5]	34000 [10.0]	3.66	22400 [6.6]	2.66	8.20	8379272
RP1436FJ1	R801TB100521ZXB	RCF3621STAM	35400 [10.4]	26100 [7.6]	9300 [2.7]	14.00	11.50	1175 [554.5]	34000 [10.0]	3.66	22400 [6.6]	2.66	8.20	8379273
RP1442FC1	R801TA075317ZSA	RCF4821STAM	42000 [12.3]	29900 [8.8]	12100 [3.5]	14.00	11.50	1350 [637.1]	40500 [11.9]	3.66	26200 [7.7]	2.54	8.20	8379274
RP1442FC1	R801TA075317ZSB	RCF4821STAM	42000 [12.3]	29900 [8.8]	12100 [3.5]	14.00	11.50	1350 [637.1]	40500 [11.9]	3.66	26200 [7.7]	2.54	8.20	8378727
RP1442FC1	R801TA075317ZXA	RCF4821STAM	42000 [12.3]	29900 [8.8]	12100 [3.5]	14.00	11.50	1350 [637.1]	40500 [11.9]	3.66	26200 [7.7]	2.54	8.20	8378728
RP1442FC1	R801TA075317ZXB	RCF4821STAM	42000 [12.3]	29900 [8.8]	12100 [3.5]	14.00	11.50	1350 [637.1]	40500 [11.9]	3.66	26200 [7.7]	2.54	8.20	8378729
RP1442FC1	R801TA075417MSA	RCF4821STAM	42000 [12.3]	29500 [8.6]	12500 [3.7]	14.00	11.50	1275 [601.7]	40000 [11.7]	3.76	25600 [7.5]	2.60	8.20	8378730
RP1442FC1	R801TA075417MXA	RCF4821STAM	42000 [12.3]	29500 [8.6]	12500 [3.7]	14.00	11.50	1275 [601.7]	40000 [11.7]	3.76	25600 [7.5]	2.60	8.20	8378731
RP1442FC1	R801TA075421MSA	RCF4821STAM	41500 [12.2]	28800 [8.4]	12700 [3.7]	14.00	11.50	1225 [578.1]	39500 [11.6]	3.76	25200 [7.4]	2.60	8.20	8378732
RP1442FC1	R801TA075421MXA	RCF4824STAM	41500 [12.2]	28800 [8.4]	12700 [3.7]	14.00	11.50	1225 [578.1]	39500 [11.6]	3.76	25200 [7.4]	2.60	8.20	8378782
RP1442FC1	R801TA075421MXA	RCF4821STAM	41500 [12.2]	28800 [8.4]	12700 [3.7]	14.00	11.50	1225 [578.1]	39500 [11.6]	3.76	25200 [7.4]	2.60	8.20	8378733
RP1442FC1	R801TA075521ZSA	RCF4824STAM	41500 [12.2]	28800 [8.4]	12700 [3.7]	14.00	11.50	1225 [578.1]	39500 [11.6]	3.70	25200 [7.4]	2.60	8.20	8378783
RP1442FC1	R801TA075521ZSA	RCF4821STAM	41500 [12.2]	28800 [8.4]	12700 [3.7]	14.00	11.50	1225 [578.1]	39500 [11.6]	3.70	25200 [7.4]	2.60	8.20	8378734
RP1442FC1	R801TA075521ZSB	RCF4821STAM	41500 [12.2]	28800 [8.4]	12700 [3.7]	14.00	11.50	1225 [578.1]	39500 [11.6]	3.70	25200 [7.4]	2.60	8.20	8378784
RP1442FC1	R801TA075521ZSB	RCF4824STAM	41500 [12.2]	28800 [8.4]	12700 [3.7]	14.00	11.50	1225 [578.1]	39500 [11.6]	3.70	25200 [7.4]	2.60	8.20	8378735
RP1442FC1	R801TA075521ZXA	RCF4824STAM	41500 [12.2]	28800 [8.4]	12700 [3.7]	14.00	11.50	1225 [578.1]	39500 [11.6]	3.70	25200 [7.4]	2.60	8.20	8378785
RP1442FC1	R801TA075521ZXA	RCF4821STAM	41500 [12.2]	28800 [8.4]	12700 [3.7]	14.00	11.50	1225 [578.1]	39500 [11.6]	3.70	25200 [7.4]	2.60	8.20	8378736
RP1442FC1	R801TA075521ZXB	RCF4824STAM	41500 [12.2]	28800 [8.4]	12700 [3.7]	14.00	11.50	1225 [578.1]	39500 [11.6]	3.70	25200 [7.4]	2.60	8.20	8378786
RP1442FC1	R801TA100521MSA	RCF4821STAM	41500 [12.2]	28800 [8.4]	12700 [3.7]	14.00	11.50	1225 [578.1]	39500 [11.6]	3.70	25200 [7.4]	2.60	8.20	8378737
RP1442FC1	R801TA100521MSA	RCF4824STAM	41500 [12.2]	28800 [8.4]	12700 [3.7]	14.00	11.50	1225 [578.1]	39500 [11.6]	3.70	25200 [7.4]	2.60	8.20	8378787
RP1442FC1	R801TA100521MXA	RCF4821STAM	42000 [12.3]	30100 [8.8]	11900 [3.5]	14.00	11.50	1400 [660.7]	40000 [11.7]	3.76	25600 [7.5]	2.60	8.20	8378738
RP1442FC1	R801TA100521MXA	RCF4824STAM	42000 [12.3]	30100 [8.8]	11900 [3.5]	14.00	11.50	1400 [660.7]	40000 [11.7]	3.76	25600 [7.5]	2.60	8.20	8378788
RP1442FC1	R801TA100521MXA	RCF4821STAM	42000 [12.3]	30100 [8.8]	11900 [3.5]	14.00	11.50	1400 [660.7]	40000 [11.7]	3.76	25600 [7.5]	2.60	8.20	8378739
RP1442FC1	R801TA100521MXA	RCF4824STAM	42000 [12.3]	30100 [8.8]	11900 [3.5]	14.00	11.50	1400 [660.7]	40000 [11.7]	3.76	25600 [7.5]	2.60	8.20	8378789
RP1442FC1	R801TA100521ZSA	RCF4821STAM	41500 [12.2]	28800 [8.4]	12700 [3.7]	14.00	11.50	1225 [578.1]	39500 [11.6]	3.76	25200 [7.4]	2.60	8.20	8378740
RP1442FC1	R801TA100521ZSA	RCF4824STAM	41500 [12.2]	28800 [8.4]	12700 [3.7]	14.00	11.50	1225 [578.1]	39500 [11.6]	3.76	25200 [7.4]	2.60	8.20	8378790
RP1442FC1	R801TA100521ZSB	RCF4821STAM	41500 [12.2]	28800 [8.4]	12700 [3.7]	14.00	11.50	1225 [578.1]	39500 [11.6]	3.76	25200 [7.4]	2.60	8.20	8378741
RP1442FC1	R801TA100521ZSB	RCF4824STAM	41500 [12.2]	28800 [8.4]	12700 [3.7]	14.00	11.50	1225 [578.1]	39500 [11.6]	3.76	25200 [7.4]	2.60	8.20	8378791

[] Designates Metric Conversions

Performance Data @ AHRI Standard Conditions – Heat Pump (con't.)

R801T: Achiever Plus Single-Stage X-13 80% Furnace Ratings														
Outdoor Unit	Furnace	Indoor Coil	Total Capacity BTU/H [kW]	Net Sensible BTU/H [kW]	Net Latent BTU/H [kW]	SEER	EER	Indoor CFM [L/s]	47 Degree Heating Capacity BTU/H [kW]	47 Degree COP	17 Degree Heating Capacity BTU/H [kW]	47 Degree COP	Region IV HSPF	AHRI#
RP1442FC1	R801TA100521ZXA	RCF4821STAM	41500 [12.2]	28800 [8.4]	12700 [3.7]	14.00	11.50	1225 [578.1]	39500 [11.6]	3.76	25200 [7.4]	2.60	8.20	8378742
		RCF4824STAM	41500 [12.2]	28800 [8.4]	12700 [3.7]	14.00	11.50	1225 [578.1]	39500 [11.6]	3.76	25200 [7.4]	2.60	8.20	8378792
RP1442FC1	R801TA100521ZXB	RCF4821STAM	41500 [12.2]	28800 [8.4]	12700 [3.7]	14.00	11.50	1225 [578.1]	39500 [11.6]	3.76	25200 [7.4]	2.60	8.20	8378743
		RCF4824STAM	41500 [12.2]	28800 [8.4]	12700 [3.7]	14.00	11.50	1225 [578.1]	39500 [11.6]	3.76	25200 [7.4]	2.60	8.20	8378793
RP1442FC1	R801TA125524MMSA	RCF4824STAM	42000 [12.3]	30100 [8.8]	11900 [3.5]	14.00	11.50	1350 [637.1]	40000 [11.7]	3.80	25600 [7.5]	2.66	8.20	8378794
RP1442FC1	R801TA125524MMSA	RCF4824STAM	42000 [12.3]	30100 [8.8]	11900 [3.5]	14.00	11.50	1350 [637.1]	40000 [11.7]	3.80	25600 [7.5]	2.66	8.20	8378795
RP1442FC1	R801TA125524ZSA	RCF4824STAM	42000 [12.3]	29900 [8.8]	12100 [3.5]	14.00	11.50	1350 [637.1]	40000 [11.7]	3.76	25800 [7.6]	2.60	8.20	8378796
RP1442FC1	R801TA125524ZSB	RCF4824STAM	42000 [12.3]	29900 [8.8]	12100 [3.5]	14.00	11.50	1350 [637.1]	40000 [11.7]	3.76	25800 [7.6]	2.60	8.20	8378797
RP1442FC1	R801TA125524ZXA	RCF4824STAM	42000 [12.3]	29900 [8.8]	12100 [3.5]	14.00	11.50	1350 [637.1]	40000 [11.7]	3.76	25800 [7.6]	2.60	8.20	8378798
RP1442FC1	R801TA125524ZXB	RCF4824STAM	42000 [12.3]	29900 [8.8]	12100 [3.5]	14.00	11.50	1350 [637.1]	40000 [11.7]	3.76	25800 [7.6]	2.60	8.20	8378799
RP1442FC1	R801TB075317ZSB	RCF4821STAM	42000 [12.3]	29900 [8.8]	12100 [3.5]	14.00	11.50	1350 [637.1]	40500 [11.9]	3.66	26200 [7.7]	2.54	8.20	8378744
RP1442FC1	R801TB075317ZXB	RCF4821STAM	42000 [12.3]	29900 [8.8]	12100 [3.5]	14.00	11.50	1350 [637.1]	40500 [11.9]	3.66	26200 [7.7]	2.54	8.20	8378745
RP1442FC1	R801TB075521ZSB	RCF4821STAM	41500 [12.2]	28800 [8.4]	12700 [3.7]	14.00	11.50	1225 [578.1]	39500 [11.6]	3.70	25200 [7.4]	2.60	8.20	8378746
		RCF4824STAM	41500 [12.2]	28800 [8.4]	12700 [3.7]	14.00	11.50	1225 [578.1]	39500 [11.6]	3.70	25200 [7.4]	2.60	8.20	8378800
RP1442FC1	R801TB075521ZXB	RCF4821STAM	41500 [12.2]	28800 [8.4]	12700 [3.7]	14.00	11.50	1225 [578.1]	39500 [11.6]	3.70	25200 [7.4]	2.60	8.20	8378747
RP1442FC1	R801TB075521ZSB	RCF4824STAM	41500 [12.2]	28800 [8.4]	12700 [3.7]	14.00	11.50	1225 [578.1]	39500 [11.6]	3.70	25200 [7.4]	2.60	8.20	8378801
RP1442FC1	R801TB100521ZSB	RCF4821STAM	41500 [12.2]	28800 [8.4]	12700 [3.7]	14.00	11.50	1225 [578.1]	39500 [11.6]	3.76	25200 [7.4]	2.60	8.20	8378748
RP1442FC1	R801TB100521ZXB	RCF4824STAM	41500 [12.2]	28800 [8.4]	12700 [3.7]	14.00	11.50	1225 [578.1]	39500 [11.6]	3.76	25200 [7.4]	2.60	8.20	8378802
RP1442FC1	R801TB125524ZSB	RCF4821STAM	41500 [12.2]	28800 [8.4]	12700 [3.7]	14.00	11.50	1225 [578.1]	39500 [11.6]	3.76	25200 [7.4]	2.60	8.20	8378749
RP1442FC1	R801TB125524ZSB	RCF4824STAM	41500 [12.2]	28800 [8.4]	12700 [3.7]	14.00	11.50	1225 [578.1]	39500 [11.6]	3.76	25200 [7.4]	2.60	8.20	8378803
RP1442FC1	R801TB125524ZXA	RCF4824STAM	42000 [12.3]	29900 [8.8]	12100 [3.5]	14.00	11.50	1350 [637.1]	40000 [11.7]	3.76	25800 [7.6]	2.60	8.20	8378804
RP1442FC1	R801TB125524ZXB	RCF4824STAM	42000 [12.3]	29900 [8.8]	12100 [3.5]	14.00	11.50	1350 [637.1]	40000 [11.7]	3.76	25800 [7.6]	2.60	8.20	8378805
RP1442FC1	R801TA075317ZSA	RCF4821STAM	42000 [12.3]	29900 [8.8]	12100 [3.5]	14.00	11.50	1350 [637.1]	40500 [11.9]	3.66	26200 [7.7]	2.54	8.20	8379319
RP1442FC1	R801TA075317ZSB	RCF4821STAM	42000 [12.3]	29900 [8.8]	12100 [3.5]	14.00	11.50	1350 [637.1]	40500 [11.9]	3.66	26200 [7.7]	2.54	8.20	8379320
RP1442FC1	R801TA075317ZXA	RCF4821STAM	42000 [12.3]	29900 [8.8]	12100 [3.5]	14.00	11.50	1350 [637.1]	40500 [11.9]	3.66	26200 [7.7]	2.54	8.20	8379321
RP1442FC1	R801TA075317ZXB	RCF4821STAM	42000 [12.3]	29900 [8.8]	12100 [3.5]	14.00	11.50	1350 [637.1]	40500 [11.9]	3.66	26200 [7.7]	2.54	8.20	8379322
RP1442FC1	R801TA075417MMSA	RCF4821STAM	42000 [12.3]	29500 [8.6]	12500 [3.7]	14.00	11.50	1275 [601.7]	40000 [11.7]	3.76	25600 [7.5]	2.60	8.20	8379323
RP1442FC1	R801TA075417MMSA	RCF4821STAM	42000 [12.3]	29500 [8.6]	12500 [3.7]	14.00	11.50	1275 [601.7]	40000 [11.7]	3.76	25600 [7.5]	2.60	8.20	8379324
RP1442FC1	R801TA075417MXA	RCF4821STAM	42000 [12.3]	29500 [8.6]	12500 [3.7]	14.00	11.50	1275 [601.7]	40000 [11.7]	3.76	25600 [7.5]	2.60	8.20	8379325
		RCF4824STAM	41500 [12.2]	28800 [8.4]	12700 [3.7]	14.00	11.50	1225 [578.1]	39500 [11.6]	3.76	25200 [7.4]	2.60	8.20	8379326
RP1442FC1	R801TA075421MMSA	RCF4821STAM	41500 [12.2]	28800 [8.4]	12700 [3.7]	14.00	11.50	1225 [578.1]	39500 [11.6]	3.76	25200 [7.4]	2.60	8.20	8379375
RP1442FC1	R801TA075421MXA	RCF4821STAM	41500 [12.2]	28800 [8.4]	12700 [3.7]	14.00	11.50	1225 [578.1]	39500 [11.6]	3.76	25200 [7.4]	2.60	8.20	8379326
RP1442FC1	R801TA075421ZSA	RCF4824STAM	41500 [12.2]	28800 [8.4]	12700 [3.7]	14.00	11.50	1225 [578.1]	39500 [11.6]	3.70	25200 [7.4]	2.60	8.20	8379376
RP1442FC1	R801TA075521ZSA	RCF4821STAM	41500 [12.2]	28800 [8.4]	12700 [3.7]	14.00	11.50	1225 [578.1]	39500 [11.6]	3.70	25200 [7.4]	2.60	8.20	8379327
		RCF4824STAM	41500 [12.2]	28800 [8.4]	12700 [3.7]	14.00	11.50	1225 [578.1]	39500 [11.6]	3.70	25200 [7.4]	2.60	8.20	8379377

[] Designates Metric Conversions

Performance Data @ AHRI Standard Conditions – Heat Pump (con't.)

R801T: Achiever Plus Single-Stage X-13 80% Furnace Ratings														
Outdoor Unit	Furnace	Indoor Coil	Total Capacity BTU/H [kW]	Net Sensible BTU/H [kW]	Net Latent BTU/H [kW]	SEER	EER	Indoor CFM [L/s]	47 Degree Heating Capacity BTU/H [kW]	47 Degree COP	17 Degree Heating Capacity BTU/H [kW]	47 Degree COP	Region IV HSPF	AHRI#
RP1442FJ1	R801TA075521ZSB	RCF4821STAM	41500 [12.2]	28800 [8.4]	12700 [3.7]	14.00	11.50	1225 [578.1]	39500 [11.6]	3.70	25200 [7.4]	2.60	8.20	8379328
		RCF4824STAM	41500 [12.2]	28800 [8.4]	12700 [3.7]	14.00	11.50	1225 [578.1]	39500 [11.6]	3.70	25200 [7.4]	2.60	8.20	8379378
RP1442FJ1	R801TA075521ZXA	RCF4821STAM	41500 [12.2]	28800 [8.4]	12700 [3.7]	14.00	11.50	1225 [578.1]	39500 [11.6]	3.70	25200 [7.4]	2.60	8.20	8379329
		RCF4824STAM	41500 [12.2]	28800 [8.4]	12700 [3.7]	14.00	11.50	1225 [578.1]	39500 [11.6]	3.70	25200 [7.4]	2.60	8.20	8379379
RP1442FJ1	R801TA075521ZXB	RCF4821STAM	41500 [12.2]	28800 [8.4]	12700 [3.7]	14.00	11.50	1225 [578.1]	39500 [11.6]	3.70	25200 [7.4]	2.60	8.20	8379330
		RCF4824STAM	41500 [12.2]	28800 [8.4]	12700 [3.7]	14.00	11.50	1225 [578.1]	39500 [11.6]	3.70	25200 [7.4]	2.60	8.20	8379380
RP1442FJ1	R801TA100521MISA	RCF4821STAM	42000 [12.3]	30100 [8.8]	11900 [3.5]	14.00	11.50	1400 [660.7]	40000 [11.7]	3.76	25600 [7.5]	2.60	8.20	8379331
		RCF4824STAM	42000 [12.3]	30100 [8.8]	11900 [3.5]	14.00	11.50	1400 [660.7]	40000 [11.7]	3.76	25600 [7.5]	2.60	8.20	8379381
RP1442FJ1	R801TA100521MIXA	RCF4821STAM	42000 [12.3]	30100 [8.8]	11900 [3.5]	14.00	11.50	1400 [660.7]	40000 [11.7]	3.76	25600 [7.5]	2.60	8.20	8379332
		RCF4824STAM	42000 [12.3]	30100 [8.8]	11900 [3.5]	14.00	11.50	1400 [660.7]	40000 [11.7]	3.76	25600 [7.5]	2.60	8.20	8379382
RP1442FJ1	R801TA100521ZSA	RCF4821STAM	41500 [12.2]	28800 [8.4]	12700 [3.7]	14.00	11.50	1225 [578.1]	39500 [11.6]	3.76	25200 [7.4]	2.60	8.20	8379333
		RCF4824STAM	41500 [12.2]	28800 [8.4]	12700 [3.7]	14.00	11.50	1225 [578.1]	39500 [11.6]	3.76	25200 [7.4]	2.60	8.20	8379383
RP1442FJ1	R801TA100521ZSB	RCF4821STAM	41500 [12.2]	28800 [8.4]	12700 [3.7]	14.00	11.50	1225 [578.1]	39500 [11.6]	3.76	25200 [7.4]	2.60	8.20	8379334
		RCF4824STAM	41500 [12.2]	28800 [8.4]	12700 [3.7]	14.00	11.50	1225 [578.1]	39500 [11.6]	3.76	25200 [7.4]	2.60	8.20	8379384
RP1442FJ1	R801TA100521ZXA	RCF4821STAM	41500 [12.2]	28800 [8.4]	12700 [3.7]	14.00	11.50	1225 [578.1]	39500 [11.6]	3.76	25200 [7.4]	2.60	8.20	8379335
		RCF4824STAM	41500 [12.2]	28800 [8.4]	12700 [3.7]	14.00	11.50	1225 [578.1]	39500 [11.6]	3.76	25200 [7.4]	2.60	8.20	8379385
RP1442FJ1	R801TA100521ZXB	RCF4821STAM	41500 [12.2]	28800 [8.4]	12700 [3.7]	14.00	11.50	1225 [578.1]	39500 [11.6]	3.76	25200 [7.4]	2.60	8.20	8379336
		RCF4824STAM	41500 [12.2]	28800 [8.4]	12700 [3.7]	14.00	11.50	1225 [578.1]	39500 [11.6]	3.76	25200 [7.4]	2.60	8.20	8379386
RP1442FJ1	R801TA125524MISA	RCF4824STAM	42000 [12.3]	30100 [8.8]	11900 [3.5]	14.00	11.50	1350 [637.1]	40000 [11.7]	3.80	25600 [7.5]	2.66	8.20	8379387
		RCF4821STAM	42000 [12.3]	30100 [8.8]	11900 [3.5]	14.00	11.50	1350 [637.1]	40000 [11.7]	3.80	25600 [7.5]	2.66	8.20	8379388
RP1442FJ1	R801TA125524MIXA	RCF4824STAM	42000 [12.3]	29900 [8.8]	12100 [3.5]	14.00	11.50	1350 [637.1]	40000 [11.7]	3.76	25800 [7.6]	2.60	8.20	8379389
		RCF4821STAM	42000 [12.3]	29900 [8.8]	12100 [3.5]	14.00	11.50	1350 [637.1]	40000 [11.7]	3.76	25800 [7.6]	2.60	8.20	8379390
RP1442FJ1	R801TA125524ZSA	RCF4824STAM	42000 [12.3]	29900 [8.8]	12100 [3.5]	14.00	11.50	1350 [637.1]	40000 [11.7]	3.76	25800 [7.6]	2.60	8.20	8379391
		RCF4821STAM	42000 [12.3]	29900 [8.8]	12100 [3.5]	14.00	11.50	1350 [637.1]	40000 [11.7]	3.76	25800 [7.6]	2.60	8.20	8379392
RP1442FJ1	R801TA125524ZXB	RCF4824STAM	42000 [12.3]	29900 [8.8]	12100 [3.5]	14.00	11.50	1350 [637.1]	40500 [11.9]	3.66	26200 [7.7]	2.54	8.20	8379337
		RCF4821STAM	42000 [12.3]	29900 [8.8]	12100 [3.5]	14.00	11.50	1350 [637.1]	40500 [11.9]	3.66	26200 [7.7]	2.54	8.20	8379338
RP1442FJ1	R801TB075521ZSB	RCF4821STAM	41500 [12.2]	28800 [8.4]	12700 [3.7]	14.00	11.50	1225 [578.1]	39500 [11.6]	3.70	25200 [7.4]	2.60	8.20	8379339
		RCF4824STAM	41500 [12.2]	28800 [8.4]	12700 [3.7]	14.00	11.50	1225 [578.1]	39500 [11.6]	3.70	25200 [7.4]	2.60	8.20	8379393
RP1442FJ1	R801TB075521ZXB	RCF4821STAM	41500 [12.2]	28800 [8.4]	12700 [3.7]	14.00	11.50	1225 [578.1]	39500 [11.6]	3.70	25200 [7.4]	2.60	8.20	8379340
		RCF4824STAM	41500 [12.2]	28800 [8.4]	12700 [3.7]	14.00	11.50	1225 [578.1]	39500 [11.6]	3.70	25200 [7.4]	2.60	8.20	8379394
RP1442FJ1	R801TB100521ZSB	RCF4821STAM	41500 [12.2]	28800 [8.4]	12700 [3.7]	14.00	11.50	1225 [578.1]	39500 [11.6]	3.76	25200 [7.4]	2.60	8.20	8379341
		RCF4824STAM	41500 [12.2]	28800 [8.4]	12700 [3.7]	14.00	11.50	1225 [578.1]	39500 [11.6]	3.76	25200 [7.4]	2.60	8.20	8379395
RP1442FJ1	R801TB100521ZXB	RCF4821STAM	41500 [12.2]	28800 [8.4]	12700 [3.7]	14.00	11.50	1225 [578.1]	39500 [11.6]	3.76	25200 [7.4]	2.60	8.20	8379342
		RCF4824STAM	41500 [12.2]	28800 [8.4]	12700 [3.7]	14.00	11.50	1225 [578.1]	39500 [11.6]	3.76	25200 [7.4]	2.60	8.20	8379396

[] Designates Metric Conversions

Performance Data @ AHRI Standard Conditions – Heat Pump (con't.)

R801T: Achiever Plus Single-Stage X-13 80% Furnace Ratings														
Outdoor Unit	Furnace	Indoor Coil	Total Capacity BTU/H [kW]	Net Sensible BTU/H [kW]	Net Latent BTU/H [kW]	SEER	EER	Indoor CFM [L/s]	47 Degree Heating Capacity BTU/H [kW]	47 Degree COP	17 Degree Heating Capacity BTU/H [kW]	47 Degree COP	Region IV HSPF	AHRI#
RP1442FJ1	R801TB125524ZSB	RCF4824STAM	42000 [12.3]	29900 [8.8]	12100 [3.5]	14.00	11.50	1350 [637.1]	40000 [11.7]	3.76	25800 [7.6]	2.60	8.20	8379397
RP1442FJ1	R801TB125524ZXB	RCF4824STAM	42000 [12.3]	29900 [8.8]	12100 [3.5]	14.00	11.50	1350 [637.1]	40000 [11.7]	3.76	25800 [7.6]	2.60	8.20	8379398
RP1448FC1	R801TA075417MSA	RCF4821STAM	46000 [13.5]	32600 [9.6]	13400 [3.9]	14.00	11.50	1425 [672.5]	45000 [13.2]	3.60	29000 [8.5]	2.54	8.20	8378848
RP1448FC1	R801TA075417MXA	RCF4821STAM	46000 [13.5]	32600 [9.6]	13400 [3.9]	14.00	11.50	1425 [672.5]	45000 [13.2]	3.60	29000 [8.5]	2.54	8.20	8378849
RP1448FC1	R801TA075421MSA	RCF4821STAM	46000 [13.5]	32400 [9.5]	13600 [4.0]	14.00	11.50	1400 [660.7]	44500 [13.0]	3.66	28600 [8.4]	2.54	8.20	8378850
RP1448FC1	R801TA075421MXA	RCF4824STAM	46000 [13.5]	32400 [9.5]	13600 [4.0]	14.00	11.50	1400 [660.7]	44500 [13.0]	3.66	28600 [8.4]	2.54	8.20	8378892
RP1448FC1	R801TA075521MSA	RCF4824STAM	46000 [13.5]	32400 [9.5]	13600 [4.0]	14.00	11.50	1400 [660.7]	44500 [13.0]	3.66	28600 [8.4]	2.54	8.20	8378851
RP1448FC1	R801TA075521ZSA	RCF4821STAM	46000 [13.5]	32400 [9.5]	13600 [4.0]	14.00	11.50	1400 [660.7]	44500 [13.0]	3.66	28600 [8.4]	2.54	8.20	8378893
RP1448FC1	R801TA075521ZSB	RCF4821STAM	46000 [13.5]	32400 [9.5]	13600 [4.0]	14.00	11.50	1400 [660.7]	44500 [13.0]	3.66	28600 [8.4]	2.54	8.20	8378852
RP1448FC1	R801TA075521ZXA	RCF4824STAM	46000 [13.5]	32400 [9.5]	13600 [4.0]	14.00	11.50	1400 [660.7]	44500 [13.0]	3.66	28600 [8.4]	2.54	8.20	8378894
RP1448FC1	R801TA075521ZXB	RCF4821STAM	46000 [13.5]	32400 [9.5]	13600 [4.0]	14.00	11.50	1400 [660.7]	44500 [13.0]	3.66	28600 [8.4]	2.54	8.20	8378853
RP1448FC1	R801TA075521ZXS	RCF4824STAM	46000 [13.5]	32400 [9.5]	13600 [4.0]	14.00	11.50	1400 [660.7]	44500 [13.0]	3.66	28600 [8.4]	2.54	8.20	8378895
RP1448FC1	R801TA075521ZXS	RCF4821STAM	46000 [13.5]	32400 [9.5]	13600 [4.0]	14.00	11.50	1400 [660.7]	44500 [13.0]	3.66	28600 [8.4]	2.54	8.20	8378854
RP1448FC1	R801TA075521ZXS	RCF4824STAM	46000 [13.5]	32400 [9.5]	13600 [4.0]	14.00	11.50	1400 [660.7]	44500 [13.0]	3.66	28600 [8.4]	2.54	8.20	8378896
RP1448FC1	R801TA075521ZXS	RCF4821STAM	46000 [13.5]	32400 [9.5]	13600 [4.0]	14.00	11.50	1400 [660.7]	44500 [13.0]	3.66	28600 [8.4]	2.54	8.20	8378855
RP1448FC1	R801TA075521ZXS	RCF4824STAM	46000 [13.5]	32400 [9.5]	13600 [4.0]	14.00	11.50	1400 [660.7]	44500 [13.0]	3.66	28600 [8.4]	2.54	8.20	8378897
RP1448FC1	R801TA100521MSA	RCF4821STAM	46000 [13.5]	32300 [9.5]	13700 [4.0]	14.00	11.50	1375 [648.9]	44500 [13.0]	3.70	28400 [8.3]	2.54	8.20	8378856
RP1448FC1	R801TA100521MXA	RCF4824STAM	46000 [13.5]	32300 [9.5]	13700 [4.0]	14.00	11.50	1375 [648.9]	44500 [13.0]	3.70	28400 [8.3]	2.54	8.20	8378898
RP1448FC1	R801TA100521ZSA	RCF4821STAM	46000 [13.5]	32300 [9.5]	13700 [4.0]	14.00	11.50	1375 [648.9]	44500 [13.0]	3.70	28400 [8.3]	2.54	8.20	8378857
RP1448FC1	R801TA100521ZSB	RCF4824STAM	46000 [13.5]	32300 [9.5]	13700 [4.0]	14.00	11.50	1375 [648.9]	44500 [13.0]	3.70	28400 [8.3]	2.54	8.20	8378899
RP1448FC1	R801TA100521ZXS	RCF4821STAM	46000 [13.5]	32400 [9.5]	13600 [4.0]	14.00	11.50	1400 [660.7]	44500 [13.0]	3.66	28600 [8.4]	2.54	8.20	8378858
RP1448FC1	R801TA100521ZXS	RCF4824STAM	46000 [13.5]	32400 [9.5]	13600 [4.0]	14.00	11.50	1400 [660.7]	44500 [13.0]	3.66	28600 [8.4]	2.54	8.20	8378900
RP1448FC1	R801TA100521ZXS	RCF4821STAM	46000 [13.5]	32400 [9.5]	13600 [4.0]	14.00	11.50	1400 [660.7]	44500 [13.0]	3.66	28600 [8.4]	2.54	8.20	8378859
RP1448FC1	R801TA100521ZXS	RCF4824STAM	46000 [13.5]	32400 [9.5]	13600 [4.0]	14.00	11.50	1400 [660.7]	44500 [13.0]	3.66	28600 [8.4]	2.54	8.20	8378901
RP1448FC1	R801TA100521ZXS	RCF4821STAM	46000 [13.5]	32400 [9.5]	13600 [4.0]	14.00	11.50	1400 [660.7]	44500 [13.0]	3.66	28600 [8.4]	2.54	8.20	8378860
RP1448FC1	R801TA100521ZXS	RCF4824STAM	46000 [13.5]	32400 [9.5]	13600 [4.0]	14.00	11.50	1400 [660.7]	44500 [13.0]	3.66	28600 [8.4]	2.54	8.20	8378902
RP1448FC1	R801TA125524MSA	RCF4821STAM	47000 [13.8]	34700 [10.2]	12300 [3.6]	14.00	11.50	1600 [755.1]	45000 [13.2]	3.60	29200 [8.6]	2.54	8.20	8378861
RP1448FC1	R801TA125524MXA	RCF4824STAM	47000 [13.8]	34700 [10.2]	12300 [3.6]	14.00	11.50	1600 [755.1]	45000 [13.2]	3.60	29200 [8.6]	2.54	8.20	8378903
RP1448FC1	R801TA125524ZSA	RCF4821STAM	47000 [13.8]	34900 [10.2]	12100 [3.5]	14.00	11.50	1625 [766.9]	45000 [13.2]	3.54	29600 [8.7]	2.50	8.20	8378904
RP1448FC1	R801TA125524ZSB	RCF4824STAM	47000 [13.8]	34900 [10.2]	12100 [3.5]	14.00	11.50	1625 [766.9]	45000 [13.2]	3.54	29600 [8.7]	2.50	8.20	8378905
RP1448FC1	R801TA125524ZXS	RCF4821STAM	47000 [13.8]	34900 [10.2]	12100 [3.5]	14.00	11.50	1625 [766.9]	45000 [13.2]	3.54	29600 [8.7]	2.50	8.20	8378906
RP1448FC1	R801TA125524ZXS	RCF4824STAM	47000 [13.8]	34900 [10.2]	12100 [3.5]	14.00	11.50	1625 [766.9]	45000 [13.2]	3.54	29600 [8.7]	2.50	8.20	8378907
RP1448FC1	R801TA125524ZXS	RCF4821STAM	47000 [13.8]	34900 [10.2]	12100 [3.5]	14.00	11.50	1625 [766.9]	45000 [13.2]	3.54	29600 [8.7]	2.50	8.20	8378908
RP1448FC1	R801TA125524ZXS	RCF4824STAM	47000 [13.8]	34900 [10.2]	12100 [3.5]	14.00	11.50	1625 [766.9]	45000 [13.2]	3.54	29600 [8.7]	2.50	8.20	8378909

[] Designates Metric Conversions

Performance Data @ AHRI Standard Conditions – Heat Pump (con't.)

R801T: Achiever Plus Single-Stage X-13 80% Furnace Ratings														
Outdoor Unit	Furnace	Indoor Coil	Total Capacity BTU/H [kW]	Net Sensible BTU/H [kW]	Net Latent BTU/H [kW]	SEER	EER	Indoor CFM [L/s]	47 Degree Heating Capacity BTU/H [kW]	47 Degree COP	17 Degree Heating Capacity BTU/H [kW]	47 Degree COP	Region IV HSPF	AHRI#
RP1448FC1	R801TB075521ZSB	RCF4821STAM	46000 [13.5]	32400 [9.5]	13600 [4.0]	14.00	11.50	1400 [660.7]	44500 [13.0]	3.66	28800 [8.4]	2.54	8.20	8378862
		RCF4824STAM	46000 [13.5]	32400 [9.5]	13600 [4.0]	14.00	11.50	1400 [660.7]	44500 [13.0]	3.66	28800 [8.4]	2.54	8.20	8378910
RP1448FC1	R801TB075521ZXB	RCF4821STAM	46000 [13.5]	32400 [9.5]	13600 [4.0]	14.00	11.50	1400 [660.7]	44500 [13.0]	3.66	28800 [8.4]	2.54	8.20	8378863
		RCF4824STAM	46000 [13.5]	32400 [9.5]	13600 [4.0]	14.00	11.50	1400 [660.7]	44500 [13.0]	3.66	28800 [8.4]	2.54	8.20	8378911
RP1448FC1	R801TB100521ZSB	RCF4821STAM	46000 [13.5]	32400 [9.5]	13600 [4.0]	14.00	11.50	1400 [660.7]	44500 [13.0]	3.66	28600 [8.4]	2.54	8.20	8378864
		RCF4824STAM	46000 [13.5]	32400 [9.5]	13600 [4.0]	14.00	11.50	1400 [660.7]	44500 [13.0]	3.66	28600 [8.4]	2.54	8.20	8378912
RP1448FC1	R801TB100521ZXB	RCF4821STAM	46000 [13.5]	32400 [9.5]	13600 [4.0]	14.00	11.50	1400 [660.7]	44500 [13.0]	3.66	28600 [8.4]	2.54	8.20	8378865
		RCF4824STAM	46000 [13.5]	32400 [9.5]	13600 [4.0]	14.00	11.50	1400 [660.7]	44500 [13.0]	3.66	28600 [8.4]	2.54	8.20	8378913
RP1448FC1	R801TB125524ZSB	RCF4824STAM	47000 [13.8]	34900 [10.2]	12100 [3.5]	14.00	11.50	1625 [766.9]	45000 [13.2]	3.54	29600 [8.7]	2.50	8.20	8378914
RP1448FC1	R801TB125524ZXB	RCF4824STAM	47000 [13.8]	34900 [10.2]	12100 [3.5]	14.00	11.50	1625 [766.9]	45000 [13.2]	3.54	29600 [8.7]	2.50	8.20	8378915
RP1448FJ1	R801TA075417MISA	RCF4821STAM	46000 [13.5]	32600 [9.6]	13400 [3.9]	14.00	11.50	1425 [672.5]	45000 [13.2]	3.60	29000 [8.5]	2.54	8.20	8379437
		RCF4824STAM	46000 [13.5]	32600 [9.6]	13400 [3.9]	14.00	11.50	1425 [672.5]	45000 [13.2]	3.60	29000 [8.5]	2.54	8.20	8379438
RP1448FJ1	R801TA075421MISA	RCF4821STAM	46000 [13.5]	32400 [9.5]	13600 [4.0]	14.00	11.50	1400 [660.7]	44500 [13.0]	3.66	28600 [8.4]	2.54	8.20	8379439
		RCF4824STAM	46000 [13.5]	32400 [9.5]	13600 [4.0]	14.00	11.50	1400 [660.7]	44500 [13.0]	3.66	28600 [8.4]	2.54	8.20	8379441
RP1448FJ1	R801TA075421MXA	RCF4821STAM	46000 [13.5]	32400 [9.5]	13600 [4.0]	14.00	11.50	1400 [660.7]	44500 [13.0]	3.66	28600 [8.4]	2.54	8.20	8379440
		RCF4824STAM	46000 [13.5]	32400 [9.5]	13600 [4.0]	14.00	11.50	1400 [660.7]	44500 [13.0]	3.66	28600 [8.4]	2.54	8.20	8379482
RP1448FJ1	R801TA075521ZSA	RCF4821STAM	46000 [13.5]	32400 [9.5]	13600 [4.0]	14.00	11.50	1400 [660.7]	44500 [13.0]	3.66	28800 [8.4]	2.54	8.20	8379441
		RCF4824STAM	46000 [13.5]	32400 [9.5]	13600 [4.0]	14.00	11.50	1400 [660.7]	44500 [13.0]	3.66	28800 [8.4]	2.54	8.20	8379483
RP1448FJ1	R801TA075521ZSB	RCF4821STAM	46000 [13.5]	32400 [9.5]	13600 [4.0]	14.00	11.50	1400 [660.7]	44500 [13.0]	3.66	28800 [8.4]	2.54	8.20	8379442
		RCF4824STAM	46000 [13.5]	32400 [9.5]	13600 [4.0]	14.00	11.50	1400 [660.7]	44500 [13.0]	3.66	28800 [8.4]	2.54	8.20	8379484
RP1448FJ1	R801TA075521ZXA	RCF4821STAM	46000 [13.5]	32400 [9.5]	13600 [4.0]	14.00	11.50	1400 [660.7]	44500 [13.0]	3.66	28800 [8.4]	2.54	8.20	8379443
		RCF4824STAM	46000 [13.5]	32400 [9.5]	13600 [4.0]	14.00	11.50	1400 [660.7]	44500 [13.0]	3.66	28800 [8.4]	2.54	8.20	8379485
RP1448FJ1	R801TA075521ZXB	RCF4821STAM	46000 [13.5]	32400 [9.5]	13600 [4.0]	14.00	11.50	1400 [660.7]	44500 [13.0]	3.66	28800 [8.4]	2.54	8.20	8379444
		RCF4824STAM	46000 [13.5]	32400 [9.5]	13600 [4.0]	14.00	11.50	1400 [660.7]	44500 [13.0]	3.66	28800 [8.4]	2.54	8.20	8379486
RP1448FJ1	R801TA100521MISA	RCF4821STAM	46000 [13.5]	32300 [9.5]	13700 [4.0]	14.00	11.50	1375 [648.9]	44500 [13.0]	3.70	28400 [8.3]	2.54	8.20	8379445
		RCF4824STAM	46000 [13.5]	32300 [9.5]	13700 [4.0]	14.00	11.50	1375 [648.9]	44500 [13.0]	3.70	28400 [8.3]	2.54	8.20	8379487
RP1448FJ1	R801TA100521MXA	RCF4821STAM	46000 [13.5]	32300 [9.5]	13700 [4.0]	14.00	11.50	1375 [648.9]	44500 [13.0]	3.70	28400 [8.3]	2.54	8.20	8379446
		RCF4824STAM	46000 [13.5]	32300 [9.5]	13700 [4.0]	14.00	11.50	1375 [648.9]	44500 [13.0]	3.70	28400 [8.3]	2.54	8.20	8379488
RP1448FJ1	R801TA100521ZSA	RCF4821STAM	46000 [13.5]	32400 [9.5]	13600 [4.0]	14.00	11.50	1400 [660.7]	44500 [13.0]	3.66	28600 [8.4]	2.54	8.20	8379447
		RCF4824STAM	46000 [13.5]	32400 [9.5]	13600 [4.0]	14.00	11.50	1400 [660.7]	44500 [13.0]	3.66	28600 [8.4]	2.54	8.20	8379489
RP1448FJ1	R801TA100521ZSB	RCF4821STAM	46000 [13.5]	32400 [9.5]	13600 [4.0]	14.00	11.50	1400 [660.7]	44500 [13.0]	3.66	28600 [8.4]	2.54	8.20	8379448
		RCF4824STAM	46000 [13.5]	32400 [9.5]	13600 [4.0]	14.00	11.50	1400 [660.7]	44500 [13.0]	3.66	28600 [8.4]	2.54	8.20	8379490
RP1448FJ1	R801TA100521ZXA	RCF4821STAM	46000 [13.5]	32400 [9.5]	13600 [4.0]	14.00	11.50	1400 [660.7]	44500 [13.0]	3.66	28600 [8.4]	2.54	8.20	8379449
		RCF4824STAM	46000 [13.5]	32400 [9.5]	13600 [4.0]	14.00	11.50	1400 [660.7]	44500 [13.0]	3.66	28600 [8.4]	2.54	8.20	8379491

[] Designates Metric Conversions

Performance Data @ AHRI Standard Conditions – Heat Pump (con't.)

R801T: Achiever Plus Single-Stage X-13 80% Furnace Ratings														
Outdoor Unit	Furnace	Indoor Coil	Total Capacity BTU/H [kW]	Net Sensible BTU/H [kW]	Net Latent BTU/H [kW]	SEER	EER	Indoor CFM [L/s]	47 Degree Heating Capacity BTU/H [kW]	47 Degree COP	17 Degree Heating Capacity BTU/H [kW]	47 Degree COP	Region IV HSPF	AHRI#
RP1448FJ1	R801TA100521ZXB	RCF4821STAM	46000 [13.5]	32400 [9.5]	13600 [4.0]	14.00	11.50	1400 [660.7]	44500 [13.0]	3.66	28600 [8.4]	2.54	8.20	8379450
RP1448FJ1	R801TA125524MISA	RCF4824STAM	46000 [13.5]	32400 [9.5]	13600 [4.0]	14.00	11.50	1400 [660.7]	44500 [13.0]	3.66	28600 [8.4]	2.54	8.20	8379492
RP1448FJ1	R801TA125524MISA	RCF4824STAM	47000 [13.8]	34700 [10.2]	12300 [3.6]	14.00	11.50	1600 [755.1]	45000 [13.2]	3.60	29200 [8.6]	2.54	8.20	8379493
RP1448FJ1	R801TA125524MISA	RCF4824STAM	47000 [13.8]	34700 [10.2]	12300 [3.6]	14.00	11.50	1600 [755.1]	45000 [13.2]	3.60	29200 [8.6]	2.54	8.20	8379494
RP1448FJ1	R801TA125524ZSA	RCF4824STAM	47000 [13.8]	34900 [10.2]	12100 [3.5]	14.00	11.50	1625 [766.9]	45000 [13.2]	3.54	29600 [8.7]	2.50	8.20	8379495
RP1448FJ1	R801TA125524ZSB	RCF4824STAM	47000 [13.8]	34900 [10.2]	12100 [3.5]	14.00	11.50	1625 [766.9]	45000 [13.2]	3.54	29600 [8.7]	2.50	8.20	8379496
RP1448FJ1	R801TA125524ZXA	RCF4824STAM	47000 [13.8]	34900 [10.2]	12100 [3.5]	14.00	11.50	1625 [766.9]	45000 [13.2]	3.54	29600 [8.7]	2.50	8.20	8379497
RP1448FJ1	R801TA125524ZXB	RCF4824STAM	47000 [13.8]	34900 [10.2]	12100 [3.5]	14.00	11.50	1625 [766.9]	45000 [13.2]	3.54	29600 [8.7]	2.50	8.20	8379498
RP1448FJ1	R801TB075521ZSB	RCF4821STAM	46000 [13.5]	32400 [9.5]	13600 [4.0]	14.00	11.50	1400 [660.7]	44500 [13.0]	3.66	28800 [8.4]	2.54	8.20	8379451
RP1448FJ1	R801TB075521ZSB	RCF4824STAM	46000 [13.5]	32400 [9.5]	13600 [4.0]	14.00	11.50	1400 [660.7]	44500 [13.0]	3.66	28800 [8.4]	2.54	8.20	8379452
RP1448FJ1	R801TB100521ZSB	RCF4821STAM	46000 [13.5]	32400 [9.5]	13600 [4.0]	14.00	11.50	1400 [660.7]	44500 [13.0]	3.66	28600 [8.4]	2.54	8.20	8379453
RP1448FJ1	R801TB100521ZSB	RCF4824STAM	46000 [13.5]	32400 [9.5]	13600 [4.0]	14.00	11.50	1400 [660.7]	44500 [13.0]	3.66	28600 [8.4]	2.54	8.20	8379451
RP1448FJ1	R801TB100521ZXB	RCF4821STAM	46000 [13.5]	32400 [9.5]	13600 [4.0]	14.00	11.50	1400 [660.7]	44500 [13.0]	3.66	28600 [8.4]	2.54	8.20	8379453
RP1448FJ1	R801TB100521ZXB	RCF4824STAM	46000 [13.5]	32400 [9.5]	13600 [4.0]	14.00	11.50	1400 [660.7]	44500 [13.0]	3.66	28600 [8.4]	2.54	8.20	8379451
RP1448FJ1	R801TB125524ZSB	RCF4824STAM	47000 [13.8]	34900 [10.2]	12100 [3.5]	14.00	11.50	1625 [766.9]	45000 [13.2]	3.54	29600 [8.7]	2.50	8.20	8379503
RP1448FJ1	R801TB125524ZXB	RCF4824STAM	47000 [13.8]	34900 [10.2]	12100 [3.5]	14.00	11.50	1625 [766.9]	45000 [13.2]	3.54	29600 [8.7]	2.50	8.20	8379504
RP1460FC1	R801TA075421MISA	RCF6024HTAM	57000 [16.7]	40200 [11.8]	16800 [4.9]	14.00	11.50	1650 [778.7]	55500 [16.3]	3.70	35200 [10.3]	2.60	8.20	8378959
RP1460FC1	R801TA075421MISA	RCF6024STAM	57000 [16.7]	40200 [11.8]	16800 [4.9]	14.00	11.50	1650 [778.7]	55500 [16.3]	3.70	35200 [10.3]	2.60	8.20	8379005
RP1460FC1	R801TA075421MXA	RCF6024HTAM	57000 [16.7]	40200 [11.8]	16800 [4.9]	14.00	11.50	1650 [778.7]	55500 [16.3]	3.70	35200 [10.3]	2.60	8.20	8378960
RP1460FC1	R801TA075421MXA	RCF6024STAM	57000 [16.7]	40200 [11.8]	16800 [4.9]	14.00	11.50	1650 [778.7]	55500 [16.3]	3.70	35200 [10.3]	2.60	8.20	8379006
RP1460FC1	R801TA075521ZSA	RCF6024HTAM	57000 [16.7]	40600 [11.9]	16400 [4.8]	14.00	11.50	1700 [802.3]	56500 [16.6]	3.70	35800 [10.5]	2.54	8.20	8378961
RP1460FC1	R801TA075521ZSA	RCF6024STAM	57000 [16.7]	40600 [11.9]	16400 [4.8]	14.00	11.50	1700 [802.3]	56500 [16.6]	3.70	35800 [10.5]	2.54	8.20	8379007
RP1460FC1	R801TA075521ZSB	RCF6024HTAM	57000 [16.7]	40600 [11.9]	16400 [4.8]	14.00	11.50	1700 [802.3]	56500 [16.6]	3.70	35800 [10.5]	2.54	8.20	8378962
RP1460FC1	R801TA075521ZSB	RCF6024STAM	57000 [16.7]	40600 [11.9]	16400 [4.8]	14.00	11.50	1700 [802.3]	56500 [16.6]	3.70	35800 [10.5]	2.54	8.20	8379008
RP1460FC1	R801TA075521ZXA	RCF6024HTAM	57000 [16.7]	40600 [11.9]	16400 [4.8]	14.00	11.50	1700 [802.3]	56500 [16.6]	3.70	35800 [10.5]	2.54	8.20	8378963
RP1460FC1	R801TA075521ZXA	RCF6024STAM	57000 [16.7]	40600 [11.9]	16400 [4.8]	14.00	11.50	1700 [802.3]	56500 [16.6]	3.70	35800 [10.5]	2.54	8.20	8379009
RP1460FC1	R801TA075521ZXB	RCF6024HTAM	57000 [16.7]	40600 [11.9]	16400 [4.8]	14.00	11.50	1700 [802.3]	56500 [16.6]	3.70	35800 [10.5]	2.54	8.20	8378964
RP1460FC1	R801TA075521ZXB	RCF6024STAM	57000 [16.7]	40600 [11.9]	16400 [4.8]	14.00	11.50	1700 [802.3]	56500 [16.6]	3.70	35800 [10.5]	2.54	8.20	8379010
RP1460FC1	R801TA100521MISA	RCF6024HTAM	58000 [17.0]	42600 [12.5]	15400 [4.5]	14.00	11.50	1825 [861.3]	56500 [16.6]	3.76	36000 [10.6]	2.66	8.20	8378965
RP1460FC1	R801TA100521MISA	RCF6024STAM	58000 [17.0]	42600 [12.5]	15400 [4.5]	14.00	11.50	1825 [861.3]	56500 [16.6]	3.76	36000 [10.6]	2.66	8.20	8379011
RP1460FC1	R801TA100521MXA	RCF6024HTAM	58000 [17.0]	42600 [12.5]	15400 [4.5]	14.00	11.50	1825 [861.3]	56500 [16.6]	3.76	36000 [10.6]	2.66	8.20	8378966
RP1460FC1	R801TA100521MXA	RCF6024STAM	58000 [17.0]	42600 [12.5]	15400 [4.5]	14.00	11.50	1825 [861.3]	56500 [16.6]	3.76	36000 [10.6]	2.66	8.20	8379012

[] Designates Metric Conversions

Performance Data @ AHRI Standard Conditions – Heat Pump (con't.)

R801T: Achiever Plus Single-Stage X-13 80% Furnace Ratings														
Outdoor Unit	Furnace	Indoor Coil	Total Capacity BTU/H [kW]	Net Sensible BTU/H [kW]	Net Latent BTU/H [kW]	SEER	EER	Indoor CFM [L/s]	47 Degree Heating Capacity BTU/H [kW]	47 Degree COP	17 Degree Heating Capacity BTU/H [kW]	47 Degree COP	Region IV HSPF	AHRI#
RP1460FC1	R801TA100521ZSA	RCF6024HTAM	57000 [16.7]	40600 [11.9]	16400 [4.8]	14.00	11.50	1700 [802.3]	56500 [16.6]	3.76	35600 [10.4]	2.60	8.20	8378967
		RCF6024STAM	57000 [16.7]	40600 [11.9]	16400 [4.8]	14.00	11.50	1700 [802.3]	56500 [16.6]	3.76	35600 [10.4]	2.60	8.20	8379013
RP1460FC1	R801TA100521ZSB	RCF6024HTAM	57000 [16.7]	40600 [11.9]	16400 [4.8]	14.00	11.50	1700 [802.3]	56500 [16.6]	3.76	35600 [10.4]	2.60	8.20	8378968
		RCF6024STAM	57000 [16.7]	40600 [11.9]	16400 [4.8]	14.00	11.50	1700 [802.3]	56500 [16.6]	3.76	35600 [10.4]	2.60	8.20	8379014
RP1460FC1	R801TA100521ZXA	RCF6024HTAM	57000 [16.7]	40600 [11.9]	16400 [4.8]	14.00	11.50	1700 [802.3]	56500 [16.6]	3.76	35600 [10.4]	2.60	8.20	8378969
		RCF6024STAM	57000 [16.7]	40600 [11.9]	16400 [4.8]	14.00	11.50	1700 [802.3]	56500 [16.6]	3.76	35600 [10.4]	2.60	8.20	8379015
RP1460FC1	R801TA100521ZXB	RCF6024HTAM	57000 [16.7]	40600 [11.9]	16400 [4.8]	14.00	11.50	1700 [802.3]	56500 [16.6]	3.76	35600 [10.4]	2.60	8.20	8378970
		RCF6024STAM	57000 [16.7]	40600 [11.9]	16400 [4.8]	14.00	11.50	1700 [802.3]	56500 [16.6]	3.76	35600 [10.4]	2.60	8.20	8379016
RP1460FC1	R801TA125524MSA	RCF6024HTAM	57500 [16.9]	41500 [12.2]	16000 [4.7]	14.00	11.50	1750 [825.9]	56000 [16.4]	3.80	35800 [10.5]	2.66	8.20	8378971
		RCF6024STAM	57500 [16.9]	41500 [12.2]	16000 [4.7]	14.00	11.50	1750 [825.9]	56000 [16.4]	3.80	35800 [10.5]	2.66	8.20	8379017
RP1460FC1	R801TA125524MXA	RCF6024HTAM	57500 [16.9]	41500 [12.2]	16000 [4.7]	14.00	11.50	1750 [825.9]	56000 [16.4]	3.80	35800 [10.5]	2.66	8.20	8378972
		RCF6024STAM	57500 [16.9]	41500 [12.2]	16000 [4.7]	14.00	11.50	1750 [825.9]	56000 [16.4]	3.80	35800 [10.5]	2.66	8.20	8379018
RP1460FC1	R801TA125524ZSA	RCF6024HTAM	57000 [16.7]	40400 [11.8]	16600 [4.9]	14.00	11.50	1675 [790.5]	56000 [16.4]	3.76	35400 [10.4]	2.60	8.20	8378973
		RCF6024STAM	57000 [16.7]	40400 [11.8]	16600 [4.9]	14.00	11.50	1675 [790.5]	56000 [16.4]	3.76	35400 [10.4]	2.60	8.20	8379019
RP1460FC1	R801TA125524ZSB	RCF6024HTAM	57000 [16.7]	40400 [11.8]	16600 [4.9]	14.00	11.50	1675 [790.5]	56000 [16.4]	3.76	35400 [10.4]	2.60	8.20	8378974
		RCF6024STAM	57000 [16.7]	40400 [11.8]	16600 [4.9]	14.00	11.50	1675 [790.5]	56000 [16.4]	3.76	35400 [10.4]	2.60	8.20	8378975
RP1460FC1	R801TA125524ZXA	RCF6024HTAM	57000 [16.7]	40400 [11.8]	16600 [4.9]	14.00	11.50	1675 [790.5]	56000 [16.4]	3.76	35400 [10.4]	2.60	8.20	8379021
		RCF6024STAM	57000 [16.7]	40400 [11.8]	16600 [4.9]	14.00	11.50	1675 [790.5]	56000 [16.4]	3.76	35400 [10.4]	2.60	8.20	8378976
RP1460FC1	R801TA125524ZXB	RCF6024HTAM	57000 [16.7]	40400 [11.8]	16600 [4.9]	14.00	11.50	1675 [790.5]	56000 [16.4]	3.76	35400 [10.4]	2.60	8.20	8379022
		RCF6024STAM	57000 [16.7]	40400 [11.8]	16600 [4.9]	14.00	11.50	1675 [790.5]	56000 [16.4]	3.70	35800 [10.5]	2.54	8.20	8378977
RP1460FC1	R801TB075521ZSB	RCF6024HTAM	57000 [16.7]	40600 [11.9]	16400 [4.8]	14.00	11.50	1700 [802.3]	56500 [16.6]	3.70	35800 [10.5]	2.54	8.20	8379023
		RCF6024STAM	57000 [16.7]	40600 [11.9]	16400 [4.8]	14.00	11.50	1700 [802.3]	56500 [16.6]	3.70	35800 [10.5]	2.54	8.20	8378978
RP1460FC1	R801TB075521ZXB	RCF6024HTAM	57000 [16.7]	40600 [11.9]	16400 [4.8]	14.00	11.50	1700 [802.3]	56500 [16.6]	3.70	35800 [10.5]	2.54	8.20	8379024
		RCF6024STAM	57000 [16.7]	40600 [11.9]	16400 [4.8]	14.00	11.50	1700 [802.3]	56500 [16.6]	3.70	35800 [10.5]	2.54	8.20	8378979
RP1460FC1	R801TB100521ZSB	RCF6024HTAM	57000 [16.7]	40600 [11.9]	16400 [4.8]	14.00	11.50	1700 [802.3]	56500 [16.6]	3.76	35600 [10.4]	2.60	8.20	8379025
		RCF6024STAM	57000 [16.7]	40600 [11.9]	16400 [4.8]	14.00	11.50	1700 [802.3]	56500 [16.6]	3.76	35600 [10.4]	2.60	8.20	8378980
RP1460FC1	R801TB125524ZSB	RCF6024HTAM	57000 [16.7]	40400 [11.8]	16600 [4.9]	14.00	11.50	1675 [790.5]	56000 [16.4]	3.76	35400 [10.4]	2.60	8.20	8379026
		RCF6024STAM	57000 [16.7]	40400 [11.8]	16600 [4.9]	14.00	11.50	1675 [790.5]	56000 [16.4]	3.76	35400 [10.4]	2.60	8.20	8378981
RP1460FC1	R801TB125524ZXB	RCF6024HTAM	57000 [16.7]	40400 [11.8]	16600 [4.9]	14.00	11.50	1675 [790.5]	56000 [16.4]	3.76	35400 [10.4]	2.60	8.20	8379027
		RCF6024STAM	57000 [16.7]	40400 [11.8]	16600 [4.9]	14.00	11.50	1675 [790.5]	56000 [16.4]	3.76	35400 [10.4]	2.60	8.20	8378982
RP1460FC1	R801TA075421MSA	RCF6024HTAM	57000 [16.7]	40200 [11.8]	16800 [4.9]	14.00	11.50	1650 [778.7]	55500 [16.3]	3.70	35200 [10.3]	2.60	8.20	8379028
		RCF6024STAM	57000 [16.7]	40200 [11.8]	16800 [4.9]	14.00	11.50	1650 [778.7]	55500 [16.3]	3.70	35200 [10.3]	2.60	8.20	8379546
RP1460FC1	R801TA075421MSA	RCF6024HTAM	57000 [16.7]	40200 [11.8]	16800 [4.9]	14.00	11.50	1650 [778.7]	55500 [16.3]	3.70	35200 [10.3]	2.60	8.20	8379592
		RCF6024STAM	57000 [16.7]	40200 [11.8]	16800 [4.9]	14.00	11.50	1650 [778.7]	55500 [16.3]	3.70	35200 [10.3]	2.60	8.20	8379592

[] Designates Metric Conversions

Performance Data @ AHRI Standard Conditions – Heat Pump (con't.)

R801T: Achiever Plus Single-Stage X-13 80% Furnace Ratings														
Outdoor Unit	Furnace	Indoor Coil	Total Capacity BTU/H [kW]	Net Sensible BTU/H [kW]	Net Latent BTU/H [kW]	SEER	EER	Indoor CFM [L/s]	47 Degree Heating Capacity [kW]	47 Degree COP	17 Degree Heating Capacity [kW]	47 Degree COP	Region IV HSPF	AHRI#
RP1460FJ1	R801TA075421MXA	RCF6024HTAM	57000 [16.7]	40200 [11.8]	16800 [4.9]	14.00	11.50	1650 [778.7]	55500 [16.3]	3.70	35200 [10.3]	2.60	8.20	8379547
RP1460FJ1	R801TA075421MXA	RCF6024STAM	57000 [16.7]	40200 [11.8]	16800 [4.9]	14.00	11.50	1650 [778.7]	55500 [16.3]	3.70	35200 [10.3]	2.60	8.20	8379593
RP1460FJ1	R801TA075521ZSA	RCF6024HTAM	57000 [16.7]	40600 [11.9]	16400 [4.8]	14.00	11.50	1700 [802.3]	56500 [16.6]	3.70	35800 [10.5]	2.54	8.20	8379548
RP1460FJ1	R801TA075521ZSA	RCF6024STAM	57000 [16.7]	40600 [11.9]	16400 [4.8]	14.00	11.50	1700 [802.3]	56500 [16.6]	3.70	35800 [10.5]	2.54	8.20	8379594
RP1460FJ1	R801TA075521ZSB	RCF6024HTAM	57000 [16.7]	40600 [11.9]	16400 [4.8]	14.00	11.50	1700 [802.3]	56500 [16.6]	3.70	35800 [10.5]	2.54	8.20	8379549
RP1460FJ1	R801TA075521ZSB	RCF6024STAM	57000 [16.7]	40600 [11.9]	16400 [4.8]	14.00	11.50	1700 [802.3]	56500 [16.6]	3.70	35800 [10.5]	2.54	8.20	8379595
RP1460FJ1	R801TA075521ZXA	RCF6024HTAM	57000 [16.7]	40600 [11.9]	16400 [4.8]	14.00	11.50	1700 [802.3]	56500 [16.6]	3.70	35800 [10.5]	2.54	8.20	8379550
RP1460FJ1	R801TA075521ZXA	RCF6024STAM	57000 [16.7]	40600 [11.9]	16400 [4.8]	14.00	11.50	1700 [802.3]	56500 [16.6]	3.70	35800 [10.5]	2.54	8.20	8379596
RP1460FJ1	R801TA075521ZXB	RCF6024HTAM	57000 [16.7]	40600 [11.9]	16400 [4.8]	14.00	11.50	1700 [802.3]	56500 [16.6]	3.70	35800 [10.5]	2.54	8.20	8379551
RP1460FJ1	R801TA075521ZXB	RCF6024STAM	57000 [16.7]	40600 [11.9]	16400 [4.8]	14.00	11.50	1700 [802.3]	56500 [16.6]	3.70	35800 [10.5]	2.54	8.20	8379597
RP1460FJ1	R801TA100521MSA	RCF6024HTAM	58000 [17.0]	42600 [12.5]	15400 [4.5]	14.00	11.50	1825 [861.3]	56500 [16.6]	3.76	36000 [10.6]	2.66	8.20	8379552
RP1460FJ1	R801TA100521MSA	RCF6024STAM	58000 [17.0]	42600 [12.5]	15400 [4.5]	14.00	11.50	1825 [861.3]	56500 [16.6]	3.76	36000 [10.6]	2.66	8.20	8379598
RP1460FJ1	R801TA100521MXA	RCF6024HTAM	58000 [17.0]	42600 [12.5]	15400 [4.5]	14.00	11.50	1825 [861.3]	56500 [16.6]	3.76	36000 [10.6]	2.66	8.20	8379553
RP1460FJ1	R801TA100521MXA	RCF6024STAM	58000 [17.0]	42600 [12.5]	15400 [4.5]	14.00	11.50	1825 [861.3]	56500 [16.6]	3.76	36000 [10.6]	2.66	8.20	8379599
RP1460FJ1	R801TA100521ZSA	RCF6024HTAM	57000 [16.7]	40600 [11.9]	16400 [4.8]	14.00	11.50	1700 [802.3]	56500 [16.6]	3.76	35600 [10.4]	2.60	8.20	8379554
RP1460FJ1	R801TA100521ZSA	RCF6024STAM	57000 [16.7]	40600 [11.9]	16400 [4.8]	14.00	11.50	1700 [802.3]	56500 [16.6]	3.76	35600 [10.4]	2.60	8.20	8379600
RP1460FJ1	R801TA100521ZSB	RCF6024HTAM	57000 [16.7]	40600 [11.9]	16400 [4.8]	14.00	11.50	1700 [802.3]	56500 [16.6]	3.76	35600 [10.4]	2.60	8.20	8379555
RP1460FJ1	R801TA100521ZSB	RCF6024STAM	57000 [16.7]	40600 [11.9]	16400 [4.8]	14.00	11.50	1700 [802.3]	56500 [16.6]	3.76	35600 [10.4]	2.60	8.20	8379601
RP1460FJ1	R801TA100521ZXA	RCF6024HTAM	57000 [16.7]	40600 [11.9]	16400 [4.8]	14.00	11.50	1700 [802.3]	56500 [16.6]	3.76	35600 [10.4]	2.60	8.20	8379556
RP1460FJ1	R801TA100521ZXA	RCF6024STAM	57000 [16.7]	40600 [11.9]	16400 [4.8]	14.00	11.50	1700 [802.3]	56500 [16.6]	3.76	35600 [10.4]	2.60	8.20	8379602
RP1460FJ1	R801TA100521ZXB	RCF6024HTAM	57000 [16.7]	40600 [11.9]	16400 [4.8]	14.00	11.50	1700 [802.3]	56500 [16.6]	3.76	35600 [10.4]	2.60	8.20	8379557
RP1460FJ1	R801TA100521ZXB	RCF6024STAM	57000 [16.7]	40600 [11.9]	16400 [4.8]	14.00	11.50	1700 [802.3]	56500 [16.6]	3.76	35600 [10.4]	2.60	8.20	8379603
RP1460FJ1	R801TA125524MSA	RCF6024HTAM	57500 [16.9]	41500 [12.2]	16000 [4.7]	14.00	11.50	1750 [825.9]	56000 [16.4]	3.80	35800 [10.5]	2.66	8.20	8379558
RP1460FJ1	R801TA125524MSA	RCF6024STAM	57500 [16.9]	41500 [12.2]	16000 [4.7]	14.00	11.50	1750 [825.9]	56000 [16.4]	3.80	35800 [10.5]	2.66	8.20	8379604
RP1460FJ1	R801TA125524MXA	RCF6024HTAM	57500 [16.9]	41500 [12.2]	16000 [4.7]	14.00	11.50	1750 [825.9]	56000 [16.4]	3.80	35800 [10.5]	2.66	8.20	8379559
RP1460FJ1	R801TA125524MXA	RCF6024STAM	57500 [16.9]	41500 [12.2]	16000 [4.7]	14.00	11.50	1750 [825.9]	56000 [16.4]	3.80	35800 [10.5]	2.66	8.20	8379605
RP1460FJ1	R801TA125524ZSA	RCF6024HTAM	57000 [16.7]	40400 [11.8]	16600 [4.9]	14.00	11.50	1675 [790.5]	56000 [16.4]	3.76	35400 [10.4]	2.60	8.20	8379560
RP1460FJ1	R801TA125524ZSA	RCF6024STAM	57000 [16.7]	40400 [11.8]	16600 [4.9]	14.00	11.50	1675 [790.5]	56000 [16.4]	3.76	35400 [10.4]	2.60	8.20	8379606
RP1460FJ1	R801TA125524ZSB	RCF6024HTAM	57000 [16.7]	40400 [11.8]	16600 [4.9]	14.00	11.50	1675 [790.5]	56000 [16.4]	3.76	35400 [10.4]	2.60	8.20	8379561
RP1460FJ1	R801TA125524ZSB	RCF6024STAM	57000 [16.7]	40400 [11.8]	16600 [4.9]	14.00	11.50	1675 [790.5]	56000 [16.4]	3.76	35400 [10.4]	2.60	8.20	8379607
RP1460FJ1	R801TA125524ZXA	RCF6024HTAM	57000 [16.7]	40400 [11.8]	16600 [4.9]	14.00	11.50	1675 [790.5]	56000 [16.4]	3.76	35400 [10.4]	2.60	8.20	8379562
RP1460FJ1	R801TA125524ZXA	RCF6024STAM	57000 [16.7]	40400 [11.8]	16600 [4.9]	14.00	11.50	1675 [790.5]	56000 [16.4]	3.76	35400 [10.4]	2.60	8.20	8379608
RP1460FJ1	R801TA125524ZXB	RCF6024HTAM	57000 [16.7]	40400 [11.8]	16600 [4.9]	14.00	11.50	1675 [790.5]	56000 [16.4]	3.76	35400 [10.4]	2.60	8.20	8379563
RP1460FJ1	R801TA125524ZXB	RCF6024STAM	57000 [16.7]	40400 [11.8]	16600 [4.9]	14.00	11.50	1675 [790.5]	56000 [16.4]	3.76	35400 [10.4]	2.60	8.20	8379609

[] Designates Metric Conversions

Performance Data @ AHRI Standard Conditions – Heat Pump (con't.)

R801T: Achiever Plus Single-Stage X-13 80% Furnace Ratings														
Outdoor Unit	Furnace	Indoor Coil	Total Capacity BTU/H [kW]	Net Sensible BTU/H [kW]	Net Latent BTU/H [kW]	SEER	EER	Indoor CFM [L/s]	47 Degree Heating Capacity BTU/H [kW]	47 Degree COP	17 Degree Heating Capacity BTU/H [kW]	47 Degree COP	Region IV HSPF	AHRI#
RP1460FJ1	R801TB075521ZSB	RCF6024HTAM	57000 [16.7]	40600 [11.9]	16400 [4.8]	14.00	11.50	1700 [802.3]	56500 [16.6]	3.70	35800 [10.5]	2.54	8.20	8379564
		RCF6024STAM	57000 [16.7]	40600 [11.9]	16400 [4.8]	14.00	11.50	1700 [802.3]	56500 [16.6]	3.70	35800 [10.5]	2.54	8.20	8379610
RP1460FJ1	R801TB075521ZXB	RCF6024HTAM	57000 [16.7]	40600 [11.9]	16400 [4.8]	14.00	11.50	1700 [802.3]	56500 [16.6]	3.70	35800 [10.5]	2.54	8.20	8379565
		RCF6024STAM	57000 [16.7]	40600 [11.9]	16400 [4.8]	14.00	11.50	1700 [802.3]	56500 [16.6]	3.70	35800 [10.5]	2.54	8.20	8379611
RP1460FJ1	R801TB100521ZSB	RCF6024HTAM	57000 [16.7]	40600 [11.9]	16400 [4.8]	14.00	11.50	1700 [802.3]	56500 [16.6]	3.76	35600 [10.4]	2.60	8.20	8379566
		RCF6024STAM	57000 [16.7]	40600 [11.9]	16400 [4.8]	14.00	11.50	1700 [802.3]	56500 [16.6]	3.76	35600 [10.4]	2.60	8.20	8379612
RP1460FJ1	R801TB100521ZXB	RCF6024HTAM	57000 [16.7]	40600 [11.9]	16400 [4.8]	14.00	11.50	1700 [802.3]	56500 [16.6]	3.76	35600 [10.4]	2.60	8.20	8379567
		RCF6024STAM	57000 [16.7]	40600 [11.9]	16400 [4.8]	14.00	11.50	1700 [802.3]	56500 [16.6]	3.76	35600 [10.4]	2.60	8.20	8379613
RP1460FJ1	R801TB125524ZSB	RCF6024HTAM	57000 [16.7]	40400 [11.8]	16600 [4.9]	14.00	11.50	1675 [790.5]	56000 [16.4]	3.76	35400 [10.4]	2.60	8.20	8379568
		RCF6024STAM	57000 [16.7]	40400 [11.8]	16600 [4.9]	14.00	11.50	1675 [790.5]	56000 [16.4]	3.76	35400 [10.4]	2.60	8.20	8379614
RP1460FJ1	R801TB125524ZXB	RCF6024HTAM	57000 [16.7]	40400 [11.8]	16600 [4.9]	14.00	11.50	1675 [790.5]	56000 [16.4]	3.76	35400 [10.4]	2.60	8.20	8379569
		RCF6024STAM	57000 [16.7]	40400 [11.8]	16600 [4.9]	14.00	11.50	1675 [790.5]	56000 [16.4]	3.76	35400 [10.4]	2.60	8.20	8379615

[] Designates Metric Conversions

Performance Data @ AHRI Standard Conditions – Heat Pump (con't.)

R802V: Ultra 2-Stage 80% ECM Furnace Ratings														
Outdoor Unit	Furnace	Indoor Coil	Total Capacity BTU/H [kW]	Net Sensible BTU/H [kW]	Net Latent BTU/H [kW]	SEER	EER	Indoor CFM [L/s]	47 Degree Heating Capacity BTU/H [kW]	47 Degree COP	17 Degree Heating Capacity BTU/H [kW]	47 Degree COP	Region IV HSPF	AHRI#
RP1418FJ1	R802VA050317MSA	RCF2417STAM	18000 [5.3]	14000 [4.1]	4000 [1.2]	14.00	11.50	650 [306.8]	15800 [4.6]	3.60	9200 [2.7]	2.34	8.20	8379066
RP1418FJ1	R802VA050317MXA	RCF2417STAM	18000 [5.3]	14000 [4.1]	4000 [1.2]	14.00	11.50	650 [306.8]	15800 [4.6]	3.60	9200 [2.7]	2.34	8.20	8379067
RP1418FJ1	R802VA075317MSA	RCF2417STAM	18000 [5.3]	14000 [4.1]	4000 [1.2]	16.00	13.00	675 [318.6]	15800 [4.6]	3.60	9200 [2.7]	2.40	9.00	8379068
RP1418FJ1	R802VA075317MXA	RCF2417STAM	18000 [5.3]	14000 [4.1]	4000 [1.2]	16.00	13.00	675 [318.6]	15800 [4.6]	3.60	9200 [2.7]	2.40	9.00	8379069
RP1418FJ1	R802VA075317ZSA	RCF2417STAM	18000 [5.3]	14000 [4.1]	4000 [1.2]	14.00	11.50	675 [318.6]	15800 [4.6]	3.60	9200 [2.7]	2.34	8.20	8379070
RP1418FJ1	R802VA075317ZSB	RCF2417STAM	18000 [5.3]	14000 [4.1]	4000 [1.2]	14.00	11.50	675 [318.6]	15800 [4.6]	3.60	9200 [2.7]	2.34	8.20	8379071
RP1418FJ1	R802VA075317ZXA	RCF2417STAM	18000 [5.3]	14000 [4.1]	4000 [1.2]	14.00	11.50	675 [318.6]	15800 [4.6]	3.60	9200 [2.7]	2.34	8.20	8379072
RP1418FJ1	R802VA075317ZXB	RCF2417STAM	18000 [5.3]	14000 [4.1]	4000 [1.2]	14.00	11.50	675 [318.6]	15800 [4.6]	3.60	9200 [2.7]	2.34	8.20	8379073
RP1418FJ1	R802VB075317ZSB	RCF2417STAM	18000 [5.3]	14000 [4.1]	4000 [1.2]	14.00	11.50	675 [318.6]	15800 [4.6]	3.60	9200 [2.7]	2.34	8.20	8379074
RP1418FJ1	R802VB075317ZXB	RCF2417STAM	18000 [5.3]	14000 [4.1]	4000 [1.2]	14.00	11.50	675 [318.6]	15800 [4.6]	3.60	9200 [2.7]	2.34	8.20	8379075
RP1424FJ1	R802VA050317MSA	RCF2417STAM	24000 [7.0]	17900 [5.2]	6100 [1.8]	14.00	11.50	800 [377.6]	22200 [6.5]	3.66	13600 [4.0]	2.46	8.20	8379094
RP1424FJ1	R802VA050317MXA	RCF2417STAM	24000 [7.0]	17900 [5.2]	6100 [1.8]	14.00	11.50	800 [377.6]	22200 [6.5]	3.66	13600 [4.0]	2.46	8.20	8379095
RP1424FJ1	R802VA075317MSA	RCF2417STAM	24000 [7.0]	17900 [5.2]	6100 [1.8]	14.00	11.50	875 [413.0]	22000 [6.4]	3.66	13600 [4.0]	2.46	8.20	8379096
RP1424FJ1	R802VA075317MXA	RCF2417STAM	24000 [7.0]	17900 [5.2]	6100 [1.8]	14.00	11.50	875 [413.0]	22000 [6.4]	3.66	13600 [4.0]	2.46	8.20	8379097
RP1424FJ1	R802VA075317ZSA	RCF2417STAM	24000 [7.0]	17900 [5.2]	6100 [1.8]	14.00	11.50	800 [377.6]	22000 [6.4]	3.66	13500 [4.0]	2.50	8.20	8379098
RP1424FJ1	R802VA075317ZSB	RCF2417STAM	24000 [7.0]	17900 [5.2]	6100 [1.8]	14.00	11.50	800 [377.6]	22000 [6.4]	3.66	13500 [4.0]	2.50	8.20	8379099
RP1424FJ1	R802VA075317ZXA	RCF2417STAM	24000 [7.0]	17900 [5.2]	6100 [1.8]	14.00	11.50	800 [377.6]	22000 [6.4]	3.66	13500 [4.0]	2.50	8.20	8379100
RP1424FJ1	R802VA075317ZXB	RCF2417STAM	24000 [7.0]	17900 [5.2]	6100 [1.8]	14.00	11.50	800 [377.6]	22000 [6.4]	3.66	13500 [4.0]	2.50	8.20	8379101
RP1424FJ1	R802VB075317ZSB	RCF2417STAM	24000 [7.0]	17900 [5.2]	6100 [1.8]	14.00	11.50	800 [377.6]	22000 [6.4]	3.66	13500 [4.0]	2.50	8.20	8379102
RP1424FJ1	R802VB075317ZXB	RCF2417STAM	24000 [7.0]	17900 [5.2]	6100 [1.8]	14.00	11.50	800 [377.6]	22000 [6.4]	3.66	13500 [4.0]	2.50	8.20	8379103
RP1430FJ1	R802VA050317MSA	RCF3617STAM	28800 [8.4]	21600 [6.3]	7200 [2.1]	14.00	11.50	975 [460.1]	27000 [7.9]	3.54	16600 [4.9]	2.30	8.20	8379128
RP1430FJ1	R802VA050317MXA	RCF3621STAM	28800 [8.4]	21600 [6.3]	7200 [2.1]	14.00	11.50	975 [460.1]	26800 [7.9]	3.60	16500 [4.8]	2.30	8.20	8379175
RP1430FJ1	R802VA075317MSA	RCF3617STAM	28800 [8.4]	21600 [6.3]	7200 [2.1]	14.00	11.50	975 [460.1]	27000 [7.9]	3.54	16600 [4.9]	2.30	8.20	8379129
RP1430FJ1	R802VA075317MXA	RCF3621STAM	28800 [8.4]	21600 [6.3]	7200 [2.1]	14.00	11.50	975 [460.1]	27000 [7.9]	3.60	16600 [4.9]	2.30	8.20	8379176
RP1430FJ1	R802VA075317ZSA	RCF3617STAM	29200 [8.6]	22100 [6.5]	7100 [2.1]	14.00	11.50	1025 [483.7]	27200 [8.0]	3.70	16700 [4.9]	2.34	8.20	8379130
RP1430FJ1	R802VA075317ZSB	RCF3621STAM	29200 [8.6]	22100 [6.5]	7100 [2.1]	14.00	11.50	1025 [483.7]	27000 [7.9]	3.70	16600 [4.9]	2.34	8.20	8379177
RP1430FJ1	R802VA075317ZXA	RCF3617STAM	29200 [8.6]	22100 [6.5]	7100 [2.1]	14.00	11.50	1025 [483.7]	27200 [8.0]	3.70	16700 [4.9]	2.34	8.20	8379131
RP1430FJ1	R802VA075317ZXB	RCF3621STAM	29200 [8.6]	22100 [6.5]	7100 [2.1]	14.00	11.50	1025 [483.7]	27000 [7.9]	3.70	16600 [4.9]	2.34	8.20	8379178
RP1430FJ1	R802VA075317ZSA	RCF3617STAM	29200 [8.6]	22300 [6.5]	6900 [2.0]	14.00	11.50	1050 [495.5]	27200 [8.0]	3.66	16900 [5.0]	2.34	8.20	8379132
RP1430FJ1	R802VA075317ZSB	RCF3621STAM	29400 [8.6]	22700 [6.7]	6700 [2.0]	14.00	11.50	1100 [519.1]	27200 [8.0]	3.66	16900 [5.0]	2.34	8.20	8379179
RP1430FJ1	R802VA075317ZXA	RCF3617STAM	29200 [8.6]	22300 [6.5]	6900 [2.0]	14.00	11.50	1050 [495.5]	27200 [8.0]	3.66	16900 [5.0]	2.34	8.20	8379133
RP1430FJ1	R802VA075317ZXB	RCF3621STAM	29400 [8.6]	22700 [6.7]	6700 [2.0]	14.00	11.50	1100 [519.1]	27200 [8.0]	3.66	16900 [5.0]	2.34	8.20	8379180
RP1430FJ1	R802VA075317ZSA	RCF3617STAM	29200 [8.6]	22300 [6.5]	6900 [2.0]	14.00	11.50	1050 [495.5]	27200 [8.0]	3.66	16900 [5.0]	2.34	8.20	8379134
RP1430FJ1	R802VA075317ZXB	RCF3621STAM	29400 [8.6]	22700 [6.7]	6700 [2.0]	14.00	11.50	1100 [519.1]	27200 [8.0]	3.66	16900 [5.0]	2.34	8.20	8379181

[] Designates Metric Conversions

Performance Data @ AHRI Standard Conditions – Heat Pump (con't.)

R802V: Ultra 2-Stage 80% ECM Furnace Ratings														
Outdoor Unit	Furnace	Indoor Coil	Total Capacity BTU/H [kW]	Net Sensible BTU/H [kW]	Net Latent BTU/H [kW]	SEER	EER	Indoor CFM [L/s]	47 Degree Heating Capacity BTU/H [kW]	47 Degree COP	17 Degree Heating Capacity BTU/H [kW]	47 Degree COP	Region IV HSPF	AHRI#
RP1430FJ1	R802VA07531TZXB	RCF3617STAM	29200 [8.6]	22300 [6.5]	6900 [2.0]	14.00	11.50	1050 [495.5]	27200 [8.0]	3.66	16900 [5.0]	2.34	8.20	8379135
RP1430FJ1	R802VA075421TMSA	RCF3621STAM	29400 [8.6]	22700 [6.7]	6700 [2.0]	14.00	11.50	1100 [519.1]	27200 [8.0]	3.66	16900 [5.0]	2.34	8.20	8379182
RP1430FJ1	R802VA075421TMSA	RCF3621STAM	29600 [8.7]	22900 [6.7]	6700 [2.0]	14.00	11.50	1100 [519.1]	27000 [7.9]	3.70	16700 [4.9]	2.40	8.20	8379183
RP1430FJ1	R802VA075421TMSA	RCF3621STAM	29600 [8.7]	22900 [6.7]	6700 [2.0]	14.00	11.50	1100 [519.1]	27000 [7.9]	3.70	16700 [4.9]	2.40	8.20	8379184
RP1430FJ1	R802VA075421TMSA	RCF3621STAM	29200 [8.6]	22100 [6.5]	7100 [2.1]	14.00	11.50	1025 [483.7]	27000 [7.9]	3.70	16600 [4.9]	2.34	8.20	8379185
RP1430FJ1	R802VA075421TMSA	RCF3621STAM	29200 [8.6]	22100 [6.5]	7100 [2.1]	14.00	11.50	1025 [483.7]	27000 [7.9]	3.70	16600 [4.9]	2.34	8.20	8379186
RP1430FJ1	R802VA075421TMSA	RCF3621STAM	29200 [8.6]	22100 [6.5]	7100 [2.1]	14.00	11.50	1025 [483.7]	27000 [7.9]	3.70	16600 [4.9]	2.34	8.20	8379187
RP1430FJ1	R802VA100521TMSA	RCF3621STAM	29200 [8.6]	22100 [6.5]	7100 [2.1]	14.00	11.50	1025 [483.7]	27000 [7.9]	3.70	16600 [4.9]	2.34	8.20	8379188
RP1430FJ1	R802VA100521TMSA	RCF3621STAM	29400 [8.6]	22300 [6.5]	7100 [2.1]	14.00	11.50	1025 [483.7]	26800 [7.9]	3.76	16400 [4.8]	2.40	8.20	8379189
RP1430FJ1	R802VA100521TMSA	RCF3621STAM	29400 [8.6]	22300 [6.5]	7100 [2.1]	14.00	11.50	1025 [483.7]	26800 [7.9]	3.76	16400 [4.8]	2.40	8.20	8379190
RP1430FJ1	R802VA100521TMSA	RCF3621STAM	29200 [8.6]	22300 [6.5]	6900 [2.0]	14.00	11.50	1050 [495.5]	27000 [7.9]	3.70	16700 [4.9]	2.40	8.20	8379191
RP1430FJ1	R802VA100521TMSA	RCF3621STAM	29200 [8.6]	22300 [6.5]	6900 [2.0]	14.00	11.50	1050 [495.5]	27000 [7.9]	3.70	16700 [4.9]	2.40	8.20	8379192
RP1430FJ1	R802VA100521TMSA	RCF3621STAM	29200 [8.6]	22300 [6.5]	6900 [2.0]	14.00	11.50	1050 [495.5]	27000 [7.9]	3.70	16700 [4.9]	2.40	8.20	8379193
RP1430FJ1	R802VA100521TMSA	RCF3621STAM	29200 [8.6]	22300 [6.5]	6900 [2.0]	14.00	11.50	1050 [495.5]	27000 [7.9]	3.70	16700 [4.9]	2.40	8.20	8379194
RP1430FJ1	R802VA100521TMSA	RCF3621STAM	29200 [8.6]	22300 [6.5]	6900 [2.0]	14.00	11.50	1050 [495.5]	27200 [8.0]	3.66	16900 [5.0]	2.34	8.20	8379136
RP1430FJ1	R802VB07531TZSB	RCF3621STAM	29400 [8.6]	22700 [6.7]	6700 [2.0]	14.00	11.50	1100 [519.1]	27200 [8.0]	3.66	16900 [5.0]	2.34	8.20	8379195
RP1430FJ1	R802VB07531TZSB	RCF3617STAM	29200 [8.6]	22300 [6.5]	6900 [2.0]	14.00	11.50	1050 [495.5]	27200 [8.0]	3.66	16900 [5.0]	2.34	8.20	8379137
RP1430FJ1	R802VB075421ZSB	RCF3621STAM	29400 [8.6]	22700 [6.7]	6700 [2.0]	14.00	11.50	1100 [519.1]	27200 [8.0]	3.66	16900 [5.0]	2.34	8.20	8379196
RP1430FJ1	R802VB075421ZSB	RCF3621STAM	29200 [8.6]	22100 [6.5]	7100 [2.1]	14.00	11.50	1025 [483.7]	27000 [7.9]	3.70	16600 [4.9]	2.34	8.20	8379197
RP1430FJ1	R802VB075421ZSB	RCF3621STAM	29200 [8.6]	22100 [6.5]	7100 [2.1]	14.00	11.50	1025 [483.7]	27000 [7.9]	3.70	16600 [4.9]	2.34	8.20	8379198
RP1430FJ1	R802VB100521ZSB	RCF3621STAM	29200 [8.6]	22300 [6.5]	6900 [2.0]	14.00	11.50	1050 [495.5]	27000 [7.9]	3.70	16700 [4.9]	2.40	8.20	8379199
RP1430FJ1	R802VB100521ZSB	RCF3621STAM	29200 [8.6]	22300 [6.5]	6900 [2.0]	14.00	11.50	1050 [495.5]	27000 [7.9]	3.70	16700 [4.9]	2.40	8.20	8379200
RP1436FC1	R802VA050317M5A	RCF3617STAM	34800 [10.2]	25200 [7.4]	9600 [2.8]	14.00	11.50	1100 [519.1]	33600 [9.8]	3.50	22200 [6.5]	2.50	8.20	8378633
RP1436FC1	R802VA050317M5A	RCF3621STAM	34800 [10.2]	25200 [7.4]	9600 [2.8]	14.00	11.50	1100 [519.1]	33600 [9.8]	3.50	22000 [6.4]	2.54	8.20	8378677
RP1436FC1	R802VA050317M5A	RCF3617STAM	34800 [10.2]	25200 [7.4]	9600 [2.8]	14.00	11.50	1100 [519.1]	33600 [9.8]	3.50	22200 [6.5]	2.50	8.20	8378634
RP1436FC1	R802VA050317M5A	RCF3621STAM	34800 [10.2]	25200 [7.4]	9600 [2.8]	14.00	11.50	1100 [519.1]	33600 [9.8]	3.50	22000 [6.4]	2.54	8.20	8378678
RP1436FC1	R802VA075317M5A	RCF3617STAM	35200 [10.3]	25800 [7.6]	9400 [2.8]	14.00	11.50	1150 [542.7]	33800 [9.9]	3.60	22200 [6.5]	2.60	8.20	8378635
RP1436FC1	R802VA075317M5A	RCF3621STAM	35000 [10.3]	25300 [7.4]	9700 [2.8]	14.00	11.50	1075 [507.3]	33000 [9.7]	3.60	21600 [6.3]	2.54	8.20	8378679
RP1436FC1	R802VA075317M5A	RCF3617STAM	35200 [10.3]	25800 [7.6]	9400 [2.8]	14.00	11.50	1150 [542.7]	33800 [9.9]	3.60	22200 [6.5]	2.60	8.20	8378636
RP1436FC1	R802VA075317M5A	RCF3621STAM	35000 [10.3]	25300 [7.4]	9700 [2.8]	14.00	11.50	1075 [507.3]	33000 [9.7]	3.60	21600 [6.3]	2.54	8.20	8378680
RP1436FC1	R802VA075317ZSA	RCF3617STAM	35000 [10.3]	25400 [7.4]	9600 [2.8]	14.00	11.50	1100 [519.1]	33400 [9.8]	3.54	22000 [6.4]	2.54	8.20	8378637
RP1436FC1	R802VA075317ZSA	RCF3621STAM	35000 [10.3]	25400 [7.4]	9600 [2.8]	14.00	11.50	1100 [519.1]	33400 [9.8]	3.54	22000 [6.4]	2.54	8.20	8378681
RP1436FC1	R802VA075317ZSB	RCF3617STAM	35000 [10.3]	25400 [7.4]	9600 [2.8]	14.00	11.50	1100 [519.1]	33400 [9.8]	3.54	22000 [6.4]	2.54	8.20	8378638
RP1436FC1	R802VA075317ZSB	RCF3621STAM	35000 [10.3]	25400 [7.4]	9600 [2.8]	14.00	11.50	1100 [519.1]	33400 [9.8]	3.54	22000 [6.4]	2.54	8.20	8378682

[] Designates Metric Conversions

Performance Data @ AHRI Standard Conditions – Heat Pump (con't.)

R802V: Ultra 2-Stage 80% ECM Furnace Ratings														
Outdoor Unit	Furnace	Indoor Coil	Total Capacity BTU/H [kW]	Net Sensible BTU/H [kW]	Net Latent BTU/H [kW]	SEER	EER	Indoor CFM [L/s]	47 Degree Heating Capacity BTU/H [kW]	47 Degree COP	17 Degree Heating Capacity BTU/H [kW]	47 Degree COP	Region IV HSPF	AHRI#
RP1436FC1	R802VA07531ZXA	RCF3617STAM	35000 [10.3]	25400 [7.4]	9600 [2.8]	14.00	11.50	1100 [519.1]	33400 [9.8]	3.54	22000 [6.4]	2.54	8.20	8378639
		RCF3621STAM	35000 [10.3]	25400 [7.4]	9600 [2.8]	14.00	11.50	1100 [519.1]	33400 [9.8]	3.54	22000 [6.4]	2.54	8.20	8378683
RP1436FC1	R802VA07531ZXB	RCF3617STAM	35000 [10.3]	25400 [7.4]	9600 [2.8]	14.00	11.50	1100 [519.1]	33400 [9.8]	3.54	22000 [6.4]	2.54	8.20	8378640
		RCF3621STAM	35000 [10.3]	25400 [7.4]	9600 [2.8]	14.00	11.50	1100 [519.1]	33400 [9.8]	3.54	22000 [6.4]	2.54	8.20	8378684
RP1436FC1	R802VA075421MSA	RCF3621STAM	35800 [10.5]	26900 [7.9]	8900 [2.6]	14.00	11.50	1250 [589.9]	33800 [9.9]	3.66	22400 [6.6]	2.66	8.20	8378685
RP1436FC1	R802VA075421MXA	RCF3621STAM	35800 [10.5]	26900 [7.9]	8900 [2.6]	14.00	11.50	1250 [589.9]	33800 [9.9]	3.66	22400 [6.6]	2.66	8.20	8378686
RP1436FC1	R802VA075421ZSA	RCF3621STAM	35600 [10.4]	26700 [7.8]	8900 [2.6]	14.00	11.50	1250 [589.9]	34000 [10.0]	3.60	22600 [6.6]	2.66	8.20	8378687
RP1436FC1	R802VA075421ZSB	RCF3621STAM	35600 [10.4]	26700 [7.8]	8900 [2.6]	14.00	11.50	1250 [589.9]	34000 [10.0]	3.60	22600 [6.6]	2.66	8.20	8378688
RP1436FC1	R802VA075421ZXA	RCF3621STAM	35600 [10.4]	26700 [7.8]	8900 [2.6]	14.00	11.50	1250 [589.9]	34000 [10.0]	3.60	22600 [6.6]	2.66	8.20	8378689
RP1436FC1	R802VA075421ZXB	RCF3621STAM	35600 [10.4]	26700 [7.8]	8900 [2.6]	14.00	11.50	1250 [589.9]	34000 [10.0]	3.60	22600 [6.6]	2.66	8.20	8378690
RP1436FC1	R802VA100521MSA	RCF3621STAM	36000 [10.6]	26600 [7.8]	9400 [2.8]	14.00	11.50	1350 [637.1]	33800 [9.9]	3.66	22400 [6.6]	2.66	8.20	8378691
RP1436FC1	R802VA100521MXA	RCF3621STAM	36000 [10.6]	26600 [7.8]	9400 [2.8]	14.00	11.50	1350 [637.1]	33800 [9.9]	3.66	22400 [6.6]	2.66	8.20	8378692
RP1436FC1	R802VA100521ZSA	RCF3621STAM	35400 [10.4]	26000 [7.6]	9400 [2.8]	14.00	11.50	1150 [542.7]	33600 [9.8]	3.66	22000 [6.4]	2.60	8.20	8378693
RP1436FC1	R802VA100521ZSB	RCF3621STAM	35400 [10.4]	26000 [7.6]	9400 [2.8]	14.00	11.50	1150 [542.7]	33600 [9.8]	3.66	22000 [6.4]	2.60	8.20	8378694
RP1436FC1	R802VA100521ZXA	RCF3621STAM	35400 [10.4]	26000 [7.6]	9400 [2.8]	14.00	11.50	1150 [542.7]	33600 [9.8]	3.66	22000 [6.4]	2.60	8.20	8378695
RP1436FC1	R802VA100521ZXB	RCF3621STAM	35400 [10.4]	26000 [7.6]	9400 [2.8]	14.00	11.50	1150 [542.7]	33600 [9.8]	3.66	22000 [6.4]	2.60	8.20	8378696
RP1436FC1	R802VB07531ZSXB	RCF3617STAM	35000 [10.3]	25400 [7.4]	9600 [2.8]	14.00	11.50	1100 [519.1]	33400 [9.8]	3.54	22000 [6.4]	2.54	8.20	8378641
		RCF3621STAM	35000 [10.3]	25400 [7.4]	9600 [2.8]	14.00	11.50	1100 [519.1]	33400 [9.8]	3.54	22000 [6.4]	2.54	8.20	8378697
RP1436FC1	R802VB07531ZAXB	RCF3617STAM	35000 [10.3]	25400 [7.4]	9600 [2.8]	14.00	11.50	1100 [519.1]	33400 [9.8]	3.54	22000 [6.4]	2.54	8.20	8378642
		RCF3621STAM	35000 [10.3]	25400 [7.4]	9600 [2.8]	14.00	11.50	1100 [519.1]	33400 [9.8]	3.54	22000 [6.4]	2.54	8.20	8378698
RP1436FC1	R802VB075421ZSB	RCF3621STAM	35600 [10.4]	26700 [7.8]	8900 [2.6]	14.00	11.50	1250 [589.9]	34000 [10.0]	3.60	22600 [6.6]	2.66	8.20	8378699
RP1436FC1	R802VB075421ZXB	RCF3621STAM	35600 [10.4]	26700 [7.8]	8900 [2.6]	14.00	11.50	1250 [589.9]	34000 [10.0]	3.60	22600 [6.6]	2.66	8.20	8378700
RP1436FC1	R802VB100521ZSB	RCF3621STAM	35400 [10.4]	26000 [7.6]	9400 [2.8]	14.00	11.50	1150 [542.7]	33600 [9.8]	3.66	22000 [6.4]	2.60	8.20	8378701
RP1436FC1	R802VB100521ZXB	RCF3621STAM	35400 [10.4]	26000 [7.6]	9400 [2.8]	14.00	11.50	1150 [542.7]	33600 [9.8]	3.66	22000 [6.4]	2.60	8.20	8378702
RP1436FC1	R802VA050317MSA	RCF3617STAM	34800 [10.2]	25200 [7.4]	9600 [2.8]	14.00	11.50	1100 [519.1]	33600 [9.8]	3.50	22200 [6.5]	2.50	8.20	8379231
		RCF3621STAM	34800 [10.2]	25200 [7.4]	9600 [2.8]	14.00	11.50	1100 [519.1]	33600 [9.8]	3.50	22000 [6.4]	2.54	8.20	8379275
RP1436FC1	R802VA050317MXA	RCF3617STAM	34800 [10.2]	25200 [7.4]	9600 [2.8]	14.00	11.50	1100 [519.1]	33600 [9.8]	3.50	22200 [6.5]	2.50	8.20	8379232
		RCF3621STAM	34800 [10.2]	25200 [7.4]	9600 [2.8]	14.00	11.50	1100 [519.1]	33600 [9.8]	3.50	22000 [6.4]	2.54	8.20	8379276
RP1436FC1	R802VA075317MSA	RCF3617STAM	35200 [10.3]	25800 [7.6]	9400 [2.8]	14.00	11.50	1150 [542.7]	33800 [9.9]	3.60	22200 [6.5]	2.60	8.20	8379233
		RCF3621STAM	35000 [10.3]	25300 [7.4]	9700 [2.8]	14.00	11.50	1075 [507.3]	33000 [9.7]	3.60	21600 [6.3]	2.54	8.20	8379277
RP1436FC1	R802VA075317MXA	RCF3617STAM	35200 [10.3]	25800 [7.6]	9400 [2.8]	14.00	11.50	1150 [542.7]	33800 [9.9]	3.60	22200 [6.5]	2.60	8.20	8379234
		RCF3621STAM	35000 [10.3]	25300 [7.4]	9700 [2.8]	14.00	11.50	1075 [507.3]	33000 [9.7]	3.60	21600 [6.3]	2.54	8.20	8379278
RP1436FC1	R802VA075317ZSA	RCF3617STAM	35000 [10.3]	25400 [7.4]	9600 [2.8]	14.00	11.50	1100 [519.1]	33400 [9.8]	3.54	22000 [6.4]	2.54	8.20	8379235
		RCF3621STAM	35000 [10.3]	25400 [7.4]	9600 [2.8]	14.00	11.50	1100 [519.1]	33400 [9.8]	3.54	22000 [6.4]	2.54	8.20	8379279

[] Designates Metric Conversions

Performance Data @ AHRI Standard Conditions – Heat Pump (con't.)

R802V: Ultra 2-Stage 80% ECM Furnace Ratings												
Outdoor Unit	Furnace	Indoor Coil	Total Capacity BTU/H [kW]	Net Sensible BTU/H [kW]	Net Latent BTU/H [kW]	SEER	EER	Indoor CFM [L/s]	47 Degree Heating Capacity BTU/H [kW]	47 Degree COP	Region IV HSPF	AHRI#
RP1436FJ1	R802VA07531ZSB	RCF3617STAM	35000 [10.3]	25400 [7.4]	9600 [2.8]	14.00	11.50	1100 [519.1]	33400 [9.8]	3.54	8.20	8379236
		RCF3621STAM	35000 [10.3]	25400 [7.4]	9600 [2.8]	14.00	11.50	1100 [519.1]	33400 [9.8]	3.54	8.20	8379280
RP1436FJ1	R802VA07531ZXA	RCF3617STAM	35000 [10.3]	25400 [7.4]	9600 [2.8]	14.00	11.50	1100 [519.1]	33400 [9.8]	3.54	8.20	8379237
		RCF3621STAM	35000 [10.3]	25400 [7.4]	9600 [2.8]	14.00	11.50	1100 [519.1]	33400 [9.8]	3.54	8.20	8379281
RP1436FJ1	R802VA07531ZXB	RCF3617STAM	35000 [10.3]	25400 [7.4]	9600 [2.8]	14.00	11.50	1100 [519.1]	33400 [9.8]	3.54	8.20	8379238
		RCF3621STAM	35000 [10.3]	25400 [7.4]	9600 [2.8]	14.00	11.50	1100 [519.1]	33400 [9.8]	3.54	8.20	8379282
RP1436FJ1	R802VA075421MSA	RCF3621STAM	35800 [10.5]	26900 [7.9]	8900 [2.6]	14.00	11.50	1250 [589.9]	33800 [9.9]	3.66	8.20	8379283
		RCF3621STAM	35800 [10.5]	26900 [7.9]	8900 [2.6]	14.00	11.50	1250 [589.9]	33800 [9.9]	3.66	8.20	8379284
RP1436FJ1	R802VA075421MSA	RCF3621STAM	35600 [10.4]	26700 [7.8]	8900 [2.6]	14.00	11.50	1250 [589.9]	34000 [10.0]	3.60	8.20	8379285
		RCF3621STAM	35600 [10.4]	26700 [7.8]	8900 [2.6]	14.00	11.50	1250 [589.9]	34000 [10.0]	3.60	8.20	8379286
RP1436FJ1	R802VA075421ZXA	RCF3621STAM	35600 [10.4]	26700 [7.8]	8900 [2.6]	14.00	11.50	1250 [589.9]	34000 [10.0]	3.60	8.20	8379287
		RCF3621STAM	35600 [10.4]	26700 [7.8]	8900 [2.6]	14.00	11.50	1250 [589.9]	34000 [10.0]	3.60	8.20	8379288
RP1436FJ1	R802VA100521MSA	RCF3621STAM	36000 [10.6]	26600 [7.8]	9400 [2.8]	14.00	11.50	1350 [637.1]	33800 [9.9]	3.66	8.20	8379289
		RCF3621STAM	36000 [10.6]	26600 [7.8]	9400 [2.8]	14.00	11.50	1350 [637.1]	33800 [9.9]	3.66	8.20	8379290
RP1436FJ1	R802VA100521MSA	RCF3621STAM	35400 [10.4]	26000 [7.6]	9400 [2.8]	14.00	11.50	1150 [542.7]	33600 [9.8]	3.66	8.20	8379291
		RCF3621STAM	35400 [10.4]	26000 [7.6]	9400 [2.8]	14.00	11.50	1150 [542.7]	33600 [9.8]	3.66	8.20	8379292
RP1436FJ1	R802VA100521ZSB	RCF3621STAM	35400 [10.4]	26000 [7.6]	9400 [2.8]	14.00	11.50	1150 [542.7]	33600 [9.8]	3.66	8.20	8379293
		RCF3621STAM	35400 [10.4]	26000 [7.6]	9400 [2.8]	14.00	11.50	1150 [542.7]	33600 [9.8]	3.66	8.20	8379294
RP1436FJ1	R802VA100521ZXA	RCF3621STAM	35400 [10.4]	26000 [7.6]	9400 [2.8]	14.00	11.50	1150 [542.7]	33600 [9.8]	3.66	8.20	8379295
		RCF3621STAM	35400 [10.4]	26000 [7.6]	9400 [2.8]	14.00	11.50	1150 [542.7]	33600 [9.8]	3.66	8.20	8379296
RP1436FJ1	R802VB07531ZSB	RCF3617STAM	35000 [10.3]	25400 [7.4]	9600 [2.8]	14.00	11.50	1100 [519.1]	33400 [9.8]	3.54	8.20	8379297
		RCF3621STAM	35000 [10.3]	25400 [7.4]	9600 [2.8]	14.00	11.50	1100 [519.1]	33400 [9.8]	3.54	8.20	8379298
RP1436FJ1	R802VB075421ZSB	RCF3621STAM	35600 [10.4]	26700 [7.8]	8900 [2.6]	14.00	11.50	1250 [589.9]	34000 [10.0]	3.60	8.20	8379299
		RCF3621STAM	35600 [10.4]	26700 [7.8]	8900 [2.6]	14.00	11.50	1250 [589.9]	34000 [10.0]	3.60	8.20	8379300
RP1442FC1	R802VA07531ZSA	RCF4821STAM	41500 [12.2]	29300 [8.6]	12200 [3.6]	14.00	11.50	1325 [625.3]	40500 [11.9]	3.70	8.20	8378750
		RCF4821STAM	41500 [12.2]	29300 [8.6]	12200 [3.6]	14.00	11.50	1325 [625.3]	40500 [11.9]	3.70	8.20	8378751
RP1442FC1	R802VA07531ZSXA	RCF4821STAM	41500 [12.2]	29300 [8.6]	12200 [3.6]	14.00	11.50	1325 [625.3]	40500 [11.9]	3.70	8.20	8378752
		RCF4821STAM	41500 [12.2]	29300 [8.6]	12200 [3.6]	14.00	11.50	1325 [625.3]	40500 [11.9]	3.70	8.20	8378753
RP1442FC1	R802VA07531ZSXB	RCF4821STAM	42000 [12.3]	30100 [8.8]	11900 [3.5]	14.00	11.50	1425 [672.5]	40000 [11.7]	3.76	8.20	8378754
		RCF4821STAM	42000 [12.3]	30100 [8.8]	11900 [3.5]	14.00	11.50	1425 [672.5]	40000 [11.7]	3.76	8.20	8378755
RP1442FC1	R802VA075421MSA	RCF4824STAM	42000 [12.3]	30100 [8.8]	11900 [3.5]	14.00	11.50	1425 [672.5]	40000 [11.7]	3.76	8.20	8378806
		RCF4824STAM	42000 [12.3]	30100 [8.8]	11900 [3.5]	14.00	11.50	1425 [672.5]	40000 [11.7]	3.76	8.20	8378807

[] Designates Metric Conversions

Performance Data @ AHRI Standard Conditions – Heat Pump (con't.)

R802V: Ultra 2-Stage 80% ECM Furnace Ratings														
Outdoor Unit	Furnace	Indoor Coil	Total Capacity BTU/H [kW]	Net Sensible BTU/H [kW]	Net Latent BTU/H [kW]	SEER	EER	Indoor CFM [L/s]	47 Degree Heating Capacity BTU/H [kW]	47 Degree COP	17 Degree Heating Capacity BTU/H [kW]	47 Degree COP	Region IV HSPF	AHR#
RP1442FC1	R802VA075421ZSA	RCF4821STAM	41500 [12.2]	28900 [8.5]	12600 [3.7]	14.00	11.50	1250 [589.9]	39500 [11.6]	3.70	25200 [7.4]	2.54	8.20	8378756
		RCF4824STAM	41500 [12.2]	28900 [8.5]	12600 [3.7]	14.00	11.50	1250 [589.9]	39500 [11.6]	3.70	25200 [7.4]	2.54	8.20	8378808
RP1442FC1	R802VA075421ZSB	RCF4821STAM	41500 [12.2]	28900 [8.5]	12600 [3.7]	14.00	11.50	1250 [589.9]	39500 [11.6]	3.70	25200 [7.4]	2.54	8.20	8378757
		RCF4824STAM	41500 [12.2]	28900 [8.5]	12600 [3.7]	14.00	11.50	1250 [589.9]	39500 [11.6]	3.70	25200 [7.4]	2.54	8.20	8378809
RP1442FC1	R802VA075421ZXA	RCF4821STAM	41500 [12.2]	28900 [8.5]	12600 [3.7]	14.00	11.50	1250 [589.9]	39500 [11.6]	3.70	25200 [7.4]	2.54	8.20	8378758
		RCF4824STAM	41500 [12.2]	28900 [8.5]	12600 [3.7]	14.00	11.50	1250 [589.9]	39500 [11.6]	3.70	25200 [7.4]	2.54	8.20	8378810
RP1442FC1	R802VA075421ZXB	RCF4821STAM	41500 [12.2]	28900 [8.5]	12600 [3.7]	14.00	11.50	1250 [589.9]	39500 [11.6]	3.70	25200 [7.4]	2.54	8.20	8378759
		RCF4824STAM	41500 [12.2]	28900 [8.5]	12600 [3.7]	14.00	11.50	1250 [589.9]	39500 [11.6]	3.70	25200 [7.4]	2.54	8.20	8378811
RP1442FC1	R802VA100521MSA	RCF4821STAM	42000 [12.3]	30100 [8.8]	11900 [3.5]	14.00	11.50	1350 [637.1]	40000 [11.7]	3.80	25400 [7.4]	2.66	8.20	8378760
		RCF4824STAM	42000 [12.3]	30100 [8.8]	11900 [3.5]	14.00	11.50	1350 [637.1]	40000 [11.7]	3.80	25400 [7.4]	2.66	8.20	8378812
RP1442FC1	R802VA100521MXA	RCF4821STAM	42000 [12.3]	30100 [8.8]	11900 [3.5]	14.00	11.50	1350 [637.1]	40000 [11.7]	3.80	25400 [7.4]	2.66	8.20	8378761
		RCF4824STAM	42000 [12.3]	30100 [8.8]	11900 [3.5]	14.00	11.50	1350 [637.1]	40000 [11.7]	3.80	25400 [7.4]	2.66	8.20	8378813
RP1442FC1	R802VA100521ZSA	RCF4821STAM	42000 [12.3]	30100 [8.8]	11900 [3.5]	14.00	11.50	1400 [660.7]	40000 [11.7]	3.76	25800 [7.6]	2.60	8.20	8378762
		RCF4824STAM	42000 [12.3]	30100 [8.8]	11900 [3.5]	14.00	11.50	1400 [660.7]	40000 [11.7]	3.76	25800 [7.6]	2.60	8.20	8378814
RP1442FC1	R802VA100521ZSB	RCF4821STAM	42000 [12.3]	30100 [8.8]	11900 [3.5]	14.00	11.50	1400 [660.7]	40000 [11.7]	3.76	25800 [7.6]	2.60	8.20	8378763
		RCF4824STAM	42000 [12.3]	30100 [8.8]	11900 [3.5]	14.00	11.50	1400 [660.7]	40000 [11.7]	3.76	25800 [7.6]	2.60	8.20	8378815
RP1442FC1	R802VA100521ZXA	RCF4821STAM	42000 [12.3]	30100 [8.8]	11900 [3.5]	14.00	11.50	1400 [660.7]	40000 [11.7]	3.76	25800 [7.6]	2.60	8.20	8378764
		RCF4824STAM	42000 [12.3]	30100 [8.8]	11900 [3.5]	14.00	11.50	1400 [660.7]	40000 [11.7]	3.76	25800 [7.6]	2.60	8.20	8378816
RP1442FC1	R802VA100521ZXB	RCF4821STAM	42000 [12.3]	30100 [8.8]	11900 [3.5]	14.00	11.50	1400 [660.7]	40000 [11.7]	3.76	25800 [7.6]	2.60	8.20	8378765
		RCF4824STAM	42000 [12.3]	30100 [8.8]	11900 [3.5]	14.00	11.50	1400 [660.7]	40000 [11.7]	3.76	25800 [7.6]	2.60	8.20	8378817
RP1442FC1	R802VA125524MSA	RCF4824STAM	42000 [12.3]	30100 [8.8]	11900 [3.5]	14.00	11.50	1350 [637.1]	40000 [11.7]	3.80	25400 [7.4]	2.66	8.20	8378818
		RCF4821STAM	42000 [12.3]	30100 [8.8]	11900 [3.5]	14.00	11.50	1350 [637.1]	40000 [11.7]	3.80	25400 [7.4]	2.66	8.20	8378819
RP1442FC1	R802VA125524MXA	RCF4824STAM	42000 [12.3]	30100 [8.8]	11900 [3.5]	14.00	11.50	1350 [637.1]	40000 [11.7]	3.80	25400 [7.4]	2.66	8.20	8378820
		RCF4821STAM	42000 [12.3]	30100 [8.8]	11900 [3.5]	14.00	11.50	1350 [637.1]	40000 [11.7]	3.80	25400 [7.4]	2.66	8.20	8378821
RP1442FC1	R802VA125524ZSA	RCF4824STAM	42000 [12.3]	30100 [8.8]	11900 [3.5]	14.00	11.50	1400 [660.7]	40000 [11.7]	3.76	25800 [7.6]	2.60	8.20	8378822
		RCF4821STAM	42000 [12.3]	30100 [8.8]	11900 [3.5]	14.00	11.50	1400 [660.7]	40000 [11.7]	3.76	25800 [7.6]	2.60	8.20	8378823
RP1442FC1	R802VA125524ZXB	RCF4824STAM	42000 [12.3]	30100 [8.8]	11900 [3.5]	14.00	11.50	1400 [660.7]	40000 [11.7]	3.76	25800 [7.6]	2.60	8.20	8378824
		RCF4821STAM	41500 [12.2]	29300 [8.6]	12200 [3.6]	14.00	11.50	1325 [625.3]	40500 [11.9]	3.70	26000 [7.6]	2.54	8.20	8378766
RP1442FC1	R802VB07531ZSXB	RCF4821STAM	41500 [12.2]	29300 [8.6]	12200 [3.6]	14.00	11.50	1325 [625.3]	40500 [11.9]	3.70	26000 [7.6]	2.54	8.20	8378767
		RCF4824STAM	41500 [12.2]	29300 [8.6]	12200 [3.6]	14.00	11.50	1325 [625.3]	40500 [11.9]	3.70	26000 [7.6]	2.54	8.20	8378768
RP1442FC1	R802VB075421ZSXB	RCF4821STAM	41500 [12.2]	28900 [8.5]	12600 [3.7]	14.00	11.50	1250 [589.9]	39500 [11.6]	3.70	25200 [7.4]	2.54	8.20	8378769
		RCF4824STAM	41500 [12.2]	28900 [8.5]	12600 [3.7]	14.00	11.50	1250 [589.9]	39500 [11.6]	3.70	25200 [7.4]	2.54	8.20	8378825
RP1442FC1	R802VB075421ZXB	RCF4821STAM	41500 [12.2]	28900 [8.5]	12600 [3.7]	14.00	11.50	1250 [589.9]	39500 [11.6]	3.70	25200 [7.4]	2.54	8.20	8378770
		RCF4824STAM	41500 [12.2]	28900 [8.5]	12600 [3.7]	14.00	11.50	1250 [589.9]	39500 [11.6]	3.70	25200 [7.4]	2.54	8.20	8378826
RP1442FC1	R802VB100521ZSXB	RCF4821STAM	42000 [12.3]	30100 [8.8]	11900 [3.5]	14.00	11.50	1400 [660.7]	40000 [11.7]	3.76	25800 [7.6]	2.60	8.20	8378770
		RCF4824STAM	42000 [12.3]	30100 [8.8]	11900 [3.5]	14.00	11.50	1400 [660.7]	40000 [11.7]	3.76	25800 [7.6]	2.60	8.20	8378826

[] Designates Metric Conversions

Performance Data @ AHRI Standard Conditions – Heat Pump (con't.)

R802V: Ultra 2-Stage 80% ECM Furnace Ratings														
Outdoor Unit	Furnace	Indoor Coil	Total Capacity BTU/H [kW]	Net Sensible BTU/H [kW]	Net Latent BTU/H [kW]	SEER	EER	Indoor CFM [L/s]	47 Degree Heating Capacity BTU/H [kW]	47 Degree COP	17 Degree Heating Capacity BTU/H [kW]	47 Degree COP	Region IV HSPF	AHRI#
RP1442FC1	R802VB100521ZXB	RCF4821STAM	42000 [12.3]	30100 [8.8]	11900 [3.5]	14.00	11.50	1400 [660.7]	40000 [11.7]	3.76	25800 [7.6]	2.60	8.20	8378771
RP1442FC1	R802VB125524ZSB	RCF4824STAM	42000 [12.3]	30100 [8.8]	11900 [3.5]	14.00	11.50	1400 [660.7]	40000 [11.7]	3.76	25800 [7.6]	2.60	8.20	8378827
RP1442FC1	R802VB125524ZXB	RCF4824STAM	42000 [12.3]	30100 [8.8]	11900 [3.5]	14.00	11.50	1400 [660.7]	40000 [11.7]	3.76	25800 [7.6]	2.60	8.20	8378828
RP1442FC1	R802VA075317ZSA	RCF4821STAM	41500 [12.2]	29300 [8.6]	12200 [3.6]	14.00	11.50	1325 [625.3]	40500 [11.9]	3.70	26000 [7.6]	2.54	8.20	8379343
RP1442FC1	R802VA075317ZSB	RCF4821STAM	41500 [12.2]	29300 [8.6]	12200 [3.6]	14.00	11.50	1325 [625.3]	40500 [11.9]	3.70	26000 [7.6]	2.54	8.20	8379344
RP1442FC1	R802VA075317ZXA	RCF4821STAM	41500 [12.2]	29300 [8.6]	12200 [3.6]	14.00	11.50	1325 [625.3]	40500 [11.9]	3.70	26000 [7.6]	2.54	8.20	8379345
RP1442FC1	R802VA075317ZXB	RCF4821STAM	41500 [12.2]	29300 [8.6]	12200 [3.6]	14.00	11.50	1325 [625.3]	40500 [11.9]	3.70	26000 [7.6]	2.54	8.20	8379346
RP1442FC1	R802VA075421MSA	RCF4821STAM	42000 [12.3]	30100 [8.8]	11900 [3.5]	14.00	11.50	1425 [672.5]	40000 [11.7]	3.76	25800 [7.6]	2.60	8.20	8379347
RP1442FC1	R802VA075421MXA	RCF4824STAM	42000 [12.3]	30100 [8.8]	11900 [3.5]	14.00	11.50	1425 [672.5]	40000 [11.7]	3.76	25800 [7.6]	2.60	8.20	8379399
RP1442FC1	R802VA075421MXA	RCF4821STAM	42000 [12.3]	30100 [8.8]	11900 [3.5]	14.00	11.50	1425 [672.5]	40000 [11.7]	3.76	25800 [7.6]	2.60	8.20	8379348
RP1442FC1	R802VA075421ZSA	RCF4824STAM	42000 [12.3]	30100 [8.8]	11900 [3.5]	14.00	11.50	1425 [672.5]	40000 [11.7]	3.76	25800 [7.6]	2.60	8.20	8379400
RP1442FC1	R802VA075421ZSB	RCF4821STAM	41500 [12.2]	28900 [8.5]	12600 [3.7]	14.00	11.50	1250 [589.9]	39500 [11.6]	3.70	25200 [7.4]	2.54	8.20	8379349
RP1442FC1	R802VA075421ZSB	RCF4821STAM	41500 [12.2]	28900 [8.5]	12600 [3.7]	14.00	11.50	1250 [589.9]	39500 [11.6]	3.70	25200 [7.4]	2.54	8.20	8379401
RP1442FC1	R802VA075421ZXA	RCF4824STAM	41500 [12.2]	28900 [8.5]	12600 [3.7]	14.00	11.50	1250 [589.9]	39500 [11.6]	3.70	25200 [7.4]	2.54	8.20	8379350
RP1442FC1	R802VA075421ZXB	RCF4824STAM	41500 [12.2]	28900 [8.5]	12600 [3.7]	14.00	11.50	1250 [589.9]	39500 [11.6]	3.70	25200 [7.4]	2.54	8.20	8379402
RP1442FC1	R802VA100521MSA	RCF4821STAM	42000 [12.3]	30100 [8.8]	11900 [3.5]	14.00	11.50	1350 [637.1]	40000 [11.7]	3.80	25400 [7.4]	2.66	8.20	8379353
RP1442FC1	R802VA100521MXA	RCF4821STAM	42000 [12.3]	30100 [8.8]	11900 [3.5]	14.00	11.50	1350 [637.1]	40000 [11.7]	3.80	25400 [7.4]	2.66	8.20	8379405
RP1442FC1	R802VA100521MXA	RCF4824STAM	42000 [12.3]	30100 [8.8]	11900 [3.5]	14.00	11.50	1350 [637.1]	40000 [11.7]	3.80	25400 [7.4]	2.66	8.20	8379354
RP1442FC1	R802VA100521ZSA	RCF4824STAM	42000 [12.3]	30100 [8.8]	11900 [3.5]	14.00	11.50	1350 [637.1]	40000 [11.7]	3.80	25400 [7.4]	2.66	8.20	8379406
RP1442FC1	R802VA100521ZSB	RCF4821STAM	42000 [12.3]	30100 [8.8]	11900 [3.5]	14.00	11.50	1400 [660.7]	40000 [11.7]	3.76	25800 [7.6]	2.60	8.20	8379355
RP1442FC1	R802VA100521ZXA	RCF4824STAM	42000 [12.3]	30100 [8.8]	11900 [3.5]	14.00	11.50	1400 [660.7]	40000 [11.7]	3.76	25800 [7.6]	2.60	8.20	8379407
RP1442FC1	R802VA100521ZSB	RCF4821STAM	42000 [12.3]	30100 [8.8]	11900 [3.5]	14.00	11.50	1400 [660.7]	40000 [11.7]	3.76	25800 [7.6]	2.60	8.20	8379356
RP1442FC1	R802VA100521ZXA	RCF4824STAM	42000 [12.3]	30100 [8.8]	11900 [3.5]	14.00	11.50	1400 [660.7]	40000 [11.7]	3.76	25800 [7.6]	2.60	8.20	8379408
RP1442FC1	R802VA100521ZXB	RCF4821STAM	42000 [12.3]	30100 [8.8]	11900 [3.5]	14.00	11.50	1400 [660.7]	40000 [11.7]	3.76	25800 [7.6]	2.60	8.20	8379357
RP1442FC1	R802VA125524MMSA	RCF4824STAM	42000 [12.3]	30100 [8.8]	11900 [3.5]	14.00	11.50	1350 [637.1]	40000 [11.7]	3.80	25400 [7.4]	2.66	8.20	8379409
RP1442FC1	R802VA125524MXA	RCF4824STAM	42000 [12.3]	30100 [8.8]	11900 [3.5]	14.00	11.50	1350 [637.1]	40000 [11.7]	3.80	25400 [7.4]	2.66	8.20	8379411
RP1442FC1	R802VA125524MXA	RCF4824STAM	42000 [12.3]	30100 [8.8]	11900 [3.5]	14.00	11.50	1350 [637.1]	40000 [11.7]	3.80	25400 [7.4]	2.66	8.20	8379412

[] Designates Metric Conversions

Performance Data @ AHRI Standard Conditions – Heat Pump (con't.)

R802V: Ultra 2-Stage 80% ECM Furnace Ratings														
Outdoor Unit	Furnace	Indoor Coil	Total Capacity BTU/H [kW]	Net Sensible BTU/H [kW]	Net Latent BTU/H [kW]	SEER	EER	Indoor CFM [L/s]	47 Degree Heating Capacity BTU/H [kW]	47 Degree COP	17 Degree Heating Capacity BTU/H [kW]	47 Degree COP	Region IV HSPF	AHR#
RP1442FJ1	R802VA12552AZSA	RCF4824STAM	42000 [12.3]	30100 [8.8]	11900 [3.5]	14.00	11.50	1400 [660.7]	40000 [11.7]	3.76	25800 [7.6]	2.60	8.20	8379413
RP1442FJ1	R802VA12552AZSB	RCF4824STAM	42000 [12.3]	30100 [8.8]	11900 [3.5]	14.00	11.50	1400 [660.7]	40000 [11.7]	3.76	25800 [7.6]	2.60	8.20	8379414
RP1442FJ1	R802VA12552AZXA	RCF4824STAM	42000 [12.3]	30100 [8.8]	11900 [3.5]	14.00	11.50	1400 [660.7]	40000 [11.7]	3.76	25800 [7.6]	2.60	8.20	8379415
RP1442FJ1	R802VA12552AZXB	RCF4824STAM	42000 [12.3]	30100 [8.8]	11900 [3.5]	14.00	11.50	1400 [660.7]	40000 [11.7]	3.76	25800 [7.6]	2.60	8.20	8379416
RP1442FJ1	R802VB07531TZSB	RCF4821STAM	41500 [12.2]	29300 [8.6]	12200 [3.6]	14.00	11.50	1325 [625.3]	40500 [11.9]	3.70	26000 [7.6]	2.54	8.20	8379359
RP1442FJ1	R802VB07531TZXB	RCF4821STAM	41500 [12.2]	29300 [8.6]	12200 [3.6]	14.00	11.50	1325 [625.3]	40500 [11.9]	3.70	26000 [7.6]	2.54	8.20	8379360
RP1442FJ1	R802VB07542TZSB	RCF4821STAM	41500 [12.2]	28900 [8.5]	12600 [3.7]	14.00	11.50	1250 [589.9]	39500 [11.6]	3.70	25200 [7.4]	2.54	8.20	8379361
RP1442FJ1	R802VB07542TZXB	RCF4824STAM	41500 [12.2]	28900 [8.5]	12600 [3.7]	14.00	11.50	1250 [589.9]	39500 [11.6]	3.70	25200 [7.4]	2.54	8.20	8379362
RP1442FJ1	R802VB10052TZSB	RCF4821STAM	42000 [12.3]	30100 [8.8]	11900 [3.5]	14.00	11.50	1400 [660.7]	40000 [11.7]	3.76	25800 [7.6]	2.60	8.20	8379363
RP1442FJ1	R802VB10052TZXB	RCF4824STAM	42000 [12.3]	30100 [8.8]	11900 [3.5]	14.00	11.50	1400 [660.7]	40000 [11.7]	3.76	25800 [7.6]	2.60	8.20	8379364
RP1442FJ1	R802VB12552AZSB	RCF4821STAM	42000 [12.3]	30100 [8.8]	11900 [3.5]	14.00	11.50	1400 [660.7]	40000 [11.7]	3.76	25800 [7.6]	2.60	8.20	8379420
RP1442FJ1	R802VB12552AZXB	RCF4824STAM	42000 [12.3]	30100 [8.8]	11900 [3.5]	14.00	11.50	1400 [660.7]	40000 [11.7]	3.76	25800 [7.6]	2.60	8.20	8379421
RP1448FC1	R802VA075421MISA	RCF4821STAM	46000 [13.5]	32600 [9.6]	13400 [3.9]	14.00	11.50	1425 [672.5]	44000 [12.9]	3.66	28400 [8.3]	2.54	8.20	8378866
RP1448FC1	R802VA075421MXA	RCF4821STAM	46000 [13.5]	32600 [9.6]	13400 [3.9]	14.00	11.50	1425 [672.5]	44000 [12.9]	3.66	28400 [8.3]	2.54	8.20	8378867
RP1448FC1	R802VA075421ZSA	RCF4824STAM	46000 [13.5]	32700 [9.6]	13300 [3.9]	14.00	11.50	1425 [672.5]	44000 [12.9]	3.66	28400 [8.3]	2.54	8.20	8378917
RP1448FC1	R802VA075421ZSA	RCF4821STAM	46000 [13.5]	32700 [9.6]	13300 [3.9]	14.00	11.50	1450 [684.3]	44500 [13.0]	3.60	29000 [8.5]	2.50	8.20	8378868
RP1448FC1	R802VA075421ZSB	RCF4824STAM	46000 [13.5]	32700 [9.6]	13300 [3.9]	14.00	11.50	1450 [684.3]	44500 [13.0]	3.60	29000 [8.5]	2.50	8.20	8378918
RP1448FC1	R802VA075421ZSB	RCF4821STAM	46000 [13.5]	32700 [9.6]	13300 [3.9]	14.00	11.50	1450 [684.3]	44500 [13.0]	3.60	29000 [8.5]	2.50	8.20	8378869
RP1448FC1	R802VA075421ZXA	RCF4821STAM	46000 [13.5]	32700 [9.6]	13300 [3.9]	14.00	11.50	1450 [684.3]	44500 [13.0]	3.60	29000 [8.5]	2.50	8.20	8378919
RP1448FC1	R802VA075421ZXB	RCF4824STAM	46000 [13.5]	32700 [9.6]	13300 [3.9]	14.00	11.50	1450 [684.3]	44500 [13.0]	3.60	29000 [8.5]	2.50	8.20	8378870
RP1448FC1	R802VA100521MISA	RCF4821STAM	47000 [13.8]	34500 [10.1]	12500 [3.7]	14.00	11.50	1575 [743.3]	44500 [13.0]	3.66	29000 [8.5]	2.60	8.20	8378872
RP1448FC1	R802VA100521MXA	RCF4824STAM	47000 [13.8]	34500 [10.1]	12500 [3.7]	14.00	11.50	1575 [743.3]	44500 [13.0]	3.66	29000 [8.5]	2.60	8.20	8378922
RP1448FC1	R802VA100521ZSA	RCF4821STAM	47000 [13.8]	34500 [10.1]	12500 [3.7]	14.00	11.50	1575 [743.3]	44500 [13.0]	3.66	29000 [8.5]	2.60	8.20	8378873
RP1448FC1	R802VA100521ZSA	RCF4824STAM	47000 [13.8]	34500 [10.1]	12500 [3.7]	14.00	11.50	1575 [743.3]	44500 [13.0]	3.66	29000 [8.5]	2.60	8.20	8378923
RP1448FC1	R802VA100521ZSB	RCF4821STAM	46500 [13.6]	34200 [10.0]	12300 [3.6]	14.00	11.50	1600 [755.1]	45000 [13.2]	3.60	29400 [8.6]	2.54	8.20	8378874
RP1448FC1	R802VA100521ZSB	RCF4824STAM	46500 [13.6]	34200 [10.0]	12300 [3.6]	14.00	11.50	1600 [755.1]	45000 [13.2]	3.60	29400 [8.6]	2.54	8.20	8378924

[] Designates Metric Conversions

Performance Data @ AHRI Standard Conditions – Heat Pump (con't.)

R802V: Ultra 2-Stage 80% ECM Furnace Ratings														
Outdoor Unit	Furnace	Indoor Coil	Total Capacity BTU/H [kW]	Net Sensible BTU/H [kW]	Net Latent BTU/H [kW]	SEER	EER	Indoor CFM [L/s]	47 Degree Heating Capacity BTU/H [kW]	47 Degree COP	17 Degree Heating Capacity BTU/H [kW]	47 Degree COP	Region IV HSPF	AHRI#
RP1448FC1	R802VA100521ZSB	RCF4821STAM	46500 [13.6]	34200 [10.0]	12300 [3.6]	14.00	11.50	1600 [755.1]	45000 [13.2]	3.60	29400 [8.6]	2.54	8.20	8378875
		RCF4824STAM	46500 [13.6]	34200 [10.0]	12300 [3.6]	14.00	11.50	1600 [755.1]	45000 [13.2]	3.60	29400 [8.6]	2.54	8.20	8378925
RP1448FC1	R802VA100521ZXA	RCF4821STAM	46500 [13.6]	34200 [10.0]	12300 [3.6]	14.00	11.50	1600 [755.1]	45000 [13.2]	3.60	29400 [8.6]	2.54	8.20	8378876
		RCF4824STAM	46500 [13.6]	34200 [10.0]	12300 [3.6]	14.00	11.50	1600 [755.1]	45000 [13.2]	3.60	29400 [8.6]	2.54	8.20	8378926
RP1448FC1	R802VA100521ZXB	RCF4821STAM	46500 [13.6]	34200 [10.0]	12300 [3.6]	14.00	11.50	1600 [755.1]	45000 [13.2]	3.60	29400 [8.6]	2.54	8.20	8378877
		RCF4824STAM	46500 [13.6]	34200 [10.0]	12300 [3.6]	14.00	11.50	1600 [755.1]	45000 [13.2]	3.60	29400 [8.6]	2.54	8.20	8378927
RP1448FC1	R802VA125524MMSA	RCF4824STAM	47000 [13.8]	34500 [10.1]	12500 [3.7]	14.00	11.50	1575 [743.3]	44500 [13.0]	3.66	29000 [8.5]	2.60	8.20	8378928
RP1448FC1	R802VA125524MMSA	RCF4824STAM	47000 [13.8]	34500 [10.1]	12500 [3.7]	14.00	11.50	1575 [743.3]	44500 [13.0]	3.66	29000 [8.5]	2.60	8.20	8378929
RP1448FC1	R802VA125524ZSA	RCF4824STAM	46000 [13.5]	32400 [9.5]	13600 [4.0]	14.00	11.50	1400 [660.7]	44000 [12.9]	3.60	28400 [8.3]	2.54	8.20	8378930
RP1448FC1	R802VA125524ZSB	RCF4824STAM	46000 [13.5]	32400 [9.5]	13600 [4.0]	14.00	11.50	1400 [660.7]	44000 [12.9]	3.60	28400 [8.3]	2.54	8.20	8378931
RP1448FC1	R802VA125524ZXA	RCF4824STAM	46000 [13.5]	32400 [9.5]	13600 [4.0]	14.00	11.50	1400 [660.7]	44000 [12.9]	3.60	28400 [8.3]	2.54	8.20	8378932
RP1448FC1	R802VA125524ZXB	RCF4824STAM	46000 [13.5]	32400 [9.5]	13600 [4.0]	14.00	11.50	1400 [660.7]	44000 [12.9]	3.60	28400 [8.3]	2.54	8.20	8378933
RP1448FC1	R802VB075421ZSB	RCF4821STAM	46000 [13.5]	32700 [9.6]	13300 [3.9]	14.00	11.50	1450 [684.3]	44500 [13.0]	3.60	29000 [8.5]	2.50	8.20	8378878
		RCF4824STAM	46000 [13.5]	32700 [9.6]	13300 [3.9]	14.00	11.50	1450 [684.3]	44500 [13.0]	3.60	29000 [8.5]	2.50	8.20	8378934
RP1448FC1	R802VB075421ZXB	RCF4821STAM	46000 [13.5]	32700 [9.6]	13300 [3.9]	14.00	11.50	1450 [684.3]	44500 [13.0]	3.60	29000 [8.5]	2.50	8.20	8378879
		RCF4824STAM	46000 [13.5]	32700 [9.6]	13300 [3.9]	14.00	11.50	1450 [684.3]	44500 [13.0]	3.60	29000 [8.5]	2.50	8.20	8378935
RP1448FC1	R802VB100521ZSB	RCF4821STAM	46500 [13.6]	34200 [10.0]	12300 [3.6]	14.00	11.50	1600 [755.1]	45000 [13.2]	3.60	29400 [8.6]	2.54	8.20	8378880
		RCF4824STAM	46500 [13.6]	34200 [10.0]	12300 [3.6]	14.00	11.50	1600 [755.1]	45000 [13.2]	3.60	29400 [8.6]	2.54	8.20	8378936
RP1448FC1	R802VB100521ZXB	RCF4821STAM	46500 [13.6]	34200 [10.0]	12300 [3.6]	14.00	11.50	1600 [755.1]	45000 [13.2]	3.60	29400 [8.6]	2.54	8.20	8378881
		RCF4824STAM	46500 [13.6]	34200 [10.0]	12300 [3.6]	14.00	11.50	1600 [755.1]	45000 [13.2]	3.60	29400 [8.6]	2.54	8.20	8378937
RP1448FC1	R802VB125524ZSB	RCF4824STAM	46000 [13.5]	32400 [9.5]	13600 [4.0]	14.00	11.50	1400 [660.7]	44000 [12.9]	3.60	28400 [8.3]	2.54	8.20	8378938
		RCF4824STAM	46000 [13.5]	32400 [9.5]	13600 [4.0]	14.00	11.50	1400 [660.7]	44000 [12.9]	3.60	28400 [8.3]	2.54	8.20	8378939
RP1448FC1	R802VB125524ZXB	RCF4824STAM	46000 [13.5]	32400 [9.5]	13600 [4.0]	14.00	11.50	1400 [660.7]	44000 [12.9]	3.60	28400 [8.3]	2.54	8.20	8378945
		RCF4824STAM	46000 [13.5]	32400 [9.5]	13600 [4.0]	14.00	11.50	1400 [660.7]	44000 [12.9]	3.60	28400 [8.3]	2.54	8.20	8379505
RP1448FJ1	R802VA075421MMSA	RCF4821STAM	46000 [13.5]	32600 [9.6]	13400 [3.9]	14.00	11.50	1425 [672.5]	44000 [12.9]	3.66	28400 [8.3]	2.54	8.20	8379455
		RCF4824STAM	46000 [13.5]	32600 [9.6]	13400 [3.9]	14.00	11.50	1425 [672.5]	44000 [12.9]	3.66	28400 [8.3]	2.54	8.20	8379505
RP1448FJ1	R802VA075421MXA	RCF4821STAM	46000 [13.5]	32600 [9.6]	13400 [3.9]	14.00	11.50	1425 [672.5]	44000 [12.9]	3.66	28400 [8.3]	2.54	8.20	8379456
		RCF4824STAM	46000 [13.5]	32600 [9.6]	13400 [3.9]	14.00	11.50	1425 [672.5]	44000 [12.9]	3.66	28400 [8.3]	2.54	8.20	8379506
RP1448FJ1	R802VA075421ZSA	RCF4821STAM	46000 [13.5]	32700 [9.6]	13300 [3.9]	14.00	11.50	1450 [684.3]	44500 [13.0]	3.60	29000 [8.5]	2.50	8.20	8379457
		RCF4824STAM	46000 [13.5]	32700 [9.6]	13300 [3.9]	14.00	11.50	1450 [684.3]	44500 [13.0]	3.60	29000 [8.5]	2.50	8.20	8379507
RP1448FJ1	R802VA075421ZSB	RCF4821STAM	46000 [13.5]	32700 [9.6]	13300 [3.9]	14.00	11.50	1450 [684.3]	44500 [13.0]	3.60	29000 [8.5]	2.50	8.20	8379458
		RCF4824STAM	46000 [13.5]	32700 [9.6]	13300 [3.9]	14.00	11.50	1450 [684.3]	44500 [13.0]	3.60	29000 [8.5]	2.50	8.20	8379508
RP1448FJ1	R802VA075421ZXA	RCF4821STAM	46000 [13.5]	32700 [9.6]	13300 [3.9]	14.00	11.50	1450 [684.3]	44500 [13.0]	3.60	29000 [8.5]	2.50	8.20	8379459
		RCF4824STAM	46000 [13.5]	32700 [9.6]	13300 [3.9]	14.00	11.50	1450 [684.3]	44500 [13.0]	3.60	29000 [8.5]	2.50	8.20	8379509
RP1448FJ1	R802VA075421ZXB	RCF4821STAM	46000 [13.5]	32700 [9.6]	13300 [3.9]	14.00	11.50	1450 [684.3]	44500 [13.0]	3.60	29000 [8.5]	2.50	8.20	8379460
		RCF4824STAM	46000 [13.5]	32700 [9.6]	13300 [3.9]	14.00	11.50	1450 [684.3]	44500 [13.0]	3.60	29000 [8.5]	2.50	8.20	8379510

[] Designates Metric Conversions

Performance Data @ AHRI Standard Conditions – Heat Pump (con't.)

R802V: Ultra 2-Stage 80% ECM Furnace Ratings														
Outdoor Unit	Furnace	Indoor Coil	Total Capacity BTU/H [kW]	Net Sensible BTU/H [kW]	Net Latent BTU/H [kW]	SEER	EER	Indoor CFM [L/s]	47 Degree Heating Capacity BTU/H [kW]	47 Degree COP	17 Degree Heating Capacity BTU/H [kW]	47 Degree COP	Region IV HSPF	AHR#
RP1448FJ1	R802VA100521MSA	RCF4821STAM	47000 [13.8]	34500 [10.1]	12500 [3.7]	14.00	11.50	1575 [743.3]	44500 [13.0]	3.66	29000 [8.5]	2.60	8.20	8379461
		RCF4824STAM	47000 [13.8]	34500 [10.1]	12500 [3.7]	14.00	11.50	1575 [743.3]	44500 [13.0]	3.66	29000 [8.5]	2.60	8.20	8379511
RP1448FJ1	R802VA100521MXA	RCF4821STAM	47000 [13.8]	34500 [10.1]	12500 [3.7]	14.00	11.50	1575 [743.3]	44500 [13.0]	3.66	29000 [8.5]	2.60	8.20	8379462
		RCF4824STAM	47000 [13.8]	34500 [10.1]	12500 [3.7]	14.00	11.50	1575 [743.3]	44500 [13.0]	3.66	29000 [8.5]	2.60	8.20	8379512
RP1448FJ1	R802VA100521ZSA	RCF4821STAM	46500 [13.6]	34200 [10.0]	12300 [3.6]	14.00	11.50	1600 [755.1]	45000 [13.2]	3.60	29400 [8.6]	2.54	8.20	8379463
		RCF4824STAM	46500 [13.6]	34200 [10.0]	12300 [3.6]	14.00	11.50	1600 [755.1]	45000 [13.2]	3.60	29400 [8.6]	2.54	8.20	8379513
RP1448FJ1	R802VA100521ZSB	RCF4821STAM	46500 [13.6]	34200 [10.0]	12300 [3.6]	14.00	11.50	1600 [755.1]	45000 [13.2]	3.60	29400 [8.6]	2.54	8.20	8379464
		RCF4824STAM	46500 [13.6]	34200 [10.0]	12300 [3.6]	14.00	11.50	1600 [755.1]	45000 [13.2]	3.60	29400 [8.6]	2.54	8.20	8379514
RP1448FJ1	R802VA100521ZXA	RCF4821STAM	46500 [13.6]	34200 [10.0]	12300 [3.6]	14.00	11.50	1600 [755.1]	45000 [13.2]	3.60	29400 [8.6]	2.54	8.20	8379465
		RCF4824STAM	46500 [13.6]	34200 [10.0]	12300 [3.6]	14.00	11.50	1600 [755.1]	45000 [13.2]	3.60	29400 [8.6]	2.54	8.20	8379515
RP1448FJ1	R802VA100521ZXB	RCF4821STAM	46500 [13.6]	34200 [10.0]	12300 [3.6]	14.00	11.50	1600 [755.1]	45000 [13.2]	3.60	29400 [8.6]	2.54	8.20	8379466
		RCF4824STAM	46500 [13.6]	34200 [10.0]	12300 [3.6]	14.00	11.50	1600 [755.1]	45000 [13.2]	3.60	29400 [8.6]	2.54	8.20	8379516
RP1448FJ1	R802VA125524MSA	RCF4824STAM	47000 [13.8]	34500 [10.1]	12500 [3.7]	14.00	11.50	1575 [743.3]	44500 [13.0]	3.66	29000 [8.5]	2.60	8.20	8379517
RP1448FJ1	R802VA125524MXA	RCF4824STAM	47000 [13.8]	34500 [10.1]	12500 [3.7]	14.00	11.50	1575 [743.3]	44500 [13.0]	3.66	29000 [8.5]	2.60	8.20	8379518
RP1448FJ1	R802VA125524ZSA	RCF4824STAM	46000 [13.5]	32400 [9.5]	13600 [4.0]	14.00	11.50	1400 [660.7]	44000 [12.9]	3.60	28400 [8.3]	2.54	8.20	8379519
RP1448FJ1	R802VA125524ZSB	RCF4824STAM	46000 [13.5]	32400 [9.5]	13600 [4.0]	14.00	11.50	1400 [660.7]	44000 [12.9]	3.60	28400 [8.3]	2.54	8.20	8379520
RP1448FJ1	R802VA125524ZXA	RCF4824STAM	46000 [13.5]	32400 [9.5]	13600 [4.0]	14.00	11.50	1400 [660.7]	44000 [12.9]	3.60	28400 [8.3]	2.54	8.20	8379521
RP1448FJ1	R802VA125524ZXB	RCF4824STAM	46000 [13.5]	32400 [9.5]	13600 [4.0]	14.00	11.50	1400 [660.7]	44000 [12.9]	3.60	28400 [8.3]	2.54	8.20	8379522
RP1448FJ1	R802VB075421ZSB	RCF4821STAM	46000 [13.5]	32700 [9.6]	13300 [3.9]	14.00	11.50	1450 [684.3]	44500 [13.0]	3.60	29000 [8.5]	2.50	8.20	8379467
		RCF4824STAM	46000 [13.5]	32700 [9.6]	13300 [3.9]	14.00	11.50	1450 [684.3]	44500 [13.0]	3.60	29000 [8.5]	2.50	8.20	8379523
RP1448FJ1	R802VB075421ZXB	RCF4821STAM	46000 [13.5]	32700 [9.6]	13300 [3.9]	14.00	11.50	1450 [684.3]	44500 [13.0]	3.60	29000 [8.5]	2.50	8.20	8379468
		RCF4824STAM	46000 [13.5]	32700 [9.6]	13300 [3.9]	14.00	11.50	1450 [684.3]	44500 [13.0]	3.60	29000 [8.5]	2.50	8.20	8379524
RP1448FJ1	R802VB100521ZSB	RCF4821STAM	46500 [13.6]	34200 [10.0]	12300 [3.6]	14.00	11.50	1600 [755.1]	45000 [13.2]	3.60	29400 [8.6]	2.54	8.20	8379469
		RCF4824STAM	46500 [13.6]	34200 [10.0]	12300 [3.6]	14.00	11.50	1600 [755.1]	45000 [13.2]	3.60	29400 [8.6]	2.54	8.20	8379525
RP1448FJ1	R802VB100521ZXB	RCF4821STAM	46500 [13.6]	34200 [10.0]	12300 [3.6]	14.00	11.50	1600 [755.1]	45000 [13.2]	3.60	29400 [8.6]	2.54	8.20	8379470
		RCF4824STAM	46500 [13.6]	34200 [10.0]	12300 [3.6]	14.00	11.50	1600 [755.1]	45000 [13.2]	3.60	29400 [8.6]	2.54	8.20	8379526
RP1448FJ1	R802VB125524ZSB	RCF4824STAM	46000 [13.5]	32400 [9.5]	13600 [4.0]	14.00	11.50	1400 [660.7]	44000 [12.9]	3.60	28400 [8.3]	2.54	8.20	8379527
RP1448FJ1	R802VB125524ZXB	RCF4824STAM	46000 [13.5]	32400 [9.5]	13600 [4.0]	14.00	11.50	1400 [660.7]	44000 [12.9]	3.60	28400 [8.3]	2.54	8.20	8379528
RP1460FC1	R802VA075421MSA	RCF6024HTAM	57000 [16.7]	40800 [12.0]	16200 [4.7]	14.00	11.50	1725 [814.1]	56000 [16.4]	3.70	35800 [10.5]	2.60	8.20	8378983
		RCF6024STAM	57000 [16.7]	40800 [12.0]	16200 [4.7]	14.00	11.50	1725 [814.1]	56000 [16.4]	3.70	35800 [10.5]	2.60	8.20	8379029
RP1460FC1	R802VA075421MXA	RCF6024HTAM	57000 [16.7]	40800 [12.0]	16200 [4.7]	14.00	11.50	1725 [814.1]	56000 [16.4]	3.70	35800 [10.5]	2.60	8.20	8378984
		RCF6024STAM	57000 [16.7]	40800 [12.0]	16200 [4.7]	14.00	11.50	1725 [814.1]	56000 [16.4]	3.70	35800 [10.5]	2.60	8.20	8379030
RP1460FC1	R802VA100521MSA	RCF6024HTAM	58000 [17.0]	42200 [12.4]	15800 [4.6]	14.00	11.50	1775 [837.7]	56000 [16.4]	3.80	35800 [10.5]	2.66	8.20	8378985
		RCF6024STAM	58000 [17.0]	42200 [12.4]	15800 [4.6]	14.00	11.50	1775 [837.7]	56000 [16.4]	3.80	35800 [10.5]	2.66	8.20	8379031

[] Designates Metric Conversions

Performance Data @ AHRI Standard Conditions – Heat Pump (con't.)

R802V: Ultra 2-Stage 80% ECM Furnace Ratings														
Outdoor Unit	Furnace	Indoor Coil	Total Capacity BTU/H [kW]	Net Sensible BTU/H [kW]	Net Latent BTU/H [kW]	SEER	EER	Indoor CFM [L/s]	47 Degree Heating Capacity BTU/H [kW]	47 Degree COP	17 Degree Heating Capacity BTU/H [kW]	47 Degree COP	Region IV HSPF	AHRI#
RP1460FC1	R802VA100521MXA	RCF6024HTAM	58000 [17.0]	42200 [12.4]	15800 [4.6]	14.00	11.50	1775 [837.7]	56000 [16.4]	3.80	35800 [10.5]	2.66	8.20	8378986
RP1460FC1	R802VA100521ZSA	RCF6024STAM	57500 [16.9]	41900 [12.3]	15600 [4.6]	14.00	11.50	1800 [849.5]	56500 [16.6]	3.70	36200 [10.6]	2.60	8.20	8378987
RP1460FC1	R802VA100521ZSB	RCF6024HTAM	57500 [16.9]	41900 [12.3]	15600 [4.6]	14.00	11.50	1800 [849.5]	56500 [16.6]	3.70	36200 [10.6]	2.60	8.20	8378988
RP1460FC1	R802VA100521ZXA	RCF6024STAM	57500 [16.9]	41900 [12.3]	15600 [4.6]	14.00	11.50	1800 [849.5]	56500 [16.6]	3.70	36200 [10.6]	2.60	8.20	8378989
RP1460FC1	R802VA100521ZXB	RCF6024HTAM	57500 [16.9]	41900 [12.3]	15600 [4.6]	14.00	11.50	1800 [849.5]	56500 [16.6]	3.70	36200 [10.6]	2.60	8.20	8378990
RP1460FC1	R802VA125524MISA	RCF6024STAM	58000 [17.0]	42200 [12.4]	15800 [4.6]	14.00	11.50	1775 [837.7]	56000 [16.4]	3.80	35600 [10.4]	2.66	8.20	8378991
RP1460FC1	R802VA125524MIXA	RCF6024HTAM	58000 [17.0]	42200 [12.4]	15800 [4.6]	14.00	11.50	1775 [837.7]	56000 [16.4]	3.80	35600 [10.4]	2.66	8.20	8378992
RP1460FC1	R802VA125524ZSA	RCF6024STAM	57500 [16.9]	41500 [12.2]	16000 [4.7]	14.00	11.50	1750 [825.9]	56500 [16.6]	3.76	36000 [10.6]	2.60	8.20	8378993
RP1460FC1	R802VA125524ZSB	RCF6024HTAM	57500 [16.9]	41500 [12.2]	16000 [4.7]	14.00	11.50	1750 [825.9]	56500 [16.6]	3.76	36000 [10.6]	2.60	8.20	8378994
RP1460FC1	R802VA125524ZXA	RCF6024STAM	57500 [16.9]	41500 [12.2]	16000 [4.7]	14.00	11.50	1750 [825.9]	56500 [16.6]	3.76	36000 [10.6]	2.60	8.20	8378995
RP1460FC1	R802VA125524ZXB	RCF6024HTAM	57500 [16.9]	41500 [12.2]	16000 [4.7]	14.00	11.50	1750 [825.9]	56500 [16.6]	3.76	36000 [10.6]	2.60	8.20	8378996
RP1460FC1	R802VB100521ZSB	RCF6024STAM	57500 [16.9]	41900 [12.3]	15600 [4.6]	14.00	11.50	1800 [849.5]	56500 [16.6]	3.70	36200 [10.6]	2.60	8.20	8378997
RP1460FC1	R802VB125524ZSB	RCF6024HTAM	57500 [16.9]	41900 [12.3]	15600 [4.6]	14.00	11.50	1800 [849.5]	56500 [16.6]	3.70	36200 [10.6]	2.60	8.20	8378998
RP1460FC1	R802VB125524ZXB	RCF6024STAM	57500 [16.9]	41500 [12.2]	16000 [4.7]	14.00	11.50	1750 [825.9]	56500 [16.6]	3.76	36000 [10.6]	2.60	8.20	8378999
RP1460FJ1	R802VA075421MISA	RCF6024HTAM	57000 [16.7]	40800 [12.0]	16200 [4.7]	14.00	11.50	1725 [814.1]	56000 [16.4]	3.70	35800 [10.5]	2.60	8.20	8379046
RP1460FJ1	R802VA075421MIXA	RCF6024STAM	57000 [16.7]	40800 [12.0]	16200 [4.7]	14.00	11.50	1725 [814.1]	56000 [16.4]	3.70	35800 [10.5]	2.60	8.20	8379047

[] Designates Metric Conversions

Performance Data @ AHRI Standard Conditions – Heat Pump (con't.)

R802V: Ultra 2-Stage 80% ECM Furnace Ratings														
Outdoor Unit	Furnace	Indoor Coil	Total Capacity BTU/H [kW]	Net Sensible BTU/H [kW]	Net Latent BTU/H [kW]	SEER	EER	Indoor CFM [L/s]	47 Degree Heating Capacity BTU/H [kW]	47 Degree COP	17 Degree Heating Capacity BTU/H [kW]	47 Degree COP	Region IV HSPF	AHR#
RP1460FJ1	R802VA100521MSA	RCF6024HTAM	58000 [17.0]	42200 [12.4]	15800 [4.6]	14.00	11.50	1775 [837.7]	56000 [16.4]	3.80	35800 [10.5]	2.66	8.20	8379572
		RCF6024STAM	58000 [17.0]	42200 [12.4]	15800 [4.6]	14.00	11.50	1775 [837.7]	56000 [16.4]	3.80	35800 [10.5]	2.66	8.20	8379618
RP1460FJ1	R802VA100521MXA	RCF6024HTAM	58000 [17.0]	42200 [12.4]	15800 [4.6]	14.00	11.50	1775 [837.7]	56000 [16.4]	3.80	35800 [10.5]	2.66	8.20	8379573
		RCF6024STAM	58000 [17.0]	42200 [12.4]	15800 [4.6]	14.00	11.50	1775 [837.7]	56000 [16.4]	3.80	35800 [10.5]	2.66	8.20	8379619
RP1460FJ1	R802VA100521ZSA	RCF6024HTAM	57500 [16.9]	41900 [12.3]	15600 [4.6]	14.00	11.50	1800 [849.5]	56500 [16.6]	3.70	36200 [10.6]	2.60	8.20	8379574
		RCF6024STAM	57500 [16.9]	41900 [12.3]	15600 [4.6]	14.00	11.50	1800 [849.5]	56500 [16.6]	3.70	36200 [10.6]	2.60	8.20	8379620
RP1460FJ1	R802VA100521ZSB	RCF6024HTAM	57500 [16.9]	41900 [12.3]	15600 [4.6]	14.00	11.50	1800 [849.5]	56500 [16.6]	3.70	36200 [10.6]	2.60	8.20	8379575
		RCF6024STAM	57500 [16.9]	41900 [12.3]	15600 [4.6]	14.00	11.50	1800 [849.5]	56500 [16.6]	3.70	36200 [10.6]	2.60	8.20	8379621
RP1460FJ1	R802VA100521ZXA	RCF6024HTAM	57500 [16.9]	41900 [12.3]	15600 [4.6]	14.00	11.50	1800 [849.5]	56500 [16.6]	3.70	36200 [10.6]	2.60	8.20	8379576
		RCF6024STAM	57500 [16.9]	41900 [12.3]	15600 [4.6]	14.00	11.50	1800 [849.5]	56500 [16.6]	3.70	36200 [10.6]	2.60	8.20	8379622
RP1460FJ1	R802VA100521ZXB	RCF6024HTAM	57500 [16.9]	41900 [12.3]	15600 [4.6]	14.00	11.50	1800 [849.5]	56500 [16.6]	3.70	36200 [10.6]	2.60	8.20	8379577
		RCF6024STAM	57500 [16.9]	41900 [12.3]	15600 [4.6]	14.00	11.50	1800 [849.5]	56500 [16.6]	3.70	36200 [10.6]	2.60	8.20	8379623
RP1460FJ1	R802VA125524MSA	RCF6024HTAM	58000 [17.0]	42200 [12.4]	15800 [4.6]	14.00	11.50	1775 [837.7]	56000 [16.4]	3.80	35600 [10.4]	2.66	8.20	8379578
		RCF6024STAM	58000 [17.0]	42200 [12.4]	15800 [4.6]	14.00	11.50	1775 [837.7]	56000 [16.4]	3.80	35600 [10.4]	2.66	8.20	8379624
RP1460FJ1	R802VA125524MXA	RCF6024HTAM	58000 [17.0]	42200 [12.4]	15800 [4.6]	14.00	11.50	1775 [837.7]	56000 [16.4]	3.80	35600 [10.4]	2.66	8.20	8379579
		RCF6024STAM	58000 [17.0]	42200 [12.4]	15800 [4.6]	14.00	11.50	1775 [837.7]	56000 [16.4]	3.80	35600 [10.4]	2.66	8.20	8379625
RP1460FJ1	R802VA125524ZSA	RCF6024HTAM	57500 [16.9]	41500 [12.2]	16000 [4.7]	14.00	11.50	1750 [825.9]	56500 [16.6]	3.76	36000 [10.6]	2.60	8.20	8379580
		RCF6024STAM	57500 [16.9]	41500 [12.2]	16000 [4.7]	14.00	11.50	1750 [825.9]	56500 [16.6]	3.76	36000 [10.6]	2.60	8.20	8379626
RP1460FJ1	R802VA125524ZSB	RCF6024HTAM	57500 [16.9]	41500 [12.2]	16000 [4.7]	14.00	11.50	1750 [825.9]	56500 [16.6]	3.76	36000 [10.6]	2.60	8.20	8379581
		RCF6024STAM	57500 [16.9]	41500 [12.2]	16000 [4.7]	14.00	11.50	1750 [825.9]	56500 [16.6]	3.76	36000 [10.6]	2.60	8.20	8379627
RP1460FJ1	R802VA125524ZXA	RCF6024HTAM	57500 [16.9]	41500 [12.2]	16000 [4.7]	14.00	11.50	1750 [825.9]	56500 [16.6]	3.76	36000 [10.6]	2.60	8.20	8379582
		RCF6024STAM	57500 [16.9]	41500 [12.2]	16000 [4.7]	14.00	11.50	1750 [825.9]	56500 [16.6]	3.76	36000 [10.6]	2.60	8.20	8379628
RP1460FJ1	R802VA125524ZXB	RCF6024HTAM	57500 [16.9]	41500 [12.2]	16000 [4.7]	14.00	11.50	1750 [825.9]	56500 [16.6]	3.76	36000 [10.6]	2.60	8.20	8379583
		RCF6024STAM	57500 [16.9]	41500 [12.2]	16000 [4.7]	14.00	11.50	1750 [825.9]	56500 [16.6]	3.76	36000 [10.6]	2.60	8.20	8379629
RP1460FJ1	R802VB100521ZSB	RCF6024HTAM	57500 [16.9]	41900 [12.3]	15600 [4.6]	14.00	11.50	1800 [849.5]	56500 [16.6]	3.70	36200 [10.6]	2.60	8.20	8379584
		RCF6024STAM	57500 [16.9]	41900 [12.3]	15600 [4.6]	14.00	11.50	1800 [849.5]	56500 [16.6]	3.70	36200 [10.6]	2.60	8.20	8379630
RP1460FJ1	R802VB100521ZXB	RCF6024HTAM	57500 [16.9]	41900 [12.3]	15600 [4.6]	14.00	11.50	1800 [849.5]	56500 [16.6]	3.70	36200 [10.6]	2.60	8.20	8379585
		RCF6024STAM	57500 [16.9]	41900 [12.3]	15600 [4.6]	14.00	11.50	1800 [849.5]	56500 [16.6]	3.70	36200 [10.6]	2.60	8.20	8379631
RP1460FJ1	R802VB125524ZSB	RCF6024HTAM	57500 [16.9]	41500 [12.2]	16000 [4.7]	14.00	11.50	1750 [825.9]	56500 [16.6]	3.76	36000 [10.6]	2.60	8.20	8379586
		RCF6024STAM	57500 [16.9]	41500 [12.2]	16000 [4.7]	14.00	11.50	1750 [825.9]	56500 [16.6]	3.76	36000 [10.6]	2.60	8.20	8379632
RP1460FJ1	R802VB125524ZXB	RCF6024HTAM	57500 [16.9]	41500 [12.2]	16000 [4.7]	14.00	11.50	1750 [825.9]	56500 [16.6]	3.76	36000 [10.6]	2.60	8.20	8379587
		RCF6024STAM	57500 [16.9]	41500 [12.2]	16000 [4.7]	14.00	11.50	1750 [825.9]	56500 [16.6]	3.76	36000 [10.6]	2.60	8.20	8379633

[] Designates Metric Conversions

Performance Data @ AHRI Standard Conditions – Heat Pump (con't.)

R95T: 95% AFUE single-stage Constant Torque Multiphase Gas Furnace Ratings														
Outdoor Unit	Furnace	Indoor Coil	Total Capacity BTU/H [kW]	Net Sensible BTU/H [kW]	Net Latent BTU/H [kW]	SEER	EER	Indoor CFM [L/s]	47 Degree Heating Capacity BTU/H [kW]	47 Degree COP	17 Degree Heating Capacity BTU/H [kW]	47 Degree COP	Region IV HSPF	AHRI#
RP1418FJ1	R95TA0401317MSA	RCF2417STAM	18000 [5.3]	14000 [4.1]	4000 [1.2]	14.00	11.50	650 [306.8]	15800 [4.6]	3.60	9200 [2.7]	2.34	8.20	8379076
RP1424FJ1	R95TA0401317MSA	RCF2417STAM	24000 [7.0]	17900 [5.2]	6100 [1.8]	14.00	11.50	850 [401.2]	22000 [6.4]	3.66	13600 [4.0]	2.46	8.20	8379104
RP1424FJ1	R95TA0601317MSA	RCF2417STAM	24000 [7.0]	17900 [5.2]	6100 [1.8]	14.00	11.50	875 [413.0]	22200 [6.5]	3.54	13800 [4.0]	2.40	8.20	8379105
RP1424FJ1	R95TA0701317MSA	RCF2417STAM	23800 [7.0]	17700 [5.2]	6100 [1.8]	14.00	11.50	825 [389.4]	22200 [6.5]	3.60	13700 [4.0]	2.46	8.20	8379106
RP1430FJ1	R95TA0401317MSA	RCF3617STAM	28800 [8.4]	21400 [6.3]	7400 [2.2]	14.00	11.50	925 [436.6]	26600 [7.8]	3.60	16300 [4.8]	2.30	8.20	8379138
RP1430FJ1	R95TA0601317MSA	RCF3621STAM	28800 [8.4]	21500 [6.3]	7300 [2.1]	14.00	11.50	950 [448.4]	26800 [7.9]	3.66	16500 [4.8]	2.34	8.20	8379201
RP1430FJ1	R95TA0701317MSA	RCF3617STAM	29000 [8.5]	21900 [6.4]	7100 [2.1]	14.00	11.50	1025 [483.7]	27400 [8.0]	3.60	17000 [5.0]	2.34	8.20	8379139
RP1430FJ1	R95TA0701317MSA	RCF3621STAM	29000 [8.5]	21900 [6.4]	7100 [2.1]	14.00	11.50	1025 [483.7]	27400 [8.0]	3.60	17000 [5.0]	2.34	8.20	8379202
RP1430FJ1	R95TA0701317MSA	RCF3617STAM	28600 [8.4]	21200 [6.2]	7400 [2.2]	14.00	11.50	925 [436.6]	26600 [7.8]	3.50	16400 [4.8]	2.26	8.20	8379140
RP1430FJ1	R95TA0701317MSA	RCF3621STAM	28600 [8.4]	21200 [6.2]	7400 [2.2]	14.00	11.50	925 [436.6]	26600 [7.8]	3.54	16600 [4.9]	2.30	8.20	8379203
RP1436FC1	R95TA0401317MSA	RCF3617STAM	35000 [10.3]	25500 [7.5]	9500 [2.8]	14.00	11.50	1125 [530.9]	34000 [10.0]	3.54	22200 [6.5]	2.54	8.20	8378643
RP1436FC1	R95TA0401317MSA	RCF3621STAM	35200 [10.3]	25800 [7.6]	9400 [2.8]	14.00	11.50	1150 [542.7]	34200 [10.0]	3.60	22400 [6.6]	2.60	8.20	8378703
RP1436FC1	R95TA0701317MSA	RCF3617STAM	34600 [10.1]	24900 [7.3]	9700 [2.8]	14.00	11.50	1075 [507.3]	33800 [9.9]	3.46	22200 [6.5]	2.50	8.20	8378644
RP1436FC1	R95TA0701317MSA	RCF3621STAM	34800 [10.2]	25200 [7.4]	9600 [2.8]	14.00	11.50	1100 [519.1]	34000 [10.0]	3.54	22400 [6.6]	2.50	8.20	8378704
RP1436FJ1	R95TA0401317MSA	RCF3617STAM	35000 [10.3]	25500 [7.5]	9500 [2.8]	14.00	11.50	1125 [530.9]	34000 [10.0]	3.54	22200 [6.5]	2.54	8.20	8379241
RP1436FJ1	R95TA0401317MSA	RCF3621STAM	35200 [10.3]	25800 [7.6]	9400 [2.8]	14.00	11.50	1150 [542.7]	34200 [10.0]	3.60	22400 [6.6]	2.60	8.20	8379301
RP1436FJ1	R95TA0701317MSA	RCF3617STAM	34600 [10.1]	24900 [7.3]	9700 [2.8]	14.00	11.50	1075 [507.3]	33800 [9.9]	3.46	22200 [6.5]	2.50	8.20	8379242
RP1436FJ1	R95TA0701317MSA	RCF3621STAM	34800 [10.2]	25200 [7.4]	9600 [2.8]	14.00	11.50	1100 [519.1]	34000 [10.0]	3.54	22400 [6.6]	2.50	8.20	8379302
RP1442FC1	R95TA0851521MSA	RCF4821STAM	42000 [12.3]	29800 [8.7]	12200 [3.6]	14.00	11.50	1325 [625.3]	40500 [11.9]	3.70	26000 [7.6]	2.54	8.20	8378772
RP1442FC1	R95TA0851521MSA	RCF4824STAM	42000 [12.3]	29800 [8.7]	12200 [3.6]	14.00	11.50	1325 [625.3]	40500 [11.9]	3.70	26000 [7.6]	2.54	8.20	8378830
RP1442FC1	R95TA1001521MSA	RCF4821STAM	42000 [12.3]	30200 [8.9]	11800 [3.5]	14.00	11.50	1400 [660.7]	40500 [11.9]	3.66	26000 [7.6]	2.54	8.20	8378774
RP1442FC1	R95TA1001521MSA	RCF4824STAM	42000 [12.3]	30200 [8.9]	11800 [3.5]	14.00	11.50	1400 [660.7]	40500 [11.9]	3.66	26000 [7.6]	2.54	8.20	8378832
RP1442FC1	R95TA1151524MSA	RCF4824STAM	41500 [12.2]	29000 [8.5]	12500 [3.7]	14.00	11.50	1275 [601.7]	40500 [11.9]	3.70	25800 [7.6]	2.60	8.20	8378833
RP1442FJ1	R95TA0851521MSA	RCF4821STAM	42000 [12.3]	29800 [8.7]	12200 [3.6]	14.00	11.50	1325 [625.3]	40500 [11.9]	3.70	26000 [7.6]	2.54	8.20	8379365
RP1442FJ1	R95TA0851521MSA	RCF4824STAM	42000 [12.3]	29800 [8.7]	12200 [3.6]	14.00	11.50	1325 [625.3]	40500 [11.9]	3.70	26000 [7.6]	2.54	8.20	8379423
RP1442FJ1	R95TA1001521MSA	RCF4821STAM	42000 [12.3]	30200 [8.9]	11800 [3.5]	14.00	11.50	1400 [660.7]	40500 [11.9]	3.70	26000 [7.6]	2.54	8.20	8379366
RP1442FJ1	R95TA1001521MSA	RCF4824STAM	42000 [12.3]	30200 [8.9]	11800 [3.5]	14.00	11.50	1400 [660.7]	40500 [11.9]	3.70	26000 [7.6]	2.54	8.20	8379424
RP1442FJ1	R95TA1151524MSA	RCF4824STAM	41500 [12.2]	29000 [8.5]	12500 [3.7]	14.00	11.50	1275 [601.7]	40500 [11.9]	3.70	25800 [7.6]	2.60	8.20	8379426
RP1448FC1	R95TA0851521MSA	RCF4821STAM	46000 [13.5]	32600 [9.6]	13400 [3.9]	14.00	11.50	1425 [672.5]	45000 [13.2]	3.54	29400 [8.6]	2.54	8.20	8378882
RP1448FC1	R95TA0851521MSA	RCF4824STAM	46000 [13.5]	32600 [9.6]	13400 [3.9]	14.00	11.50	1425 [672.5]	45000 [13.2]	3.54	29400 [8.6]	2.54	8.20	8378940

[] Designates Metric Conversions

Performance Data @ AHRI Standard Conditions – Heat Pump (con't.)

R95T: 95% AFUE single-stage Constant Torque Multiphase Gas Furnace Ratings														
Outdoor Unit	Furnace	Indoor Coil	Total Capacity BTU/H [kW]	Net Sensible BTU/H [kW]	Net Latent BTU/H [kW]	SEER	EER	Indoor CFM [L/s]	47 Degree Heating Capacity BTU/H [kW]	47 Degree COP	17 Degree Heating Capacity BTU/H [kW]	47 Degree COP	Region IV HSPF	AHR#
RP1448FC1	R95TA0851521MSB	RCF4821STAM RCF4824STAM	46000 [13.5]	32600 [9.6]	13400 [3.9]	14.00	11.50	1425 [672.5]	45000 [13.2]	3.54	29400 [8.6]	2.54	8.20	8378883
RP1448FC1	R95TA1001521MSA	RCF4821STAM RCF4824STAM	45500 [13.3]	31800 [9.3]	13700 [4.0]	14.00	11.50	1375 [648.9]	45000 [13.2]	3.60	28800 [8.4]	2.50	8.20	8378884
RP1448FC1	R95TA1151524MSA	RCF4824STAM	45500 [13.3]	31800 [9.3]	13700 [4.0]	14.00	11.50	1375 [648.9]	45000 [13.2]	3.60	28800 [8.4]	2.50	8.20	8378942
RP1448FJ1	R95TA0851521MSA	RCF4821STAM RCF4824STAM	46000 [13.5]	32600 [9.6]	13400 [3.8]	14.00	11.50	1425 [672.5]	45000 [13.2]	3.54	29400 [8.6]	2.54	8.20	8379471
RP1448FJ1	R95TA0851521MSB	RCF4821STAM RCF4824STAM	46000 [13.5]	32600 [9.6]	13400 [3.9]	14.00	11.50	1425 [672.5]	45000 [13.2]	3.54	29400 [8.6]	2.54	8.20	8379529
RP1448FJ1	R95TA1001521MSA	RCF4821STAM RCF4824STAM	46000 [13.5]	32600 [9.6]	13400 [3.9]	14.00	11.50	1425 [672.5]	45000 [13.2]	3.54	29400 [8.6]	2.54	8.20	8379472
RP1448FJ1	R95TA1001521MSA	RCF4821STAM RCF4824STAM	45500 [13.3]	31800 [9.3]	13700 [4.0]	14.00	11.50	1375 [648.9]	45000 [13.2]	3.60	28800 [8.4]	2.50	8.20	8379530
RP1448FJ1	R95TA1151524MSA	RCF4824STAM	45500 [13.3]	31800 [9.3]	13700 [4.0]	14.00	11.50	1375 [648.9]	45000 [13.2]	3.60	28800 [8.4]	2.50	8.20	8379473
RP1448FJ1	R95TA1151524MSA	RCF4824STAM	46000 [13.5]	33000 [9.7]	13000 [3.8]	14.00	11.50	1500 [707.9]	45000 [13.2]	3.54	29600 [8.7]	2.50	8.20	8379532
RP1460FC1	R95TA1151524MSA	RCF6024HTAM	56500 [16.6]	39300 [11.5]	17200 [5.0]	14.00	11.50	1600 [755.1]	55500 [16.3]	3.66	35200 [10.3]	2.50	8.20	8379001
RP1460FJ1	R95TA1151524MSA	RCF6024HTAM	56500 [16.6]	39300 [11.5]	17200 [5.0]	14.00	11.50	1600 [755.1]	55500 [16.3]	3.66	35200 [10.3]	2.50	8.20	8379047
RP1460FJ1	R95TA1151524MSA	RCF6024STAM	56500 [16.6]	39300 [11.5]	17200 [5.0]	14.00	11.50	1600 [755.1]	55500 [16.3]	3.66	35200 [10.3]	2.50	8.20	8379588
RP1460FJ1	R95TA1151524MSA	RCF6024STAM	56500 [16.6]	39300 [11.5]	17200 [5.0]	14.00	11.50	1600 [755.1]	55500 [16.3]	3.66	35200 [10.3]	2.50	8.20	8379634

[] Designates Metric Conversions

Performance Data @ AHRI Standard Conditions – Heat Pump (con't.)

R96V: 96% AFUE 2-stage Variable Speed Multiphase Gas Furnace Ratings														
Outdoor Unit	Furnace	Indoor Coil	Total Capacity BTU/H [kW]	Net Sensible BTU/H [kW]	Net Latent BTU/H [kW]	SEER	EER	Indoor CFM [L/s]	47 Degree Heating Capacity BTU/H [kW]	47 Degree COP	17 Degree Heating Capacity BTU/H [kW]	47 Degree COP	Region IV HSPF	AHRI#
RP1418FJ1	R96VA0402317MSA	RCF2417STAM	18000 [5.3]	14000 [4.1]	4000 [1.2]	14.00	11.50	650 [306.8]	15800 [4.6]	3.60	9200 [2.7]	2.40	8.20	8379077
RP1418FJ1	R96VA0602317MSA	RCF2417STAM	18000 [5.3]	14000 [4.1]	4000 [1.2]	14.00	11.50	650 [306.8]	15800 [4.6]	3.54	9200 [2.7]	2.34	8.20	8379078
RP1418FJ1	R96VA0702317MSA	RCF2417STAM	18000 [5.3]	14000 [4.1]	4000 [1.2]	14.00	11.50	650 [306.8]	15800 [4.6]	3.60	9200 [2.7]	2.34	8.20	8379079
RP1424FJ1	R96VA0402317MSA	RCF2417STAM	24000 [7.0]	17900 [5.2]	6100 [1.8]	14.00	11.50	875 [413.0]	22200 [6.5]	3.60	13600 [4.0]	2.46	8.20	8379107
RP1424FJ1	R96VA0602317MSA	RCF2417STAM	24000 [7.0]	17900 [5.2]	6100 [1.8]	14.00	11.50	900 [424.8]	22200 [6.5]	3.54	13800 [4.0]	2.40	8.20	8379108
RP1424FJ1	R96VA0702317MSA	RCF2417STAM	23800 [7.0]	17600 [5.2]	6200 [1.8]	14.00	11.50	775 [365.8]	21800 [6.4]	3.60	13400 [3.9]	2.46	8.20	8379109
RP1430FJ1	R96VA0402317MSA	RCF3617STAM	29200 [8.6]	22100 [6.5]	7100 [2.1]	14.00	11.50	1025 [483.7]	27200 [8.0]	3.66	16800 [4.9]	2.34	8.20	8379141
RP1430FJ1	R96VA0602317MSA	RCF3621STAM	28800 [8.4]	21500 [6.3]	7300 [2.1]	14.00	11.50	950 [448.4]	26600 [7.8]	3.60	16300 [4.8]	2.30	8.20	8379204
RP1430FJ1	R96VA0702317MSA	RCF3617STAM	28800 [8.4]	21600 [6.3]	7200 [2.1]	14.00	11.50	975 [460.1]	26800 [7.9]	3.54	16600 [4.9]	2.30	8.20	8379142
RP1430FJ1	R96VA0602317MSA	RCF3621STAM	28800 [8.4]	21600 [6.3]	7200 [2.1]	14.00	11.50	975 [460.1]	26800 [7.9]	3.60	16500 [4.8]	2.30	8.20	8379205
RP1430FJ1	R96VA0702317MSA	RCF3617STAM	28800 [8.4]	21500 [6.3]	7300 [2.1]	14.00	11.50	950 [448.4]	26600 [7.8]	3.54	16400 [4.8]	2.30	8.20	8379143
RP1430FJ1	R96VA0602317MSA	RCF3621STAM	28800 [8.4]	21500 [6.3]	7300 [2.1]	14.00	11.50	950 [448.4]	26600 [7.8]	3.60	16300 [4.8]	2.30	8.20	8379206
RP1430FJ1	R96VA0852521MSB	RCF3621STAM	28800 [8.4]	21400 [6.3]	7400 [2.2]	14.00	11.50	925 [436.6]	26200 [7.7]	3.60	16100 [4.7]	2.30	8.20	8379207
RP1430FJ1	R96VA1002521MSA	RCF3621STAM	29000 [8.5]	21900 [6.4]	7100 [2.1]	14.00	11.50	1000 [471.9]	26800 [7.9]	3.66	16500 [4.8]	2.34	8.20	8379208
RP1436FC1	R96VA0402317MSA	RCF3617STAM	35000 [10.3]	25500 [7.5]	9500 [2.8]	14.00	11.50	1125 [530.9]	33800 [9.9]	3.54	22200 [6.5]	2.54	8.20	8378645
RP1436FC1	R96VA0602317MSA	RCF3621STAM	35000 [10.3]	25500 [7.5]	9500 [2.8]	14.00	11.50	1125 [530.9]	33600 [9.8]	3.54	22200 [6.5]	2.54	8.20	8378705
RP1436FC1	R96VA0702317MSA	RCF3617STAM	34800 [10.2]	25300 [7.4]	9500 [2.8]	14.00	11.50	1125 [530.9]	33800 [9.9]	3.50	22400 [6.6]	2.50	8.20	8378646
RP1436FC1	R96VA0602317MSA	RCF3621STAM	34800 [10.2]	25300 [7.4]	9500 [2.8]	14.00	11.50	1125 [530.9]	33800 [9.9]	3.50	22200 [6.5]	2.54	8.20	8378706
RP1436FC1	R96VA0702317MSA	RCF3617STAM	35000 [10.3]	25600 [7.5]	9400 [2.8]	14.00	11.50	1150 [542.7]	34000 [10.0]	3.54	22400 [6.6]	2.54	8.20	8378647
RP1436FC1	R96VA0602317MSA	RCF3621STAM	35000 [10.3]	25600 [7.5]	9400 [2.8]	14.00	11.50	1150 [542.7]	33800 [9.9]	3.60	22200 [6.5]	2.60	8.20	8378707
RP1436FC1	R96VA0852521MSB	RCF3621STAM	35400 [10.4]	26400 [7.7]	9000 [2.6]	14.00	11.50	1225 [578.1]	34000 [10.0]	3.66	22600 [6.6]	2.66	8.20	8378708
RP1436FC1	R96VA1002521MSA	RCF3621STAM	35600 [10.4]	26700 [7.8]	8900 [2.6]	14.00	11.50	1250 [589.9]	34000 [10.0]	3.66	22600 [6.6]	2.60	8.20	8378709
RP1436FJ1	R96VA0402317MSA	RCF3617STAM	35000 [10.3]	25500 [7.5]	9500 [2.8]	14.00	11.50	1125 [530.9]	33800 [9.9]	3.54	22200 [6.5]	2.54	8.20	8379243
RP1436FJ1	R96VA0602317MSA	RCF3621STAM	35000 [10.3]	25500 [7.5]	9500 [2.8]	14.00	11.50	1125 [530.9]	33600 [9.8]	3.54	22200 [6.5]	2.54	8.20	8379303
RP1436FJ1	R96VA0702317MSA	RCF3617STAM	34800 [10.2]	25300 [7.4]	9500 [2.8]	14.00	11.50	1125 [530.9]	33800 [9.9]	3.50	22400 [6.6]	2.50	8.20	8379244
RP1436FJ1	R96VA0602317MSA	RCF3621STAM	34800 [10.2]	25300 [7.4]	9500 [2.8]	14.00	11.50	1125 [530.9]	33800 [9.9]	3.50	22200 [6.5]	2.50	8.20	8379304
RP1436FJ1	R96VA0702317MSA	RCF3617STAM	35000 [10.3]	25600 [7.5]	9400 [2.8]	14.00	11.50	1150 [542.7]	34000 [10.0]	3.54	22400 [6.6]	2.54	8.20	8379245
RP1436FJ1	R96VA0602317MSA	RCF3621STAM	35000 [10.3]	25600 [7.5]	9400 [2.8]	14.00	11.50	1150 [542.7]	33800 [9.9]	3.60	22200 [6.5]	2.60	8.20	8379305
RP1436FJ1	R96VA0852521MSB	RCF3621STAM	35400 [10.4]	26400 [7.7]	9000 [2.6]	14.00	11.50	1225 [578.1]	34000 [10.0]	3.66	22600 [6.6]	2.66	8.20	8379306
RP1436FJ1	R96VA1002521MSA	RCF3621STAM	35600 [10.4]	26700 [7.8]	8900 [2.6]	14.00	11.50	1250 [589.9]	34000 [10.0]	3.66	22600 [6.6]	2.60	8.20	8379307
RP1442FC1	R96VA0852521MSB	RCF4821STAM	41500 [12.2]	28800 [8.4]	12700 [3.7]	14.00	11.50	1225 [578.1]	39000 [11.4]	3.66	25200 [7.4]	2.54	8.20	8378775
RP1442FC1	R96VA0602317MSA	RCF4824STAM	41500 [12.2]	28800 [8.4]	12700 [3.7]	14.00	11.50	1225 [578.1]	39000 [11.4]	3.66	25200 [7.4]	2.54	8.20	8378834
RP1442FC1	R96VA1002521MSA	RCF4821STAM	41500 [12.2]	28900 [8.5]	12600 [3.7]	14.00	11.50	1250 [589.9]	39500 [11.6]	3.70	25200 [7.4]	2.54	8.20	8378776
RP1442FC1	R96VA0602317MSA	RCF4824STAM	41500 [12.2]	28900 [8.5]	12600 [3.7]	14.00	11.50	1250 [589.9]	39500 [11.6]	3.70	25200 [7.4]	2.54	8.20	8378835

[] Designates Metric Conversions

Performance Data @ AHRI Standard Conditions – Heat Pump (con't.)

R96V: 96% AFUE 2-stage Variable Speed Multiphase Gas Furnace Ratings														
Outdoor Unit	Furnace	Indoor Coil	Total Capacity BTU/H [kW]	Net Sensible BTU/H [kW]	Net Latent BTU/H [kW]	SEER	EER	Indoor CFM [L/s]	47 Degree Heating Capacity BTU/H [kW]	47 Degree COP	17 Degree Heating Capacity BTU/H [kW]	47 Degree COP	Region IV HSPF	AHR#
RP1442FC1	R96VA1152524MSA	RCF4824STAM	42000 [12.3]	30100 [8.8]	11900 [3.5]	14.00	11.50	1400 [660.7]	40000 [11.7]	3.76	25600 [7.5]	2.60	8.20	8378836
RP1442FJ1	R96VA0852521MSB	RCF4821STAM	41500 [12.2]	28800 [8.4]	12700 [3.7]	14.00	11.50	1225 [578.1]	39000 [11.4]	3.66	25200 [7.4]	2.54	8.20	8379368
RP1442FJ1	R96VA1002521MSA	RCF4821STAM	41500 [12.2]	28900 [8.5]	12600 [3.7]	14.00	11.50	1250 [589.9]	39500 [11.6]	3.70	25200 [7.4]	2.54	8.20	8379369
RP1442FJ1	R96VA1152524MSA	RCF4824STAM	41500 [12.2]	28900 [8.5]	12600 [3.7]	14.00	11.50	1250 [589.9]	39500 [11.6]	3.70	25200 [7.4]	2.54	8.20	8379428
RP1448FC1	R96VA0852521MSB	RCF4821STAM	42000 [12.3]	30100 [8.8]	11900 [3.5]	14.00	11.50	1400 [660.7]	40000 [11.7]	3.76	25600 [7.5]	2.60	8.20	8379429
RP1448FC1	R96VA0852521MSB	RCF4821STAM	45500 [13.3]	31600 [9.3]	13900 [4.1]	14.00	11.50	1350 [637.1]	43500 [12.7]	3.54	28400 [8.3]	2.50	8.20	8378885
RP1448FC1	R96VA1002521MSA	RCF4824STAM	45500 [13.3]	31600 [9.3]	13900 [4.1]	14.00	11.50	1350 [637.1]	43500 [12.7]	3.54	28400 [8.3]	2.50	8.20	8378944
RP1448FC1	R96VA1152524MSA	RCF4824STAM	46000 [13.5]	32900 [9.6]	13100 [3.8]	14.00	11.50	1475 [696.1]	45000 [13.2]	3.66	29000 [8.5]	2.54	8.20	8378886
RP1448FC1	R96VA1152524MSA	RCF4824STAM	46000 [13.5]	32900 [9.6]	13100 [3.8]	14.00	11.50	1475 [696.1]	45000 [13.2]	3.66	29000 [8.5]	2.54	8.20	8378945
RP1448FC1	R96VA0852521MSB	RCF4821STAM	46000 [13.5]	32400 [9.5]	13600 [4.0]	14.00	11.50	1400 [660.7]	44000 [12.9]	3.66	28400 [8.3]	2.54	8.20	8378946
RP1448FC1	R96VA0852521MSB	RCF4824STAM	45500 [13.3]	31600 [9.3]	13900 [4.1]	14.00	11.50	1350 [637.1]	43500 [12.7]	3.54	28400 [8.3]	2.50	8.20	8379474
RP1448FC1	R96VA1002521MSA	RCF4824STAM	45500 [13.3]	31600 [9.3]	13900 [4.1]	14.00	11.50	1350 [637.1]	43500 [12.7]	3.54	28400 [8.3]	2.50	8.20	8379533
RP1448FC1	R96VA1152524MSA	RCF4821STAM	46000 [13.5]	32900 [9.6]	13100 [3.8]	14.00	11.50	1475 [696.1]	45000 [13.2]	3.66	29000 [8.5]	2.54	8.20	8379475
RP1460FC1	R96VA1152524MSA	RCF6024STAM	46000 [13.5]	32400 [9.5]	13600 [4.0]	14.00	11.50	1400 [660.7]	44000 [12.9]	3.66	28400 [8.3]	2.54	8.20	8379535
RP1460FC1	R96VA1002521MSA	RCF6024HTAM	56500 [16.6]	39500 [11.6]	17000 [5.0]	14.00	11.50	1625 [766.9]	55000 [16.1]	3.66	35200 [10.3]	2.54	8.20	8379002
RP1460FC1	R96VA1152524MSA	RCF6024STAM	56500 [16.6]	39500 [11.6]	17000 [5.0]	14.00	11.50	1625 [766.9]	55000 [16.1]	3.66	35200 [10.3]	2.54	8.20	8379048
RP1460FC1	R96VA1152524MSA	RCF6024HTAM	57500 [16.9]	41300 [12.1]	16200 [4.7]	14.00	11.50	1725 [814.1]	56000 [16.4]	3.76	35600 [10.4]	2.60	8.20	8379003
RP1460FC1	R96VA1152524MSA	RCF6024STAM	57500 [16.9]	41300 [12.1]	16200 [4.7]	14.00	11.50	1725 [814.1]	56000 [16.4]	3.76	35600 [10.4]	2.60	8.20	8379049
RP1460FJ1	R96VA1002521MSA	RCF6024HTAM	56500 [16.6]	39500 [11.6]	17000 [5.0]	14.00	11.50	1625 [766.9]	55000 [16.1]	3.66	35200 [10.3]	2.54	8.20	8379589
RP1460FJ1	R96VA1152524MSA	RCF6024STAM	56500 [16.6]	39500 [11.6]	17000 [5.0]	14.00	11.50	1625 [766.9]	55000 [16.1]	3.66	35200 [10.3]	2.54	8.20	8379635
RP1460FJ1	R96VA1152524MSA	RCF6024HTAM	57500 [16.9]	41300 [12.1]	16200 [4.7]	14.00	11.50	1725 [814.1]	56000 [16.4]	3.76	35600 [10.4]	2.60	8.20	8379590
RP1460FJ1	R96VA1152524MSA	RCF6024STAM	57500 [16.9]	41300 [12.1]	16200 [4.7]	14.00	11.50	1725 [814.1]	56000 [16.4]	3.76	35600 [10.4]	2.60	8.20	8379636

[] Designates Metric Conversions

Performance Data @ AHRI Standard Conditions – Heat Pump (con't.)

Air Handler Ratings													
Outdoor Unit	Air Handler	Total Capacity BTU/H [kW]	Net Sensible BTU/H [kW]	Net Latent BTU/H [kW]	SEER	EER	Indoor CFM [L/s]	47 Degree Heating Capacity BTU/H [kW]	47 Degree COP	17 Degree Heating Capacity BTU/H [kW]	47 Degree COP	Region IV HSPF	AHRI#
RP1418FJ1	RF1T2421MTAN	18000 [5.3]	14400 [4.2]	3600 [1.1]	14.50	12.00	625 [295.0]	16400 [4.8]	3.66	9500 [2.8]	2.46	8.50	8378614
	RBHP-17	17800 [5.2]	13300 [3.9]	4500 [1.3]	14.50	12.00	600 [283.2]	16000 [4.7]	3.70	9300 [2.7]	2.40	8.50	8378613
	RH1P1817STAN	17900 [5.2]	13700 [4.0]	4200 [1.2]	14.00	11.50	600 [283.2]	15800 [4.6]	3.30	9400 [2.8]	2.20	8.20	8379084
RP1424FJ1	RH1V2417STAN	18000 [5.3]	14000 [4.1]	4000 [1.2]	14.50	12.00	650 [306.8]	15700 [4.6]	3.66	9100 [2.7]	2.40	8.50	8379085
	RF1T2421MTAN	23600 [6.9]	18300 [5.4]	5300 [1.6]	14.50	12.00	775 [365.8]	22000 [6.4]	3.60	13300 [3.9]	2.40	8.50	8378617
	RBHP-17	22800 [6.7]	16400 [4.8]	6400 [1.9]	14.50	12.00	800 [377.6]	20600 [6.0]	3.60	12300 [3.6]	2.34	8.50	8378616
RP1430FJ1	RH1P2417STAN	23600 [6.9]	17500 [5.1]	6100 [1.8]	14.00	11.50	800 [377.6]	22400 [6.6]	3.50	14000 [4.1]	2.34	8.20	8379116
	RH1V2417STAN	24000 [7.0]	17900 [5.2]	6100 [1.8]	14.50	12.00	850 [401.2]	22000 [6.4]	3.70	13500 [4.0]	2.50	8.50	8379117
	RF1T3624MTAN	28800 [8.4]	22100 [6.5]	6700 [2.0]	14.50	12.00	975 [460.1]	28400 [8.3]	3.60	17100 [5.0]	2.20	8.50	8378620
RP1436FC1	RBHP-21	28800 [8.4]	21100 [6.2]	7700 [2.3]	14.50	12.00	1025 [483.7]	27000 [7.9]	3.70	16900 [5.0]	2.46	8.50	8378619
	RH1P3017STAN	28400 [8.3]	21100 [6.2]	7300 [2.1]	14.00	11.50	950 [448.4]	27200 [8.0]	3.50	16900 [5.0]	2.26	8.20	8379219
	RH1V3617STAN	29400 [8.6]	22300 [6.5]	7100 [2.1]	14.50	12.00	1025 [483.7]	27000 [7.9]	3.76	16500 [4.8]	2.40	8.50	8379220
RP1436FJ1	RF1T3624MTAN	35200 [10.3]	27900 [8.2]	7300 [2.1]	14.50	12.00	1200 [566.3]	37000 [10.8]	3.70	23200 [6.8]	2.54	8.50	8378720
	RBHP-21	34800 [10.2]	24700 [7.2]	10100 [3.0]	14.50	12.00	1250 [589.9]	34600 [10.1]	3.70	22000 [6.4]	2.54	8.50	8378622
	RH1V3617STAN	35400 [10.4]	26200 [7.7]	9200 [2.7]	14.50	12.00	1200 [566.3]	34000 [10.0]	3.66	22400 [6.6]	2.66	8.50	8378722
RP1436FJ1	RF1T3624MTAN	35200 [10.3]	27900 [8.2]	7300 [2.1]	14.50	12.00	1200 [566.3]	37000 [10.8]	3.70	23200 [6.8]	2.54	8.50	8378724
	RBHP-21	34800 [10.2]	24700 [7.2]	10100 [3.0]	14.50	12.00	1250 [589.9]	34600 [10.1]	3.70	22000 [6.4]	2.54	8.50	8378723
	RH1V3617STAN	35400 [10.4]	26200 [7.7]	9200 [2.7]	14.50	12.00	1200 [566.3]	34000 [10.0]	3.66	22400 [6.6]	2.66	8.50	8379318
RP1442FC1	RH1P4221STAN	41500 [12.2]	30700 [9.0]	10800 [3.2]	14.00	11.50	1400 [660.7]	41000 [12.0]	3.70	26800 [7.9]	2.60	8.20	8378842
	RH1T4824STAN	42000 [12.3]	30100 [8.8]	11900 [3.5]	14.50	12.00	1550 [731.5]	40000 [11.7]	3.76	25800 [7.6]	2.60	8.50	8378844
	RH1V4821STAN	42000 [12.3]	30100 [8.8]	11900 [3.5]	14.50	12.00	1400 [660.7]	40000 [11.7]	3.76	25600 [7.5]	2.60	8.50	8378845
RP1442FJ1	RH1P4221STAN	41500 [12.2]	30700 [9.0]	10800 [3.2]	14.00	11.50	1400 [660.7]	41000 [12.0]	3.70	26800 [7.9]	2.60	8.20	8378846
	RH1T4824STAN	42000 [12.3]	30100 [8.8]	11900 [3.5]	14.50	12.00	1550 [731.5]	40000 [11.7]	3.76	25800 [7.6]	2.60	8.50	8379435
	RH1V4821STAN	42000 [12.3]	30100 [8.8]	11900 [3.5]	14.50	12.00	1400 [660.7]	40000 [11.7]	3.76	25600 [7.5]	2.60	8.50	8379436
RP1448FC1	RH1P4821STAN	47000 [13.8]	34100 [10.0]	12900 [3.8]	14.00	11.50	1500 [707.9]	44500 [13.0]	3.66	29000 [8.5]	2.60	8.20	8378954
	RH1V4821STAN	46000 [13.5]	32400 [9.5]	13600 [4.0]	14.50	12.00	1400 [660.7]	44000 [12.9]	3.66	28400 [8.3]	2.54	8.50	8378956
	RH1V4824STAN	47500 [13.9]	35400 [10.4]	12100 [3.5]	14.50	12.00	1625 [766.9]	44500 [13.0]	3.70	28800 [8.4]	2.60	8.50	8378957
RP1448FJ1	RH1P4821STAN	47000 [13.8]	34100 [10.0]	12900 [3.8]	14.00	11.50	1500 [707.9]	44500 [13.0]	3.66	29000 [8.5]	2.60	8.20	8379543
	RH1V4821STAN	46000 [13.5]	32400 [9.5]	13600 [4.0]	14.50	12.00	1400 [660.7]	44000 [12.9]	3.66	28400 [8.3]	2.54	8.50	8379544
	RH1V4824STAN	47500 [13.9]	35400 [10.4]	12100 [3.5]	14.50	12.00	1625 [766.9]	44500 [13.0]	3.70	28800 [8.4]	2.60	8.50	8379545
RP1460FC1	RH2T6024STAN	57000 [16.7]	39800 [11.7]	17200 [5.0]	14.50	12.00	1600 [755.1]	54500 [16.0]	3.76	34400 [10.1]	2.60	8.50	8379055
	RH1V6024STAN	58000 [17.0]	42400 [12.4]	15600 [4.6]	14.50	12.00	1800 [849.5]	56000 [16.4]	3.84	35600 [10.4]	2.70	8.50	8379054
	RH2V6024HTAC	57500 [16.9]	41300 [12.1]	16200 [4.7]	14.50	12.00	1725 [814.1]	55500 [16.3]	3.80	35200 [10.3]	2.66	8.50	8379056
RP1460FJ1	RH2T6024STAN	57000 [16.7]	39800 [11.7]	17200 [5.0]	14.50	12.00	1600 [755.1]	54500 [16.0]	3.76	34400 [10.1]	2.60	8.50	8379061
	RH1V6024STAN	58000 [17.0]	42400 [12.4]	15600 [4.6]	14.50	12.00	1800 [849.5]	56000 [16.4]	3.84	35600 [10.4]	2.70	8.50	8379060
	RH2V6024HTAC	57500 [16.9]	41300 [12.1]	16200 [4.7]	14.50	12.00	1725 [814.1]	55500 [16.3]	3.80	35200 [10.3]	2.66	8.50	8379062

[] Designates Metric Conversions

Performance Data @ AHRI Standard Conditions – Heat Pump (con't.)

Outdoor Unit	Furnace	Indoor Coil	Total Capacity BTU/H [kW]	Net Sensible BTU/H [kW]	Net Latent BTU/H [kW]	SEER	EER	Indoor CFM [L/s]	47 Degree Heating Capacity BTU/H [kW]	47 Degree COP	17 Degree Heating Capacity BTU/H [kW]	47 Degree Heating Capacity BTU/H [kW]	47 Degree COP	Region IV HSPF	AHR#
RP1418FJ1	RW1T04A2414NAA	RCF2417STAM	18000 [5.3]	14000 [4.1]	4000 [1.2]	14.00	11.50	650 [306.8]	15800 [4.6]	3.60	9200 [2.7]	15800 [4.6]	2.34	8.20	8443937
RP1424FJ1	RW1T04A2414NAA	RCF2417STAM	24000 [7.0]	17900 [5.2]	6100 [1.8]	14.00	11.50	800 [377.6]	22200 [6.5]	3.60	13600 [4.0]	22200 [6.5]	2.46	8.20	8443938
RP1424FJ1	RW1T06A3617NAA	RCF2417STAM	24000 [7.0]	17900 [5.2]	6100 [1.8]	14.00	11.50	850 [401.2]	22200 [6.5]	3.60	13700 [4.0]	22200 [6.5]	2.46	8.20	8443939
RP1430FJ1	RW1T08A4821NAA	RCF3621STAM	29200 [8.6]	22300 [6.5]	6900 [2.0]	14.00	11.50	1050 [495.5]	27200 [8.0]	3.66	16900 [5.0]	27200 [8.0]	2.34	8.20	8443940
RP1442FC1	RW1T06A3617NAA	RCF4821STAM	41500 [12.2]	28900 [8.5]	12600 [3.7]	14.00	11.50	1250 [589.9]	40000 [11.7]	3.70	25400 [7.4]	40000 [11.7]	2.54	8.20	8443947
RP1442FC1	RW1T08A4821NAA	RCF4821STAM	41500 [12.2]	28800 [8.4]	12700 [3.7]	14.00	11.50	1225 [578.1]	39500 [11.6]	3.70	25400 [7.4]	39500 [11.6]	2.54	8.20	8443948
RP1442FC1	RW1T08A4821NAA	RCF4824STAM	41500 [12.2]	28800 [8.4]	12700 [3.7]	14.00	11.50	1225 [578.1]	39500 [11.6]	3.70	25400 [7.4]	39500 [11.6]	2.54	8.20	8443949
RP1442FC1	RW1T10A6024NAA	RCF4824STAM	42000 [12.3]	30100 [8.8]	11900 [3.5]	14.00	11.50	1500 [707.9]	40500 [11.9]	3.66	26200 [7.7]	40500 [11.9]	2.54	8.20	8443950
RP1442FJ1	RW1T06A3617NAA	RCF4821STAM	41500 [12.2]	28900 [8.5]	12600 [3.7]	14.00	11.50	1250 [589.9]	40000 [11.7]	3.70	25400 [7.4]	40000 [11.7]	2.54	8.20	8443951
RP1442FJ1	RW1T08A4821NAA	RCF4821STAM	41500 [12.2]	28800 [8.4]	12700 [3.7]	14.00	11.50	1225 [578.1]	39500 [11.6]	3.70	25400 [7.4]	39500 [11.6]	2.54	8.20	8443952
RP1442FJ1	RW1T08A4821NAA	RCF4824STAM	41500 [12.2]	28800 [8.4]	12700 [3.7]	14.00	11.50	1225 [578.1]	39500 [11.6]	3.70	25400 [7.4]	39500 [11.6]	2.54	8.20	8443953
RP1442FJ1	RW1T10A6024NAA	RCF4824STAM	42000 [12.3]	30100 [8.8]	11900 [3.5]	14.00	11.50	1500 [707.9]	40500 [11.9]	3.66	26200 [7.7]	40500 [11.9]	2.54	8.20	8443954
RP1448FC1	RW1T08A4821NAA	RCF4821STAM	46500 [13.6]	34000 [10.0]	12500 [3.7]	14.00	11.50	1575 [743.3]	45500 [13.3]	3.50	29800 [8.7]	45500 [13.3]	2.50	8.20	8443955
RP1448FC1	RW1T10A6024NAA	RCF4824STAM	46500 [13.6]	34000 [10.0]	12500 [3.7]	14.00	11.50	1575 [743.3]	45500 [13.3]	3.50	29800 [8.7]	45500 [13.3]	2.50	8.20	8443956
RP1448FJ1	RW1T08A4821NAA	RCF4824STAM	46500 [13.6]	33500 [9.8]	13000 [3.8]	14.00	11.50	1500 [707.9]	45000 [13.2]	3.60	29200 [8.6]	45000 [13.2]	2.54	8.20	8443957
RP1448FJ1	RW1T08A4821NAA	RCF4821STAM	46500 [13.6]	34000 [10.0]	12500 [3.7]	14.00	11.50	1575 [743.3]	45500 [13.3]	3.50	29800 [8.7]	45500 [13.3]	2.50	8.20	8443958
RP1448FJ1	RW1T10A6024NAA	RCF4824STAM	46500 [13.6]	34000 [10.0]	12500 [3.7]	14.00	11.50	1575 [743.3]	45500 [13.3]	3.50	29800 [8.7]	45500 [13.3]	2.50	8.20	8443959
RP1460FC1	RW1T08A4821NAA	RCF6024HTAM	56500 [16.6]	39300 [11.5]	17200 [5.0]	14.00	11.50	1600 [755.1]	55500 [16.3]	3.66	35200 [10.3]	55500 [16.3]	2.54	8.20	8443961
RP1460FC1	RW1T08A4821NAA	RCF6024STAM	56500 [16.6]	39300 [11.5]	17200 [5.0]	14.00	11.50	1600 [755.1]	55500 [16.3]	3.66	35200 [10.3]	55500 [16.3]	2.54	8.20	8443963
RP1460FC1	RW1T10A6024NAA	RCF6024HTAM	57000 [16.7]	40800 [12.0]	16200 [4.7]	14.00	11.50	1725 [814.1]	56500 [16.6]	3.76	35800 [10.5]	56500 [16.6]	2.60	8.20	8443962
RP1460FC1	RW1T10A6024NAA	RCF6024STAM	57000 [16.7]	40800 [12.0]	16200 [4.7]	14.00	11.50	1725 [814.1]	56500 [16.6]	3.76	35800 [10.5]	56500 [16.6]	2.60	8.20	8443964
RP1460FJ1	RW1T08A4821NAA	RCF6024HTAM	56500 [16.6]	39300 [11.5]	17200 [5.0]	14.00	11.50	1600 [755.1]	55500 [16.3]	3.66	35200 [10.3]	55500 [16.3]	2.54	8.20	8443965
RP1460FJ1	RW1T08A4821NAA	RCF6024STAM	56500 [16.6]	39300 [11.5]	17200 [5.0]	14.00	11.50	1600 [755.1]	55500 [16.3]	3.66	35200 [10.3]	55500 [16.3]	2.54	8.20	8443967
RP1460FJ1	RW1T10A6024NAA	RCF6024HTAM	57000 [16.7]	40800 [12.0]	16200 [4.7]	14.00	11.50	1725 [814.1]	56500 [16.6]	3.76	35800 [10.5]	56500 [16.6]	2.60	8.20	8443966
RP1460FJ1	RW1T10A6024NAA	RCF6024STAM	57000 [16.7]	40800 [12.0]	16200 [4.7]	14.00	11.50	1725 [814.1]	56500 [16.6]	3.76	35800 [10.5]	56500 [16.6]	2.60	8.20	8443968

[] Designates Metric Conversions

GUIDE SPECIFICATIONS

General

System Description

Outdoor-mounted, air-cooled, split-system heat pump unit suitable for ground or rooftop installation. Unit consists of a hermetic compressor, composite basepan, an air-cooled coil, propeller-type condenser fan, suction and liquid line service valve, and a control box. Unit will discharge supply air upward as shown on contract drawings. Unit will be used in a refrigeration circuit to match up to a coil unit.

Quality Assurance

- Unit will be rated in accordance with the latest edition of AHRI Standard 210.
- Unit will be certified for capacity and efficiency, and listed in the latest AHRI directory.
- Unit construction will comply with latest edition of ANSI/ASHRAE and with NEC.
- Unit will be constructed in accordance with UL standards and will carry the UL label of approval. Unit will have c-UL-us approval.
- Unit cabinet will be capable of withstanding ASTM B117 1000-hr salt spray test.
- Air-cooled condenser coils will be leak tested at 150 psig and pressure tested at 550 psig.
- Unit constructed in ISO9001 approved facility.

Delivery, Storage, and Handling

- Unit will be shipped as single package only and is stored and handled per unit manufacturer's recommendations.

Warranty (for inclusion by specifying engineer) – U.S. and Canada only.

Products

Equipment

Factory assembled, single piece, air-cooled heat pump unit. Contained within the unit enclosure is all factory wiring, piping, controls, compressor, refrigerant charge R-410A, and special features required prior to field start-up.

Unit Cabinet

- Unit cabinet will be constructed of galvanized steel, bonderized, and coated with a powder coat paint.
- All units constructed with louver coil protection and corner post. Louver can be removed by removing one fastener per louver panel.

AIR-COOLED, SPLIT-SYSTEM HEAT PUMP RP14**F

1-1/2 TO 5 NOMINAL TONS

Fans

- Condenser fan will be direct-drive propeller type, discharging air upward.
- Condenser fan motors will be totally enclosed, 1-phase type with class B insulation and permanently lubricated bearings. Shafts will be corrosion resistant.
- Fan blades will be statically and dynamically balanced.
- Condenser fan openings will be equipped with coated steel wire safety guards.

Compressor

- Compressor will be hermetically sealed.
- Compressor will be mounted on rubber vibration isolators.

Condenser Coil

- Condenser coil will be air cooled.
- Coil will be constructed of aluminum fins mechanically bonded to copper tubes.

Refrigeration Components

- Refrigeration circuit components will include liquid-line shutoff valve with sweat connections, vapor-line shutoff valve with sweat connections, system charge of R-410A refrigerant, and compressor oil.
- Unit will be equipped with filter drier for R-410A refrigerant for field installation.

Operating Characteristics

- The capacity of the unit will meet or exceed _____ Btuh at a suction temperature of _____ °F/°C. The power consumption at full load will not exceed _____ kW.
- Combination of the unit and the evaporator or fan coil unit will have a total net cooling capacity of _____ Btuh or greater at conditions of _____ CFM entering air temperature at the evaporator at _____ °F/°C wet bulb and _____ °F/°C dry bulb, and air entering the unit at _____ °F/°C.
- The system will have a SEER of _____ Btuh/watt or greater at DOE conditions.

Electrical Requirements

- Nominal unit electrical characteristics will be _____ v, single phase, 60 hz. The unit will be capable of satisfactory operation within voltage limits of _____ v to _____ v.
- Nominal unit electrical characteristics will be _____ v, three phase, 60 hz. The unit will be capable of satisfactory operation within voltage limits of _____ v to _____ v.
- Unit electrical power will be single point connection.
- Control circuit will be 24v.

Special Features

- Refer to section of this literature identifying accessories and descriptions for specific features and available enhancements.

GENERAL TERMS OF LIMITED WARRANTY*

Ruud will furnish a replacement for any part of this product which fails in normal use and service within the applicable period stated, in accordance with the terms of the limited warranty.

*For complete details of the Limited and Conditional Warranties, including applicable terms and conditions, contact your local contractor or the Manufacturer for a copy of the product warranty certificate.

Conditional Parts
(Registration Required)Ten (10) Years



In keeping with its policy of continuous progress and product improvement, Ruud reserves the right to make changes without notice.

Ruud Heating, Cooling & Water Heating • P.O. Box 17010
Fort Smith, Arkansas 72917 • www.ruud.com

Ruud Canada • 125 Edgeware Road, Unit 1
Brampton, Ontario • L6Y 0P5

RELY ON RUUD.[™]

PRINTED IN U.S.A. 9/15 QG FORM NO. P22-810