

RESIDENTIAL GAS TANKLESS CONDENSING HIGH EFFICIENCY



ENERGY STAR® Qualified

Condensing Technology Provides 0.95 Energy Factor

Ultra-Low NOx Emissions

- Complies with SCAQMD 1146.2 NOx emission requirements of 14 ng/J or 20 PPM.

Maximum Flow Rates up to 10.0 GPM

Heat Exchanger

- Primary heat exchanger of the ATI/ATO-540 is constructed of a commercial-grade copper that is more resilient to erosion. Copper is 25x better at heat transfer than stainless steel thus stabilizing outgoing water temperature quicker and reducing pressure drop across the heat exchanger.
- Secondary heat exchanger is made of marine-grade 316L stainless steel to protect against corrosion.

Indoor Models

- Include integrated temperature controls and advanced diagnostics to simplify troubleshooting.
- Include factory-installed power cords

Outdoor Models

- Include a wall mount temperature remote controller and advanced diagnostics to simplify troubleshooting.

Common Vent Indoor Models up to 8 Units

540H

- Can be used in residential and commercial applications
- Easy-link up to 4 heaters.
- Multi-link up to 20 heaters.

Safety Features

- Air-Fuel Ratio (AFR) Sensor.
- Exhaust & Water Temperature Safety Control.
- Overheat Cut-off Fuse.

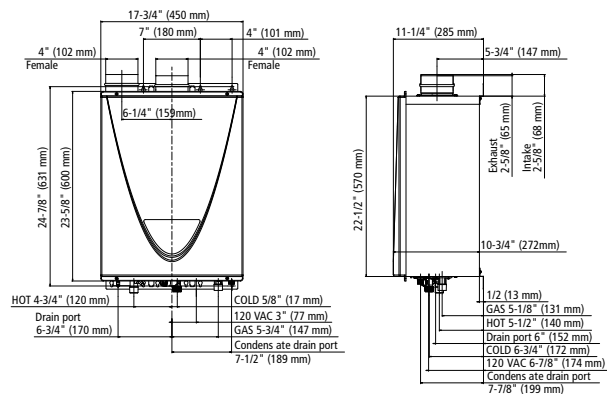
Internal Freeze Protection System

Power Vent or Power Direct Vent Design

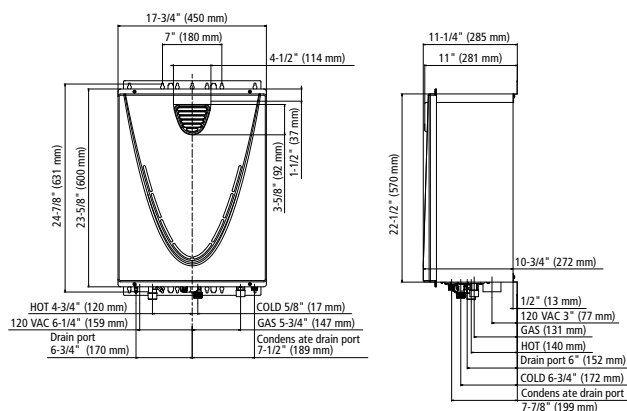
Warranty

- 15-year limited warranty on heat exchanger in residential applications.
- 10-year limited warranty on heat exchanger in commercial applications.
- 5-year limited warranty on all parts.

INDOOR MODEL



OUTDOOR MODEL



ANSI Z21.10.3 CSA 4.3

Model Number*	Type	Maximum BTU/H	Inlet Gas Pressure		Energy Factor (EF)	Hot/Cold Connections	Gas Connection
			Minimum in. W.C.	Maximum in. W.C.			
Indoor Models							
ATI-240H-N	Natural	160,000	5.0	10.5	0.95	3/4" NPT	3/4" NPT
ATI-340H-N	Natural	180,000	5.0	10.5	0.95	3/4" NPT	3/4" NPT
ATI-540H-N	Natural	199,000	5.0	10.5	0.95	3/4" NPT	3/4" NPT

Model Number*	Type	Sizing Chart (Number of Showers)		Clearance (Inches)				
		Cold Climate**	Warm Climate***	Top	Bottom	Side	Front	Back
Indoor Models								
ATI-240H-N	Natural	2	3	12	12	2	4	0.5
ATI-340H-N	Natural	2.5	3.5	12	12	2	4	0.5
ATI-540H-N	Natural	3	4	12	12	2	4	0.5

*For propane models, change "N" to "P" in the model number (example:ATI-240H-P)
For outdoor models change "I" to "O" in the model number (example:ATQ-240-N).

**Cold climate represents 70°F temperature rise

***Warm climate represents 50°F temperature rise