

## Residential Damper Atmospheric Vent Gas Water Heater



Photo is of  
RG2D40S6N

### FEATURING:



### The Damper FVIR Defender Safety System<sup>®</sup> Models Feature:

- **ENERGY STAR<sup>®</sup> Qualified**—Some models meet or exceed requirements for ENERGY STAR<sup>®</sup> per the latest ENERGY STAR<sup>®</sup> criteria revision, as well as most utility rebate programs.
- **Bradford White ICON System<sup>™</sup>**—Intelligent gas control with spark to pilot ignition system eliminates the constant burning pilot. This results in savings of pilot gas during standby periods (120 VAC).
  - **Enhanced Performance**—Proprietary algorithms provide enhanced First Hour Rating and tighter temperature differential.
  - **Advanced Temperature Control System**—Microprocessor constantly monitors and controls burner operation to maintain consistent and accurate water temperature levels.
  - **Intelligent Diagnostics**—An exclusive green LED light prompts the installer during start-up and provides ten different diagnostic codes to assist in troubleshooting.
  - **Pilot On Indication**—Flashing green LED provides positive indication that pilot is on.
  - **Separate Immersed Thermowell**—High-strength advanced polymer composite thermowell provides isolation between electric temperature sensor and surrounding water. No need to drain the tank when removing gas valve.
- **Automatic Flue Damper**—Reduces standby heat loss, resulting in less gas consumption, higher energy factor ratings, and improved overall efficiency.
  - Ten Foot Power Cord—Included (120 VAC).
- **Advanced ScreenLok<sup>®</sup> Technology Flame Arrestor Design**—Flame arrestor is designed to prevent ignition of flammable vapor outside of the water heater.
- **Flammable Vapor Sensor**—Electronic sensor prevents burner operation if flammable vapors are detected.
- **Maintenance-Free**—No regular cleaning of air inlet openings or flame arrestor is required under normal conditions.
- **Sight Window**—Offers a view into the combustion chamber to observe the operation of the pilot and burner.
- **Factory-Installed Hydrojet<sup>®</sup> Total Performance System**—Sediment reducing device that also increases first hour rating of hot water while minimizing temperature build-up in tank.
- **Vitraglas<sup>®</sup> Lining**—An exclusively engineered enamel formula that provides superior tank protection from the highly corrosive effects of hot water. This formula (Vitraglas<sup>®</sup>) is fused to the steel surface by firing at a temperature of over 1600°F (871°C).
- **Insulation System**—Non-CFC foam covers the sides and top of the tank, reducing heat loss. This results in less energy consumption, improved efficiencies, and jacket rigidity.
- **Pedestal Base.**
- **Water Connections**—3/4" (19mm) NPT factory-installed true dielectric fittings extend water heater life and simplify water line connections.
- **Factory-Installed Heat Traps**—Design incorporates a flexible disk that reduces heat loss in piping and eliminates the potential for noise generation.
- **Protective Magnesium Anode Rod.**
- **3x4 "Snap Lock" Draft Diverter**—Allows either 3" (76mm) or 4" (102mm) vent connections.
- **T&P Relief Valve**—Installed.
- **Low Restrictive Brass Drain Valve**—Durable tamper proof design.
- **NOx Emissions**—Less than 40 ng/J.

### 6 or 10-Year Limited Tank Warranties / 6 or 10-Year Limited Warranty on Component Parts.

For more information on warranty, please visit [www.bradfordwhite.com](http://www.bradfordwhite.com)

For products installed in USA, Canada, and Puerto Rico. Some states do not allow limitations on warranties. See complete copy of the warranty included with the heater.

# Residential Damper Atmospheric Vent Gas Water Heater

## Damper Models

NONATURAL GAS AND LIQUID PROPANE GAS

Meet or exceed ASHRAE 90.1b (current standard) C.E.C. Listed  
80% Recovery Efficiency

Model Number	Nominal Gal. Capacity		DOE Rated Storage Volume (Gal.)	BTU/Hr. Input	LP BTU/Hr. Input	First Hour Rating (Gal.)	Uniform Energy Factor	Recovery at 90°F Rise*				Model Number	Nominal Liter Capacity	DOE Rated Storage Volume (Liters)	kW Input	LP kW Input	First Hour Rating (Liters)	Uniform Energy Factor	Recovery at 50°C Rise*	
	U.S. Gal.	Imp. Gal.						U.S. GPH	Imp. GPH	U.S. GPH	Imp. GPH								U.S. Liters/Hour	LP Liters/Hour
RG1D30T6N	30	25	28	32,000	31,000	53	0.60	34	28	33	28	RG1D30T6N	114	106	9.4	9.1	201	0.60	129	125
RG1D40S6N	40	35	38	40,000	38,000	67	0.59	43	36	41	34	RG1D40S6N	151	144	11.7	11.1	254	0.59	163	155
RG1D40T6N	40	35	38	40,000	38,000	65	0.58	43	36	41	34	RG1D40T6N	151	144	11.7	11.1	246	0.58	163	155
RG1D50T6N	50	42	48	40,000	38,000	78	0.63	43	36	41	34	RG1D50T6N	189	182	11.7	11.1	296	0.63	163	155
★ RG2D40S6N	40	35	38	38,000	38,000	62	0.64	41	34	41	34	★ RG2D40S6N	151	144	11.1	11.1	235	0.64	155	155
★ RG2D50S6N	50	42	47	40,000	40,000	81	0.68	43	36	43	36	★ RG2D50S6N	189	178	11.7	11.7	307	0.68	163	163

Model Number	A Floor to Exhaust Conn. in.	B Jacket Dia. in.	C Vent Size in.	D Floor to T&P Conn. in.	E Floor to Gas Conn. in.	F Floor to Top of Heater in.	G Floor to Water Conn. in.	H Depth in.	J C/L of Water Conn. in.	M Water Conn. NPT in.	S Gas Conn. Size in.	Approx. Shipping Weight lbs.
RG1D30T6N	63	16	3 or 4	49 <sup>11/16</sup>	13	56 <sup>1/4</sup>	57	20 <sup>3/4</sup>	8	3/4	1/2	116
RG1D40S6N	57 <sup>7/8</sup>	20	3 or 4	41	13	48	49 <sup>1/8</sup>	24 <sup>3/4</sup>	8	3/4	1/2	147
RG1D40T6N	63 <sup>3/8</sup>	18	3 or 4	49 <sup>11/16</sup>	13	56 <sup>9/16</sup>	57 <sup>3/4</sup>	22 <sup>3/4</sup>	8	3/4	1/2	134
RG1D50T6N	63 <sup>3/8</sup>	20	3 or 4	49 <sup>7/8</sup>	13	56 <sup>9/16</sup>	57 <sup>3/4</sup>	24 <sup>3/4</sup>	8	3/4	1/2	160
★ RG2D40S6N	54 <sup>1/2</sup>	22	3 or 4	41	13	47 <sup>11/16</sup>	48 <sup>7/8</sup>	26 <sup>1/8</sup>	11	3/4	1/2	155
★ RG2D50S6N	63 <sup>1/2</sup>	22	3 or 4	49 <sup>7/8</sup>	13	56 <sup>9/16</sup>	58	26 <sup>1/8</sup>	11	3/4	1/2	174

Model Number	A Floor to Exhaust Conn. mm.	B Jacket Dia. mm.	C Vent Size mm.	D Floor to T&P Conn. mm.	E Floor to Gas Conn. mm.	F Floor to Top of Heater mm.	G Floor to Water Conn. mm.	H Depth mm.	J C/L of Water Conn. mm.	M Water Conn. NPT mm.	S Gas Conn. Size mm.	Approx. Shipping Weight kg.
RG1D30T6N	1600	406	76 or 102	1262	330	1429	1448	527	203	19	13	53
RG1D40S6N	1470	508	76 or 102	1041	330	1219	1248	629	203	19	13	67
RG1D40T6N	1622	457	76 or 102	1262	330	1437	1467	578	203	19	13	61
RG1D50T6N	1622	508	76 or 102	1267	330	1437	1467	629	203	19	13	73
★ RG2D40S6N	1384	559	76 or 102	1041	330	1211	1241	664	279	19	13	70
★ RG2D50S6N	1613	559	76 or 102	1267	330	1437	1473	664	279	19	13	79

Propane models feature a Titanium Stainless Steel propane burner.

For Propane (LP) models change suffix "N" to "X".

For 10 year models, change suffix from "6" to "10".

\* Based on manufacturer's rated recovery efficiency.

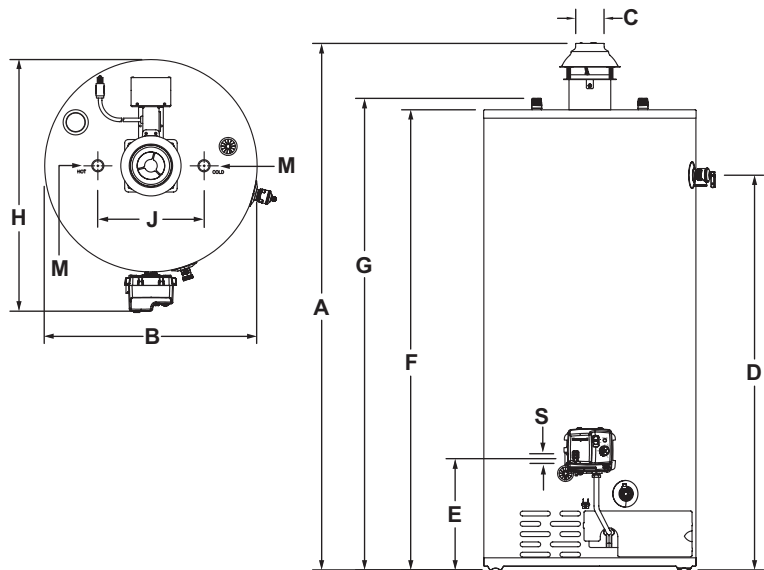
120V, 60Hz., 12 Amps.

Uniform Energy Factor and First Hour Rating is based on the latest AHRI directory listings.

★ = ENERGY STAR® Qualified.



• Models feature optional top T&P location and must be specified when ordering.



### General:

#### Meets NAECA Requirements.

All gas water heaters are certified at 300 PSI test pressure (2068 kPa) and 150 PSI working pressure (1034 kPa). All potable water connections are 3/4" NPT (19mm). All models design-certified by CSA International (formerly AGA/CGA), ANSI Z21.10.1 and peak performance rated.

**Dimensions and specifications subject to change without notice in accordance with our policy of continuous product improvement.**

**Suitable for Water (Potable) Heating and Space Heating.** Toxic chemicals, such as those used for boiler treatment, shall NEVER be introduced into the potable side of this system. The potable side may NEVER be connected to any existing heating system or component(s) previously used with a non-potable water heating appliance.

— BRADFORD WHITE IS —



For field service, contact your professional installer or local Bradford White sales representative.

Sales 800-523-2931 ■ Fax 215-641-1612

Technical Support 800-334-3393 ■ Email [techserv@bradfordwhite.com](mailto:techserv@bradfordwhite.com)

Warranty 800-531-2111 ■ Email [warranty@bradfordwhite.com](mailto:warranty@bradfordwhite.com)

International: Telephone 1-215-641-9400 ■ Email [international@bradfordwhite.com](mailto:international@bradfordwhite.com) / [www.bradfordwhite.com](http://www.bradfordwhite.com)

**Built to be the Best™**