

## **KwickShot<sup>®</sup> Tankless Electric Water Heaters**

### *Thermostatic Models (Single Phase Only)*



#### **Features:**

- **Self-diagnostics With Intelligent Controls**—Actively protect heater in installed environment.
- **Digital LED Display**—With accessible user interface communicates system status and heater operation feedback.
- **Dry-fire Protection**—Engages upon start-up to help prevent heating element dry-fire occurrence.
- **Flexible Installation**—Unit can be installed in any plumbing orientation.
- **Compact Size**—Fits almost anywhere; suitable for ADA compliant facilities.
- **Easy Installation**—Only one input line, hot or cold, needed for installation.
- **Industry's Lowest Activation**—With 0.2 GPM (0.76 LPM) turn on flow.
- **Silent Operation on All Models**—Except TET115V240.
- **No T&P Relief Valve Needed**—Ready to go, right out-of-the-box (check local codes).
- **Integral 3/8" (10mm) Compression Fittings**—No sweat connections or soldering required.
- **Control System**—Activates heater only on demand.
- **Designed to Deliver Hot Water**—To a single pipe faucet, mixing valves or mixing faucets.
- **Save Water and Time**—By installing unit at the point-of-use.
- **Active Energy Management With Power Modulation**—Allows for thermostatic accuracy.
- **High Temperature Limit Switch**—Enables safe operation.
- **Warranty**—5-year limited warranty on leaks, 1-year on parts.

#### **Applications:**

- Fixed or variable flow
- Kitchen/bar/utility sinks
- Handwashing
- Ideal for multiple sensor or metering faucets

#### **Suggested Specification:**

Tankless water heater shall be an Bradford White model number TET\_\_\_\_\_. Unit shall have ABS-UL 94 V-0 rated cover. Unit shall have 0.2 GPM turn on. Unit shall allow mounting in any direction. Element shall be replaceable cartridge insert. Unit shall have replaceable filter in the inlet connector. Element shall be iron free, Nickel Chrome material. Tankless water heater to utilize complex algorithm, actively managing power application to real time system demand. Integrated flow meter, along with inlet and outlet temperature sensors provide data which allows the unit to instantly adapt to variations in input parameters. Heater shall be fitted with 3/8" compression fittings to eliminate need for soldering. Maximum operating pressure of 150 PSI. Accessible diagnostic features to include error/fault display. Hot water storage tanks prohibited. Unit shall be Bradford White or approved equal.



For more information on warranty, please visit [www.bradfordwhite.com](http://www.bradfordwhite.com)

For products installed in USA, Canada and Puerto Rico. Some states do not allow limitations on warranties. See complete copy of the warranty included with the heater.



# KwickShot® Tankless Electric Water Heaters

## Thermostatic Models (Single Phase Only)

Model Number	kW Rating	Voltage (Volts)	AMPS	TURN ON (GPM)	TURN ON (LPM)	Temperature Rise °F				Temperature Rise °C				Recommended Wire Size (75° C/CU)
						0.35 GPM	0.5 GPM	1.0 GPM	2.0 GPM	1.3 LPM	1.9 LPM	3.8 LPM	7.6 LPM	
TET055V240	5.5	240	23	0.20	0.76	107	75	38	19	59	42	21	11	12 AWG
TET055V240*	4.1	208	20	0.20	0.76	80	56	28	14	44	31	16	8	12 AWG
TET055V240ML**	5.5	240	23	0.20	0.76	†	75	38	19	59	42	21	11	12 AWG
TET060V277	6.0	277	22	0.20	0.76	†	82	41	20	†	46	23	11	12 AWG
TET060V277ML**	6.0	277	22	0.20	0.76	†	†	41	20	†	46	23	11	12 AWG
TET065V240	6.5	240	27	0.20	0.76	†	89	44	22	†	49	24	12	10 AWG
TET065V240*	4.9	208	24	0.20	0.76	96	67	33	17	53	37	18	9	10 AWG
TET065V240ML**	6.5	240	27	0.20	0.76	†	†	44	22	†	49	24	12	10 AWG
TET075V240	7.5	240	32	0.20	0.76	†	102	51	26	†	57	28	14	10 AWG
TET075V240*	5.6	208	27	0.20	0.76	109	76	38	19	61	42	21	11	10 AWG
TET075V240ML**	7.5	240	32	0.20	0.76	†	†	51	26	†	57	28	14	10 AWG
TET080V277	8.0	277	29	0.20	0.76	†	109	55	27	†	61	31	15	10 AWG
TET080V277ML**	8.0	277	29	0.20	0.76	†	†	55	27	†	61	31	15	10 AWG
TET083V208	8.3	208	40	0.20	0.76	†	†	57	28	†	†	32	16	8 AWG
TET083V208ML**	8.3	208	40	0.20	0.76	†	†	57	28	†	†	32	16	8 AWG
TET090V277	9.0	277	33	0.20	0.76	†	†	61	31	†	†	34	17	10 AWG
TET090V277ML**	9.0	277	33	0.20	0.76	†	†	61	31	†	†	34	17	10 AWG
TET095V240	9.5	240	40	0.20	0.76	†	†	65	32	†	†	36	18	8 AWG
TET095V240*	7.0	208	34	0.20	0.76	†	96	48	24	†	53	27	13	8 AWG
TET095V240ML**	9.5	240	40	0.20	0.76	†	†	65	32	†	†	36	18	8 AWG
TET100V277	10.0	277	36	0.20	0.76	†	†	68	34	†	†	38	19	8 AWG
TET100V277ML**	10.0	277	36	0.20	0.76	†	†	68	34	†	†	38	19	8 AWG
TET115V240	11.5	240	48	0.20	0.76	†	†	79	39	†	†	44	22	8 AWG
TET115V240*	8.7	208	42	0.20	0.76	†	†	59	30	†	†	33	17	8 AWG
TET115V240ML**	11.5	240	48	0.20	0.76	†	†	79	39	†	†	44	22	8 AWG

\* 240V units can be used on 208V single phase with 25% reduced temperature output. Please note per UL standards the rating plate and installation instructions will all be according to a 240V applied voltage. Check with local officials prior to derating the electrical infrastructure.

\*\* Multi-Lavatory (ML) thermostatic models are designed to deliver a maximum water temperature of 110°F. ML models are supplied with multiple .35 GPM aerators (refer to I&O manual).

† Temperature electronically controlled to factory preset maximum temperature.

### System Specifications

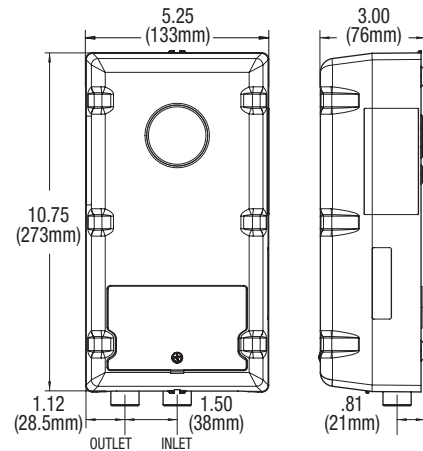
<b>Dimensions:</b>	10.75" H x 5.25" W x 3" D	273mm H x 133.4mm W x 76mm D
<b>Product Weight:</b>	4 lb	1.82kg
<b>Cover:</b>	ABS-UL rated 94 V-0	
<b>Color:</b>	White	
<b>Adjusted Temperature Range:</b>	70°F-140°F**	21°C-60°C**
<b>Minimum Dynamic Operating Pressure:</b>	35 PSI	241 kPa
<b>Maximum Dynamic Operating Pressure:</b>	150 PSI	1034 kPa
<b>Element:</b>	Replaceable nichrome cartridge insert	
<b>Fittings:</b>	3/8" compression fittings	10mm compression fittings

\*\* Multi-Lavatory (ML) thermostatic models are designed to deliver a maximum water temperature of 110°F.

UL listed file number: E86887

U.S. Patent #'s: 4,762,980 and 4,960,976

Note: For optimum performance, mounting location should be located within 2 feet of fixture.



### Tankless water heater user interface must have the following capabilities:

- Selectable display including Celsius /Fahrenheit, setpoint, flow rate, inlet temperature outlet temperature, power factor
- Capable of displaying flow rate in gallons per minute & liters per minute
- Diagnostic features to include error/fault display
- Control board must maintain error/fault history of 5 events

Dimensions and specifications subject to change without notice in accordance with our policy of continuous product improvement.

— BRADFORD WHITE IS —



Sales: 800-523-2931 ■ Fax 215-641-1612

24/7 Technical Support: 800-334-3393 ■ Email [techserv@bradfordwhite.com](mailto:techserv@bradfordwhite.com)

Products made by Bradford White are manufactured in the United States using the finest raw materials and components from around the world.

**Built to be the Best**