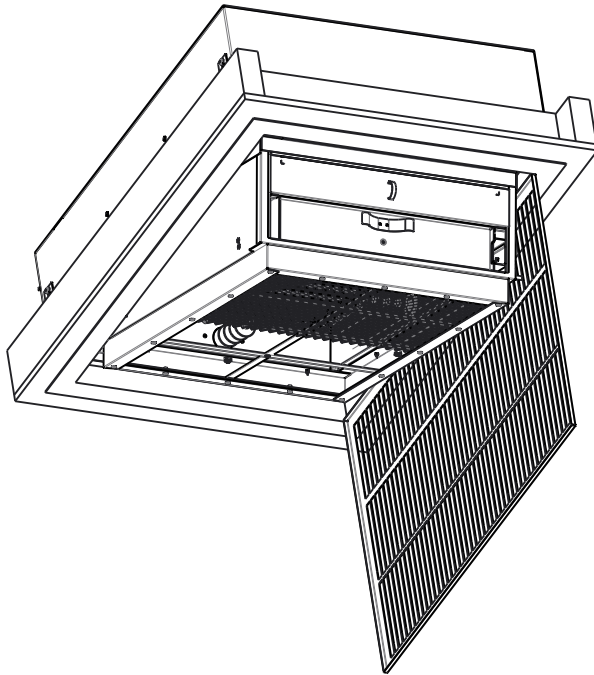


RGAPAXX, RGAPBXX
Evolution® Return Air Purifier
Size 1625



Product Data



A200506



A200424

The Evolution® Return Air Purifier is designed for use in the return air duct of a forced air heating, cooling, and ventilation system.

It combines superior filtration efficiency, MERV 15¹, with pathogen-killing technology to deliver maximum air purification.

The Evolution® Return Air Purifier is designed to require minimal maintenance. Maintenance is limited to the replacement of the air purification cartridge and inspection/brush cleaning of the ionization array. Frequency of air purifier cartridge replacement and cleaning of the ionization array may vary depending on ductwork design and local environmental conditions.

FEATURES / Benefits

Filtration Performance — High efficiency MERV 15¹, meets flow 0.10 @ 800 CFM

Purification Performance — Featuring patented Captures & Kills® technology, the Evolution® air purifier offers proven, third-party tested effectiveness with a 99% inactivation of captured viruses and germs when used as instructed, including:²

- Coronavirus
- Common cold surrogate
- Bacteria that causes strep throat
- Human influenza

Simple Maintenance — Virtually no cleaning required. Simply change purifier cartridge periodically and brush off array.

Easy to Install — Adjustable L-brackets to fit 2 x 4 and 2 x 6 joists.

Replaceable Filters — Pull down access to replace filters from inside the home.

Solid-State Power Supply — Power supply is a highly reliable, dual voltage compatible, state-of-the-art, solid-state device.

Durable Cabinet — Heavy-gauge steel cabinet and frame.

Agency Listed — Model RGAP Air Purifier is UL (Canada and US) listed.

1. MERV is a filter efficiency standard ranging from 1 to 16 (higher MERV = higher efficiency). The Evolution air purifier achieves a MERV 15 rating based on third-party testing (2012) showing 95% of particles size 1.0 to 3.0 microns captured and 85% of particles size 0.3 to 1.0 microns captured.

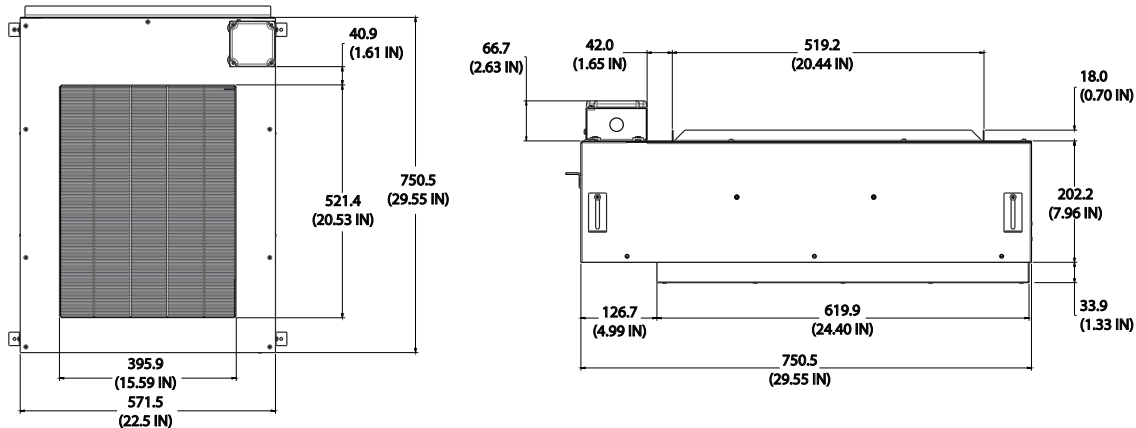
2. The Evolution air purifier has demonstrated effectiveness against the murine coronavirus, based on third-party testing (2020) showing a >99% inactivation, which is a virus similar to the human novel coronavirus (SARS-CoV-2) that causes COVID-19. Therefore, the Evolution air purifier can be expected to be effective against SARS-CoV-2 when used in accordance with its directions for use. Third-party testing (2012, 2007) also shows ≥99% inactivation for the type of virus that causes common colds, Streptococcus pyogenes and human influenza. Airborne particles must flow through your HVAC system and be trapped by the filter to be inactivated at 99%.

RGAP(A,B)XX1625 Specifications, Accessories, and Dimensions

SPECIFICATIONS	
Weight, shipping — Lbs (kg)	60 (27)
Filtration Efficiency *	MERV 15
Filter Media Surface Area — Sq. Ft. (Sq. Meter)	50.8 (4.7)
Replacement Filter Dimensions — Inches (cm)	17.3 x 24.9 x 2.6 (44 x 63 x 7)
Electrical	Dual voltage power supply 115/60/1, 208-230/60/1 built into door. 6 ft. conduit with (3) 18AWG wires with quick connect terminals
Max Power Consumption	22 Watts
Purification Performance	99% inactivation for murine coronavirus, human influenza virus, common cold virus, streptococcus bacteria
Cabinet & Color	G60 steel, Granite Grey, RoHS compliant
Maximum Air Flow — CFM (LPS) *	2200 (1038)
Dust Holding Capacity @ 0.5 in wg at max airflow (grams ASHRAE Dust)	37
Ozone Produced (max allowed is 0.05 PPM)	Maximum ozone produced at 375 CFM is 0.014499 PPM.† Maximum ozone produced at 2200 CFM is 0.002231 PPM.†
INITIAL PRESSURE DROP WITH CLEAN FILTER	
CFM (LPS)	In. wg (pa)
200 (94)	0.01 (2)
400 (189)	0.03 (7)
600 (283)	0.06 (15)
800 (378)	0.10 (25)
1000 (472)	0.14 (35)
1200 (566)	0.19 (47)
1400 (661)	0.25 (62)
1600 (755)	0.32 (80)
1800 (850)	0.40 (100)
2000 (944)	0.49 (122)
2200 (1038)	0.58 (144)
ACCESSORIES	
Replacement Filter P/N (2-pk)	AGAPXCAR1625-A02
Safety Screen Accessory P/N	KIT170000
Safety Screen Dimensions — Inches (cm)	17.49 x 24.40 x 1.75 (44.4 x 62.0 x 4.4)
Filter Enhancement Module (FEM)	KIT145000
Power Supply Assembly	KIT159000
Current Sensing Relay Kit	HN72ZA001
Service Quick Kit	344872-751 (Included standard with the RGAPBXX1625)
Air Flow Sensor	KIT160000 (Included standard with the RGAPBXX1625)
Flow Sensor Bypass	KIT161000 (Included standard with the RGAPAXX1625)
Safety Switch	346811-401
Gas Strut	347055-401

*. Per ASHRAE 52.2 2007

†. Meets EPA and CA limits based on CSA 22.2 #187-20



A200505