

Inverter Driven Heat Pump

12,000 BTU Single Zone High SEER Wall Mounted

Job Name _____
 Location _____
 Engineer _____
 Submitted To _____
 Submitted By _____
 Reference _____

Date _____
 Approval _____
 Construction _____
 Unit No _____
 Drawing No _____

PRODUCT FEATURES

- Auto Changeover
- Weekly & 24 hr. Timer
- Auto Louver: 4 Way
- Minimum Heat Mode
- Wireless Remote control
- Auto Restart
- Economy Mode
- Energy Saving Program(ESP)
- Outdoor Unit Low Noise Schedule



MODEL NUMBERS	
Indoor Unit	ASUG12LZBS
Outdoor Unit	AOUG12LZAS1
System	12LZBS1

EFFICIENCIES	
SEER	29.4
SEER 2	29.4
EER	15.2
EER 2	15.2
HSPF	14
HSPF 2 (IV) / HSPF 2 (V)	12.9/10.4
COP	kW/kW 4.64
COP	Btu/hW 15.8
COP2	kW/kW 4.64
COP2	Btu/hW 15.8

OUTDOOR TEMPERATURE OPERATION RANGE	
Cooling	*F(°C) 14 to 115 (-10 to 46)
Heating*	*-5 to 75 (-21 to 24)

CAPACITIES			
Cooling	Rated	Btu/h	12000
	Min.-Max.		3,100-13,600
Heating	Rated	Btu/h	16000
	Min.-Max.		3,100-22,100

LINESET REQUIREMENTS	
Connection Method	Flare
Liquid	in (mm) Ø1/4 (Ø6.35)
Gas	in (mm) Ø3/8 (Ø9.52)
Pre-charge length	ft (m) 49 (15)
Minimum Length	ft (m) 16 (5)
Max. length	ft (m) 66 (20)
Max. height difference	ft (m) 49 (15)

INDOOR DIMENSIONS & WEIGHT	
Net (H x W x D)	in (mm) 11 x 38-9/16 x 9-7/16 (280 x 980 x 240)
Gross (H x W x D)	in (mm) 12-11/16 x 42-7/16 x 13-5/8 (322 x 1,078 x 346)
Net Weight	lb (kg) 29 (13)
Gross Weight	lb (kg) 37 (17)

OUTDOOR DIMENSIONS & WEIGHT	
Net (H x W x D)	in (mm) 24-7/8 x 31-7/16 x 11-7/16 (632 x 799 x 290)
Gross (H x W x D)	in (mm) 27-1/4 x 37 x 14-3/4 (692 x 940 x 375)
Net Weight	lb (kg) 84 (38)
Gross Weight	lb (kg) 95 (43)

* System continues to operate below rated outdoor operation temperature range, subject to varying conditions. System has no low temperature cut out. Capacity is not tested outside of the rated temperature range.

Warranty Information



7 Year Compressor, 5 Year Parts out-of-the-box Warranty



10 Year Compressor, 10 Year Parts Warranty when registered within 60 days of installation in a residence



12 Year Compressor, 12 Year Parts Warranty when registered within 60 days of installation in a residence, and installed by a Fujitsu Elite contractor

ACCESSORIES

UTY-RNRUZ*	Wired Remote Controller
UTY-RSRY	Simple Remote Controller
UTY-RHRY	Simple Remote Controller
UTY-XWZXZ5	External Connect Kit
UTY-XCSXZ2	External Input and Output PCB
UTY-TWRXZ2	Communication Kit
UTY-TFSXF1	Wireless LAN adapter
UTY-TTRXZ1	24V Thermostat Interface



This system combination is Energy Star qualified



+App available in Apple® App Store and Google® Play Store.

Due to continuous product improvements, specifications are subject to change without notice. Please log in to the Fujitsu Portal for the most up-to-date documentation <https://connect.fujitsugeneral.com>

Effective Date: 04/18/2024

Inverter Driven Heat Pump

12,000 BTU Single Zone High SEER Wall Mounted

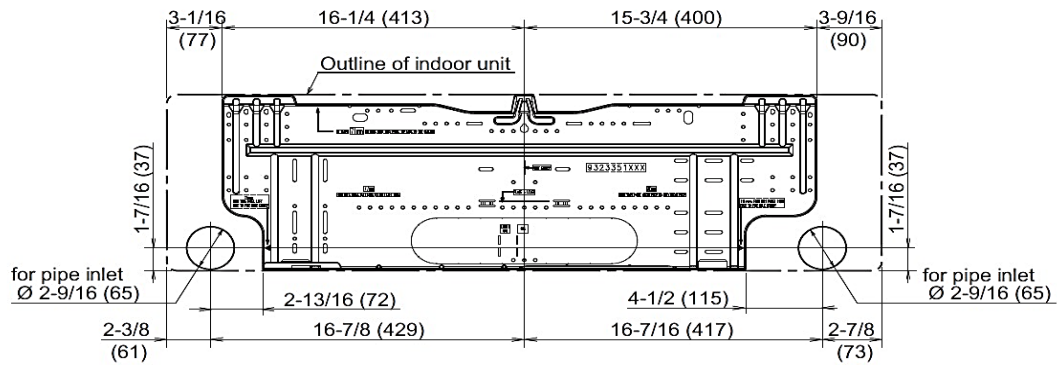
FAN DATA			
Indoor Unit Airflow rate	Cooling	HIGH	542 (920)
		MED	406 (690)
		LOW	312 (530)
		QUIET	206 (350)
	Heating	HIGH	542 (920)
		MED	406 (690)
		LOW	312 (530)
		QUIET	206 (350)
Outdoor Unit Airflow rate	Cooling	1,171 (1,990)	
	Heating	1,089 (1,850)	
SOUND PRESSURE			
Indoor Unit	Cooling	HIGH	43
		MED	37
		LOW	31
		QUIET	23
	Heating	HIGH	43
		MED	36
		LOW	31
		QUIET	23
Outdoor Unit	Cooling	47	
	Heating	47	
REFRIGERANT			
Type			R410A
Charge	lb oz	2 lb 14 oz	
	g	1300	
Oil Type			RB68

ELECTRICAL SPECIFICATIONS			
Voltage/Frequency/Phase		208/230 V ~60 Hz	
Available Voltage Range		187–253 V	
Current	Cooling	Rated	3.8
	Heating	Rated	4.7
Maximum Operating Current	Cooling	A	9.4
	Heating		10.9
Starting Current		4.7	
MCA		13.4	
Maximum Circuit Breaker		15	
Input Power	Cooling	Rated	kW
		Min.–Max.	
	Heating	Rated	
Power Factor	Cooling	%	90
	Heating		93
OTHER			
Moisture Removal		pints/h (L/h)	2.7 (1.3)
Energy Star		Yes	
Drain hose	Material		PP+LLDPE
	Tip diameter	in (mm)	Ø7/32 (Ø13.8) (I.D.), Ø5/8 to 21/32 (Ø15.8 to 16.7) (O.D.)
Operation Range	Cooling	°F (°C)	64 to 90 (18 to 32)
	Heating	%RH	80 or less
		°F (°C)	60 to 86 (16 to 30)

DIMENSIONS:

Units: In. (mm)

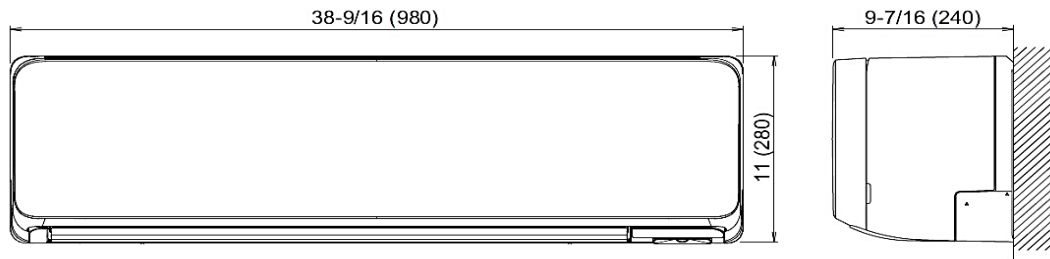
Wall Bracket Data:



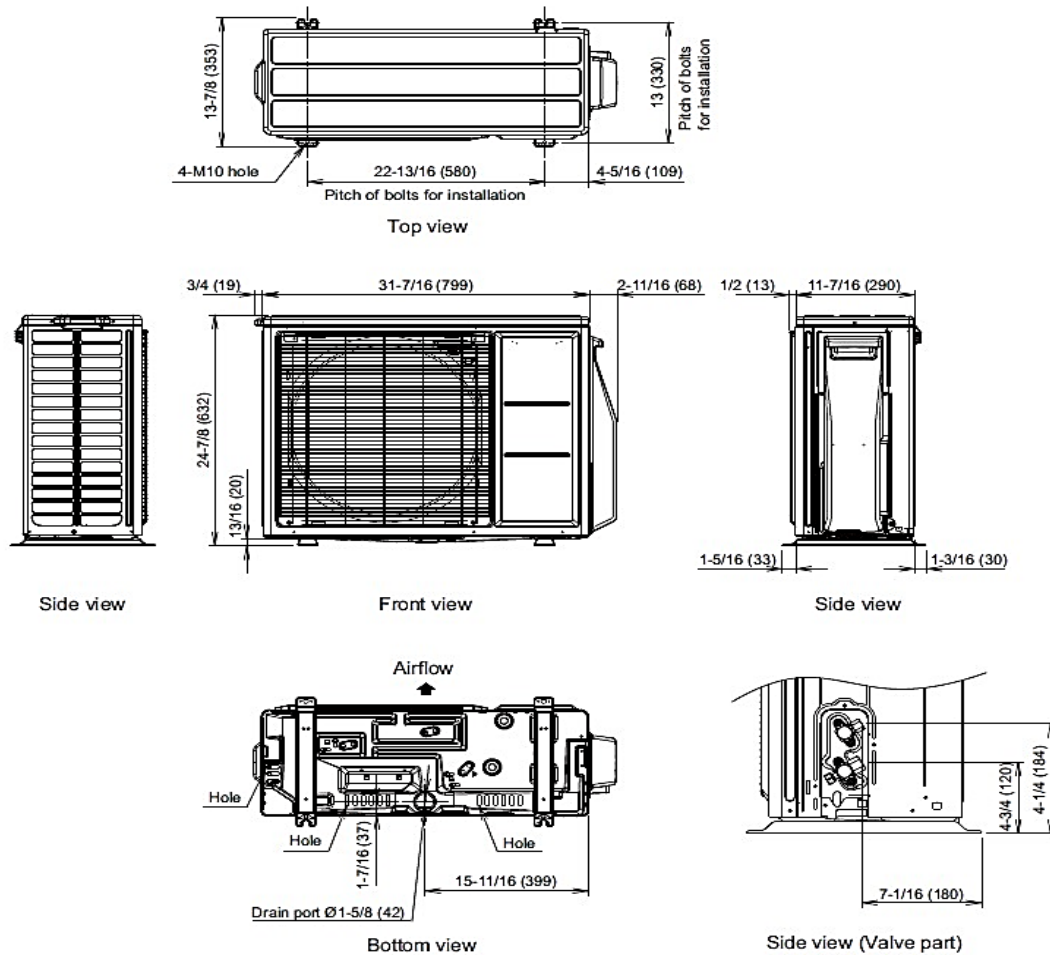
DIMENSIONS

Units: In. (mm)

Indoor Unit



Outdoor Unit



The Fujitsu logo is a worldwide trademark of Fujitsu General Limited. The Airstage logo and name is a worldwide trademark of Fujitsu General Limited and is a registered trademark in Japan, the USA and other countries or areas. Copyright 2024 Fujitsu General America, Inc. Fujitsu's products are subject to continuous improvements. Fujitsu reserves the right to modify product design, specifications and information in this brochure without notice and without incurring any obligations.

Note: Specifications are based on the following conditions:
 Cooling: Indoor temperature of 80°F (26.7°C) DB/67°F (19.4°C) WB, and outdoor temperature of 95°F (35°C) DB/75°F (23.9°C) WB. Heating: Indoor temperature of 70°F (21.1°C) DB/60°F (15.6°C) WB, and outdoor temperature of 47°F (8.3°C) DB/43°F (6.1°C) WB. Pipe length: 25ft. (7.5m), Height difference: 0ft. (0m) (Outdoor unit - indoor unit).