



The new degree of comfort.®



Residential Gas  
**Professional Classic**  
Power Direct Vent Water Heaters

## Professional Classic® Power Direct Vent gas water heaters are a perfect choice for tight construction or when indoor air quality is a concern

### Efficiency

- .63 - .69 UEF
- ENERGY STAR® rated

### Performance

- FHR: Up to 82 gallons for natural and LP gas
- Recovery: 38.4 to 40.4 GPH at a 90° F rise, depending on model

### Self-Diagnostic System

- Electronic gas control for improved monitoring and service



### Low Emissions

- Eco-friendly burner, low NOx design

### Features

- Two pipe system: one pipe pulls in outside air for combustion and the other exhausts combustion gases
- 120 VAC powered blower
- New whisper quiet blower

### Flammable Vapor Detection System

- Protective control system that disables the heater in the presence of flammable vapor accumulation

### Flexible Venting Options

- Long venting lengths up to 100 feet
- PVC, ABS, or CPVC vent pipe options
- Vertical or horizontal termination
- Concentric vent kit available

### Longer Life

- Premium grade anode rod provides long-lasting tank protection

### High Altitude Compliant

- Models are certified for applications up to 10,200 feet above sea level

### Plus...

- Enhanced flow brass drain valve
- Temperature and pressure relief valve included
- Low lead compliant
- Durable silicon nitride igniter (HSI)
- EverKleen™ patented system fights sediment build-up
- Standard replacement parts

### Warranty

- 6-Year limited tank and parts warranty\*
- With ProtectionPlus™ the 6-year limited tank warranty becomes 10-year

\*See Residential Warranty Certificate for complete information

Units meet or exceed ANSI requirements and have been tested according to D.O.E. procedures. Units meet or exceed the energy efficiency requirements of NAECA, ASHRAE standard 90, ICC Code and all state energy efficiency performance criteria.



## Professional Classic Power Direct Vent

40 and 50-Gallon Capacities  
Up to 40,000 BTU/h  
Natural and LP Gas



LEED Point = 1

See specifications chart on back.



INTEGRATED HOME COMFORT



The new degree of comfort.®

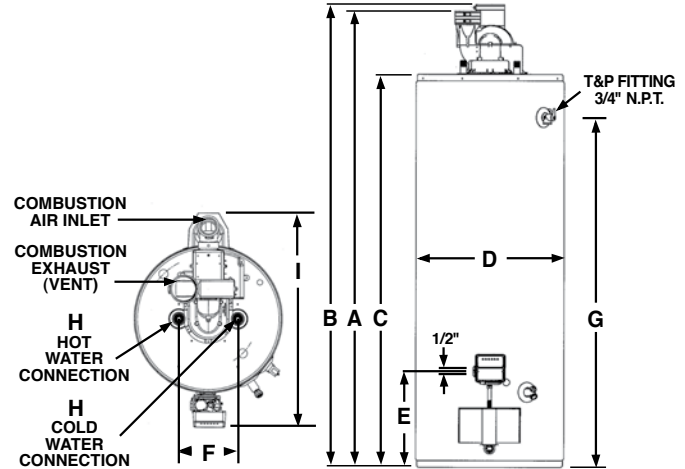


Residential Gas  
Professional Classic  
Power Direct Vent Water Heaters

## Professional Classic® Power Direct Vent Specifications

DESCRIPTION			FEATURES						ROUGHING IN DIMENSIONS (SHOWN IN INCHES)										ENERGY INFO.	
TYPE	NOMINAL GALLON CAP.	RATED GALLON CAP.	MODEL NUMBER	GAS INPUT IN THOUS. BTU/H		RECOVERY IN G.P.H. 90° F RISE		UEF FIRST HR. DEL. G.P.H.		HEIGHT TO TOP OF VENT A	HEIGHT TO TOP OF AIR INLET B	TANK HEIGHT C	DIAM. D	HT. TO GAS CONN. E	WATER CONN. CNTR. F	HT. TO SIDE T&P VALVE G	WATER CONN. SIZE H	FRONT TO BACK I	SHIP WT. (LBS)	UNIFORM ENERGY FACTOR (UEF)
				NAT.	LP	NAT.	LP	NAT.	LP											
Tall	40	38	PROG40-40N RH67 PDV	40	-	40.4	-	67	-	68-1/2	69-1/4	60-1/4	19-3/4	14	8	53-3/4	3/4	29-1/2	180	0.63
Tall	40	38	PROG40-38P RH67 PDV	-	38	-	38.4	-	67	68-1/2	69-1/4	60-1/4	19-3/4	14	8	53-3/4	3/4	29-1/2	180	0.63
Tall	50	47	PROG50-40N RH67 PDV	40	-	40.4	-	82	-	67-5/8	67-7/8	59-3/8	21-3/4	14	8	52-3/4	3/4	31-1/2	205	0.69
Tall	50	47	PROG50-40P RH67 PDV	-	40	-	40.4	-	82	67-5/8	67-7/8	59-3/8	21-3/4	14	8	52-3/4	3/4	31-1/2	205	0.69

Uniform Energy Factor and rated gallon capacity based on Department of Energy (DOE) requirements.



### Air-Inlet Venting Information

FROM SEA LEVEL THROUGH 5,999 FT. ABOVE SEA LEVEL					
MODEL	VENT & COMBUSTION AIR-INLET SYSTEM DIAMETER (INCHES)	MIN. ALLOWED EQUIV. VENT & COMBUSTION AIR-INLET LENGTHS – EACH PIPE RUN (FT.)	MAX. ALLOWED EQUIV. VENT & COMBUSTION AIR-INLET LENGTHS – EACH PIPE RUN (FT.)	VENT AND COMBUSTION AIR-INLET SYSTEM TERMINATION(S)	
PROG40-40N RH67 PDV	2	7	30	90° Elbows	Concentric*
PROG40-40N RH67 PDV	3	7	60	90° Elbows	-
PROG40-40N RH67 PDV	3	7	50	-	Concentric*
PROG50-40N RH67 PDV	2	7	30	90° Elbows	Concentric*
PROG50-40N RH67 PDV	3	7	60	90° Elbows	-
PROG50-40N RH67 PDV	3	7	50	-	Concentric*

FROM 6,000 FT. ABOVE SEA LEVEL THROUGH 7,700 FT. ABOVE SEA LEVEL					
MODEL	VENT & COMBUSTION AIR-INLET SYSTEM DIAMETER (INCHES)	MIN. ALLOWED EQUIV. VENT & COMBUSTION AIR-INLET LENGTHS – EACH PIPE RUN (FT.)	MAX. ALLOWED EQUIV. VENT & COMBUSTION AIR-INLET LENGTHS – EACH PIPE RUN (FT.)	VENT AND COMBUSTION AIR-INLET SYSTEM TERMINATION(S)	
PROG40-40N RH67 PDV	2	7	15	90° Elbows	-
PROG40-40N RH67 PDV	2	7	30	-	Concentric*
PROG40-40N RH67 PDV	3	7	60	90° Elbows	-
PROG40-40N RH67 PDV	3	7	50	-	Concentric*
PROG50-40N RH67 PDV	2	7	15	-	Concentric*
PROG50-40N RH67 PDV	3	7	60	90° Elbows	-
PROG50-40N RH67 PDV	3	7	50	-	Concentric*

FROM 7,701 FT. ABOVE SEA LEVEL THROUGH 10,200 FT. ABOVE SEA LEVEL					
MODEL	VENT & COMBUSTION AIR-INLET SYSTEM DIAMETER (INCHES)	MIN. ALLOWED EQUIV. VENT & COMBUSTION AIR-INLET LENGTHS – EACH PIPE RUN (FT.)	MAX. ALLOWED EQUIV. VENT & COMBUSTION AIR-INLET LENGTHS – EACH PIPE RUN (FT.)	VENT AND COMBUSTION AIR-INLET SYSTEM TERMINATION(S)	
PROG40-40N RH67 PDV	2	7	15	-	Concentric*
PROG40-40N RH67 PDV	3	7	60	90° Elbows	-
PROG40-40N RH67 PDV	3	7	50	-	Concentric*
PROG50-40N RH67 PDV	3	7	60	90° Elbows	-
PROG50-40N RH67 PDV	3	7	50	-	Concentric*

One 90° elbow is approximately equivalent to 5 feet of pipe. One 45° elbow is approximately equivalent to 2.5 feet of pipe.  
\* Use only Rheem 3 inch concentric termination.

In keeping with its policy of continuous progress and product improvement, Rheem reserves the right to make changes without notice.

Rheem Water Heating • 1115 Northmeadow Parkway, Suite 100  
Roswell, Georgia 30076 • www.rheem.com



INTEGRATED HOME COMFORT