

- Outstanding performance
- Easy to install and service
- Made with Weil-McLain quality

HIGH EFFICIENCY CAST IRON
STEAM BOILER

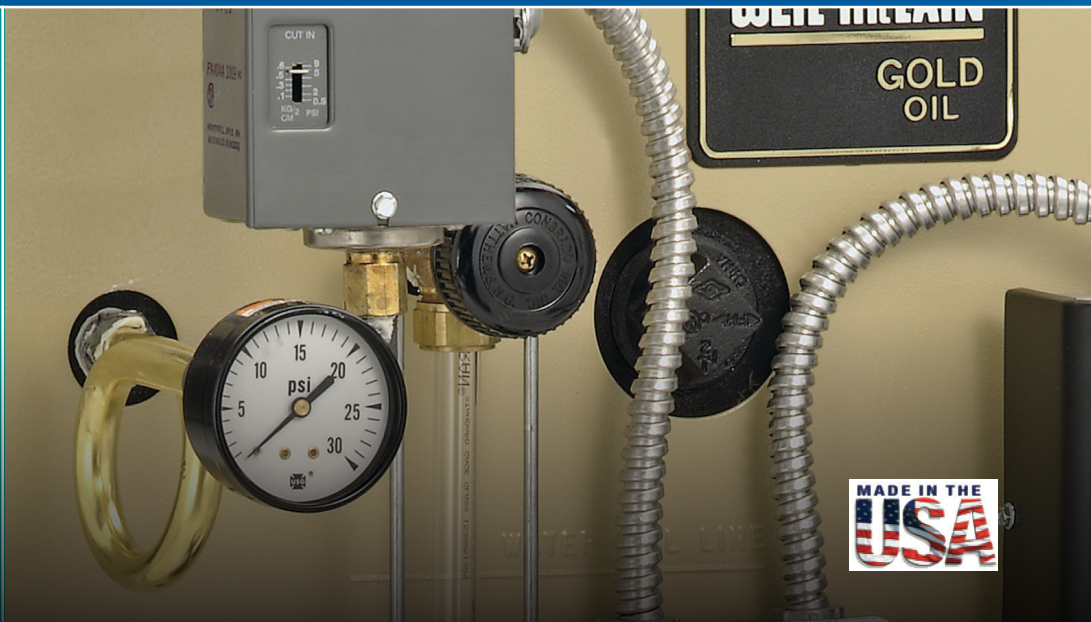
SGO™

GOLD SERIES OIL BOILERS

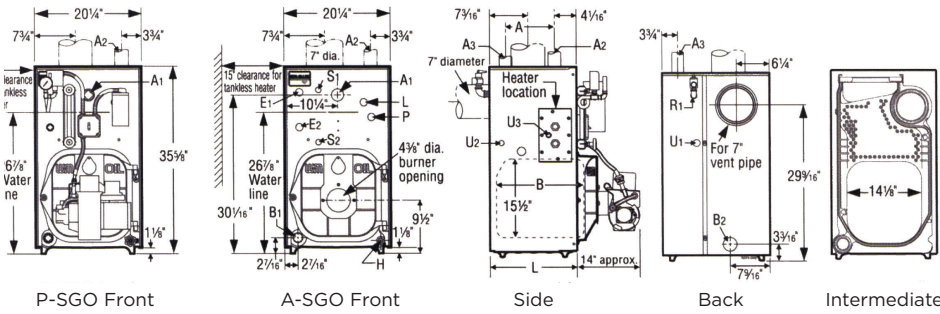


APPLICATIONS INCLUDE:

- Residential
- Light Commercial
- Multiple Boilers
- Indirect-fired Water Heating
- Radiant Heating
- ...And Much More



DIMENSIONS



Tapping Location	Size (Inches)	Steam
A ₁	1 1/2	Skim tapping
A ₂	2 1/2	Supply
A ₃	2 1/2	Supply (SGO-6 thru 9)
B ₁	1 1/2	Plugged
B ₂	2	Return
E ₁	1/2	Pressure gauge & limit control (when probe LWCO is used)
E ₁ & E ₁	1/2	Low water cutoff (float-type)
H	3/4	Drain valve
L	3/4	Pressure gauge & limit control (when probe LWCO is used)
P	3/4	Low water cutoff (float-type)
R ₁	3/4	Relief valve
S ₁ & S ₂	1/2	Gauge glass
U ₁	1	Take-off for indirect-fired water heater or separate zone
U ₂	3/4	Tankless heater operating control (SGO-6 thru 9)
U ₃ *	3/4	Tankless heater operating control (SGO-3 thru 5)

Model	Supply (inches)		Return (inches)		Dimension (inches)**			Tankless Heater #35-S-29	
	Steam	Steam	A	B	L	Inlet & Outlet (NPT) (in)	Temp Control (NPT) (in)		
SGO-3	1-2 1/2	2	-	13 1/2	16 7/8	3/4	3/4		
SGO-4	1-2 1/2	2	-	16 5/8	20	3/4	3/4		
SGO-5	1-2 1/2	2	-	19 7/8	23 1/8	3/4	3/4		
SGO-6	2-2 1/2	2	19	23	26 1/4	3/4	3/4		
SGO-7	2-2 1/2	2	22 1/8	26 1/8	29 3/8	3/4	3/4		
SGO-8	2-2 1/2	2	25 1/4	29 1/4	32 1/2	3/4	3/4		
SGO-9	2-2 1/2	2	28 3/8	32 3/8	35 5/8	3/4	3/4		

RATINGS

Model*	Burner Input Rating				Net AHRI Steam Ratings			Chimney Size			
	Burner Input Rating GPH (1)	AFUE	Heating Capacity MBH (2) (3)	MBH (3)	Sq. Ft. (5)	Tankless Heater Intermittent Draw Rating (GPM) (6)	Draft Loss Through Boiler (in w/c) (7)	Rectangular (in.)	Round (in.)	Height (ft.)	Approx. Shipping Weight (Lbs)
SGO-3	0.95	84.0	114	85	354	3.25	.020	8X8	6	15	600
SGO-4	1.20	84.0	144	108	450	3.75	.010	8X8	6	15	705
SGO-5	1.45	83.9	174	131	546	4.00	.015	8X8	7	15	820
SGO-6	1.75	83.7	210	158	658	4.25	.015	8X8	7	15	920
SGO-7	2.00	83.6	240	180	750	5.50	.015	8X8	8	15	990
SGO-8	2.30	-(4)	266	200	833	5.75	.025	8X12	8	20	1,090
SGO-9	2.55	-(4)	295	221	921	6.00	.030	8X12	8	20	1,195

In the interest of continual improvements in product and performance, Weil-McLain reserves the right to change specifications without notice.



STANDARD EQUIPMENT:

- Factory Tested and Assembled Cast Iron Section Assembly (jacket and collector hood are not assembled on 7, 8 and 9 section blocks)
- Insulated Steel Jacket
- Aluminized Steel Flue Collector Hood with Flue Cap on Top Outlet (convertible to rear outlet)
- Swing-Away Burner Mounting Door
- Refractory Blanket and Target Wall in Combustion Area
- Heater Opening Cover Plate
- Electrical Junction Box with Wiring Harnesses
- Junction Box Cover Plate with Service Switch
- Two Vent Pipe Brackets
- Drain Valve
- Barometric Damper
- High Limit Pressure Control
- Low Water Cutoff (Float or Probe Type -P Units Only 15 PSI ASME Relief Valve (boiler sections tested for 15 PSI working pressure)
- Steam Pressure Gauge
- Siphon
- Gauge Glass, Cocks And Guard

OPTIONAL EQUIPMENT:

- High-Efficiency Flame-Retention Oil Burner (Beckett AFG, Carlin EZ or Riello). Specify 2-Stage Fuel Unit (optional) if Required.
- Tankless Heaters And Controls
- Low Water Cutoffs (float or probe type)
- W-M 5 & 10 Year Homeowner Protection Plan
- W-M Indirect-Fired Water Heaters

NOTES:

- * Add "P" for packaged boiler (SGO-3 through SGO -6 only), add "A" for boiler only.
- (1) No. 2 fuel oil-Commercial Standard Specification CS75-56. Heating value of oil-140,000 BTU/Gal.
- (2) Based on standard test procedures prescribed by the United States Department of Energy at combustion condition of 13 1/2% CO2 and -0.02" W.C. draft.
- (3) MBH refers to thousands of BTU per hour.
- (4) Rating under "DOE Heating Capacity" for SGO -8 and -9 is AHRI gross output. DOE ratings do not apply to boilers above 300 MBH.
- (5) Net AHRI ratings are based on net installed radiation of sufficient quantity for the requirements of the building and nothing need be added for normal piping and pickup. Steam ratings are based on a piping and pickup allowance of 1.333. An additional allowance should be made for unusual piping and pickup loads.
- (6) All boiler sizes use number 35-S-29 tankless heater. Tankless heater rating is in gallons of water per minute, heated from 40°F to 140°F with 200°F boiler water temperature-tested in accordance with I-W-H Testing and Rating Standard for Indirect Tankless Water Heaters Test with Boilers.
- (7) Listed draft losses are for standard burner settings.