

My book about

V



van

This book belongs to

Can you see **V** ?

Find all the v sounds and circle them.

v

w

y

x

v

c

v

v

b

v

r

f

u

v

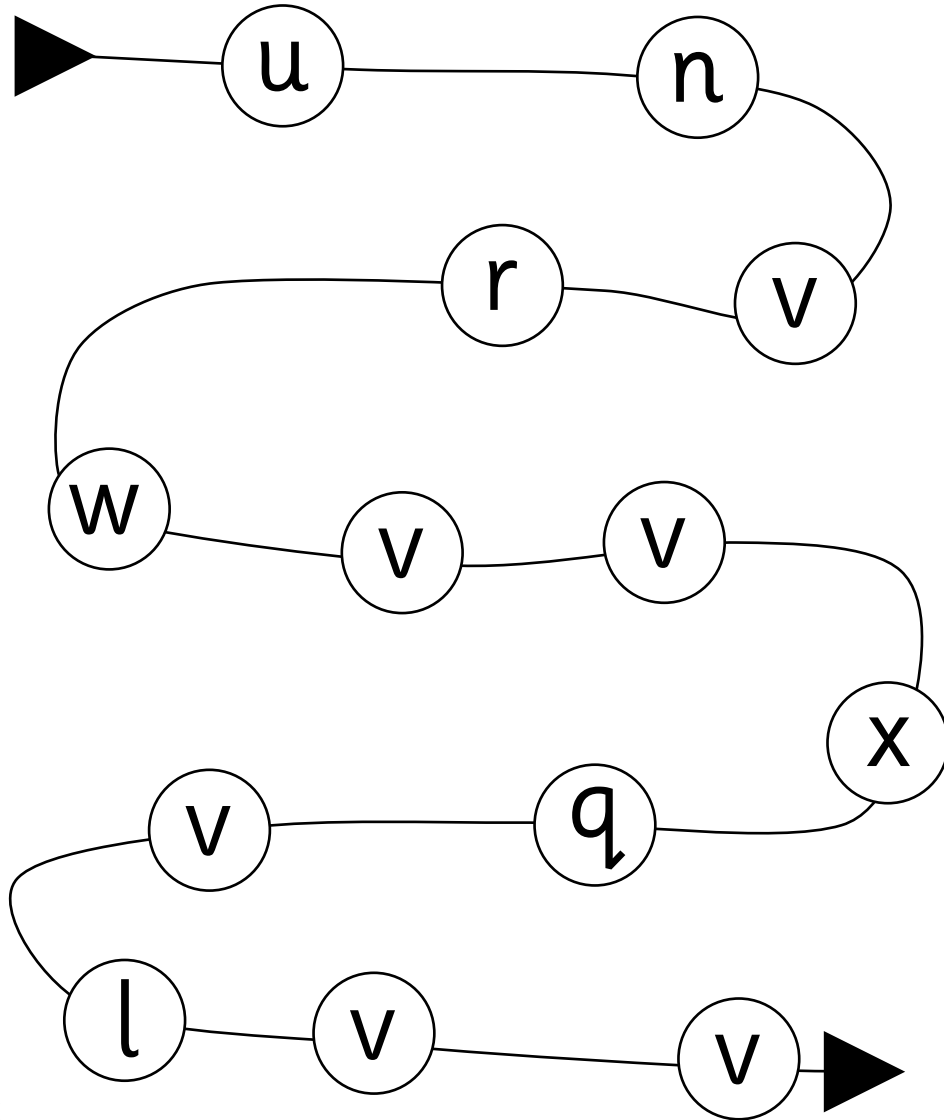
t

Colour in the violin

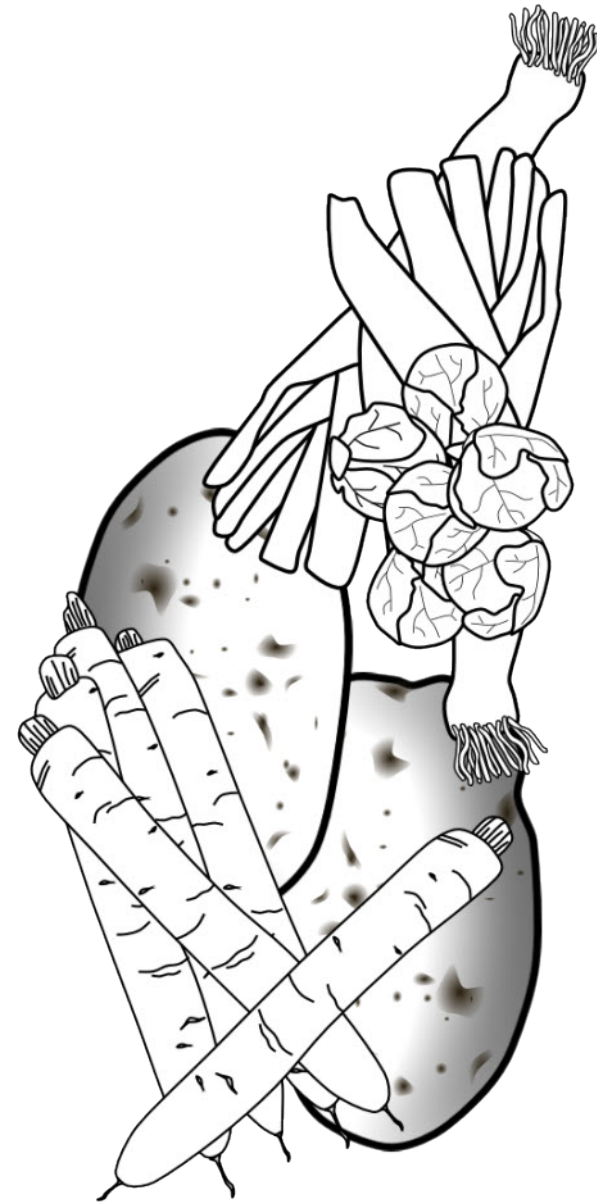


Shout out **V**!

Slowly trace your hand along the line. When you reach a v sound, shout it out!



Colour in the vegetables

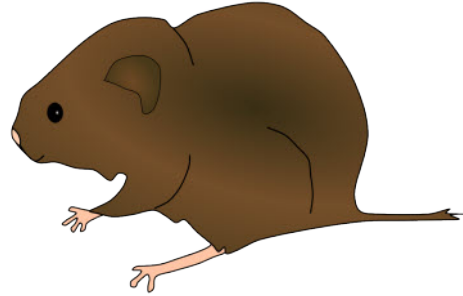


Things that begin with V

Put a line through the one that does not begin with v



violin

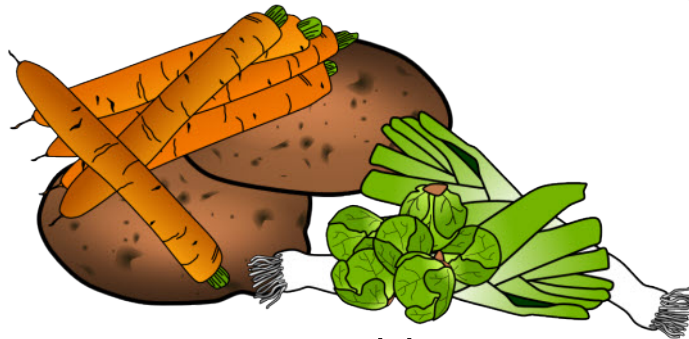
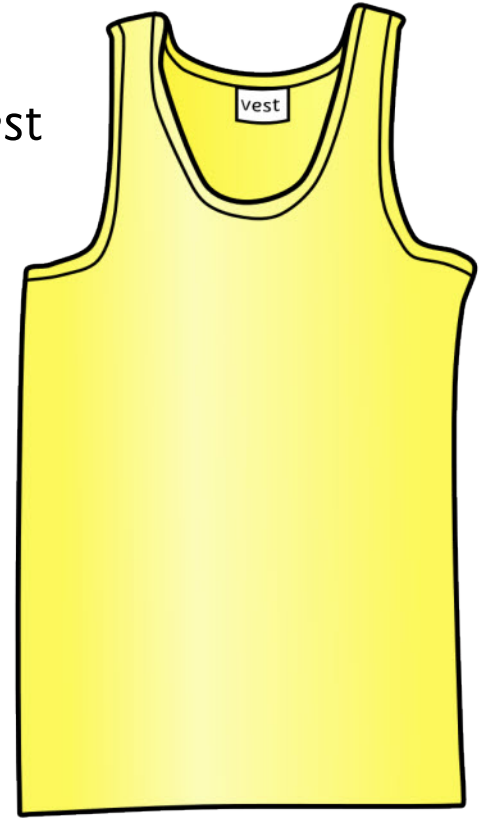


vole

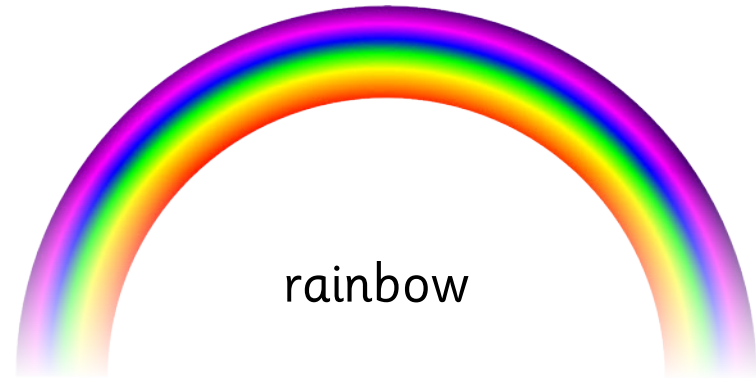


vicar

vest



vegetables



rainbow