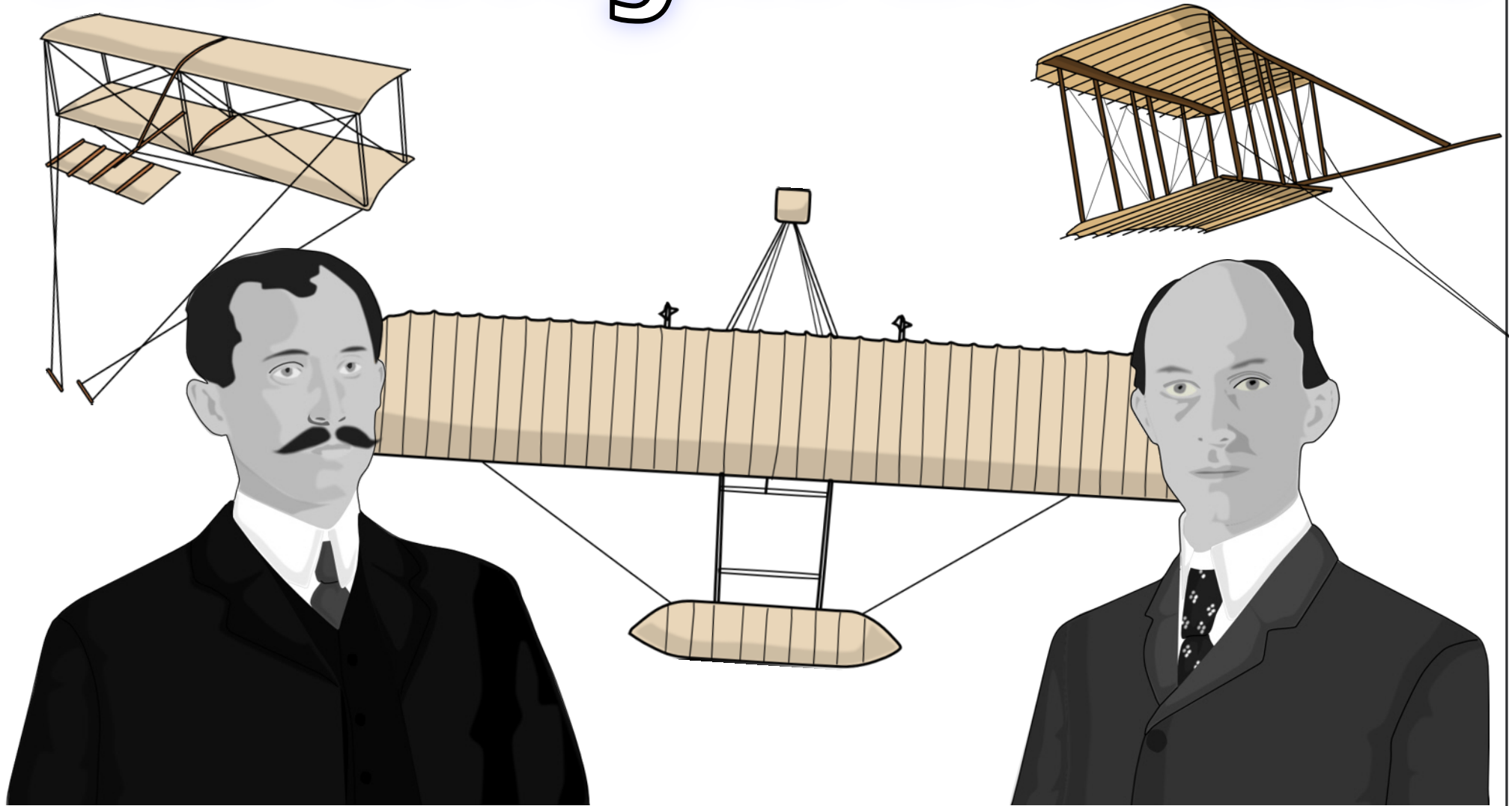
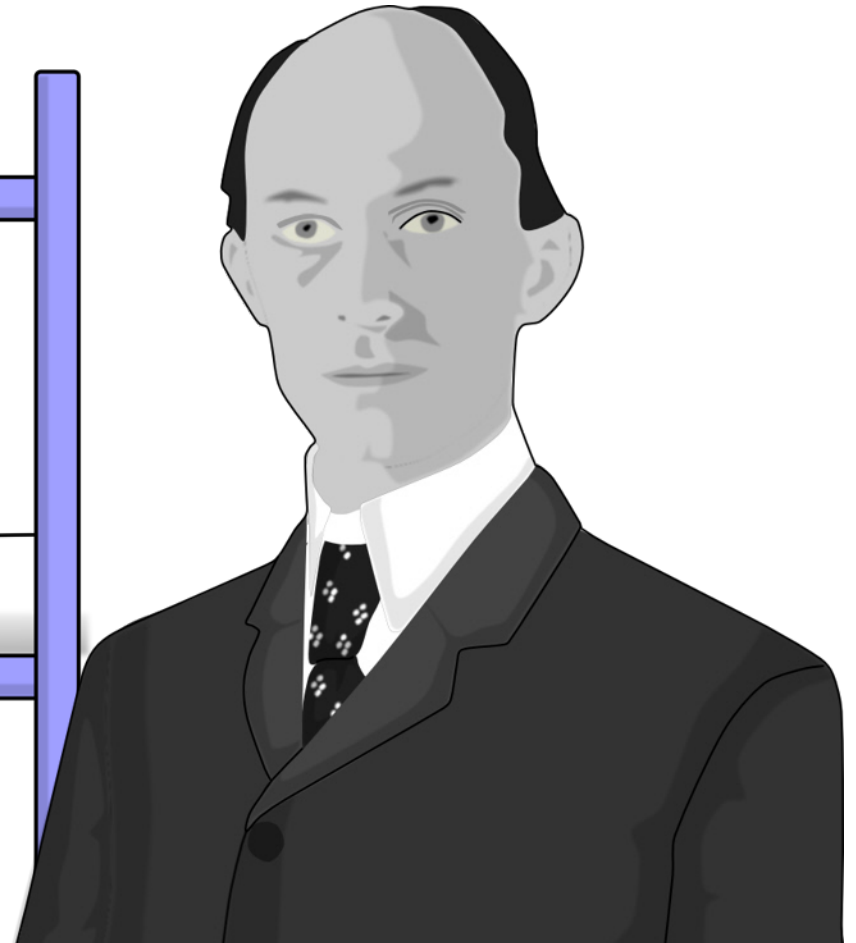
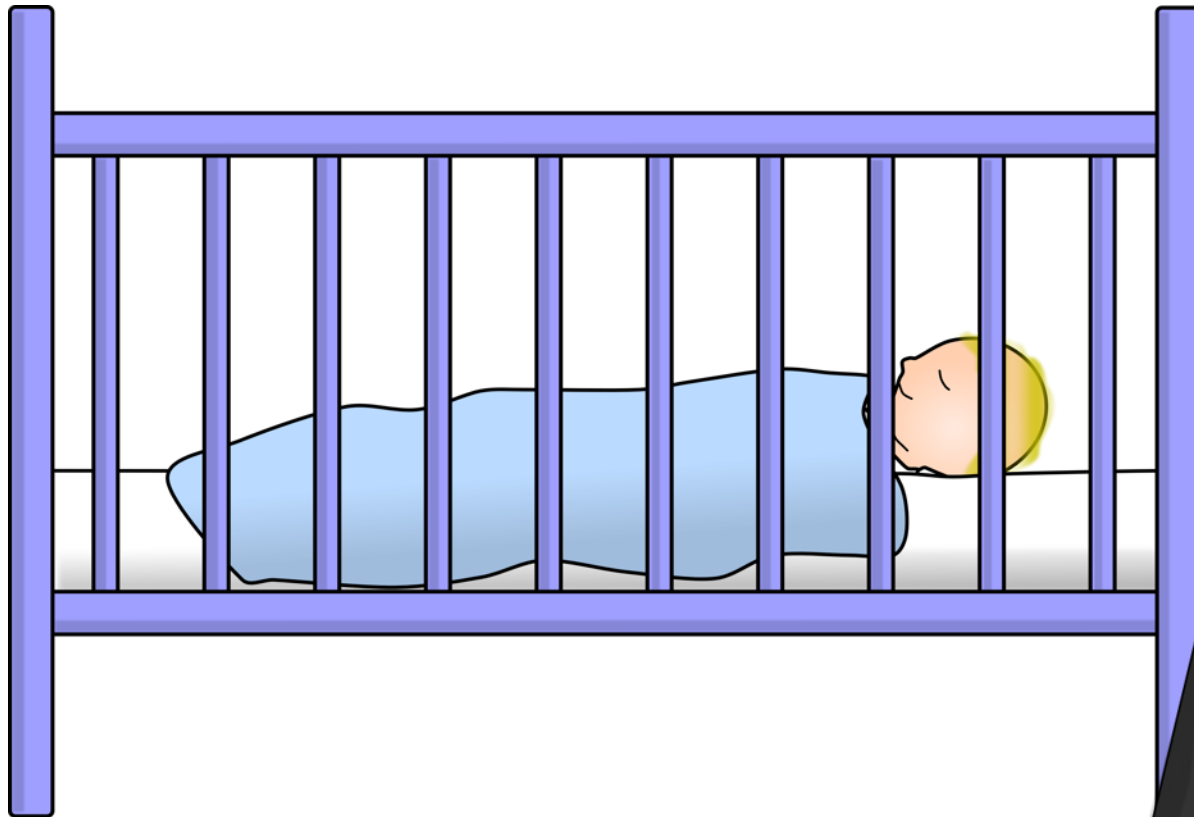


# The Wright Brothers



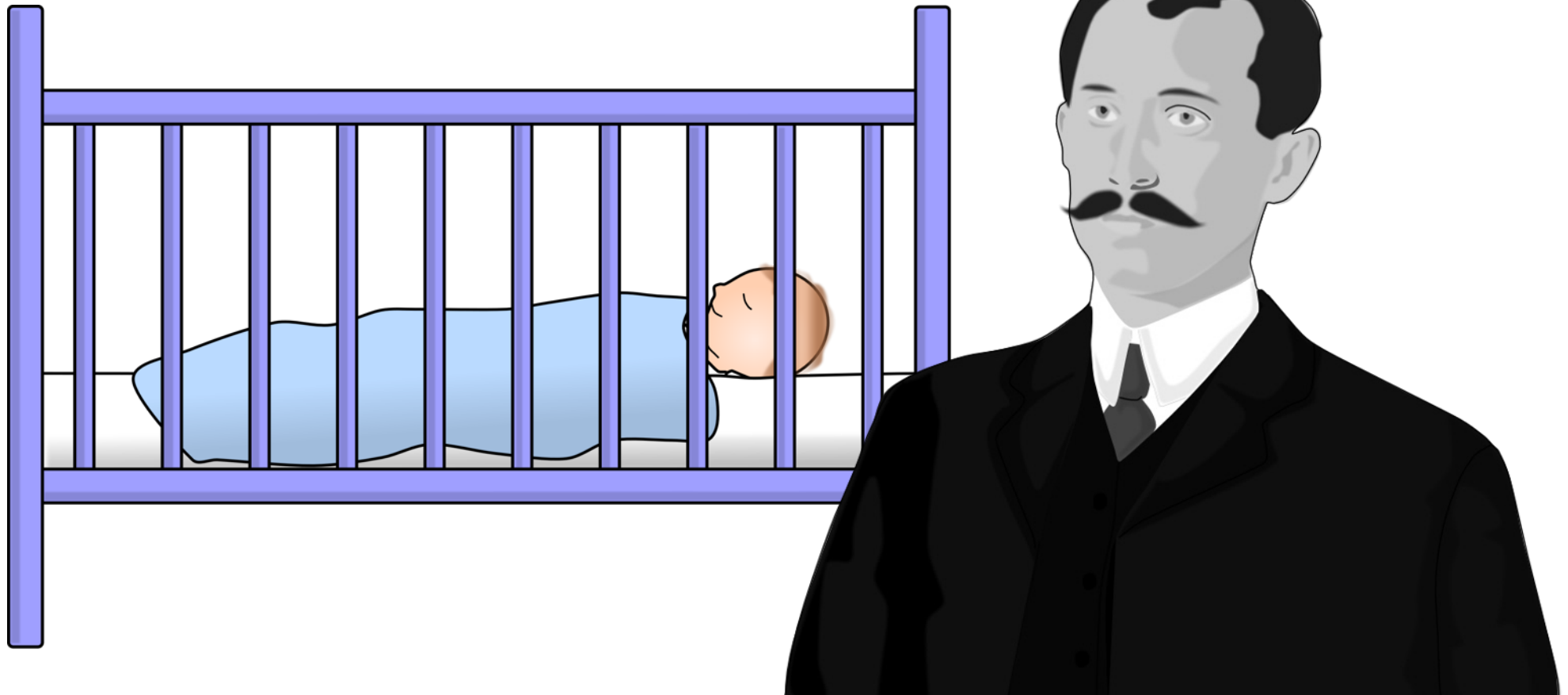
# 1867 16th April

Wilbur Wright is born in Indiana, USA.



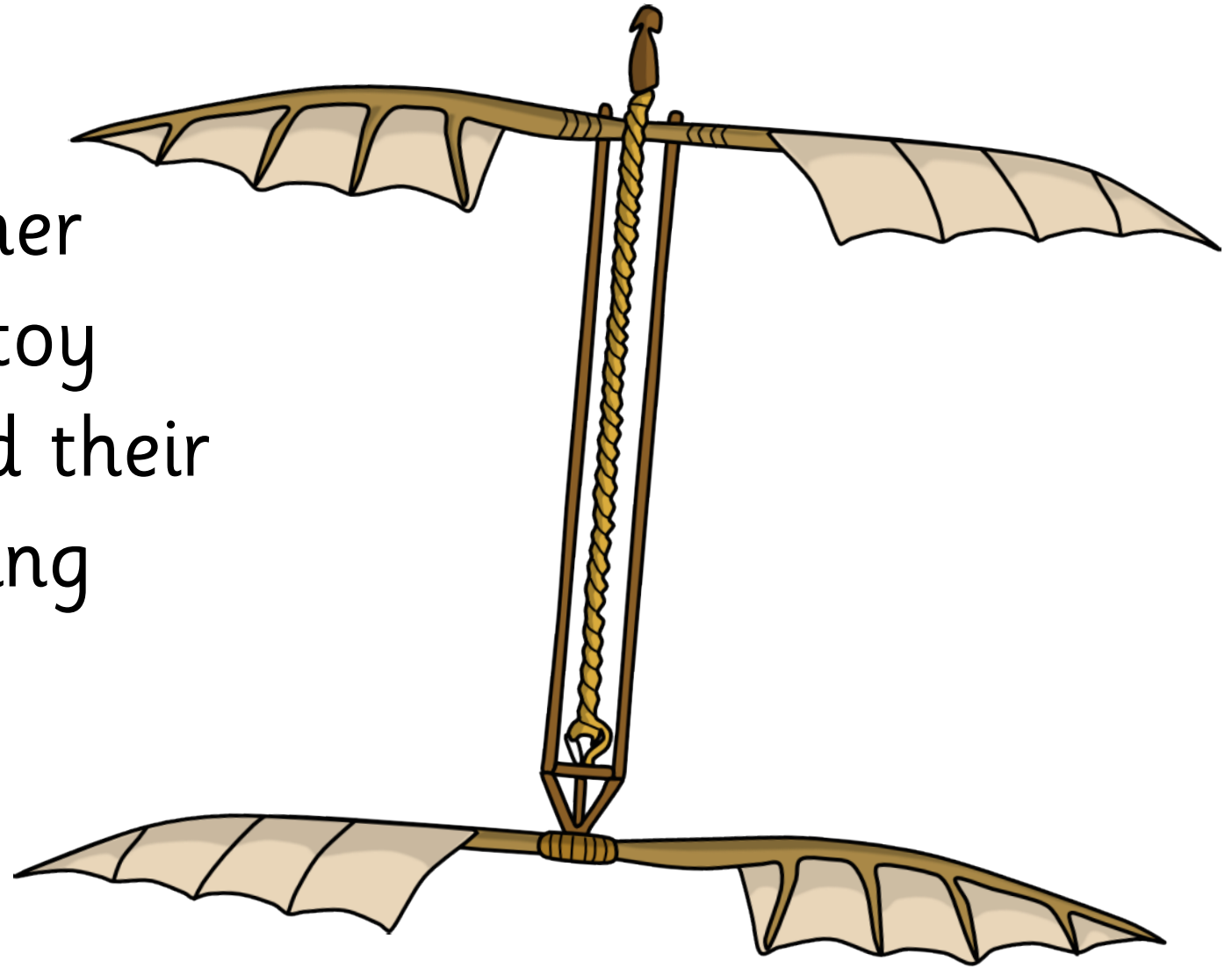
# 1871 19th August

Orville Wright is born in Ohio, USA.



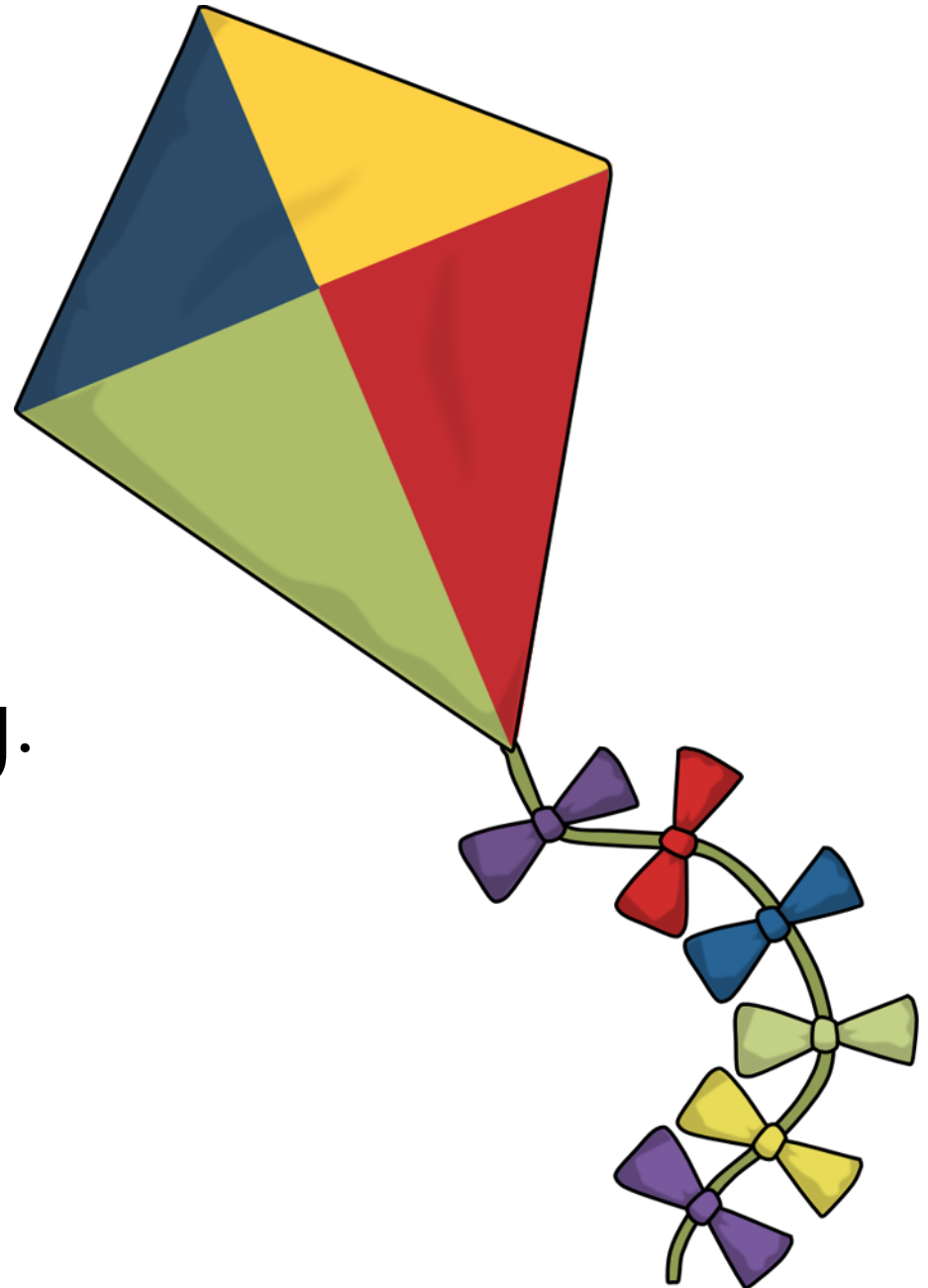
# 1878

The boys' father buys them a toy helicopter and their interest in flying things begins.

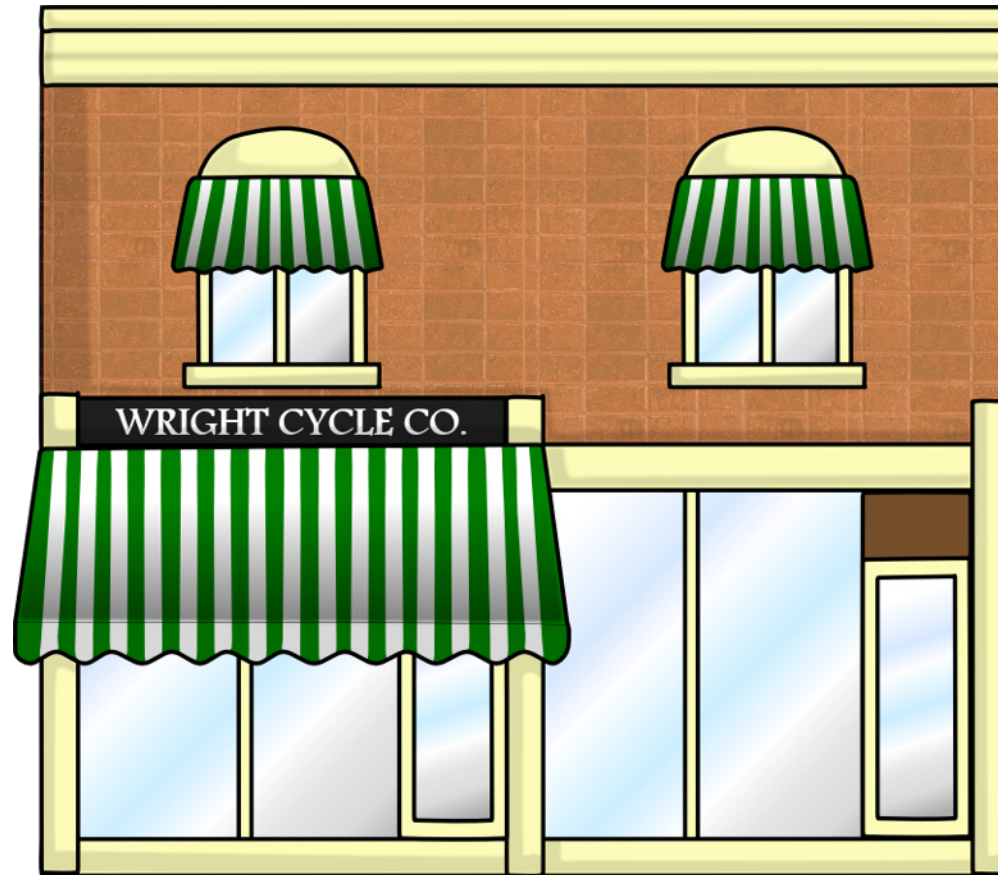


# 1881

Orville begins making his own kites as a hobby.

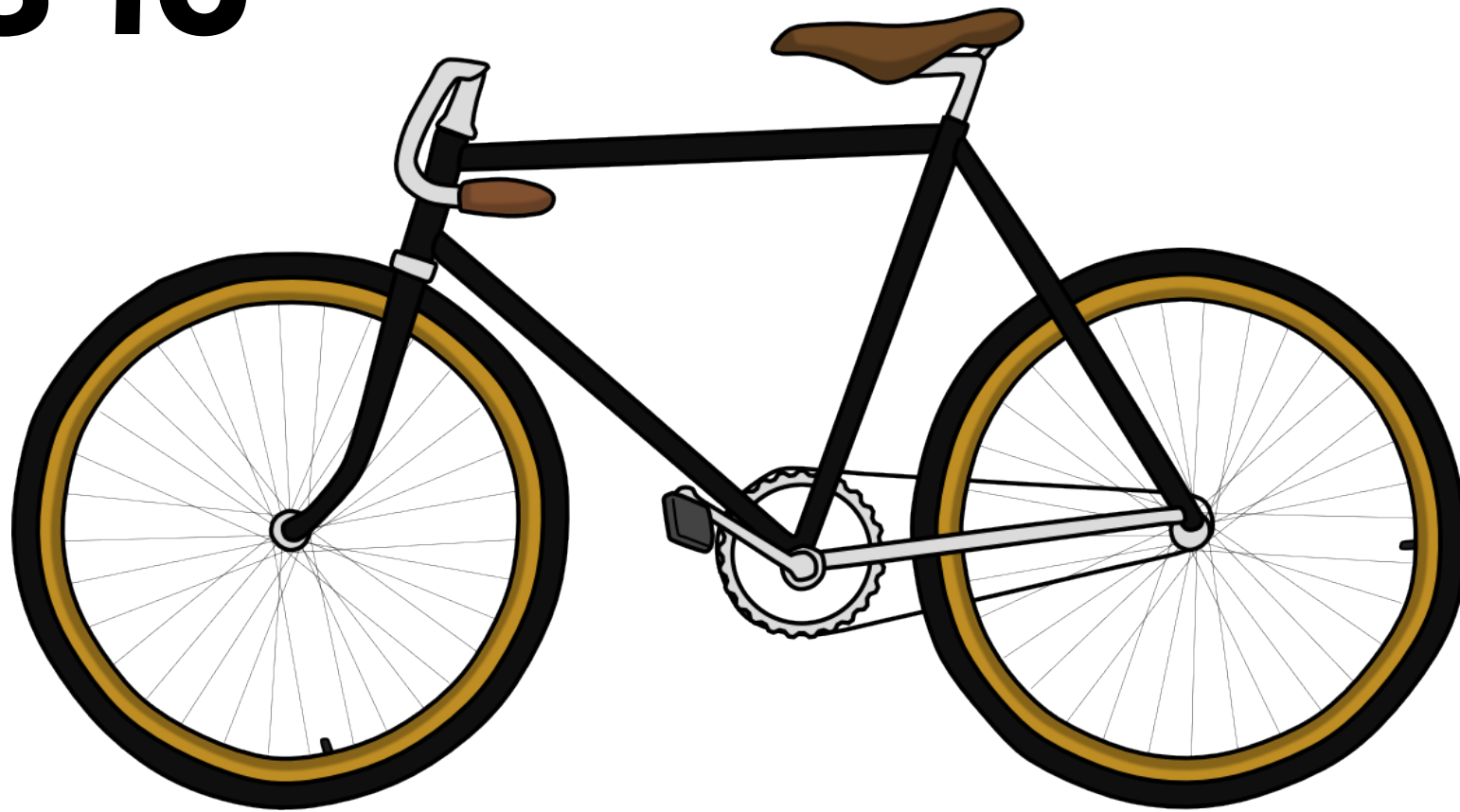


# 1892



The two brothers open a bicycle shop enabling them to practise building things and to earn money to use later.

# 1896



The brothers begin making their own bicycles at their shop.

# 1896 10th August

Famous aeronautical engineer, Otto Lillenthal, dies while trying to fly a glider.

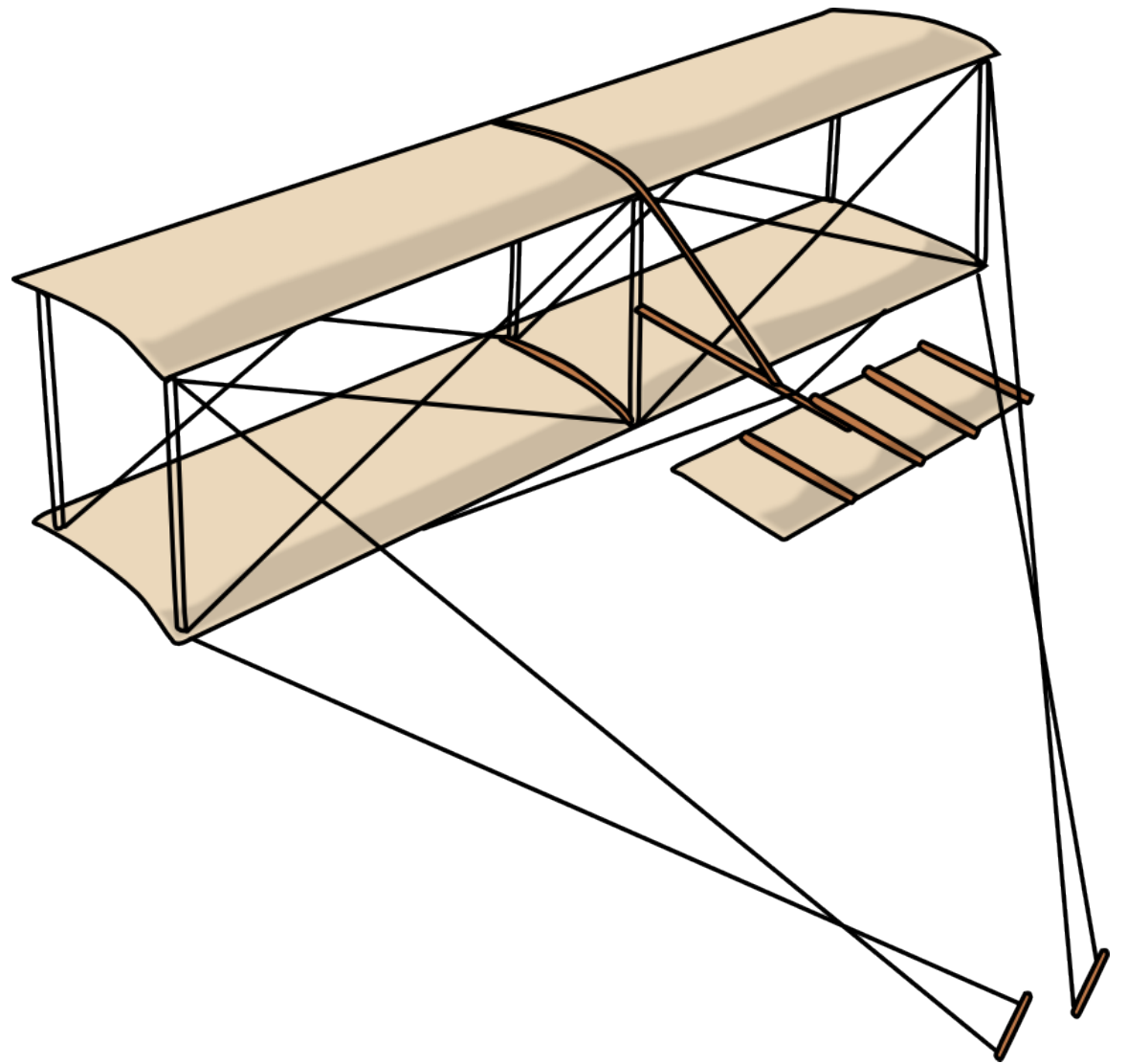
The Wright brothers are reminded of their passion for flying things.



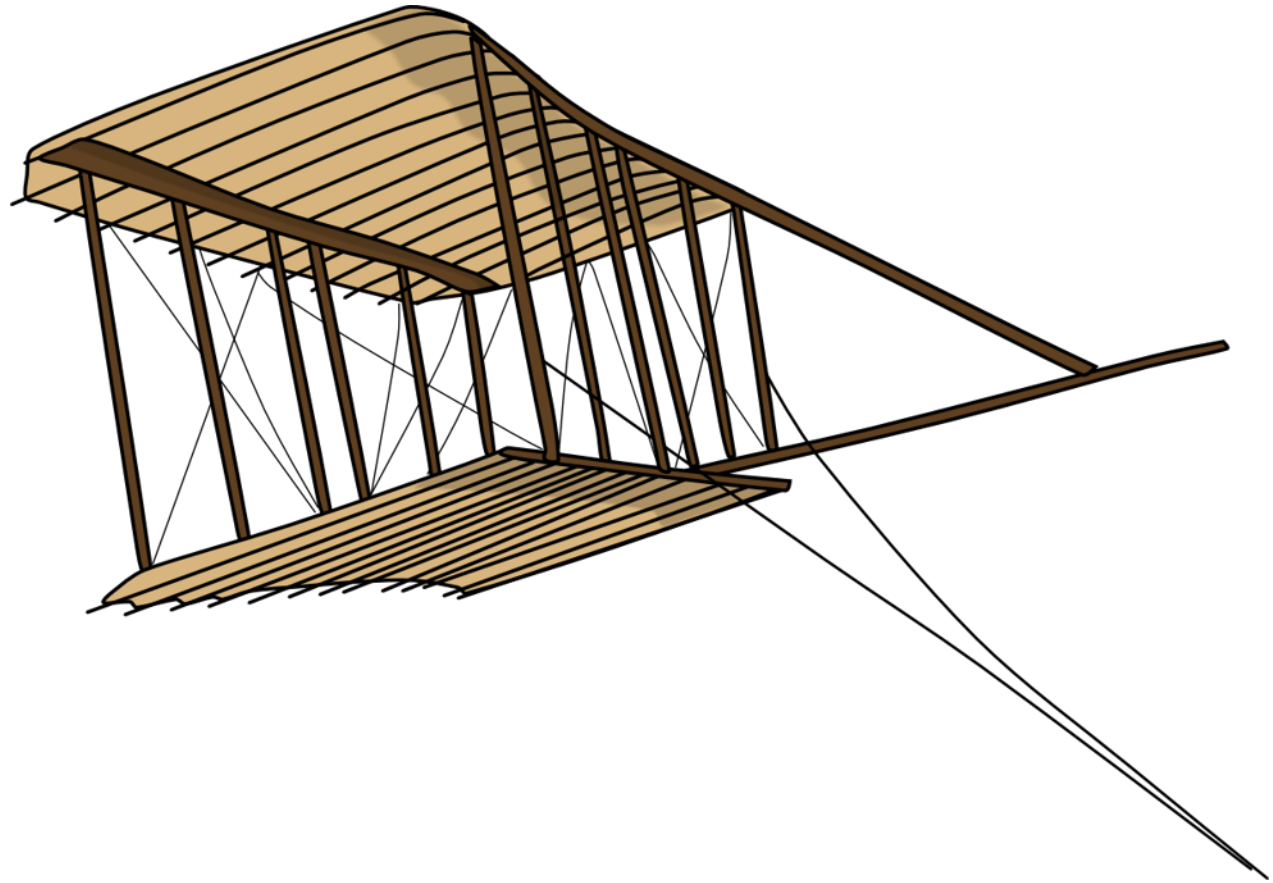


# 1899

The brothers begin testing a special “wing-warping” type of kite.

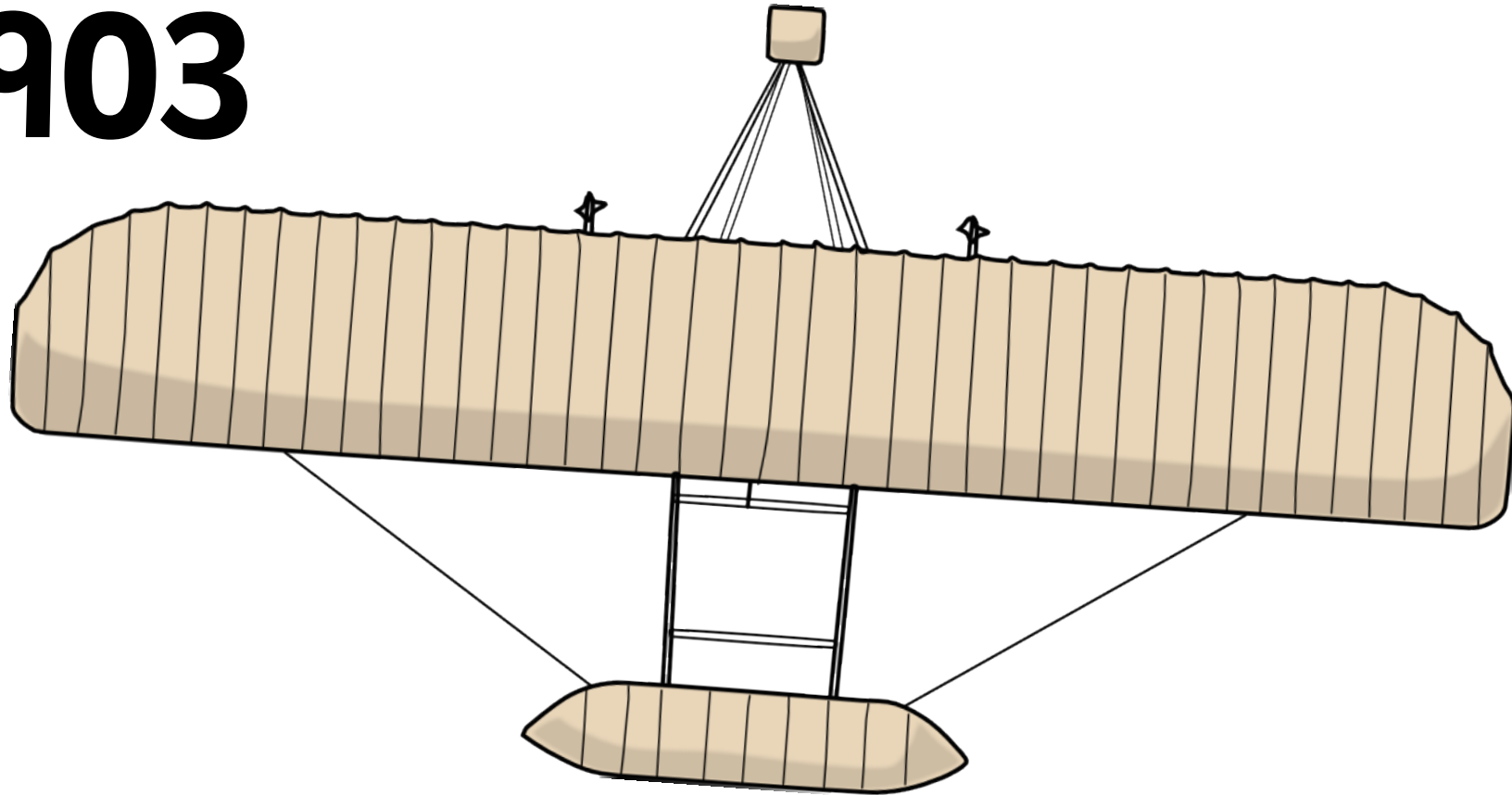


# 1901



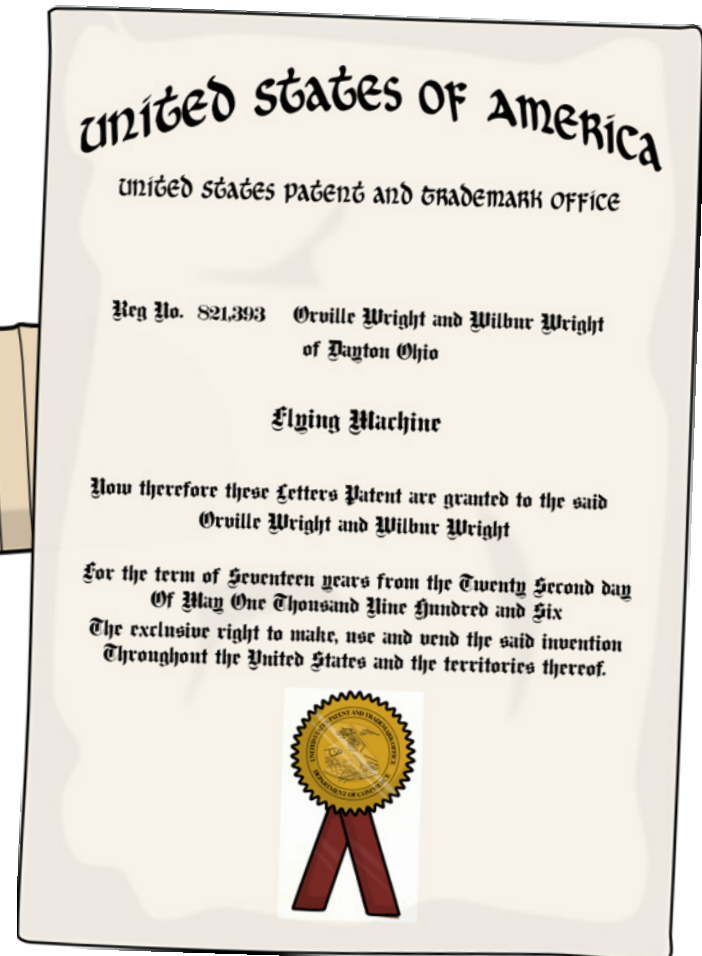
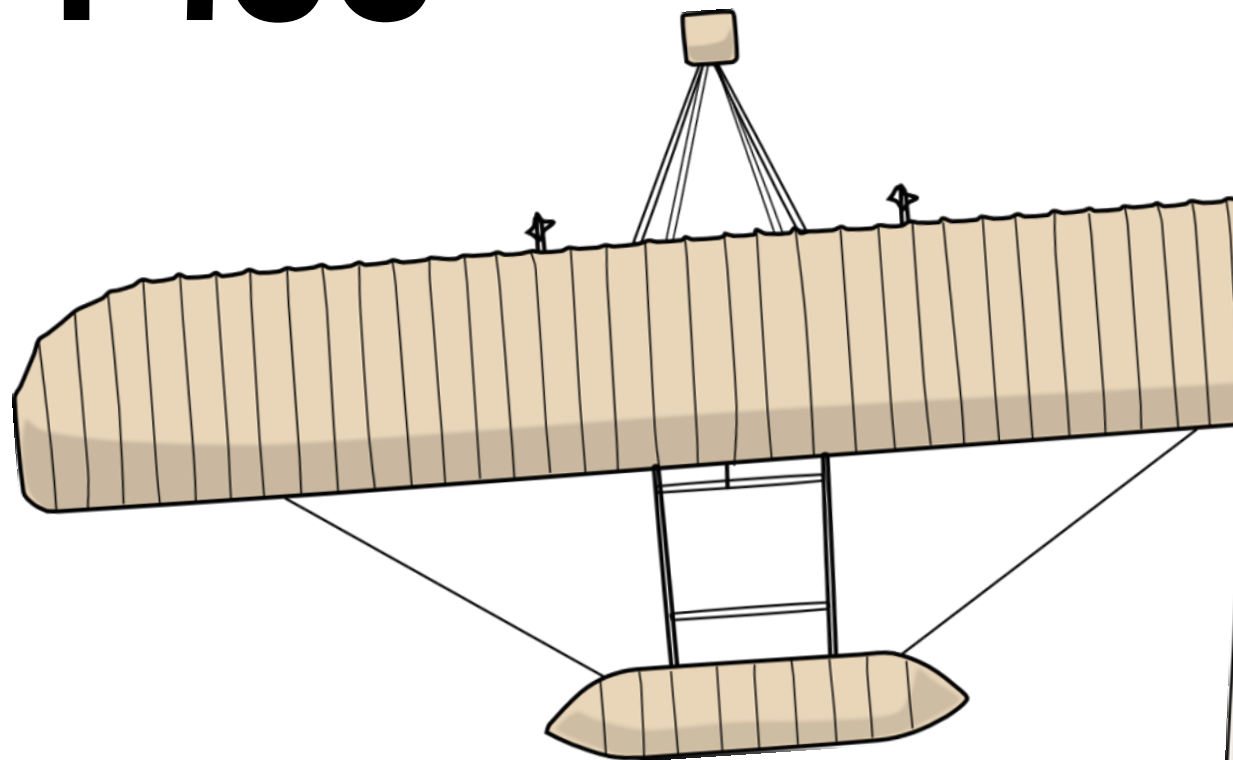
After moving to Kitty Hawk the year before, the brothers continue testing and experimenting with different glider designs.

# 1903



Wilbur and Orville work on adding an engine to their gliders and make the first short powered flights.

# 1906



The Wrights are granted a patent for their flying machine. It is named an aeroplane.

# 1909



The brothers are awarded the Congressional Medal for their work on the aeroplane.