

My book about

O W



bow

This book belongs to

SparkleBox

© Copyright 2011, SparkleBox Teacher Resources
Downloaded FREE from www.sparklebox.co.uk

Can you see ow?

Find all the ow sounds and circle them.

ow

ou

ee

oo

o

e

m

ow

ow

w

or

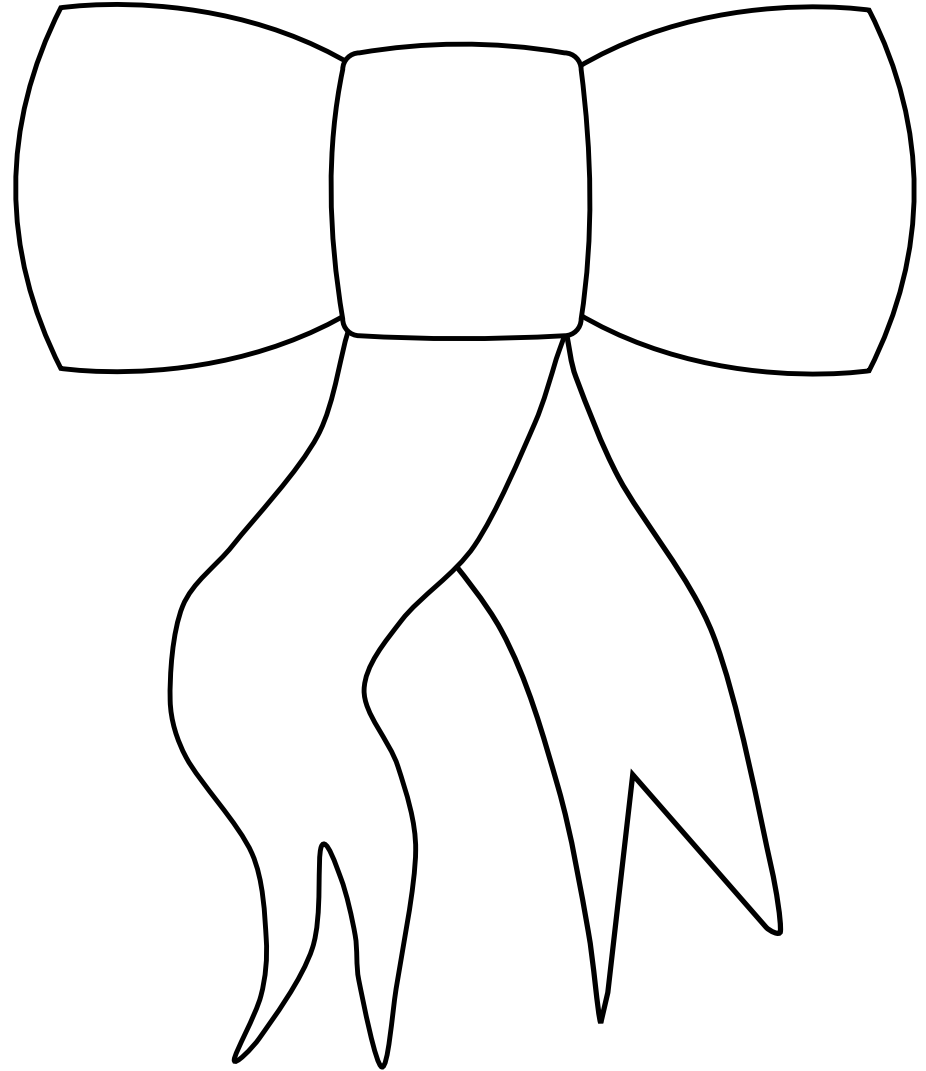
ear

ng

th

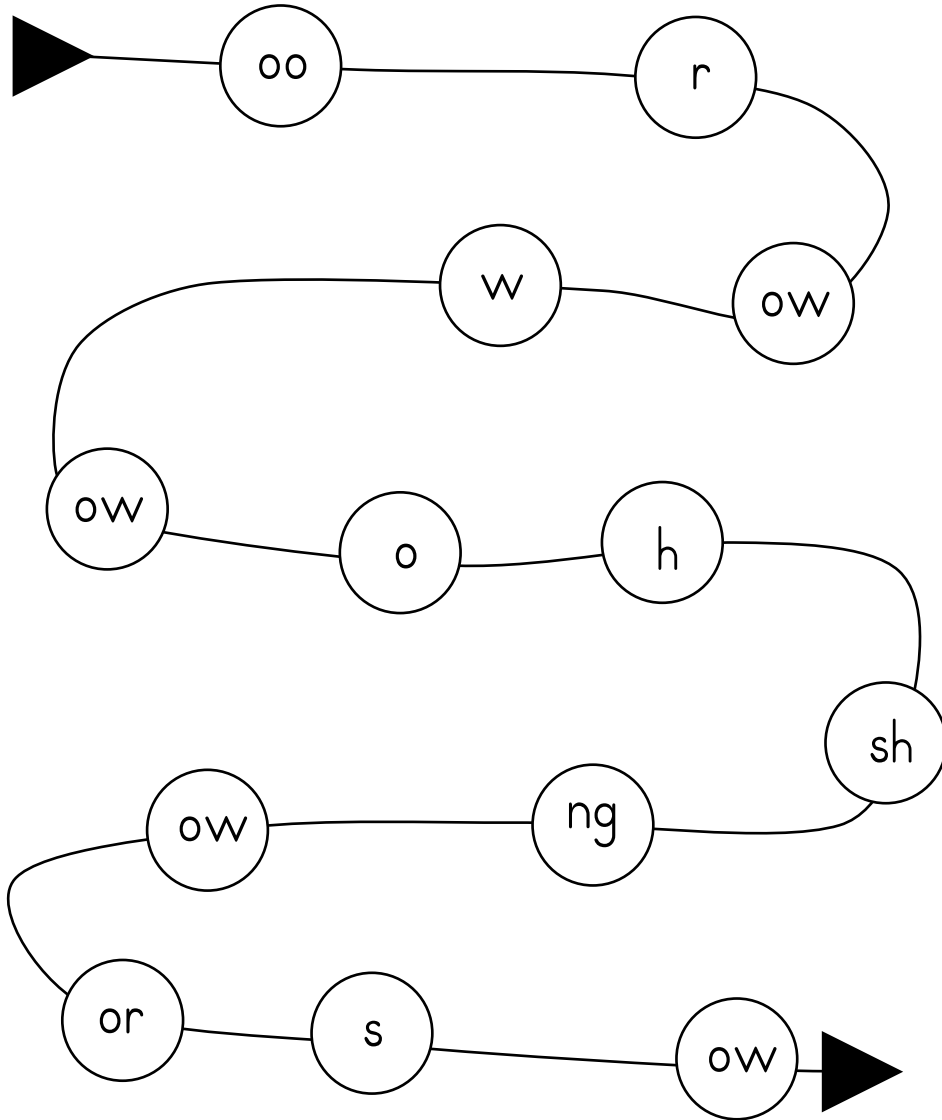
ar

Colour in the bow



Shout out ow!

Slowly trace your hand along the line.
When you reach an ow sound, shout it out!



Color the crow

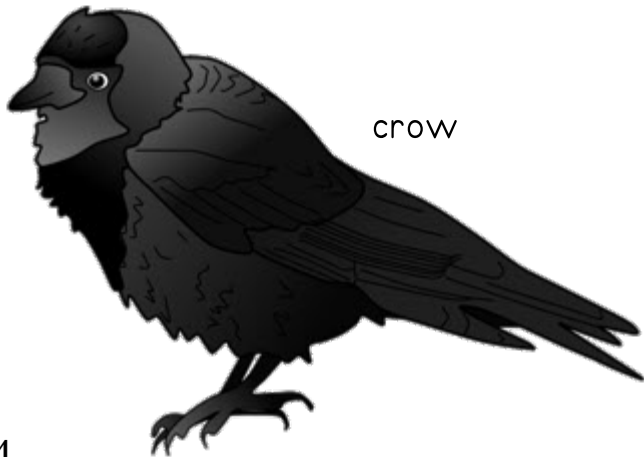


Things that have ow

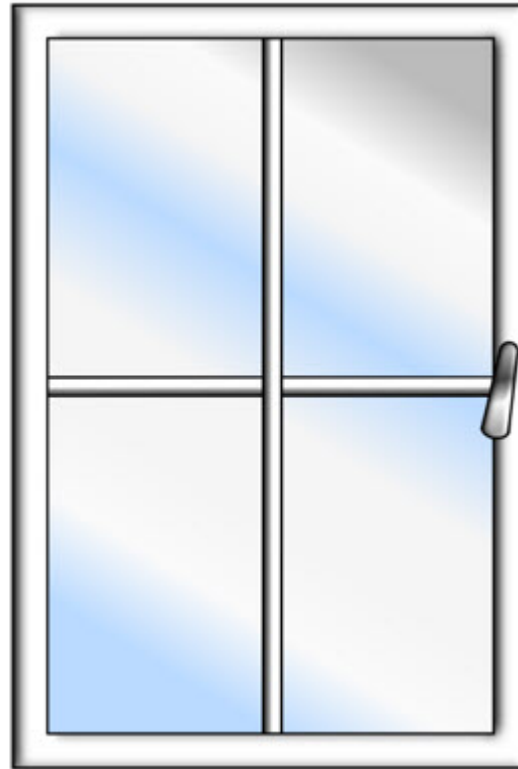
Put a line through the one that does not have ow



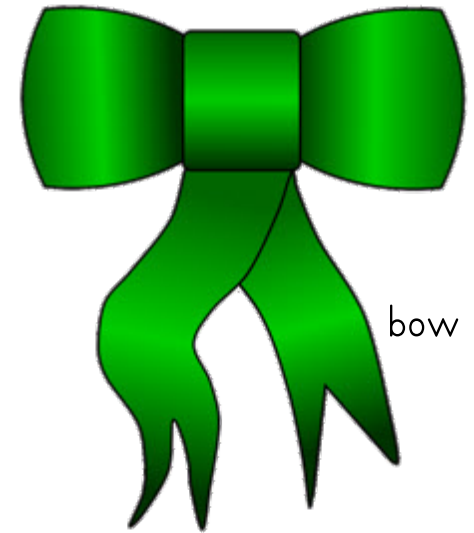
snow



crow



window



bow



socks

glow

