



SJ6826/32 RT

ROUGH TERRAIN SCISSORS

STANDARD FEATURES

- Drivable at full height with roll out deck fully extended
- Crossover symmetrical 4WD
- Multiple wet disc spring applied hydraulic release brakes
- 1.52 m roll out extension deck
- 24hp Kubota Diesel engine
- 90° swing out engine tray
- Relay based control system
- Colour coded and numbered wiring system
- Up to 50% Gradeability
- Foam-filled grip lug tyres
- Wiring for AC outlet on platform
- Tilt alarm with drive & lift cut-out
- Overload sensing system
- Lowering warning system
- Operator horn
- Hinged railing system
- Full height spring hinged gate at rear of unit
- Lanyard attachment point
- Scissor guards
- Forklift pockets and tie down/lift lugs
- Independent/auto leveling outriggers

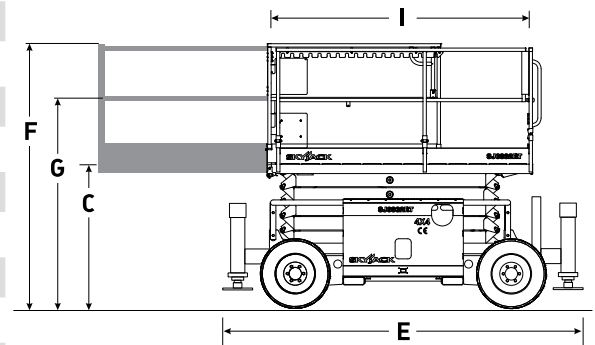
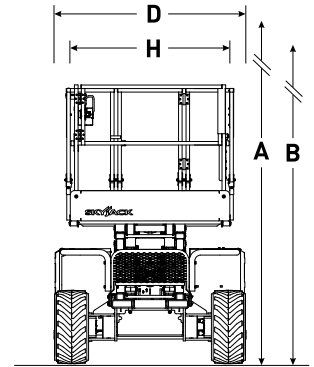
ACCESSORIES AND OPTIONS

- Diesel engine with scrubber
- Flashing light
- Shroud-style control box guard
- 2.0kW hydraulic generator
- Foam-filled grip lug non-marking tyres
- All motion audible alarm

* Capacities, and machine weights may differ when options are added.

SJ6826/32 RT ROUGH TERRAIN SCISSORS

Dimensions	SJ6826 RT	SJ6832 RT
A Work Height	9.92 m	11.75 m
B Raised Platform Height	7.92 m	9.75 m
C Lowered Platform Height	1.23 m	1.37 m
D Overall Width	1.76 m	1.76 m
E Overall Length	3.35 m	3.35 m
F Stowed Height (Rails Up)	2.37 m	2.51 m
G Stowed Height (Rails Down)	1.61 m	1.75 m
H Platform Width (Inside Dimension)	1.42 m	1.42 m
I Platform Length (Inside Dimension)	2.44 m	2.44 m
Specifications	SJ6826 RT	SJ6832 RT
Extension Deck	1.52 m	1.52 m
Ground Clearance	0.20 m	0.20 m
Wheelbase	2.04 m	2.04 m
Weight	3,500 kg	3,781 kg
Gradeability	50%	40%
Turning Radius (Inside)	1.52 m	1.52 m
Turning Radius (Outside)	3.96 m	3.96 m
Lift Time (With Rated Load)	36 sec	39 sec
Lower time (With Rated Load)	36 sec	36 sec
Drive Speed (Stowed)	6.1 km/h	6.1 km/h
Drive Speed (Raised)	0.6 km/h	0.6 km/h
Maximum Drive Height	Full Height	Full Height
Capacity (Overall)	567 kg	454 kg
Distributed Capacity (Main Platform)	431 kg	318 kg
Distributed Capacity (Extension Deck)	136 kg	136 kg
Local Floor Load (With Rated Load)	1206 kPa	1248 kPa
Overall Floor Load (With Rated Load)	13 kPa	14 kPa
Maximum # of Persons (indoor/outdoor)	4/4	4/4 (to 7.92m) 2 (to 9.75m)
Tyre Type	Foam Filled	Foam Filled
Tyre Size	26 x 12	26 x 12



Skyjack UK
 Unit 1, Maes-y-Clawdd
 Maesbury Road Industrial Estate
 Oswestry, Shropshire, SY10 8NN
 Tel: +44 1691 676235
 Fax: +44 1691 676239
 Email: info@skyjackeurope.co.uk

Skyjack SAS (France)
 ZI Le Clairin
 69700 Saint Romain en Gier
 France
 Tel: +33 (0) 4 78 73 53 32
 Tel: +33 (0) 4 78 73 05 68
 Fax: +33 (0) 4 78 56 52 42

**Skyjack Hebebühnen GmbH
 (Germany)**
 Därmannsbusch 2a
 D-58456 Witten
 Tel: +49 (0) 2302 20 26 909
 Fax: +49 (0) 2302 20 25 671

Skyjack AB (Sweden)
 Agnesbergsvägen 28
 424 38 Agnesberg
 Sweden
 Tel: +46 (0) 31 21 22 45
 Fax: +46 (0) 31 787 65 10

www.skyjack.com