

PEAK PRO DOMINATOR DN15/15 DD40BSR1B

with PICV, FMD & Drain Port

PN16

Features & Benefits

- Compact design, with flow and return legs at equal lengths, for simple direct mounting onto terminal unit
- Fitted with Peak Pro with a wide range of settable flows to suit all applications
- Includes Venturi metering station for improved accuracy and pressure drop recovery
- All valves are subject to both a pressure test, in accordance with BS EN 12266-1, as well as a flow limitation test, in accordance to BSRIA BTS1. This provides reassurance of performance and accuracy within each valve
- Bypass unit with integrated 3-way isolation valves
- Flushing valves on flow and return - in accordance with BSRIA BG29
- Integrated dial allowing for calibrated setting of the PICV with integrated test points allowing for ΔP verification

Dimensions & Weights

NOM. SIZE	A (mm)	B (mm)	C (mm)	D (mm)	E (mm)	WEIGHT (kg)
DN15	70	27	33	120	179	2.0

Materials

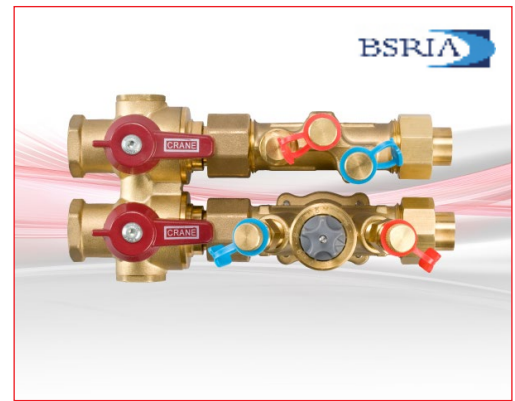
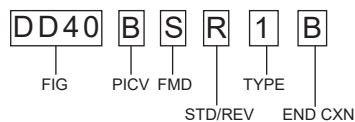
NO.	DESCRIPTION	MATERIAL	QTY
1	H Body Assembly INC Captive Nuts	DZR Brass BS EN 12165 (CW602N)	1
2	DN15 PICV Assembly - Male Ended Low Flow DN15 PICV Assembly - Male Ended Std Flow DN15 PICV Assembly - Male Ended High Flow	A DZR Brass B BS EN 12165 C (CW602N)	1
3	DN15 Venturi & FMD Assembly - High Flow DN15 Venturi & FMD Assembly - Std Flow DN15 Venturi & FMD Assembly - Low Flow DN15 Venturi & FMD Assembly - Ultra Low Flow	H S L U DZR Brass BS EN 12165 (CW602N)	1
4	Compression Connector	A DZR Brass BS EN 12165 (CW602N)	2
	3/4" BSP Solder Nut & Solder Nut Adaptor Plate	B DZR Brass BS EN 12165 (CW602N)	2

NOTE: Sealing gasket and O-rings material are EPDM

PICV Pressure/Temperature Ratings

TEMPERATURE (°C)	0°C to 90°C
PRESSURE (BAR)	16 Bar
OPERATING PRESSURE RANGE ACROSS VALVE (kPa)	20 - 400 (DN15 LF) 25 - 400 (DN15 SF) 40 - 400 (DN15 HF)

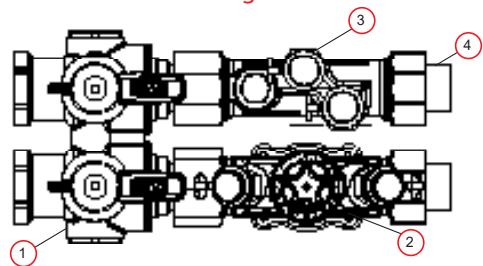
Note: 800 kPa also available on request



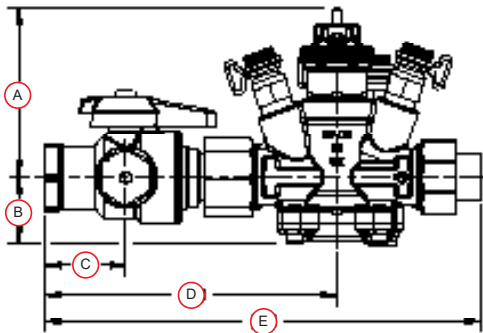
DD40BSR1B shown above

bimstore.co.uk

Dimensional Drawings

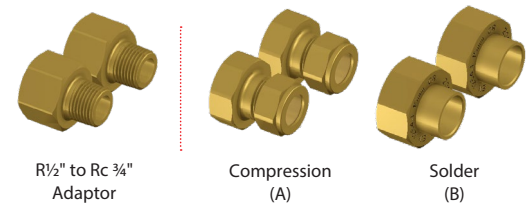


Available in standard or reverse handed orientations. Valve angles can be configured to suit fan coil requirements.



Adaptors

End Connections



PRESSURE RATING: PN16

TEMPERATURE RATING: 0 to 90°C

END CONNECTIONS:

Flushing bypass body - BSP Taper

Terminal end - Compression/Solder

SPECIFICATION DZR Terminal unit valve set to be a pre-assembled unit as supplied by a single manufacturer. Unit to include a flushing bypass with integral isolation valves, PICV and venturi style FMD. Flow rate to be adjustable between 0.008 – 0.37l/s, dependent on variant. Connections to be flat face union connections between components with female BSPT on system side and compression/solder on terminal side. Unit to be manufactured from DZR Brass to BS EN 12164/5 CW602N. Valve assembly will be labelled to include the terminal unit reference number, service and flow rate. As per Crane Dominator – Peak Pro.

Every effort has been made to ensure that the information contained in this publication is accurate at the time of publishing. Crane Ltd assumes no responsibility or liability for typographical errors or omissions or for any misinterpretation of the information within the publication and reserves the right to change without notice.

MADE IN BRITAIN

TECHNICAL HELPLINE: +44 (0)1473 277400
E: enquiries@cranefs.com W: www.cranefs.com

CRANE