



AVPRO INC.
Performance. Integrity. Reputation.



PLAY VIDEO



Maintenance
Program



Passengers
8

2000 Learjet 45 | SN 45-104

2000 Learjet 45 | S/N: 45-104 | N726MJ

AIRCRAFT LISTING DETAILS:

Total Hours: 4016

Total Landings: 3137

Engines: Honeywell TFE731-20AR-1B

#1	#2
----	----

Total Hours:	4016	3981
--------------	------	------

Engine Cycles:	3137	3111
----------------	------	------

Serial Numbers:	P-116198C	P-116199C
-----------------	-----------	-----------

APU: Honeywell RE100

Total Hours: 2549

Total Cycles: 3947

AIRCRAFT HIGHLIGHTS:

- Engines & APU Enrolled on MSP Gold
- ADS-B Out v.2 Compliant (CMD STC installed by West Star-GJT)
- Increased 21,500 lb. Max Gross Take Off Weight (SB 45-11-4)
- Increased 16,500 lb. Zero Fuel Weight (SB 45-11-5)
- Honeywell Phase VI Avionics Upgrade (Supersedes Phase IV Avionics Upgrade)
- TCAS 7.1 (SB 45-34-32)
- Honeywell CVR-120 Cockpit Voice Recorder
- L3 FA2100 Flight Data Recorder
- Phase B/C Inspections c/w July 2018 @ West Star-GJT

AVIONICS:

- Honeywell Primus 1000 Avionics Suite w/ 4 Tube EFIS
- Four Honeywell DU-870 Display Units
- Honeywell GC-550 Autopilot/Flight Guidance Controller
- Dual Honeywell AH-800 AHRS
- Dual Honeywell RC-833 Comms w/ 8.33 KHz Spacing
- Dual Honeywell RNZ-851 Navs w/ FM Immunity
- Dual Honeywell AT-860 ADF
- Dual Honeywell Mode S Transponders
- Dual Universal UNS-1C FMS's
- Honeywell KGS-200 WAAS/GPS
- Universal DTU-100 Data Transfer Unit
- Honeywell RT-300 Radar Altimeter
- Honeywell Mark V EGPWS w/ Windshear
- Honeywell RT-9510 TCAS 2000 w/ 7.1
- Honeywell WU-880 Primus-880 Digital Weather Radar w/ Turbulence Detection
- Honeywell KHF-950 HF Radio w/ SELCAL
- Honeywell CVR-120 CVR
- L3 FA2100 Solid State FDR
- Artex 406 Mhz ELT

2000 Learjet 45 | S/N: 45-104 | N726MJ

ENTERTAINMENT:

- Airshow 400
- Audio International 10.4" Forward Bulkhead Mounted LCD Monitor
- Audio International 10-Disc CD Player/Changer
- DVD Player

WEIGHTS:

Increased 21,500 lb. Max Gross Take Off Weight (SB 45-11-4)*

Increased 16,500 lb. Zero Fuel Weight (SB 45-11-5)*

* Denotes Service Bulletin Prerequisite for BR Engine Upgrade (SB 45-72-1)

NAVIGATION COMPLIANCE:

- ADS-B Out v.2 Compliant (CMD STC installed by West Star-GJT)
- Honeywell RT-9510 TCAS 2000 w/ 7.1
- RVSM Compliant

INSPECTION STATUS:

Inspection	Last C/W	Next Due
Phase A	Nov '19 @ 4,006 hrs	Nov '20 @ 4,306 hrs
Phase B	July '18 @ 3,976 hrs	Jun. '20 @ 4,576 hrs
Phase C	July '18 @ 3,976 hrs	May '22 @ 5,176 hrs
Phase D	Jun. '16 @ 9,803 hrs	Jun. '24 @ 6,203 hrs

2000 Learjet 45 | S/N: 45-104 | N726MJ

FEATURES/OPTIONS:

- Belted Lavatory Potty Seat
- Two (2) Mid Cabin Opposing Pyramid Storage Cabinets
- Fold Down Lavatory Storage Shelf
- MAPCO Warming Oven
- Tail Cone Baggage Restraint Net
- Aircraft Locking Package
- Tail/Logo Illumination lights
- Exterior Lighting Package
- Pulse Recognition Lights
- Four (4) 220v AC Outlets

INTERIOR:

Eight (8) passenger executive cabin configured in double club seating groups. Forward full service galley contains warming oven and master controls for audio/visual equipment. Cabin entertainment options include Airshow and DVD players displayed on forward 10.4" bulkhead monitor. The fully enclosed, private aft lavatory includes additional baggage storage with fold down shelf, and a belted lavatory seat.

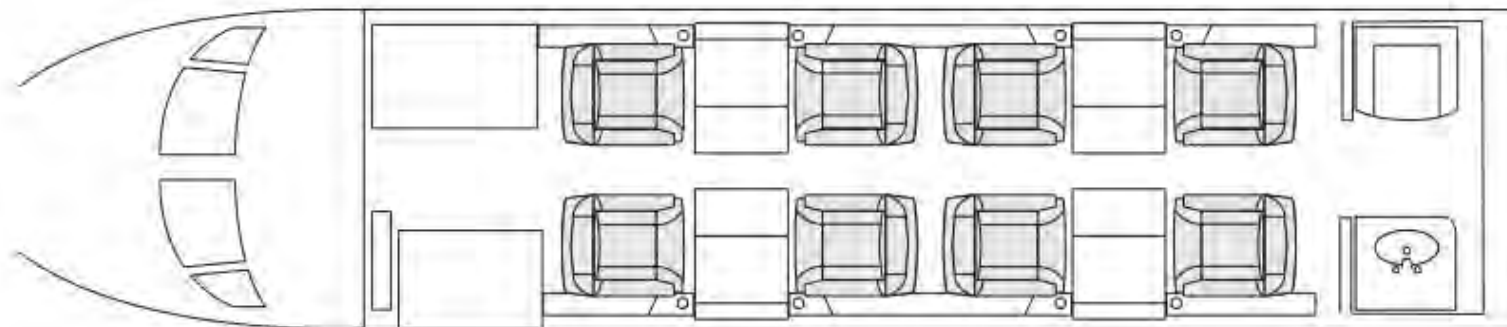
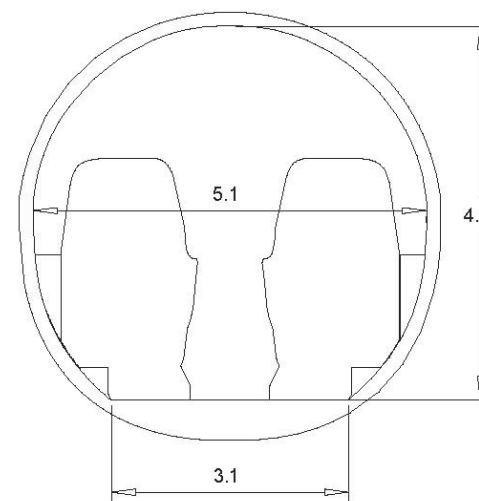
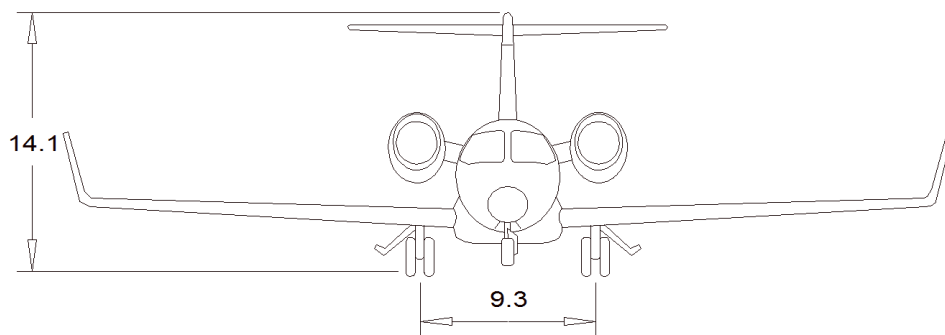
Seats are upholstered in tan leather, with complimenting Sage colored carpeting, light beige upper sidewalls and headliner. Woodwork is finished in a medium, high gloss veneer. Satin Nickel plating is found on hardware throughout the cabin.

EXTERIOR:

Overall Matterhorn White with Blue, Gray and Silver Accent Striping.

As the aircraft is always hangared, paint is in very good condition.

2000 Learjet 45 | S/N: 45-104 | N726MJ



2000 Learjet 45 | S/N: 45-104 | N726MJ



2000 Learjet 45 | S/N: 45-104 | N726MJ



2000 Learjet 45 | S/N: 45-104 | N726MJ



2000 Learjet 45 | S/N: 45-104 | N726MJ



2000 Learjet 45 | S/N: 45-104 | N726MJ



2000 Learjet 45 | S/N: 45-104 | N726MJ



2000 Learjet 45 | S/N: 45-104 | N726MJ



2000 Learjet 45 | S/N: 45-104 | N726MJ



2000 Learjet 45 | S/N: 45-104 | N726MJ



2000 Learjet 45 | S/N: 45-104 | N726MJ



2000 Learjet 45 | S/N: 45-104 | N726MJ



**AVPRO IS ONE OF THE WORLD'S
LARGEST INTERNATIONAL AIRCRAFT
BROKERAGE AND ACQUISITION FIRMS:**

We perform for our clients, averaging one transaction a week. We match aircraft to your specifications in a professional and timely manner, allowing you to concentrate on your business, leaving the important details of marketing, market research, negotiating, and contracting to us.

Whether buying, selling or leasing a new or pre-owned aircraft, Avpro is committed to providing superior customer service and creating mutually beneficial long-term customer relationships.

When it's time to buy, lease or sell an aircraft, you want to deal with Avpro, a firm known for its Performance for our clients, Integrity in the way we do business, and Reputation as the key ingredient for future business.

We're one of the world's largest international brokerage, acquisition, and aircraft consulting firms. We specialize in corporate, business and private jet aircraft. We've earned our impressive record by doing one thing very well - providing superior customer service and creating beneficial long-term customer relationships.



Celebrating
25
YEARS



PLEASE CALL US TO DISCUSS HOW WE CAN BEST SERVE YOU:

Donald P. Bass
Managing Partner
dbass@avprojets.com

Christopher J. Ellis
Managing Partner
cellis@avprojets.com

Robert W. Rabbitt, Jr.
Managing Partner
brabbitt@avprojets.com