



**AVPRO** INC.  
*Performance. Integrity. Reputation.*



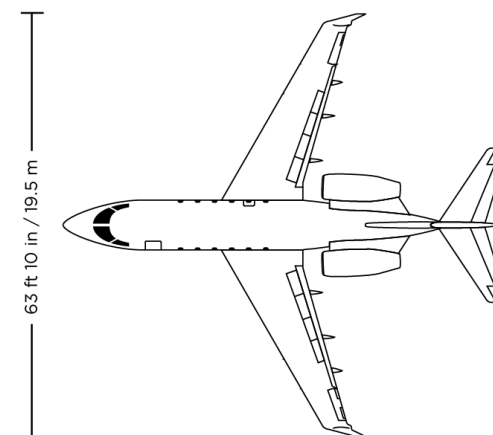
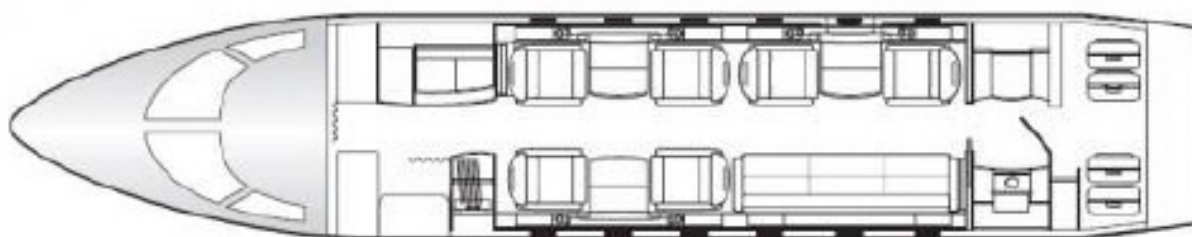
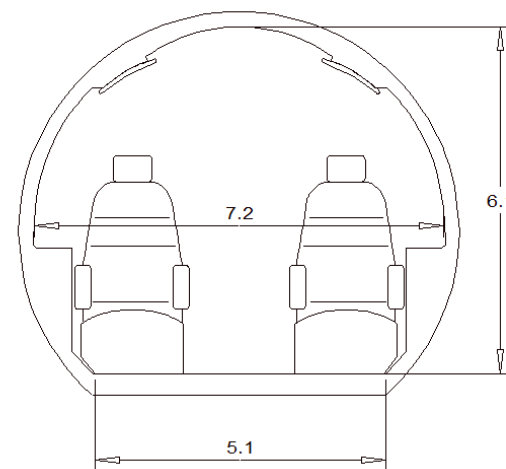
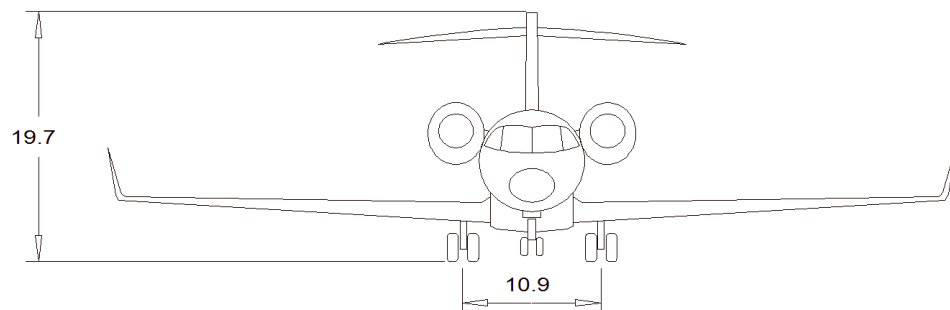
Maintenance  
Programs



Passengers  
9

2006 Challenger 300 | SN 20106

2006 Challenger 300 | S/N: 20106 | G-KALS



2006 Challenger 300 | S/N: 20106 | G-KALS

**AIRCRAFT LISTING DETAILS:**

Total Hours: 3992  
Total Landings: 2798

Engines: Honeywell HTF7000

	#1	#2
Total Hours:	3992	3992
Engine Cycles:	2798	2798
Serial Numbers:	P118321	P118322

APU: Honeywell 36-150BD

Total Hours: 4792  
Serial Number: P-216

**AIRCRAFT HIGHLIGHTS:**

- Engines & APU Enrolled on MSP Gold
- Enrolled on Smart Parts
- Optional Management Package (*Flight Crew & Operational Support*)
- 48 Month Inspection c/w October 2018
- JAR-OPS 1/EASA Compliant

**AVIONICS:**

- Collins Pro Line 21 4-Tube EFIS
- Dual Collins FGC-3002 Flight Guidance Computer
- Dual Collins CDU-5200 Control Data Unit (CDU)
- Dual Collins ADC-3000 Air Data Computers (ADC)
- Dual Collins AHC-3000 Attitude Heading Computer (AHC)
- Triple Collins VHF-4000 VHF COMMs
- Dual Collins NAV-4000 NAVs
- Dual Collins Pro Line 21 Automatic Direction Finders (ADF)
- Dual Collins DME-4000 Distance Measuring Equipment (DME)
- Dual Collins TEDR-94D Mode S Transponders
- Dual Collins FMC-5000 Flight Management System (FMS)
- Dual Collins GPS-4000A GPS
- Dual Collins HF-9000 HFs
- Dual Collins ALT-4000 Radar Altimeter
- Dual Collins TWR-850 Weather Radar
- Dual Collins FDU-3000 Flux Detector Unit
- Collins TTR-4000 w/Change 7.1
- Mark VIII EGPWS w/Windshear
- L3 Technologies Flight Data Recorder (FDR)
- L3 Technologies Cockpit Voice Recorder (CVR)
- Artex C406-N ELT

2006 Challenger 300 | S/N: 20106 | G-KALS

#### CONNECTIVITY:

- ICG Iridium ICS-200 SATCOM

#### ENTERTAINMENT:

- Airshow 4000
- Forward & Aft Cabin LCD Bulkhead Monitors
- DVD/CD/MP3 Player

#### MAINTENANCE PROGRAMS:

- Engines & APU Enrolled on MSP Gold
- Enrolled on Smart Parts
- CAMP

#### NAVIGATION COMPLIANCE:

- Collins TTR-4000 w/Change 7.1
- JAR-OPS 1/EASA Compliant

#### FEATURES/OPTIONS:

- Optional Management Package (Flight Crew & Operational Support)
- Over Water Flight Kit
- Accordion Window Shades
- Microwave

#### INTERIOR:

Well-appointed nine (9) passenger interior featuring a forward galley followed by a four (4) place club arrangement with pull-out tables. The aft cabin offers a two (2) place club opposite a three (3) place divan. Aft passenger lavatory.

The individual chairs are completed in a two-tone designer style; the seat and back portions of the chairs are covered in a light tan leather; the arms and footrests are completed in a contrasting dark burgundy colored leather; the divan is covered in matching tan leather. The cabinetry is a high gloss dark veneer complimented by gold colored plating and gold inlay on the pull-out tables.

#### EXTERIOR:

Overall White with Burgundy & Silver Accent Striping.

2006 Challenger 300 | S/N: 20106 | G-KALS



2006 Challenger 300 | S/N: 20106 | G-KALS



2006 Challenger 300 | S/N: 20106 | G-KALS



2006 Challenger 300 | S/N: 20106 | G-KALS





2006 Challenger 300 | S/N: 20106 | G-KALS



**AVPRO IS ONE OF THE WORLD'S LARGEST INTERNATIONAL AIRCRAFT BROKERAGE AND ACQUISITION FIRMS:**

We perform for our clients, averaging one transaction a week. We match aircraft to your specifications in a professional and timely manner, allowing you to concentrate on your business, leaving the important details of marketing, market research, negotiating, and contracting to us.

Whether buying, selling or leasing a new or pre-owned aircraft, Avpro is committed to providing superior customer service and creating mutually beneficial long-term customer relationships.

When it's time to buy, lease or sell an aircraft, you want to deal with Avpro, a firm known for its Performance for our clients, Integrity in the way we do business, and Reputation as the key ingredient for future business.

We're one of the world's largest international brokerage, acquisition, and aircraft consulting firms. We specialize in corporate, business and private jet aircraft. We've earned our impressive record by doing one thing very well - providing superior customer service and creating beneficial long-term customer relationships.



**PLEASE CALL US TO DISCUSS HOW WE CAN BEST SERVE YOU:**

Donald P. Bass  
Managing Partner  
dbass@avprojets.com

Christopher J. Ellis  
Managing Partner  
cellis@avprojets.com

Robert W. Rabbitt, Jr.  
Managing Partner  
brabbitt@avprojets.com

WWW.AVPROJETS.COM

AVPRO, INC.  
900 Bestgate Road, Suite 412  
Annapolis, Maryland 21401

410.573.1515  
Fax: 410.573.1919  
E-mail: dbass@avprojets.com

