



AVPRO INC.
Performance. Integrity. Reputation.



2001 Learjet 45 | SN 45-142

2001 Learjet 45 | S/N: 45-142 | N188SG

AIRCRAFT LISTING DETAILS:

Total Hours: 4426

Total Landings: 3270

Engines: Honeywell TFE731-20BR-1B

	#1	#2
Total Hours:	4426	4426
Engine Cycles:	3270	3270
Serial Numbers:	P116279	P116280

APU: Honeywell RE-100(RJ)

Total Hours: 1421

Serial Number: P-228

AIRCRAFT HIGHLIGHTS:

- ADS-B Out (STC-ST04159CH)
- Phase V Avionics Upgrade (SB 45-22-9)
- Phase VI Software Upgrade (SB 45-22-10 R2)
- Engines & APU on Honeywell MSP Gold
- BR Engine Performance Upgrade
- Single Point Re-Fueling
- Honeywell Cockpit Voice Recorder

AVIONICS:

- Honeywell Primus 1000 Avionics Suite
- Honeywell 4-Tube DU-870 EFIS w/6"x7" Displays
- Dual IC-600 Auto Pilot Computers
- Engine Instrument/Crew Alerting System w/Brake Fail Inhibit (EICAS)
- Dual Honeywell COMMs/Transponders w/8.33 Spacing & FM Immunity
- Dual Honeywell RNZ-851 NAVs w/Dual ADFs
- Dual Honeywell AZ-850 ADCs
- Dual Honeywell Mode "S" Transponders
- Dual Universal UNS-1C+ FMS w/Perf. Database & 802.7 Software
- Dual Honeywell DA-800 Data Acquisition Units
- Dual Honeywell AHZ-850 AHRS
- Standby Airspeed/Altitude/Altimeter Indicators
- Honeywell RT-300 Radio Altimeter
- Honeywell KHF-950 HF's w/SELCAL
- Honeywell Mark V EGPWS
- TCAS 2000 w/Change 7.1
- Honeywell Primus 880 Color Radar
- Weather Works Data Receiver WR-1087 (Provides XM Weather to iPads)
- Honeywell Cockpit Voice Recorder
- 110-406 MHz ELT w/Remote Switch

2001 Learjet 45 | S/N: 45-142 | N188SG

CONNECTIVITY:

- Aircell ST-3100 w/XM Antenna
- Universal UniLink UL-601

ENTERTAINMENT:

- Airshow 400
- Forward Bulkhead 10.5" Monitor
- Audio International DVD Player

INSPECTION STATUS:

Inspection	c/w	Next Due
Phase A1-A6	April 2019 at 4396.1 hrs.	April 2020 at 4696.1
Phase B1-B6	April 2019 at 4396.1	April 2021 at 4996.1
Phase C1-C6	May 2017 at 4087.4	May 2021 at 5287.4
Phase D1-D6	May 2017 at 4087.4	May 2025 at 6487.4

NOTE: Inspections are determined by Calendar time or hourly time which ever comes first.

MAINTENANCE PROGRAMS:

- Engines & APU on Honeywell MSP Gold
- CAMP

NAVIGATION COMPLIANCE:

- CMD Flight Solution ADS-B Out (STC-ST04159CH)
- TCAS 2000 w/Change 7.1
- RVSM Compliant

WEIGHTS:

Ramp.....	21,750 lbs.
Max Take Off.....	21,500 lbs.
Max Landing.....	19,200 lbs.
Max Zero Fuel	16,000 lbs.
Empty	13,700 lbs.

2001 Learjet 45 | S/N: 45-142 | N188SG

FEATURES/OPTIONS:

- SB45-56-3 Windshield Coupe Rail Inspection (Included Windshield Removal)
- Extended Center Instrument Panel
- Jump Seat
- Universal Data Transfer Unit (Permanent)
- Thrust Reversers
- Dual AOA Indicators
- Compensated Oxygen System
- Hour Meter
- Lead Acid Batteries
- Dual Davtron Clocks
- Recognition Lights w/Pulse
- Logo Lights
- Lighted Crew Chart Holders
- Warming Oven
- 110V AC Outlets
- Crew Outlet (Co-Pilot Side)
- External Baggage Compartment
- Baggage Flood Light
- Upgraded 38AH Batteries

INTERIOR:

Fireblocked eight (8) passenger double club configuration with a belted lavatory for a ninth passenger.

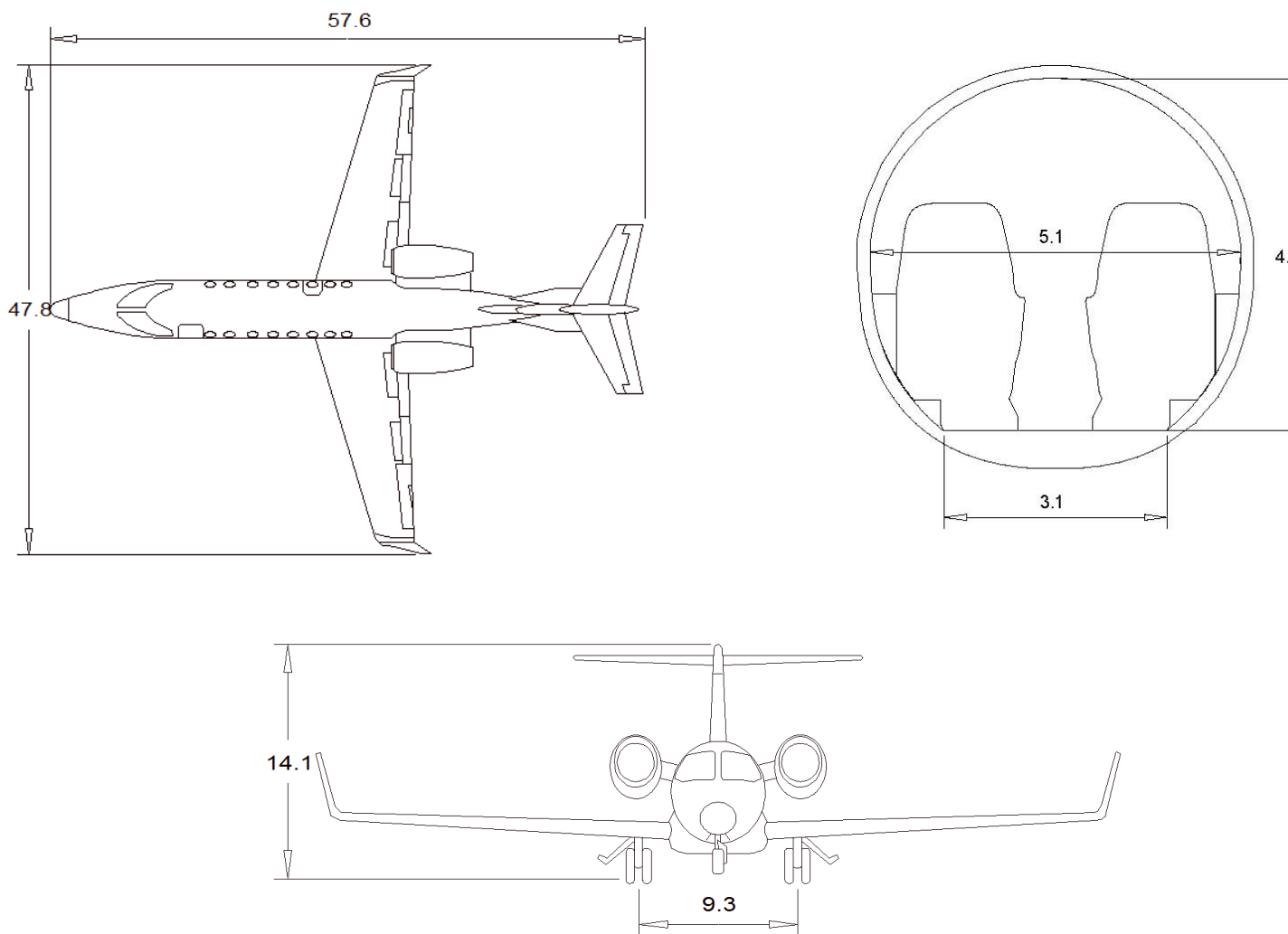
The individual chairs are covered in Spinney Beck Sabrina leather, complimented by the high gloss Carl Booth Bubinga cabinetry; each of the pullout tables feature a stylish leather inlay. Jump Seat.

Additional amenities include an aft pocket door, RH forward Refreshment Center, forward coat closet, Coffee Mapco, Warming Oven, ice and trash compartments. External Baggage compartment.

EXTERIOR:

Overall Matterhorn White with Whisper Gray, Custom Light Gray, Gamma Gray, Savannah Dark Gray, Las Vegas Gold Metallic and Custom Savannah Salmon Accent Striping.

2001 Learjet 45 | S/N: 45-142 | N188SG



2001 Learjet 45 | S/N: 45-142 | N188SG



WWW.AVPROJETS.COM

AVPRO, INC.
900 Bestgate Road, Suite 412
Annapolis, Maryland 21401

410.573.1515
Fax: 410.573.1919
E-mail: cellis@avprojets.com



2001 Learjet 45 | S/N: 45-142 | N188SG



2001 Learjet 45 | S/N: 45-142 | N188SG



2001 Learjet 45 | S/N: 45-142 | N188SG



2001 Learjet 45 | S/N: 45-142 | N188SG



2001 Learjet 45 | S/N: 45-142 | N188SG



2001 Learjet 45 | S/N: 45-142 | N188SG



2001 Learjet 45 | S/N: 45-142 | N188SG



2001 Learjet 45 | S/N: 45-142 | N188SG



2001 Learjet 45 | S/N: 45-142 | N188SG



2001 Learjet 45 | S/N: 45-142 | N188SG



AVPRO IS ONE OF THE WORLD'S LARGEST INTERNATIONAL AIRCRAFT BROKERAGE AND ACQUISITION FIRMS:

We perform for our clients, averaging one transaction a week. We match aircraft to your specifications in a professional and timely manner, allowing you to concentrate on your business, leaving the important details of marketing, market research, negotiating, and contracting to us.

Whether buying, selling or leasing a new or pre-owned aircraft, Avpro is committed to providing superior customer service and creating mutually beneficial long-term customer relationships.

When it's time to buy, lease or sell an aircraft, you want to deal with Avpro, a firm known for its Performance for our clients, Integrity in the way we do business, and Reputation as the key ingredient for future business.

We're one of the world's largest international brokerage, acquisition, and aircraft consulting firms. We specialize in corporate, business and private jet aircraft. We've earned our impressive record by doing one thing very well - providing superior customer service and creating beneficial long-term customer relationships.



Celebrating
25
YEARS



PLEASE CALL US TO DISCUSS HOW WE CAN BEST SERVE YOU:

Donald P. Bass
Managing Partner
dbass@avprojets.com

Christopher J. Ellis
Managing Partner
cellis@avprojets.com

Robert W. Rabbitt, Jr.
Managing Partner
brabbitt@avprojets.com

WWW.AVPROJETS.COM

AVPRO, INC. | 410.573.1515
900 Bestgate Road, Suite 412 | Fax: 410.573.1919
Annapolis, Maryland 21401 | E-mail: cellis@avprojets.com

