



AVPRO INC.
Performance. Integrity. Reputation.



PLAY VIDEO



TOUR VIRTUAL 360°



Maintenance Programs



Passengers
8

2006 Challenger 300 | SN 20102

2006 Challenger 300 | S/N: 20102 | N128TS

AIRCRAFT LISTING DETAILS:

Total Hours: 2539

Total Landings: 1321

Engines: Honeywell AS907-1-1A

	#1	#2
Total Hours:	2539	2539
Engine Cycles:	1321	1321

APU: Honeywell 36-150BD

Total Hours: 1639

AIRCRAFT HIGHLIGHTS:

- Fresh 48 Month Inspection, October 2018
- ADS-B Out
- Engines & APU on Honeywell MSP Gold
- Smart Parts
- All Required Service Bulletins c/w

AVIONICS:

- Collins Pro Line 21 Avionics Suite
- Dual IFIS, Enhanced/Paperless Cockpit
- Triple VHF Communications (COMMs)
- Dual Distance Measuring Equipment (DMEs)
- Dual Automatic Direction Finder (ADFs)
- Dual Air Data Computer (ADCs)
- Dual Transponders
- Dual HF w/SELCAL
- Dual FMS w/V-Speed Performance Package
- Dual GPS 4000S w/WAAS
- Data Link & AFIS
- Dual Altitude Heading Reference System (AHRS)
- TCAS II w/ Change 7.0
- EGPWS Mark VIII w/Windshear
- XM Weather
- Weather Radar w/Turbulence Detection
- Multi-Scan Weather Radar System
- Lightning Sensor System
- Flight Data Recorder
- Cockpit Voice Recorder
- Aural Warning System
- 406 MHZ ELT

2006 Challenger 300 | S/N: 20102 | N128TS

CONNECTIVITY:

- ICS 100/200 Iridium Communication Systems

ENTERTAINMENT:

- Airshow 4000
- Forward & Aft 18" Bulkhead Monitors
- Dual DVD/CD Players
- Computer/Fax/Data Package Capable

MAINTENANCE PROGRAMS:

- Engines & APU on Honeywell MSP Gold
- Smart Parts
- CAMP

WEIGHTS:

Gross	39,000 lbs.
Max Take Off	38,850 lbs.
Max Zero Fuel	27,200 lbs.
Empty	23,596 lbs.
Max Landing	33,750 lbs.
Basic Operating	24,300 lbs.

INSPECTION STATUS:

- 48 Month c/w October 2018 by West Star Aviation – Grand Junction, CO

NAVIGATION COMPLIANCE:

- ADS-B Out
- TCAS 7.1
- Datalink
- RVSM/MNPS/RNP

FEATURES/OPTIONS:

- Lighted Chart Holders
- Service Panel Lighting System
- Folding Step Ladder (Access to Tail Cone Compartment)
- Cockpit Airshow Display
- DBU-5000 USB Data Loader
- Maintenance Diagnostic System
- Voice Checklist
- Upgraded Ice Detection System
- Cockpit Writing Tables
- Pulse, Strokes and Tail Recognition Lights
- Three (3) Cabin Life Rafts w/406MHz ELTs
- Two (2) Cockpit 115v EFB Outlets
- Three (3) Outlets at each Club Grouping

2006 Challenger 300 | S/N: 20102 | N128TS

INTERIOR:

(2010 Partial Refurbishment by Bombardier, Atlantic Aero)

Nine (9) passenger fireblocked interior featuring a double club configuration with Ducrane headrests and leg rests on forward seats; audio and light controls located at each club seat. All seating is covered in a neutral tan colored leather; the medium toned, high gloss cabinetry is accented by polished silver colored plating. Luxurious coordinating neutral carpeting with patterned aisle. Forward full-service galley includes a Microwave & Hot Liquid Dispensers. Aft Lavatory offers hot & cold water & removable tank. Additional amenities include a Computer/Fax/Data Package, dual DVD/CD Player and two 18" bulkhead mounted monitors.

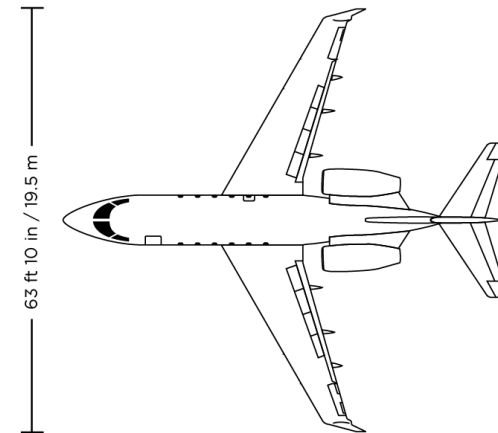
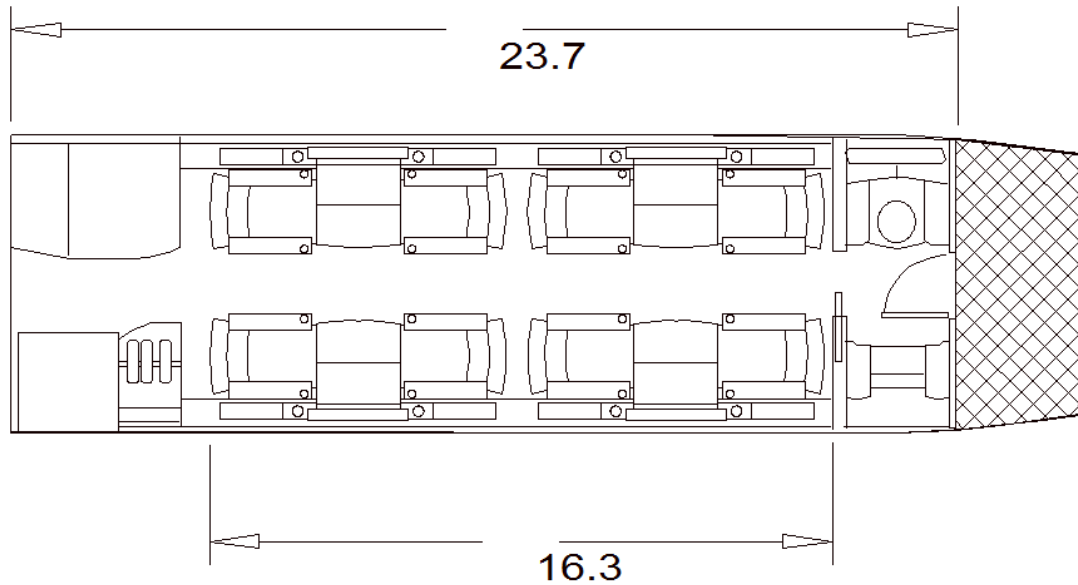
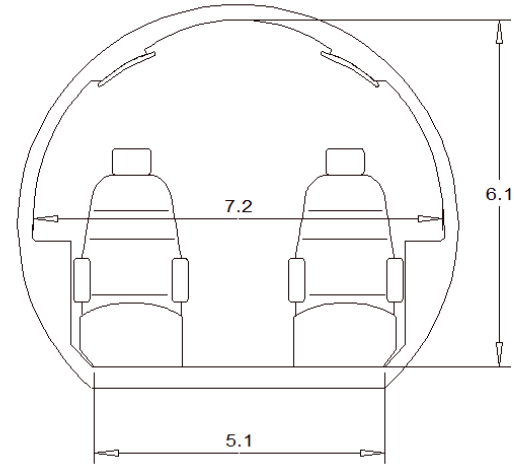
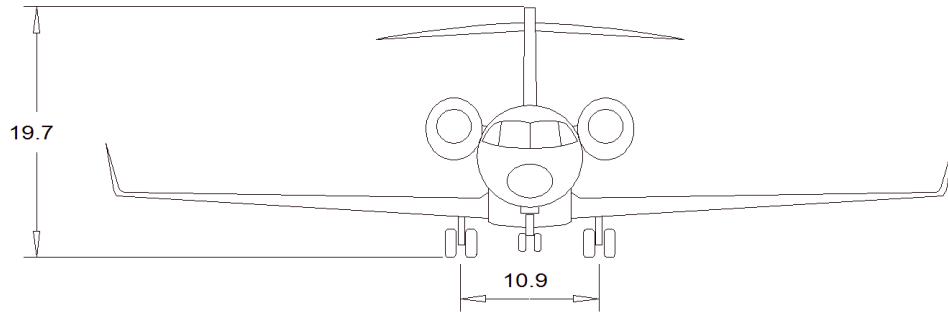
EXTERIOR:

(2012 Paint by Jet Aviation, St. Louis)

Overall Matterhorn White with Whisper Gray, Lt/ Gray, Gamma Gray, Savannah Dark Gray, Las Vegas Gold & Savannah Salmon Accent Striping.



2006 Challenger 300 | S/N: 20102 | N128TS



2006 Challenger 300 | S/N: 20102 | N128TS



2006 Challenger 300 | S/N: 20102 | N128TS



2006 Challenger 300 | S/N: 20102 | N128TS



2006 Challenger 300 | S/N: 20102 | N128TS



2006 Challenger 300 | S/N: 20102 | N128TS



2006 Challenger 300 | S/N: 20102 | N128TS



2006 Challenger 300 | S/N: 20102 | N128TS



2006 Challenger 300 | S/N: 20102 | N128TS



2006 Challenger 300 | S/N: 20102 | N128TS



AVPRO IS ONE OF THE WORLD'S LARGEST INTERNATIONAL AIRCRAFT BROKERAGE AND ACQUISITION FIRMS:

We perform for our clients, averaging one transaction a week. We match aircraft to your specifications in a professional and timely manner, allowing you to concentrate on your business, leaving the important details of marketing, market research, negotiating, and contracting to us.

Whether buying, selling or leasing a new or pre-owned aircraft, Avpro is committed to providing superior customer service and creating mutually beneficial long-term customer relationships.

When it's time to buy, lease or sell an aircraft, you want to deal with Avpro, a firm known for its Performance for our clients, Integrity in the way we do business, and Reputation as the key ingredient for future business.

We're one of the world's largest international brokerage, acquisition, and aircraft consulting firms. We specialize in corporate, business and private jet aircraft. We've earned our impressive record by doing one thing very well - providing superior customer service and creating beneficial long-term customer relationships.



PLEASE CALL US TO DISCUSS HOW WE CAN BEST SERVE YOU:

Donald P. Bass
Managing Partner
dbass@avprojets.com

Christopher J. Ellis
Managing Partner
cellis@avprojets.com

Robert W. Rabbitt, Jr.
Managing Partner
brabbitt@avprojets.com

WWW.AVPROJETS.COM

AVPRO, INC.
900 Bestgate Road, Suite 412
Annapolis, Maryland 21401

410.573.1515
Fax: 410.573.1919
E-mail: cellis@avprojets.com

