



AVPRO INC.
Performance. Integrity. Reputation.



2006 Citation XLS | SN 560-5632

2006 Citation XLS | S/N: 560-5632 | N632XL

AIRCRAFT LISTING DETAILS:

Total Hours: 7270
Total Landings: 5581

Engines: Pratt & Whitney PW545B

	#1	#2
Total Hours:	7270	7270
Engine Cycles:	5566	5566
Time Since Overhaul:	2269	2269
Serial Numbers:	PCEDD0275	PCEDD0274

APU: Honeywell RE100 APU

Total Hours: 3130
Serial Number: 5666

AIRCRAFT HIGHLIGHTS:

- One U.S. Owner Since New
- Based in Pittsburgh, PA
- Engines & APU Enrolled on JSSI
- ADS-B & WAAS/LPV Equipped
- GoGo AVANCE L3 Wi-Fi
- New Paint 2018

AVIONICS:

- Honeywell Primus 1000 3-Tube EFIS
- Honeywell Integrated Primus II Radio Package
- Dual Honeywell Attitude & Heading Reference Systems
- Dual Honeywell Air Data Computers
- Honeywell Automatic Flight Control System
- Meggitt GH-3000 Secondary Flight Display
- Dual Honeywell TR-850 COMMs
- Dual Honeywell NV-850 NAVs
- Dual Honeywell DM-850 DMEs
- Honeywell DF-850 ADF
- Dual Honeywell XS-852 Transponders w/ ADS-B Out Capability
- Dual Universal UNS-1ESPw FMS w/ WAAS/LPV Capability
- Honeywell AA-300 Radio Altimeter
- Honeywell Mark V Enhanced Ground Proximity Warning System
- Honeywell TCAS-II Traffic Collision Avoidance System
- Honeywell Primus 880 Weather Radar
- Dual Honeywell AV-850A Audio Control Panels
- Honeywell HF-1050 High-Frequency Radio w/CSD-714 SELCAL
- L3 Communications FA2100 Cockpit Voice Recorder
- Artex C406-N Emergency Locator Transmitter

2006 Citation XLS | S/N: 560-5632 | N632XL

CONNECTIVITY:

- GoGo AVANCE L3 Wi-Fi
-

MAINTENANCE PROGRAMS:

- Engines & APU Enrolled on JSSI
 - 100% Coverage for Hot Section & Overhaul (71% Coverage for LLP's)
-

FEATURES/OPTIONS:

- 2nd Universal UNS-1ESPw FMS
- Honeywell HF-1050 HF Radio w/CSD-714 SELCAL
- Cockpit Speaker Mute Switch
- Concorde 44 Amp/Hour Lead Acid Battery

NAVIGATION COMPLIANCE:

- ADS-B Out c/w SB 560XL-34-77 R02
 - WAAS/LPV Capability c/w (SB 560XL-34-60 & SB 560XL-34-44 R3)
-

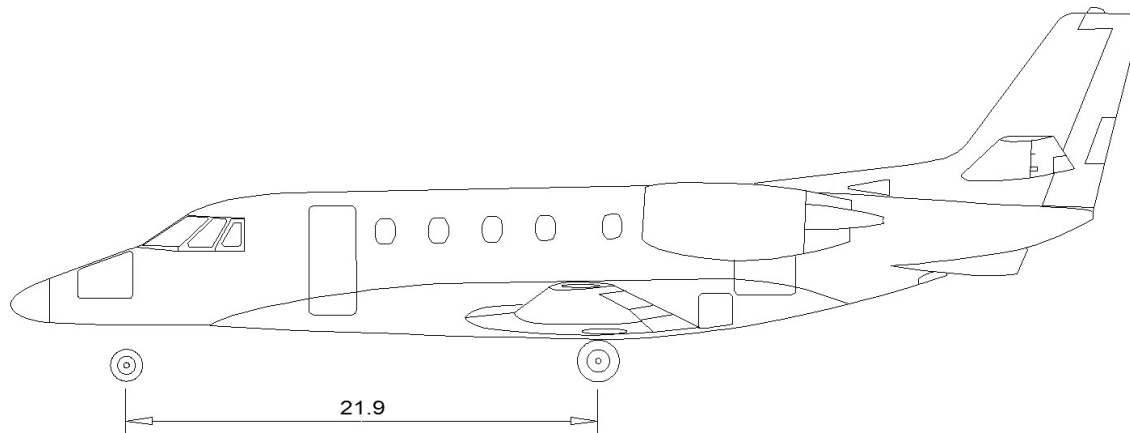
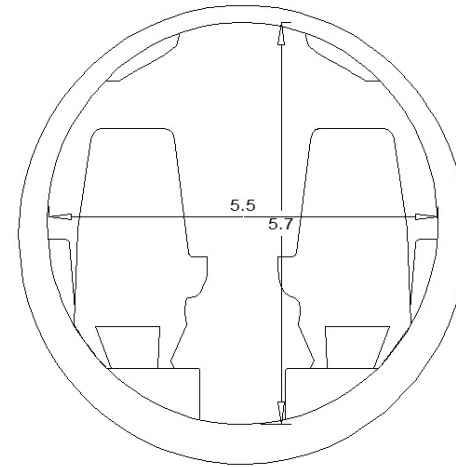
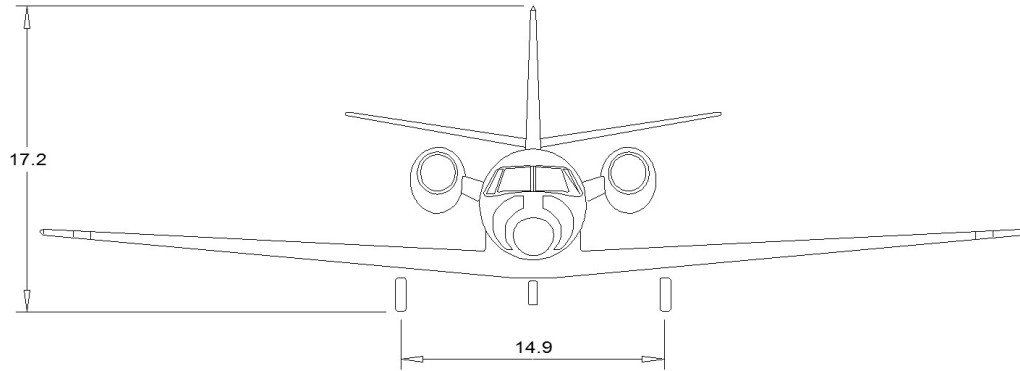
INTERIOR: (Partially Refurbished with New Headliner, Upper/Lower Side-walls & Carpet -March 2014)

Nine (9) passenger interior featuring a forward two (2) place side facing divan opposite a Refreshment Center. The mid cabin offers a four (4) place club arrangement with pull out tables followed by two (2) forward facing chairs. Aft belted lavatory for 9th passenger.

EXTERIOR: (2018 Paint by King Aerospace, OK)

Overall Snow White with Las Vegas Gold Pearl and Gloss Black Accent Stripping.

2006 Citation XLS | S/N: 560-5632 | N632XL



2006 Citation XLS | S/N: 560-5632 | N632XL



2006 Citation XLS | S/N: 560-5632 | N632XL



WWW.AVPROJETS.COM

AVPRO, INC.
900 Bestgate Road, Suite 412
Annapolis, Maryland 21401

410.573.1515
Fax: 410.573.1919
E-mail: wray@avprojets.com



2006 Citation XLS | S/N: 560-5632 | N632XL



2006 Citation XLS | S/N: 560-5632 | N632XL



WWW.AVPROJETS.COM

AVPRO, INC.
900 Bestgate Road, Suite 412
Annapolis, Maryland 21401

410.573.1515
Fax: 410.573.1919
E-mail: wray@avprojets.com



2006 Citation XLS | S/N: 560-5632 | N632XL



2006 Citation XLS | S/N: 560-5632 | N632XL



2006 Citation XLS | S/N: 560-5632 | N632XL



2006 Citation XLS | S/N: 560-5632 | N632XL



2006 Citation XLS | S/N: 560-5632 | N632XL



2006 Citation XLS | S/N: 560-5632 | N632XL



2006 Citation XLS | S/N: 560-5632 | N632XL



2006 Citation XLS | S/N: 560-5632 | N632XL



2006 Citation XLS | S/N: 560-5632 | N632XL



2006 Citation XLS | S/N: 560-5632 | N632XL



2006 Citation XLS | S/N: 560-5632 | N632XL



2006 Citation XLS | S/N: 560-5632 | N632XL



AVPRO IS ONE OF THE WORLD'S LARGEST INTERNATIONAL AIRCRAFT BROKERAGE AND ACQUISITION FIRMS:

We perform for our clients, averaging one transaction a week. We match aircraft to your specifications in a professional and timely manner, allowing you to concentrate on your business, leaving the important details of marketing, market research, negotiating, and contracting to us.

Whether buying, selling or leasing a new or pre-owned aircraft, Avpro is committed to providing superior customer service and creating mutually beneficial long-term customer relationships.

When it's time to buy, lease or sell an aircraft, you want to deal with Avpro, a firm known for its Performance for our clients, Integrity in the way we do business, and Reputation as the key ingredient for future business.

We're one of the world's largest international brokerage, acquisition, and aircraft consulting firms. We specialize in corporate, business and private jet aircraft. We've earned our impressive record by doing one thing very well - providing superior customer service and creating beneficial long-term customer relationships.



PLEASE CALL US TO DISCUSS HOW WE CAN BEST SERVE YOU:

Donald P. Bass
Managing Partner
dbass@avprojets.com

Christopher J. Ellis
Managing Partner
cellis@avprojets.com

Robert W. Rabbitt, Jr.
Managing Partner
brabbitt@avprojets.com

WWW.AVPROJETS.COM

AVPRO, INC.
900 Bestgate Road, Suite 412
Annapolis, Maryland 21401
410.573.1515
Fax: 410.573.1919
E-mail: wray@avprojets.com

