

Experience Matters.



2011 PIAGGIO P.180 AVANTI II SN 1217



2011 PIAGGIO P.180 AVANTI II SN 1217

OVERVIEW

ONE CORPORATE OWNER SINCE NEW



ADS-B OUT AT DELIVERY



VERY QUIET CABIN ENVIRONMENT



AMAZING PERFORMANCE TO 41000 FT



LOW TOTAL TIME



LOCATED IN USA



CAN BE DELIVERED ON USA REGISTRY

AIRFRAME

TOTAL HOURS SINCE NEW

1066.5

AIRCRAFT CYCLES

962

MAINTENANCE TRACKING

TRAXXALL

ENGINES

PWC PT6A-66B (3600 Hour TBO)

LEFT

RIGHT

SERIAL NUMBER

PCE-RW0178

PCE-RW0177

TOTAL HOURS

1066.5

1066.5

TOTAL CYCLES

960

960

PROPELLERS

HARTZELL HC-E5N-3A(3AL)

LEFT

RIGHT

SERIAL NUMBER

KU189

HF332

HOURS SINCE NEW

1066.5

1066.5

OVERHAUL COMPLETED

6/2017

6/2017

TIME SINCE OVERHAUL

139

139

INSPECTION OVERVIEW

LANDING GEAR OVERHAUL

Due September 2023



+1 303 468 4800
Info@WetzelAviation.com
www.WetzelAviation.com

2011 PIAGGIO P.180 AVANTI II SN 1217

AVIONICS

Collins Pro Line 21

Radio Management System – Collins RTU-4200, CDU-3000

Dual VHF COM - Collins VHF-4000 Transceiver with Antenna with 8.33 kHz spacing

VHF NAV 1 + ADF - Collins NAV-4000 VOR/ILS/MKR/ADF Receiver with Antennae

VHF NAV 2 - Collins NAV-4500 VOR/ILS/MKR Receiver with Antennae

Single DME - Collins DME-4000 (3 channel) with Antenna

Dual Mode S Flight ID Diversity Transponder - Collins TDR-94D

Radio Altimeter - Collins ALT-4000 (Operation to 2500 ft) with Antenna

Turbulence Detection Weather Radar - Collins RTA-852 Color Radar with 12” Antenna

TCAS I – L-3 Communications SkyWatch HP model SKY899

TAWS Class B with Worldwide Database – L-3 Communications Landmark model TAWS8000

INTEGRATED FLIGHT INFORMATION SYSTEM (IFIS) INCLUDING:

Collins FSU-5010 File Server Unit (FSU)

Collins ECU-3000 External Compensation Unit

Collins ECH-5000 Electronic Charts installation in the FSU

Collins OVL-5000 Enhanced Map Overlays installation

Dual Audio Panel - Baker B1045

EFIS with EIS – Three Collins displays AFD-3010, two DCP-3030, CCP-3000

Single FMS - Collins FMC-3000 (NAV to NAV and VNAV), CDU-3000 (used also for radio tuning), DBU-4100

GPS Sensor Unit - Collins GPS-4000A

Dual ADS - Collins ADC-3000

Dual AHRS - Collins AHC-3000 and FDU-3000

Maintenance Diagnostic System - Collins MDC-3110

Stand-by Cluster Instrument – L-3 Communications GH-3100

Emergency Locator Transmitter – Artex C406 (3 frequency)

AirCell ST3100 Iridium Satcom

Provisions for XM/WSI Satellite system reception



+1 303 468 4800
Info@WetzelAviation.com
www.WetzelAviation.com

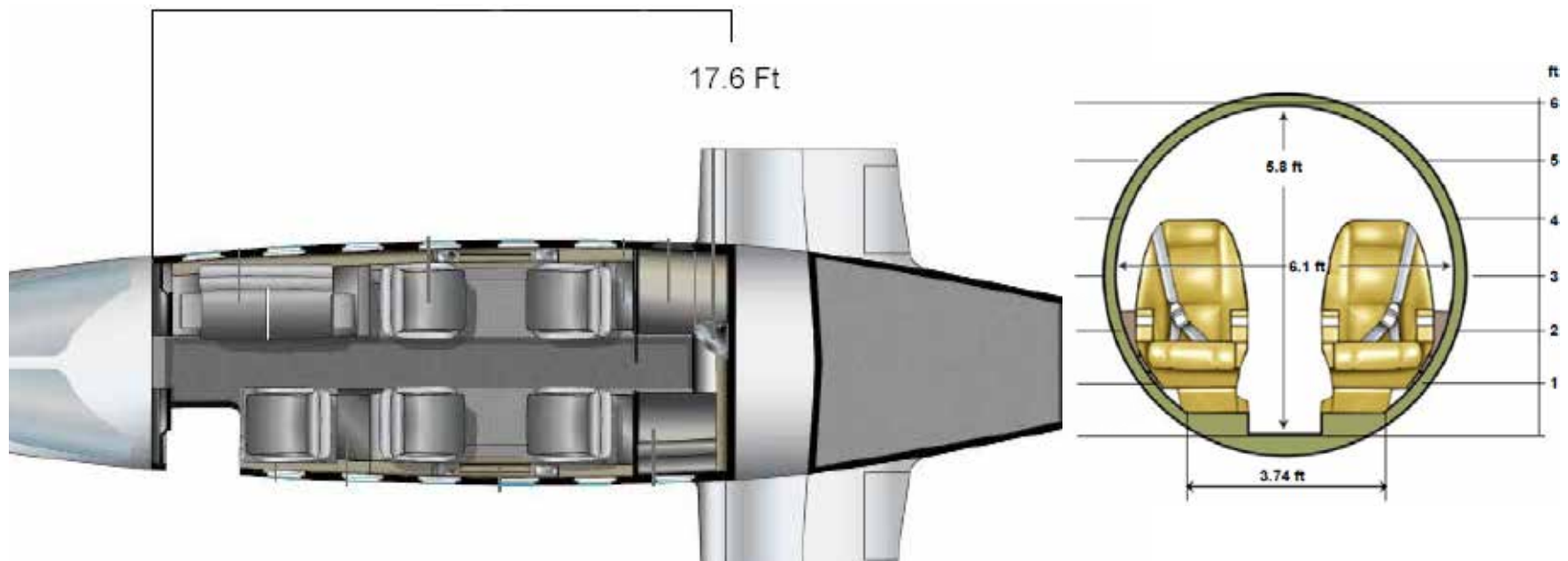
2011 PIAGGIO P.180 AVANTI II SN 1217

INTERIOR

PASSENGER CAPACITY	8 Passenger Executive in Cream Leather
CABIN CONFIGURATION	7 Passengers in Aft Club Arrangement with Two-Place Divan
LAVATORY	1 Side Facing Belted Lavatory Seat/Toilet
COCKPIT	Two (2) Crew Seats
CABINetry	Mid Cabin Pyramid, Aft Storage
TABLES	2 Executive Tables
CARPETING	Beige

EXTERIOR

BASE COLOR(S)	Silver
STRIPE COLORS	Blue, White, Yellow
DATE	Original



+1 303 468 4800
Info@WetzelAviation.com
www.WetzelAviation.com

Specifications as of 6 September 2019 (airframe and engine times as of 3 September 2019). Specifications are provided as introductory information only and subject to verification upon inspection and should not provide a basis for reliance or create any other binding obligation. Verification of hours, installed equipment and aircraft condition is the sole responsibility of Purchaser or lessee. Some photos may be modified to remove registration marks and logos. Information has been provided by the Seller and has not been independently verified by Wetzel Aviation.

2011 PIAGGIO P.180 AVANTI II SN 1217



+1 303 468 4800
Info@WetzelAviation.com
www.WetzelAviation.com

Specifications as of 6 September 2019 (airframe and engine times as of 3 September 2019). Specifications are provided as introductory information only and subject to verification upon inspection and should not provide a basis for reliance or create any other binding obligation. Verification of hours, installed equipment and aircraft condition is the sole responsibility of Purchaser or lessee. Some photos may be modified to remove registration marks and logos. Information has been provided by the Seller and has not been independently verified by Wetzel Aviation.

2011 PIAGGIO P.180 AVANTI II SN 1217



+1 303 468 4800
Info@WetzelAviation.com
www.WetzelAviation.com

Specifications as of 6 September 2019 (airframe and engine times as of 3 September 2019). Specifications are provided as introductory information only and subject to verification upon inspection and should not provide a basis for reliance or create any other binding obligation. Verification of hours, installed equipment and aircraft condition is the sole responsibility of Purchaser or lessee. Some photos may be modified to remove registration marks and logos. Information has been provided by the Seller and has not been independently verified by Wetzel Aviation.

2011 PIAGGIO P.180 AVANTI II SN 1217



+1 303 468 4800
Info@WetzelAviation.com
www.WetzelAviation.com

Specifications as of 6 September 2019 (airframe and engine times as of 3 September 2019). Specifications are provided as introductory information only and subject to verification upon inspection and should not provide a basis for reliance or create any other binding obligation. Verification of hours, installed equipment and aircraft condition is the sole responsibility of Purchaser or lessee. Some photos may be modified to remove registration marks and logos. Information has been provided by the Seller and has not been independently verified by Wetzel Aviation.

2011 PIAGGIO P.180 AVANTI II SN 1217



+1 303 468 4800
Info@WetzelAviation.com
www.WetzelAviation.com

Specifications as of 6 September 2019 (airframe and engine times as of 3 September 2019). Specifications are provided as introductory information only and subject to verification upon inspection and should not provide a basis for reliance or create any other binding obligation. Verification of hours, installed equipment and aircraft condition is the sole responsibility of Purchaser or lessee. Some photos may be modified to remove registration marks and logos. Information has been provided by the Seller and has not been independently verified by Wetzel Aviation.

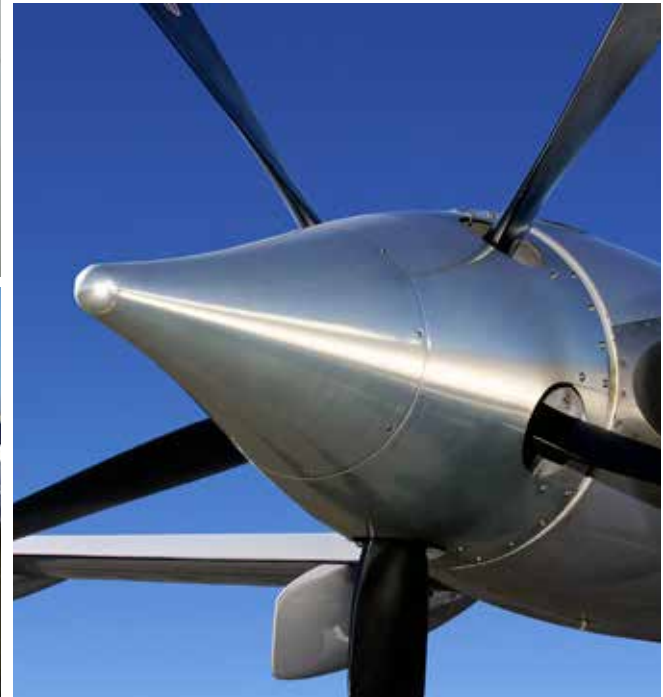
2011 PIAGGIO P.180 AVANTI II SN 1217



+1 303 468 4800
Info@WetzelAviation.com
www.WetzelAviation.com

Specifications as of 6 September 2019 (airframe and engine times as of 3 September 2019). Specifications are provided as introductory information only and subject to verification upon inspection and should not provide a basis for reliance or create any other binding obligation. Verification of hours, installed equipment and aircraft condition is the sole responsibility of Purchaser or lessee. Some photos may be modified to remove registration marks and logos. Information has been provided by the Seller and has not been independently verified by Wetzel Aviation.

2011 PIAGGIO P.180 AVANTI II SN 1217




+1 303 468 4800
Info@WetzelAviation.com
www.WetzelAviation.com

Specifications as of 6 September 2019 (airframe and engine times as of 3 September 2019). Specifications are provided as introductory information only and subject to verification upon inspection and should not provide a basis for reliance or create any other binding obligation. Verification of hours, installed equipment and aircraft condition is the sole responsibility of Purchaser or lessee. Some photos may be modified to remove registration marks and logos. Information has been provided by the Seller and has not been independently verified by Wetzel Aviation.



Performance

 **NORMAL CRUISE SPEED:** 31000 FT
380 KTS

 **MAX CRUISE SPEED:** 31000 FT
393 KTS

 **FUEL USAGE PER HOUR:**
110 (GAL) at MAX
CRUISE SPEED: 31000 FT

BALANCED FIELD LENGTH*:	3,412'
LANDING DISTANCE:	3,373'
USEFUL PAYLOAD WITH FULL FUEL:	830 LBS
TOTAL USABLE FUEL WEIGHT:	2,732 LBS

MAXIMUM TAKEOFF WEIGHT:	12,100 LBS
MAXIMUM LANDING WEIGHT:	11,500 LBS
BASIC OPERATING WEIGHT:	8,288 LBS
SERVICE CEILING:	41,000'

**Consideration must also be given to, but not limited to: passenger weights, baggage weight, winds, runway conditions, temperature and airport elevation.*

Wetzel Aviation appreciates the interest that you have in our client's aircraft. We are a global leader in guiding aviation acquisition, resale and leasing strategies on behalf of our valued customers. Wetzel Aviation is a member of the International Aircraft Dealers Association and adheres to a strict member code of ethics. Your Experience Matters to us and our team of professional industry specialists and a network of knowledgeable industry partners assure that you experience Solid Aviation Solutions. We look forward to working with you.

