

INSTALLATION GUIDE

Yamaha™ YXZ Seat Mount Kit: #5604



Fitment:

Installs driver and passenger side Force-1 seats into Yamaha™ YXZ1000 models 2016-current.

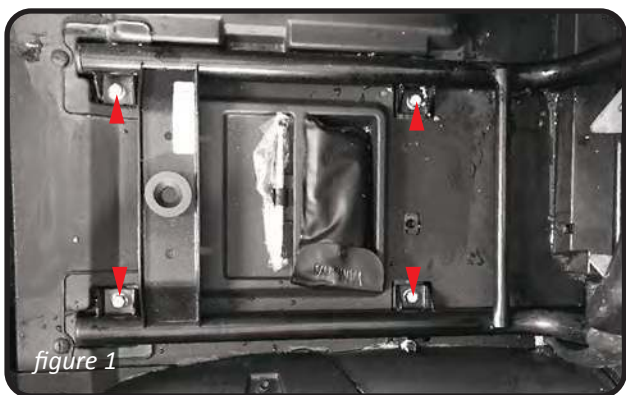
PARTS INCLUDED

- | | |
|------------------------------|------------------------|
| 2 Left Side Driver Brackets | 8 5/16" Carriage bolts |
| 2 Right Side Driver Brackets | 8 5/16" Flat washers |
| 2 Left Side Pass Brackets | 8 5/16"-18 Nyloc nuts |
| 2 Right Side Pass Brackets | |

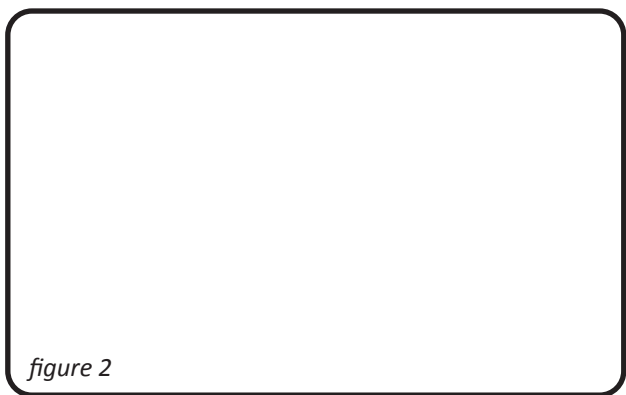
TO ENSURE YOUR SAFETY AND THE SAFETY OF OTHERS AND AVOID PROPERTY DAMAGE OR LOSS, PLEASE PAY CLOSE ATTENTION TO ALL INSTRUCTIONS, WARNINGS, CAUTIONS AND ATTENTION NOTES REGARDING THE USE AND CARE OF THIS PRODUCT.

NOTE: STRICTLY OBSERVE THE FOLLOWING GUIDELINES IN ORDER TO USE THE PRODUCT PROPERLY AND AVOID POTENTIALLY DANGEROUS ACCIDENTS

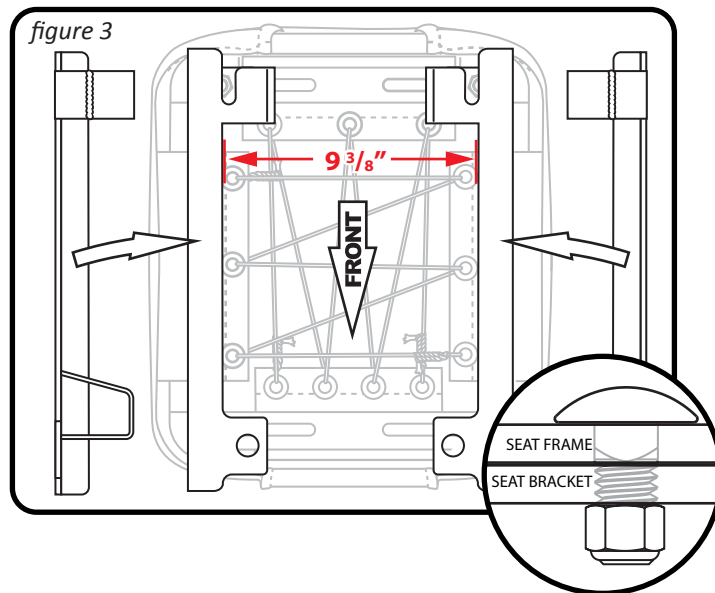
STEP 1 Remove the passenger seat bottom by pulling up on the front of the seat pan. Set aside. Using a 12mm socket, remove the four frame bolts as shown and remove frame assembly. NOTE: Retain these bolts for future use (*figure 1*).



STEP 2 Install Passenger side base plate as shown using two of the stock seat frame bolts retained from **STEP 1** (*figure 2*).

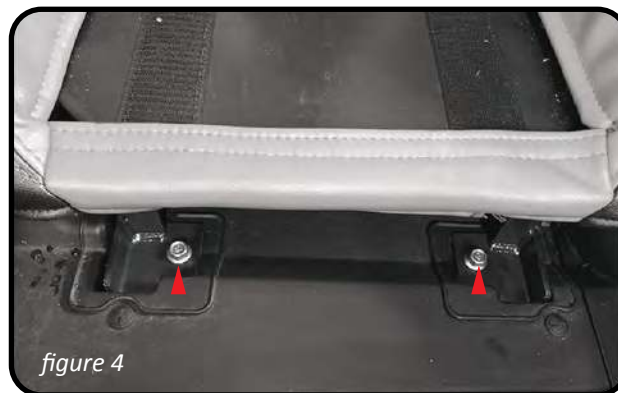


STEP 3 Place your Force-1 seat face-down on a clean surface, insert a 1" carriage bolt through each of the slots in the seat frame, so that the round bolt head is on the lacing-side of the seat and the threaded end protrudes out (*figure 3, inset*).

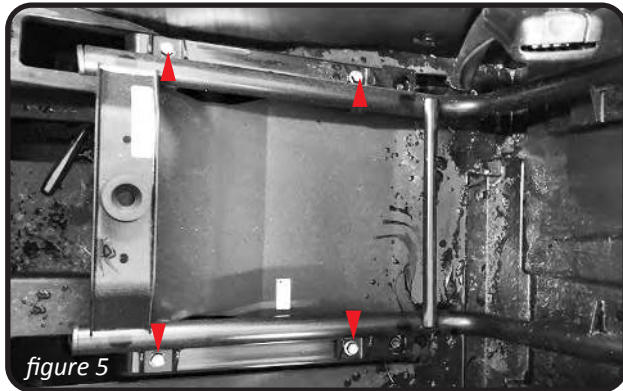


STEP 4 Install the left and right passenger seat brackets as shown. Brackets should be spaced apart $9 \frac{3}{8}$ " , centered on the seat frame. Secure with four nyloc nuts (*figure 3*).

STEP 5 Place passenger seat into vehicle by aligning the seat-bracket slots onto the posts on the base plate installed in **STEP 2**. Slide seat assembly back until front of the brackets drop into the recesses in the vehicle floor, aligning the front mounting holes. Intall the remaining two stock fasteners retained from **STEP 1** (*figure 4*).



STEP 6 Remove the driver seat bottom by pulling up on the front of the seat pan. Set aside. Using a 12mm socket, remove the four frame bolts as shown and remove frame assembly. **NOTE:** Retain these bolts for future use (*figure 5*).



STEP 7 Attach the driver-side seat brackets to your Force-1 seat as shown, using four nyloc nuts. **NOTE:** the laser cut arrows should point at the front of the seat and the slotted sections face the sides of the seat. Brackets should be positioned 8 1/2" apart and centered on the seat (*figure 6*).

STEP 8 Place the driver seat assembly into the vehicle, aligning the seat bracket slots on top of the slider base mounting holes and secure with four stock bolts removed in **STEP 6**. **NOTE:** The red X's represent the recommended mounting points (*figure 6*). With the bolts tight, test the range of adjustment. These bolts can be loosened and the seat assembly shifted as needed...just remember to tighten the bolts after any adjustments are made.

