

Madison Manufacturing Company, Inc.

172 South Andrews Ave. | PO Box 187
Hot Springs, NC 28743-0187 | USA
Phone: 828-622-7500 | 1-800-613-4766
Fax: 828-622-3309

Web: www.peerlessblowers.com
Email: salesteam@peerlessblowers.com

PLUG_{prime}

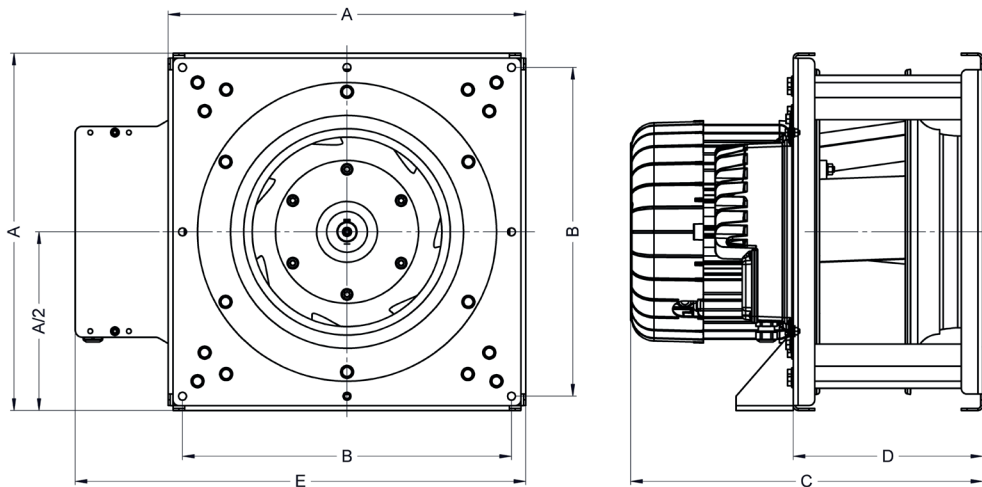
Plug Fan



Standard Product Features:

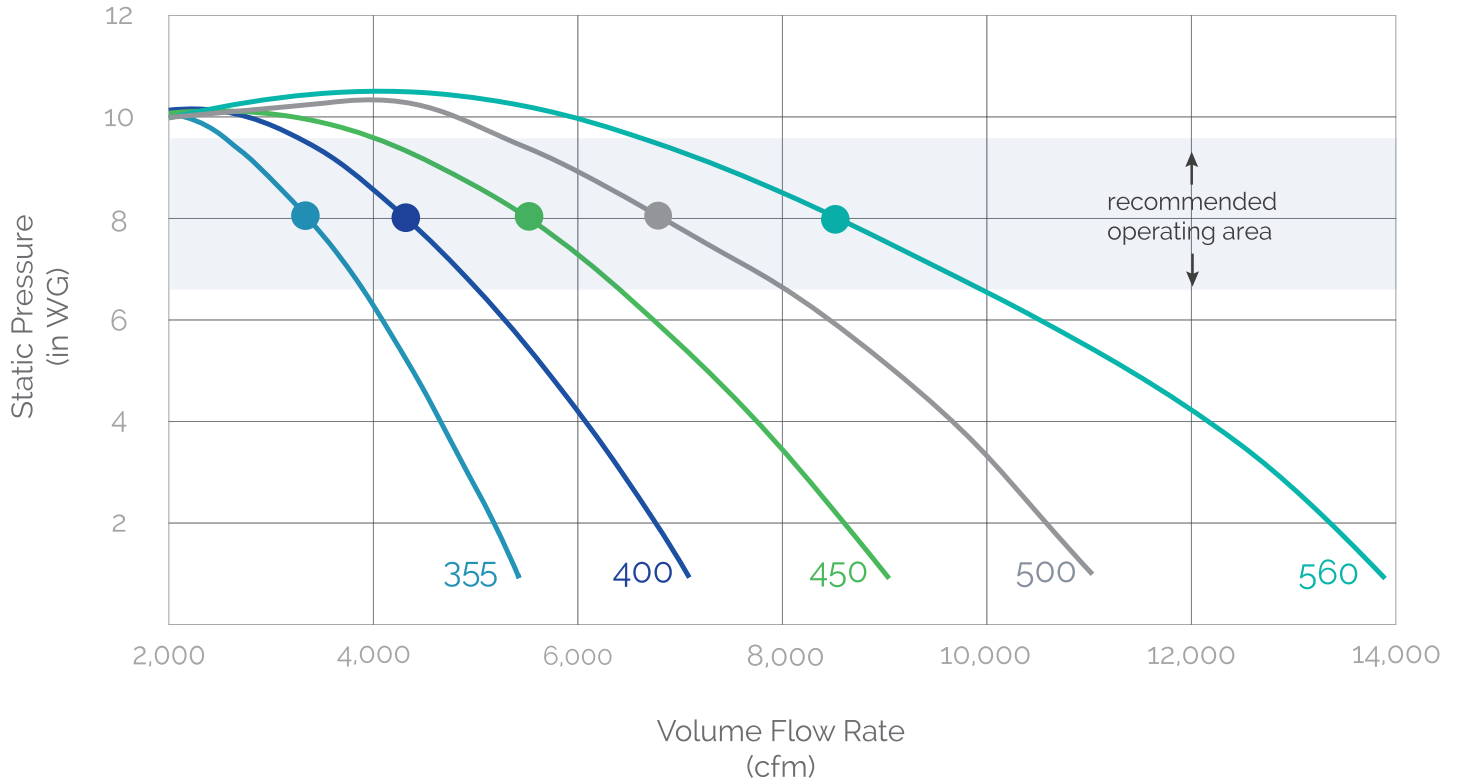
PLUG_{prime} is a single inlet, high-efficiency radial diffuser fan wheel mounted on an electronically commutated shaft motor with separate controller. The radial fan wheel is made of aluminum with backward curved, welded airfoil blades. The aerodynamically coordinated steel inlet cone is equipped with a blind rivet nut for connecting a pressure tap. The complete unit is statically and dynamically balanced. EC shaft motor efficiency class IE5 Ultra Premium efficiency, long lifetime, maintenance-free operation.

Inlet plate, motor plate, and inlet cone: galvanized steel | Braces, Fan wheel: aluminum | Direction of rotation: clockwise (suction side view) | Motor protection class: IP 54 | Motor insulation class: F



Model	Power (hp)	max. Speed (rpm)	Motor Protection Class	Motor Efficiency (%)	A (inch)	A/2 (inch)	B (inch)	C (inch)	D (inch)	E (inch)	Unit Weight (lbs)
PLUG_{prime} 355	6.5	3,830	IP54	92.0	19 ¹¹ / ₁₆	9 ²⁷ / ₃₂	18 ⁷ / ₆₄	17 ¹³ / ₁₆	9 ¹ / ₂	24 ¹³ / ₁₆	99
PLUG_{prime} 400	8	3,400	IP54	92.5	19 ¹¹ / ₁₆	9 ²⁷ / ₃₂	18 ⁷ / ₆₄	19 ¹⁷ / ₁₆	10 ¹⁵ / ₃₂	24 ¹³ / ₁₆	130
PLUG_{prime} 450	10.5	3,020	IP54	93.1	21 ²¹ / ₃₂	10 ⁵³ / ₆₄	20 ⁵ / ₆₄	22 ³ / ₈	11 ⁵ / ₈	25 ¹³ / ₁₆	169
PLUG_{prime} 500	12.5	2,730	IP54	93.2	23 ⁵ / ₈	11 ¹³ / ₁₆	22 ³ / ₆₄	23 ¹⁵ / ₂₃	12 ³ / ₄	28 ⁹ / ₁₆	195
PLUG_{prime} 560	15	2,430	IP54	95.0	26 ²⁵ / ₃₂	13 ²⁵ / ₆₄	25 ¹³ / ₆₄	24 ⁷ / ₃₂	14 ⁵ / ₃₂	30 ¹ / ₈	230

Performance Data



The characteristic curves shown are valid for measurements on a testing setup built in accordance with ISO 5801 (DIN 24163) and may vary depending on the mounting situation. In principle, it has to be taken into account that these characteristic values were recorded under laboratory conditions. The real data are to be evaluated in consideration of further marginal conditions.

Model	Best Efficiency Point	Volume Flow (cfm)	p_{sf} (in WG)	Lw6A [dB(A)]	System Efficiency Static (%)	P_e (hp)	n (rpm)
PLUG_{prime} 355	●	3,320	8	98	62.8	6.6	3,830
PLUG_{prime} 400	●	4,310	8	98	62.2	8.7	3,400
PLUG_{prime} 450	●	5,430	8	98	63.3	10.7	3,020
PLUG_{prime} 500	●	6,790	8	99	63.8	13.4	2,730
PLUG_{prime} 560	●	8,500	8	99	66.0	16.2	2,430



Peerless Blowers | Madison Manufacturing Company, Inc.

172 South Andrews Ave. | PO Box 187
Hot Springs, NC 28743-0187 | USA
Phone: 828-622-7500 | 1-800-613-4766

Fax: 828-622-3309
Web: www.peerlessblowers.com
Email: salesteam@peerlessblowers.com