

The DAMATO Campimeter

Patient

Name: _____
 DOB: ____/____/____
 Sex: _____
 No: _____

Eye

	Right	Left
Dist. Acuity		
Near Acuity		
Correction		
Pupil Diam.		

Method

Optical Correction

Illumination:

Strategy:

Single-level Stimulus: % mm
 Suprathreshold

Threshold

Comment: _____

Examiner: _____

Date: _____

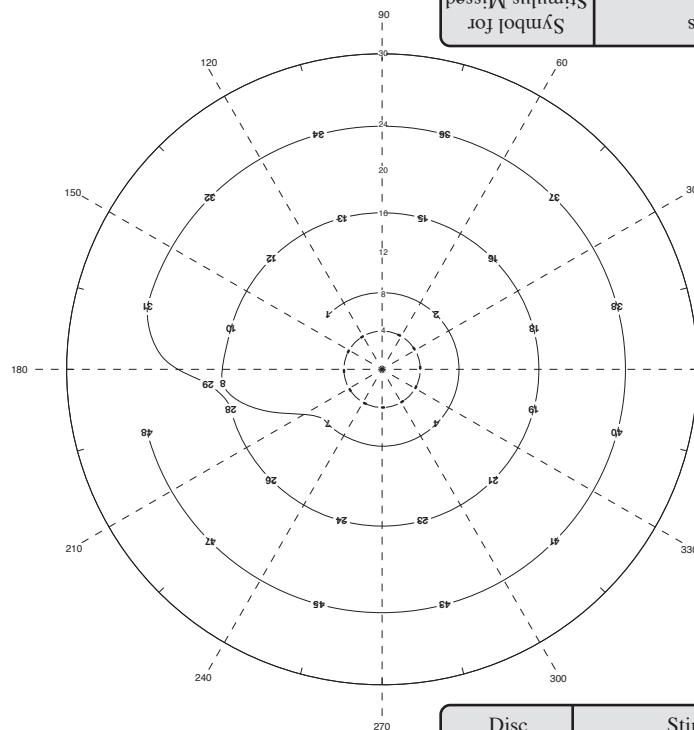


Developed by Dr. Bertil Damato
 St. Paul's Eye Unit
 Royal Liverpool University Hospital
 Prescot Street, Liverpool L7 8XP
 United Kingdom
 FAX (44)151 706 5861
 © Bertil Damato 1995
 Patent Pending

This way up to record results.
 invert to interpret results.

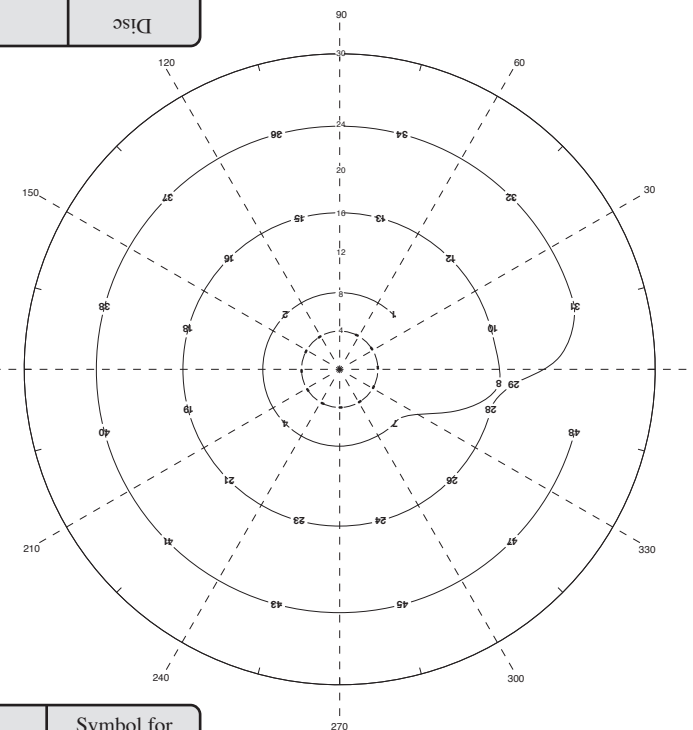
Symbol for Stimulus Missed	Stimulus		Disc
	Contrast (%)	Size (mm)	
●	100	6	
⊗	100	3	
×	100	1.5	
/	100	0.75	1-Contrast
●	100	6	
⊗	100	3	
*	25	3	
*	10	3	
+	5	3	
	2.5	3	5-Contrast

Left eye



Left eye

Right eye



Right eye

Disc	Stimulus		Symbol for Stimulus Missed
	Contrast (%)	Size (mm)	
5-Contrast	2.5	3	
	5	3	+
	10	3	*
	25	3	*
	100	3	⊗
	100	6	●
1-Contrast	100	0.75	/
	100	1.5	×
	100	3	⊗
	100	6	●

This way up to Record results.
 invert to interpret results.

Manufactured under license from
 Bertil E. Damato MD PhD FRCOphth by:

Precision Vision™

1725 Kilkenny Court • Woodstock, IL 60098
 Phone (815) 223-2022 FAX (815) 223-2224
 E-mail: info@precision-vision.com