

Patient

Name: \_\_\_\_\_

DOB: \_\_\_\_/\_\_\_\_/\_\_\_\_

Sex: \_\_\_\_\_

No: \_\_\_\_\_

Eye

Right

Left

Dist. Acuity

Near Acuity

Correction

Pupil Diam.

Method

Optical Correction

Illumination:

Strategy:

Single-level

Suprathreshold

Threshold

Comment: \_\_\_\_\_

Examiner: \_\_\_\_\_

Date: \_\_\_\_\_

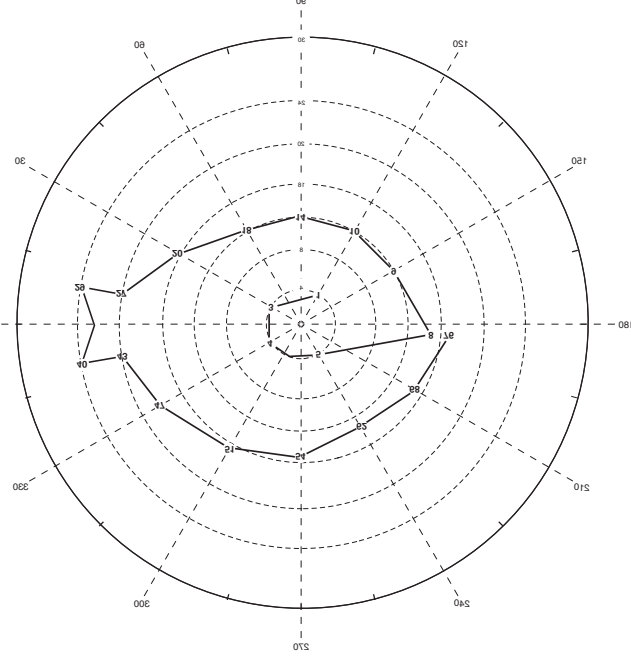
Developed by Dr. Bertil Damato  
 St. Paul's Eye Unit  
 Royal Liverpool University Hospital  
 Prescott Street, Liverpool L7 8XP  
 United Kingdom  
 FAX (44)151 706 5861  
 © Bertil Damato 1995  
 Patent Pending



This way up to record results.  
 invert to interpret results.

Stimulus Missed	Symbol
10%	/
25%	×

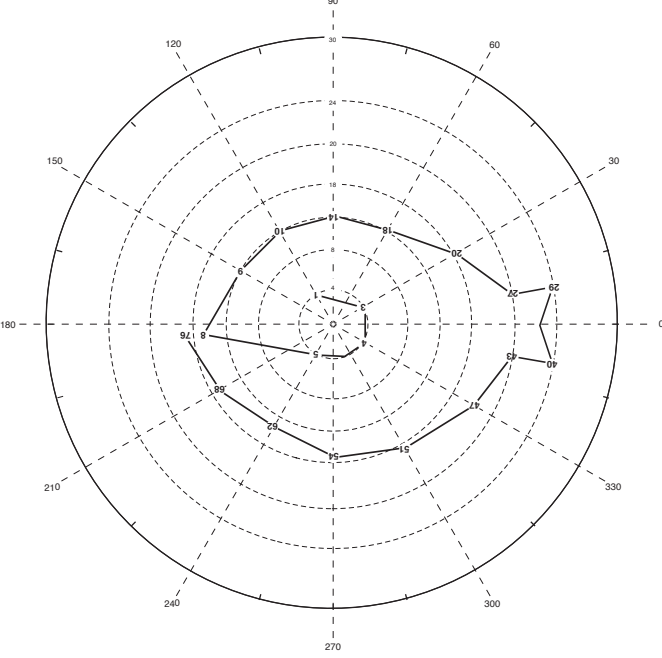
Left eye



Left eye

Stimulus Missed	Symbol
10%	/
25%	×

Right eye



Right eye

This way up to interpret results.  
 invert to Record results.

Manufactured under license from  
 Bertil E. Damato MD PhD FRCOphth by:  
**Precision Vision™**  
 944 First Street • La Salle, IL 61301 • U.S.A.  
 Phone (815) 223-2022 FAX (815) 223-2224  
 E-mail: precisionvision@mindspring.com  
 CAT. NO. 2922

Patient

Name: \_\_\_\_\_  
 DOB: \_\_\_\_/\_\_\_\_/\_\_\_\_  
 Sex: \_\_\_\_\_  
 No: \_\_\_\_\_

Eye

Right	Left
-------	------

Dist. Acuity	
--------------	--

Near Acuity	
-------------	--

Correction	
------------	--

Pupil Diam.	
-------------	--

Method

Optical Correction	
--------------------	--

Illumination:	
---------------	--

Strategy:	
-----------	--

Single-level	<input type="checkbox"/>
--------------	--------------------------

Suprathreshold	<input type="checkbox"/>
----------------	--------------------------

Threshold	<input type="checkbox"/>
-----------	--------------------------

Comment: \_\_\_\_\_  
 \_\_\_\_\_  
 \_\_\_\_\_  
 \_\_\_\_\_  
 \_\_\_\_\_

Examiner: \_\_\_\_\_  
 \_\_\_\_\_  
 \_\_\_\_\_

Date: \_\_\_\_\_

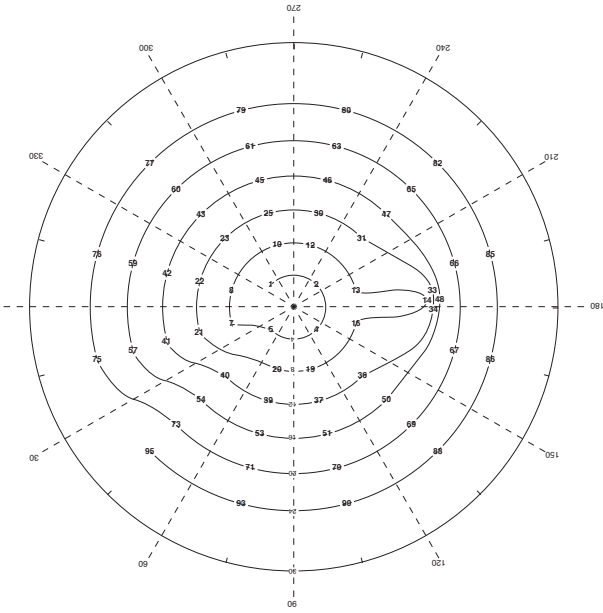


Developed by Dr. Bertil Damato  
 St. Paul's Eye Unit  
 Royal Liverpool University Hospital  
 Prescot Street, Liverpool L7 8XP  
 United Kingdom  
 FAX (44)151 706 5861  
 © Bertil Damato 1995  
 Patent Pending

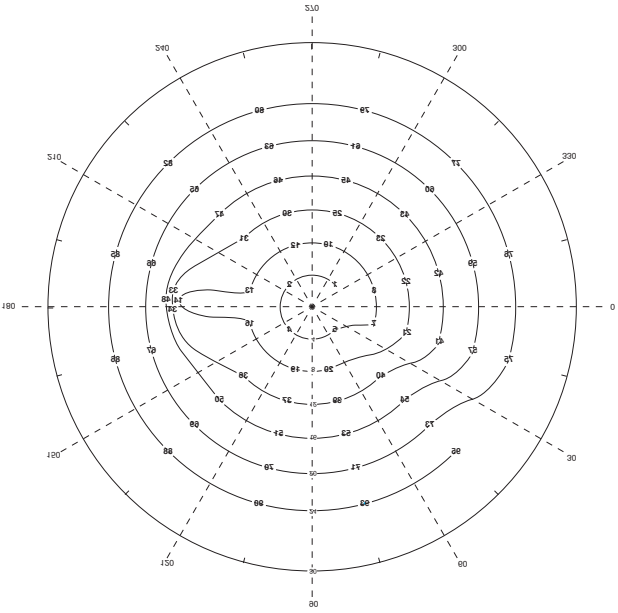
This way up to record results.  
 invert to interpret results.

Disc	Stimulus		Symbol for Stimulus Missed
	Contrast (%)	Size (mm)	
5-Contrast	2.5	3	
	5	3	+
	10	3	*
	25	3	* (with dot)
	100	3	⊗
1-Contrast	100	9	●
	100	6	● (with dot)
	100	0.75	/
	100	1.5	×
	100	3	⊗

Left eye



Right eye



Disc	Stimulus		Symbol for Stimulus Missed
	Contrast (%)	Size (mm)	
5-Contrast	2.5	3	
	5	3	+
	10	3	*
	25	3	* (with dot)
	100	3	⊗
1-Contrast	100	9	●
	100	6	● (with dot)
	100	0.75	/
	100	1.5	×
	100	3	⊗

Left eye

This way up to interpret results.  
 invert to Record results.

Manufactured under license from  
 Bertil E. Damato MD PhD FRCOphth by:  
**Precision Vision™**  
 944 First Street • La Salle, IL 61301 • U.S.A.  
 Phone (815) 223-2022 FAX (815) 223-2224  
 E-mail: precisionvision@mindspring.com  
 CAT. NO. 2932

Right eye