



DRAWER RUNNERS FGV & CABX

A premium worldwide brand associated with Roco Fittings for over 25 years. FGV is built on quality & reliability.

DRAWER RUNNERS - FGV

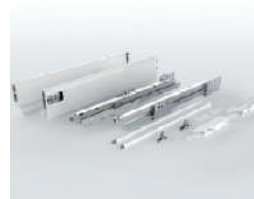
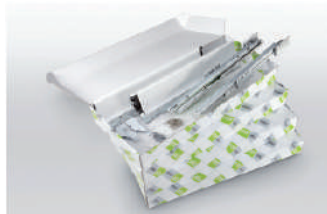
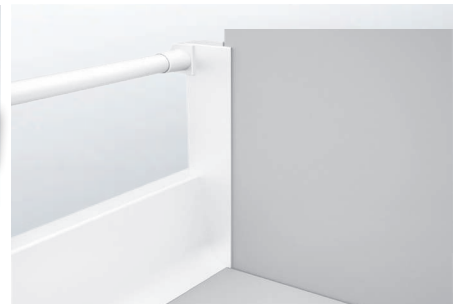
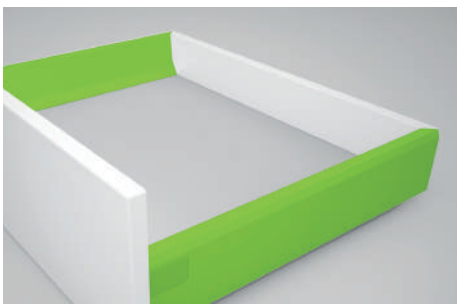
DRAWER RUNNER KIT (H95) FGV TEN	
R58XEAKF135X	350mm
R58XEAKF140X	400mm
R58XEAKF145X	450mm
R58XEAKF150X	500mm

DRAWER RUNNER KIT WITH GALLERY RAIL- (H180) FGV TEN	
R58XEAGF135X	350mm
R58XEAGF140X	400mm
R58XEAGF145X	450mm
R58XEAGF150X	500mm

Ten is the new benchmark in affordable high quality and high performance double wall drawer technology. Ten is a complete range covering all usual applications with clever solutions, Italian design and elegance. The name Ten stands for fulfilment of the highest criteria where every detail counts. The state-of-the-art conception, the use of environmentally friendly materials and production solutions, together with the known focus of Formenti & Giovenzana on the most cost efficient process give to this new product the best possible rating of 10/10.

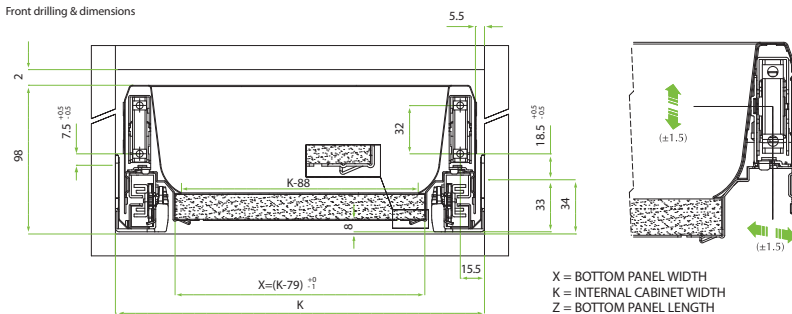


• TESTED TO 120,000 CYCLES

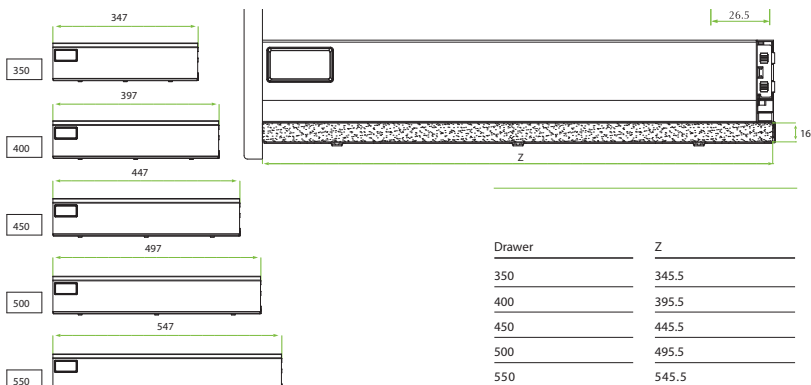
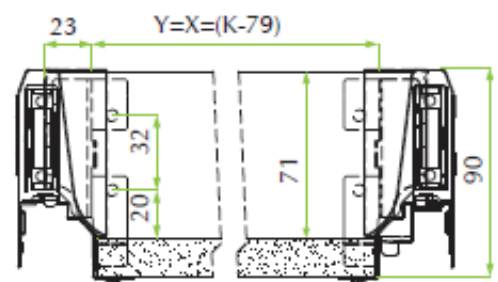


FRONT DRILLING AND DIMENSIONS

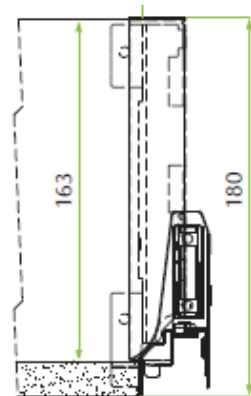
Front drilling & dimensions



WOODEN BACK PANEL DIMENSIONS



DRAWERS



DRAWER RUNNERS - FGV

ACCESSORIES FOR FGV TEN INTERNAL DRAWER SOLUTION

BACK BRACKET - WOOD BACK PANEL

R58AXPW1000000	Back bracket for wooden Panel
----------------	-------------------------------

RAILING TUBES FOR INTERNAL DRAWER

Polar White

R58RX04F14500000	450mm
------------------	-------

R58RX04F15000000	500mm
------------------	-------

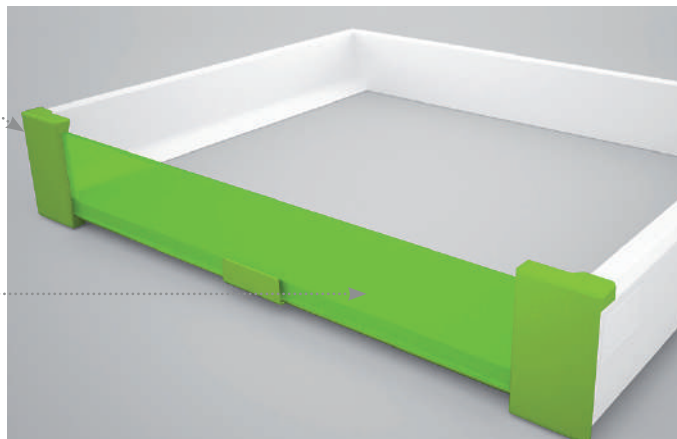
FRONTAL BRACKETS FOR INTERNAL DRAWER

R58AX4RF10000B00	Bracket for Alu Railing
------------------	-------------------------

R58AX40F10000B00	Bracket for Standard Drawer
------------------	-----------------------------

ALUMINIUM FRONT PROFILE

R58PX4AF11081B00	Polar White - 1081mm
------------------	----------------------

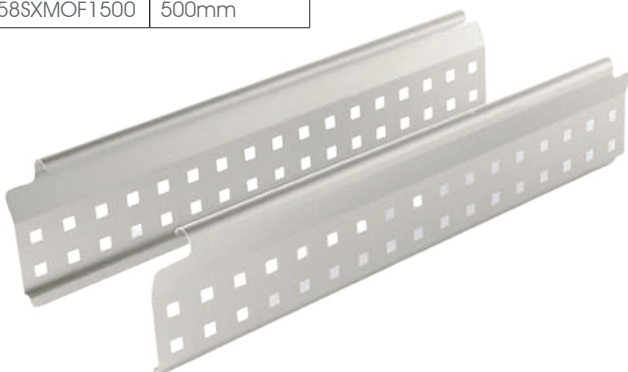


SIDE PANEL FOR STANDARD FGV TEN

STEEL SIDE PANEL

Polar White

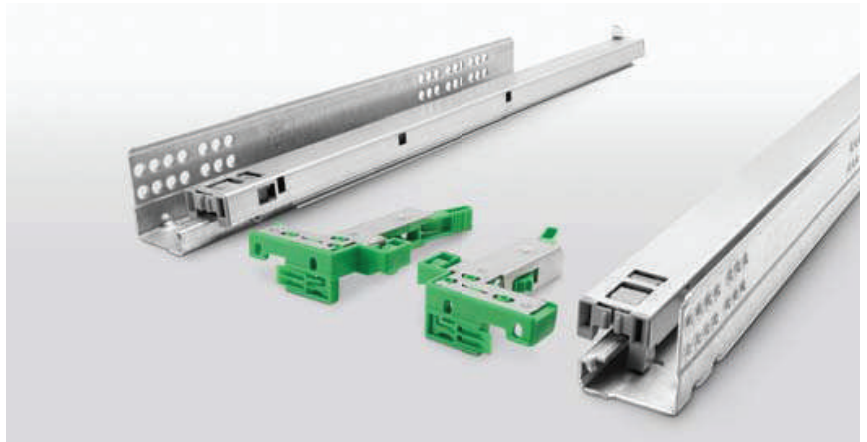
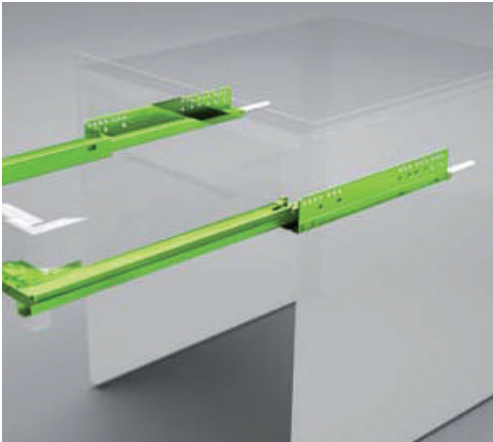
R58SXMOF1500	500mm
--------------	-------



SIDE PANEL - STEEL POLAR WHITE



UNDERMOUNT SOFT CLOSING RUNNER



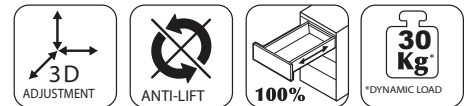
UNDERMOUNT DRAWER RUNNER

Full Extension - Soft Close

R54N665H730Y000	300mm	BENEFITS FOR THE INDUSTRY <ul style="list-style-type: none"> • Large range of standard depths from 250 to 550 mm • Full extension for complete drawer access • Very tolerant due to built-in flexibility • New generation of SlowMotionFR damping with stop-close feature and Final Release feature to always guarantee drawer closure also under adverse conditions • Easy-Fix rapid fixing for ease of assembly and integrated anti-lift feature • 3D adjustment for an easy and quick drawer alignment • Excellent load ability with 30kg dynamic standard capacity throughout the range
R54N665H735Y000	350mm	
R54N665H740Y000	400mm	
R54N665H745Y000	450mm	
R54N665H750Y000	500mm	
R54N665H755Y000	550mm	

BENEFITS FOR THE CONSUMER

- Smooth functioning thanks to new generation of wheel design
- Comfortable full extension for improved accessibility and ease of use
- Lasting quality thanks to optimised materials
- Hidden assembly for high quality perception of the whole cabinet
- Adaptive SlowMotionFR damping for noiseless closing
- High-end OneTouch handleless operation



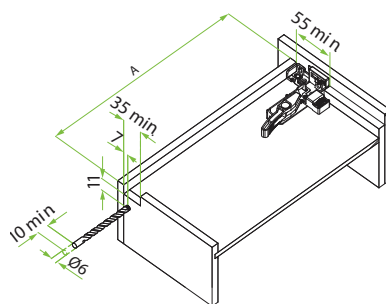
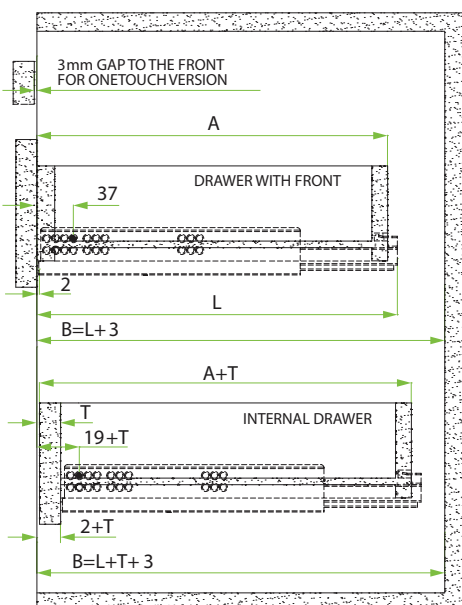
SlowMotionFR

All new adaptive stop close damping device ensures a strong damping force and perfect closing of the drawer in every condition.

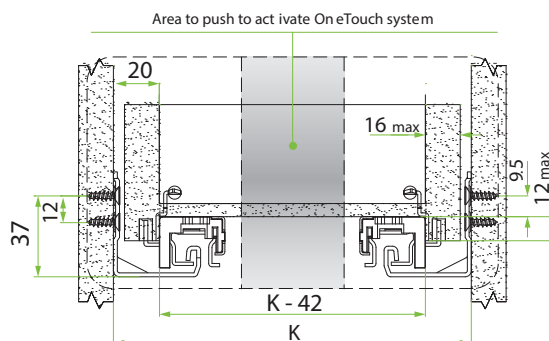


- Tested to 100 000 cycles

Drawer mounting & dimensions



L	260	310	360	410	460	510	560
A	250	300	350	400	450	500	550

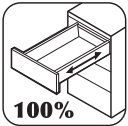


L = EXCEL SLIDE NOMINAL LENGTH
 A = DRAWER DEPTH
 B = CABINET INTERNAL DEPTH
 K = CABINET INTERNAL WIDTH
 AV = EXTENSION LOSS
 (The On eTouch system is guaranteed for drawers with width max 600 mm)

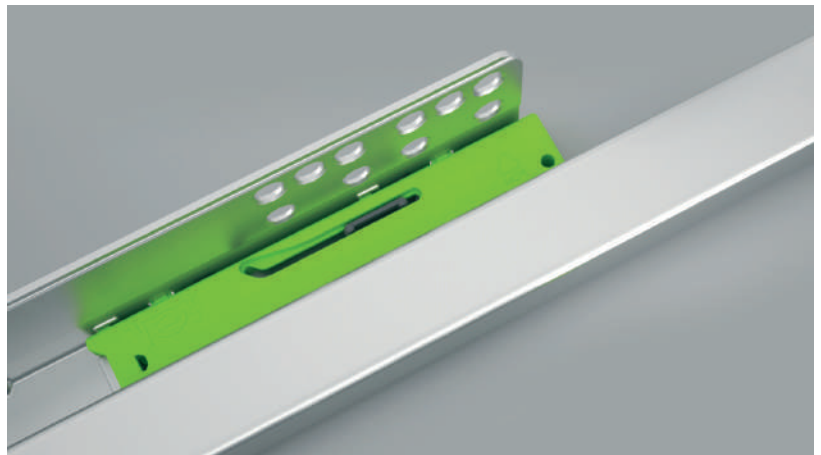
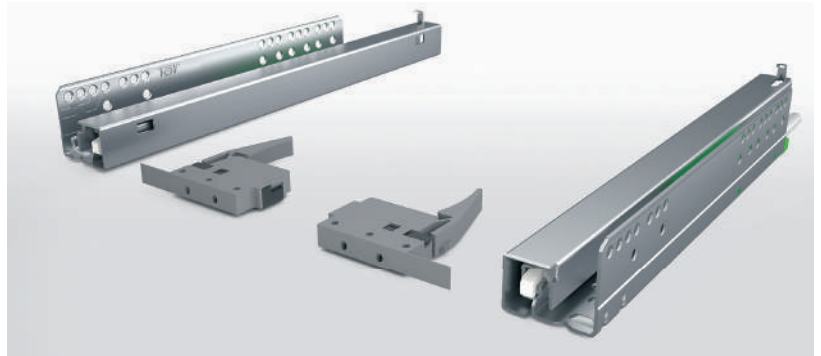
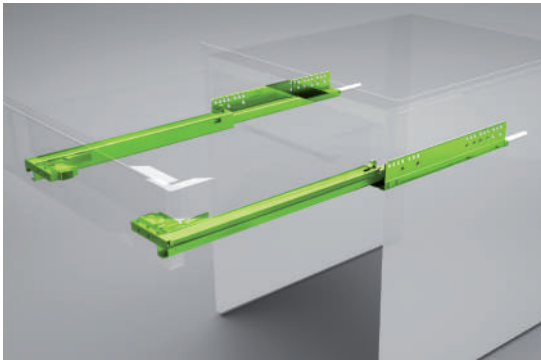
PUSH TO OPEN UNDERMOUNT RUNNER

DRAWER RUNNER UNDERMOUNT - PUSH TO OPEN - FGV

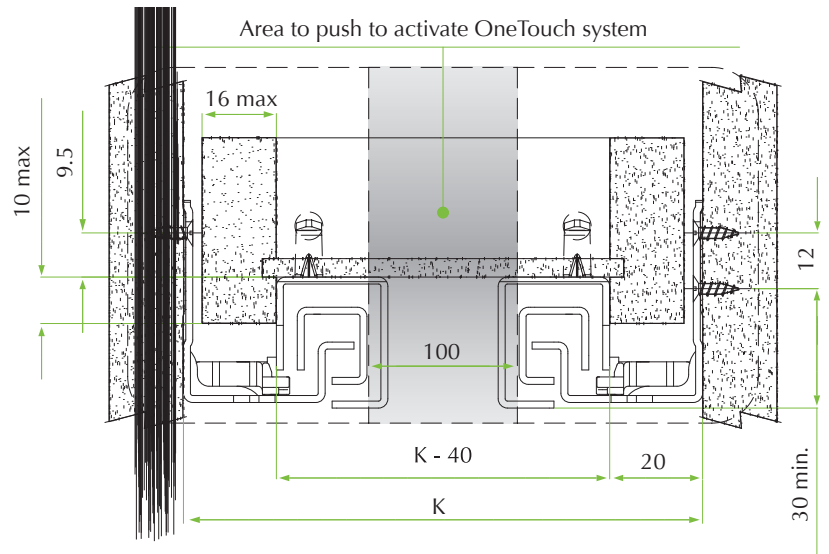
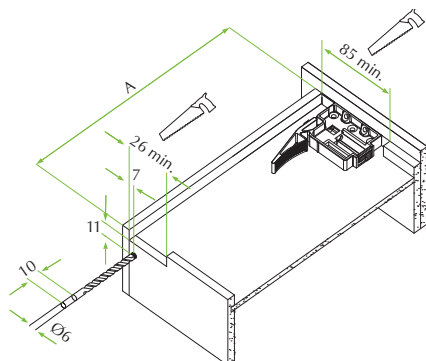
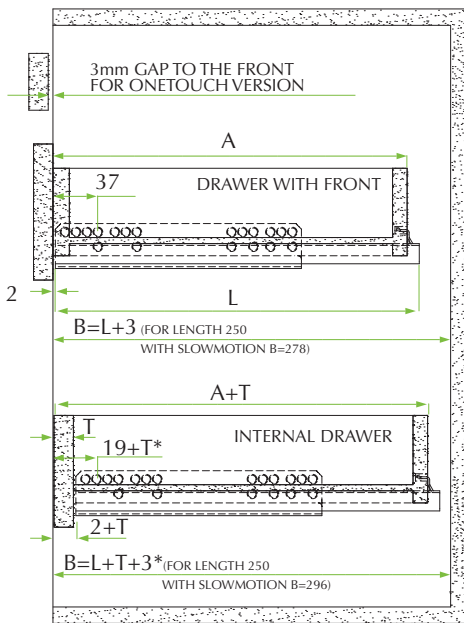
R54N650H745P000	450mm
R54N650H750P000	500mm



• Tested to 100 000 cycles



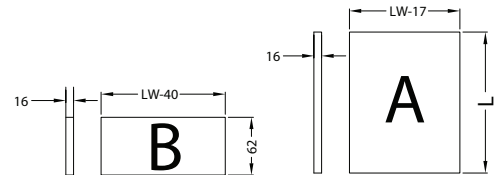
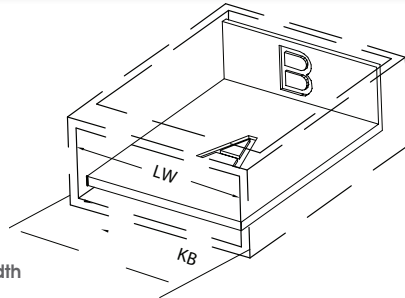
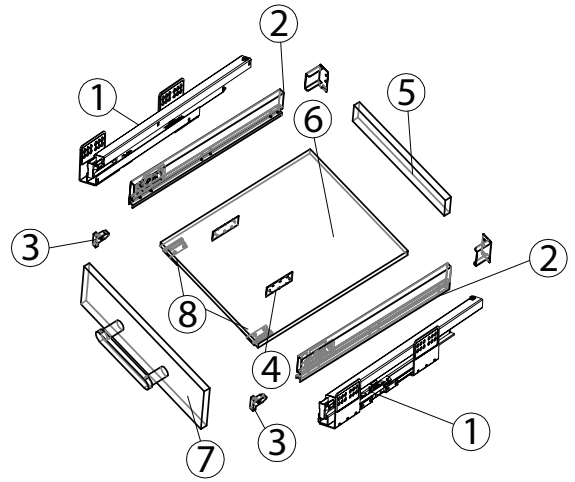
Drawer Mounting & Dimensions



SLIM SIDED STEEL DRAWER BOX SOLUTION FOR APPLICATION WITH UNDERMOUNT RUNNERS

EXCEL DRAWER BOX Dark Grey	
R900A0135089DG	350x89mm
R900A0140089DG	400x89mm
R900A0145089DG	450x89mm
R900A0150089DG	500x89mm
R900C01450152DG	450x152mm
R900C01500152DG	500x152mm
R900D01450185DG	450x185mm
R900D0150185DG	500x185mm

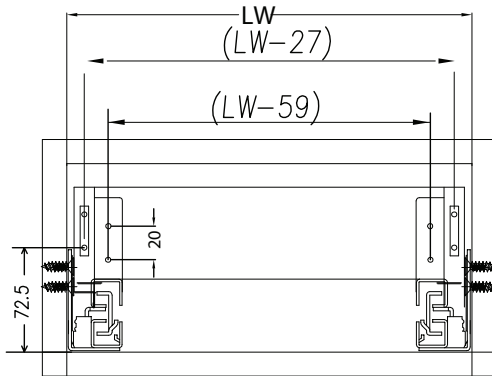
EXCEL DRAWER BOX White	
R900A0135089W	350X89mm
R900A0140089W	400X89mm
R900A0145089W	450X89mm
R900A0150089W	500X89mm
R900C01450152W	450X152mm
R900C01500152W	500X152mm
R900D01450185W	450X185mm
R900D0150185W	500X185mm



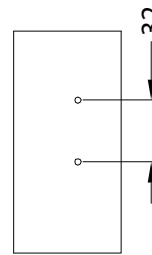
Back Plate (B Plate)
Height 89mm = 62mm
Height 152mm = 126mm
Height 185mm = 158mm

Back Plate (A Plate)
L-300mm=288mm
L-400mm=388mm
L-450mm=438mm
L-500mm=488mm
L-550mm=538mm

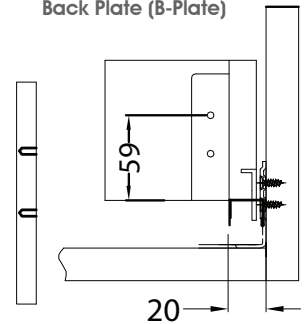
KB : Cabinet Width
WL : Internal Cabinet Width
NL: Normal Length



Front Plate (C-Plate)

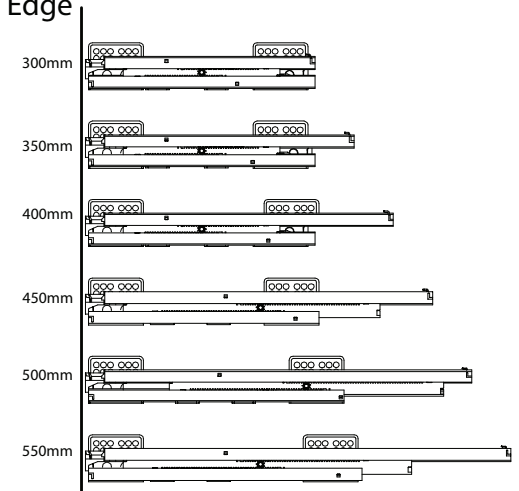
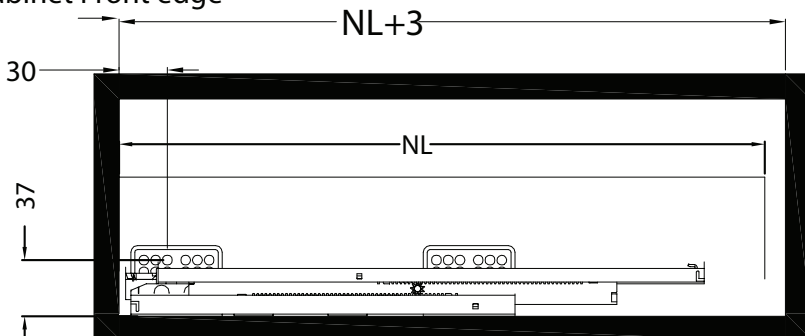


Back Plate (B-Plate)



Cabinet Front Edge

Cabinet Front edge



SLOWMOTION ZETA ANYWAY SOFT CLOSE MECHANISM RETROFIT

Universal solution suitable for all Uniset Drawers and Standard Drawer Runners. The unit is symmetrical and reversible with an anti-lift system.

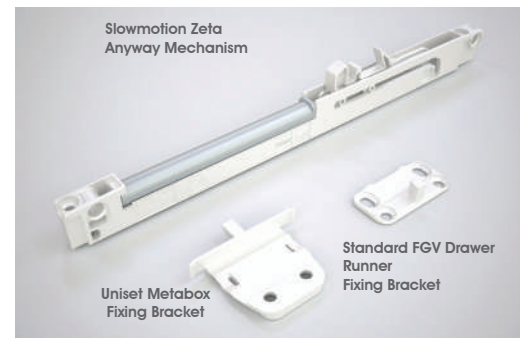
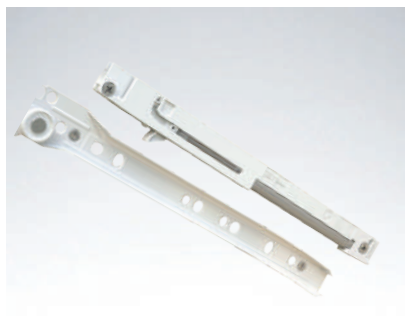


TABLE SHOWING NUMBER OF SLOWMOTION ZETA ANYWAY RECOMMENDED:

		BASE					
		300 350	400 450	500	600	700	800 900
DEPTH	270	1	1	1	1	2	2
	300	1	1	1	1	2	2
	350	1	1	1	1	2	2
	400	1	1	1	1	2	2
	450	1	1	1	2	2	2
	500	1	1	2	2	2	2
	550	1	1	2	2	2	2
600	1	1	2	2	2	2	

ZETA ANYWAY SLOWMOTION MECHANISM

RF5907201ZOX020

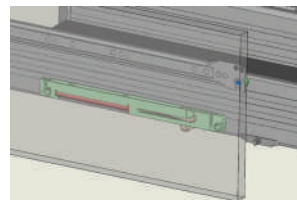
ZETA BRACKET FOR STANDARD DRAWER RUNNER TS

RF59072S01Z0020

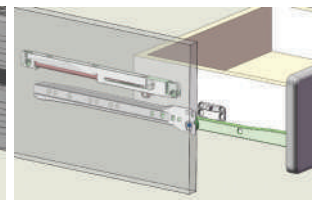
ZETA BRACKET FOR UNISET/METABOX FIXING BRACKETS

RF59072D01Z0020

FGV UNISET DRAWER APPLICATION



STANDARD FGV DRAWER RUNNER APPLICATION



FGV ECONOMY SLIDES



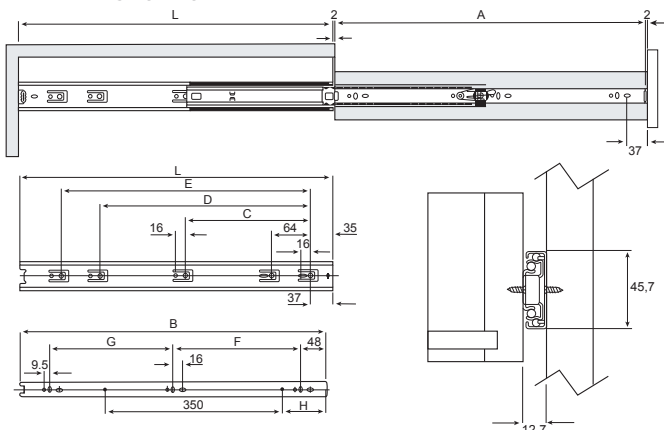
DRAWER RUNNER WHITE - FGV

RTS603WH	400mm
RTS604WH	450mm
RTS605WH	500mm

- Self Closing
- Dynamic load: 25kg
- 1.2mm thick
- Bottom mounting
- Tested to 50,000 cycles

FGV ECONOMY BALL BEARING SLIDES

SIDE FIXING POSITIONS



BALL BEARING RUNNER FULL EXTENSION - 45mm

RTS613	400mm
RTS614	450mm
RTS615	500mm



- Full Extension
- Dynamic load: 45kg
- Side Fixing
- Unlocking Device
- Tested to 50,000 cycles



DRAWER INSTALLATION DIMENSIONS

L	A	B	C	D	E	F	G	H
300	300	295	224	-	-	96	128	-
350	350	345	224	-	-	128	128	-
400	400	395	224	288	-	160	160	-
450	450	445	224	352	-	160	192	81
500	500	495	224	352	416	192	224	-
550	550	545	224	352	416	224	224	-
600	600	595	224	352	480	256	256	-