



Since 1983

CHAD-O-CHEF

Lifestyle products

- Fireplaces & Firepits -





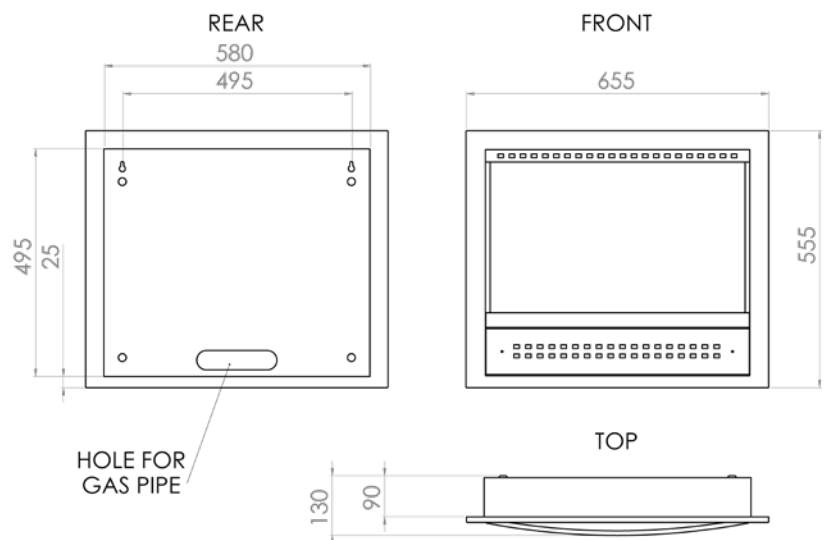
Hanging Fireplace

- VFP 500 -

The Hanging Fireplace is perfect for small apartment homes, where extensive building isn't an option.

The Hanging Fireplace is designed to hang like a picture frame on the wall, with minimum overhang into the home.

Stainless steel, Heat resistant coatings, tempered Fireglass and tasteful design application come together to create ambient warmth in areas of the home up to 44m².



SAFETY, STYLE & QUALITY THAT LASTS

Since 1983
CHAD-O-CHEF
Lifestyle products



Hanging Fireplace

- VFP 500 -



SPECIFICATIONS

<i>Model</i>	VFP500
<i>Gas type</i>	LPG or Nat.
<i>Operating pressure</i>	2,8 kPa
<i>Min. Regulator size</i>	2 kg/hr
<i>Gas consumption (Max.)</i>	0.26 kg/hr
<i>mJ input (Max.)</i>	13 mJ/hr
<i>kW input (Max.)</i>	3.6 kW/hr
<i>Gas inlet connection</i>	Ø8mm comp.
<i>Ignition</i>	Piezo Spark
<i>Oxygen Depletion System (ODS)</i>	min 18.5% O ₂
<i>Coals</i>	0
<i>Pebbles</i>	0
<i>Min. Room size</i>	35m ³
<i>Max. Room size</i>	144m ³ (44m ²)

FIREPLACE FINISHES

Stainless Frame
Plain Back



Stainless Frame
Plain Back

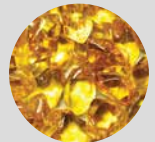


BURNER FINISHES

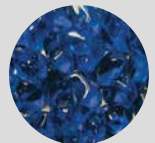
Black Ceramic
Ash



Aztec Gold
Glass



Azure Blue
Glass



Crystal Clear
Glass



Diamond Black
Glass



INSTALLATION INSTRUCTIONS

The Hanging Fireplace is designed to hang on two rawl plugs fitted into a wall, where the gas pipe can be neatly hidden behind the Fireplace, leading to a 9kg gas bottle behind the wall.

The wall housing the fireplace needs to be made from a non-combustible material (e.g. brickwork).



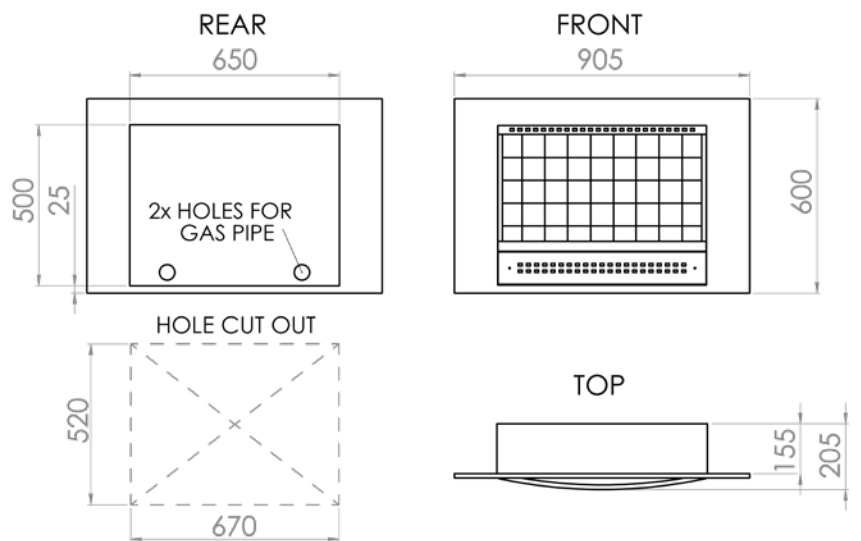


Picture Fireplace

- VFP 700 -

The Picture Fireplace has been designed to add a contemporary ambience to a medium sized home, or for easily revamping an outdated fireplace, to bring your home up to date again.

The Picture Fireplace utilizes brushed stainless steel, heat resistant coatings, tempered fire glass and tasteful design application, to heat up spaces in homes up to 72m².



SAFETY, STYLE & QUALITY THAT LASTS

Since 1983
CHAD-O-CHEF
Lifestyle products



Picture Fireplace

- VFP 700 -



SPECIFICATIONS

<i>Model</i>	VFP700
<i>Gas type</i>	LPG or Nat.
<i>Operating pressure</i>	2,8 kPa
<i>Min. Regulator size</i>	2 kg/hr
<i>Gas consumption (Max.)</i>	0.42 kg/hr
<i>mJ input (Max.)</i>	21 mJ/hr
<i>kW input (Max.)</i>	6 kW/hr
<i>Gas inlet connection</i>	Ø8mm comp.
<i>Ignition</i>	Piezo Spark
<i>Oxygen Depletion System (ODS)</i>	min 18.5% O ₂
<i>Coals</i>	7
<i>Pebbles</i>	7
<i>Min. Room size</i>	56m ³
<i>Max. Room size</i>	233m ³ (72m ²)

INSTALLATION INSTRUCTIONS

The Picture Fireplace is best installed into a 160-200mm deep aperture in a wall, in a single sided orientation. The hole can also be in a box, built off of an existing wall.

There are two holes positioned in the back of the fireplace for a gas pipe to be led into the fireplace.

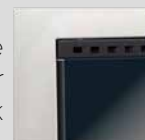
The shallow depth of the Picture Fireplace means it is easily added into existing homes without taking up too much space into a pre-existing wall.

FIREPLACE FINISHES

Stainless Frame
Plain Back



Stainless Frame
Midnight Mirror
Back



Black Frame
Plain Back



Black Frame
Midnight Mirror
Back



BURNER FINISHES

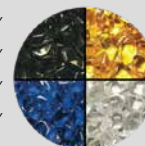
White Ceramic
Pebbles



Black Ceramic
Coals



Diamond Black/
Aztec Gold/
Azure Blue/
Crystal Clear/
Fire Glass



CHAD-O ENGINEERING
T: 011 668 1910/1 | F: 086 612 5431
retail@chad-o-chef.co.za | www.chad-o-chef.co.za



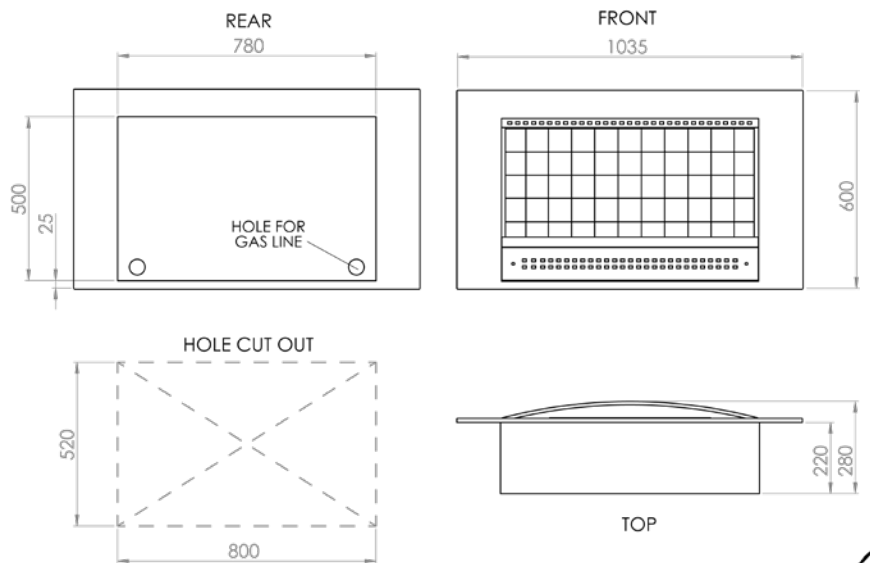


Classic Fireplace

- VFP 800 -

The Classic Fireplace is a timeless addition to the home. Capable of heating an area in a large home of up to 108m².

Merging elements of stainless steel, heat resistant coatings, tempered fireglass and tasteful design application, the Classic Fireplace creates a warm ambience in any setting.



SAFETY, STYLE & QUALITY THAT LASTS

CHAD-O-CHEF
Lifestyle products

Since 1983



Classic Fireplace

- VFP 800 -



SPECIFICATIONS

<i>Model</i>	VFP800
<i>Gas type</i>	LPG / Nat.
<i>Operating pressure</i>	2.8 kPa
<i>Min. Regulator size</i>	2 kg/hr
<i>Gas consumption (Max.)</i>	0.64 kg/hr
<i>mJ input (Max.)</i>	36 mJ/hr
<i>kW input (Max.)</i>	9 kW/hr
<i>Gas inlet connection</i>	Ø8mm comp.
<i>Ignition</i>	Piezo Spark
<i>Oxygen Depletion System (ODS)</i>	min 18.5% O ₂
<i>Coals</i>	14
<i>Pebbles</i>	12
<i>Min. Room size</i>	97m ³
<i>Max. Room size</i>	399m ³ (108m ²)

FIREPLACE FINISHES

Stainless Frame
Plain Back



Stainless Frame
Midnight Mirror
Back



Black Frame
Plain Back



Black Frame
Midnight Mirror
Back



BURNER FINISHES

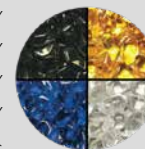
White Ceramic
Pebbles



Black Ceramic
Coals



Diamond Black/
Aztec Gold/
Azure Blue/
Crystal Clear/
Glass



INSTALLATION INSTRUCTIONS

The Classic Fireplace is best installed into a 250-300mm deep aperture in a wall, in a single sided orientation. The aperture in the wall needs the support of a load bearing lintel above the Classic fireplace, before it can be installed.

There are two holes in the Stainless Steel body of the Classic Fireplace for a gas line to be easily installed from behind.



CHAD-O ENGINEERING
T: 011 668 1910/1 | F: 086 612 5431
retail@chad-o-chef.co.za | www.chad-o-chef.co.za



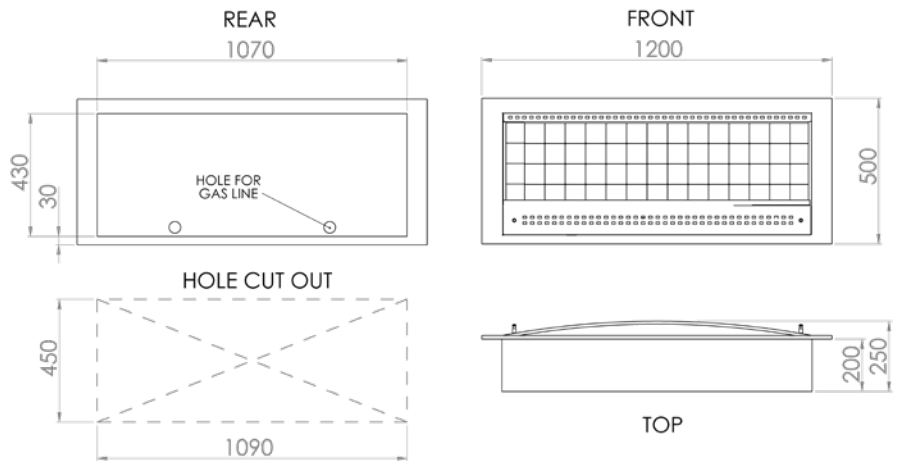


Contemporary Fireplace

- VFP 1000 -

The Contemporary Fireplace features a wide viewing angle and is capable of heating an area of 144m² in a large open plan home.

The Contemporary Fireplace combines elements of stainless steel, heat resistant coatings, tempered fireglass and tasteful design application, effortlessly creating a warm ambience in the main living area of any extremely large home.



SAFETY, STYLE & QUALITY THAT LASTS

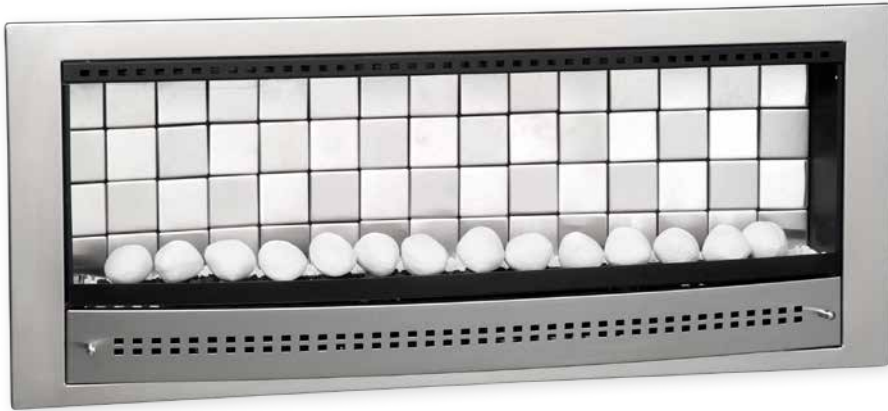
CHAD-O-CHEF
Lifestyle products

Since 1983



Contemporary Fireplace

- VFP 1000 -



SPECIFICATIONS

<i>Model</i>	VFP1000
<i>Gas type</i>	LPG or Nat.
<i>Operating pressure</i>	2,8 kPa
<i>Min. Regulator size</i>	2 kg/hr
<i>Gas consumption (Max.)</i>	0.84 kg/hr
<i>mJ input (Max.)</i>	42 mJ/hr
<i>kW input (Max.)</i>	12 kW/hr
<i>Gas inlet connection</i>	Ø8mm comp.
<i>Ignition</i>	Piezo Spark
<i>Oxygen Depletion System (ODS)</i>	min 18.5% O ₂
<i>Coals</i>	14
<i>Pebbles</i>	14
<i>Min. Room size</i>	113m ³
<i>Max. Room size</i>	466m ³ (144m ²)

INSTALLATION INSTRUCTIONS

The Contemporary Fireplace is best installed into a 200-250mm deep aperture in a wall, in a single sided orientation.

The aperture in the wall needs the support of a single load bearing lintel above the Contemporary Fireplace, before it can be installed.

There are two holes in the Stainless Steel body of the Contemporary Fireplace for a gas line to be easily installed from behind.

FIREPLACE FINISHES

Stainless Frame
Plain Back



Stainless Frame
Midnight Mirror
Back



Black Frame
Plain Back



Black Frame
Midnight Mirror
Back



BURNER FINISHES

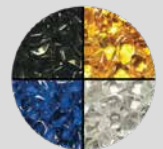
White Ceramic
Pebbles



Black Ceramic
Coals



Diamond Black/
Aztec Gold/
Azure Blue/
Crystal Clear/
Glass



CHAD-O ENGINEERING

T: 011 668 1910/1 | F: 086 612 5431
retail@chad-o-chef.co.za | www.chad-o-chef.co.za





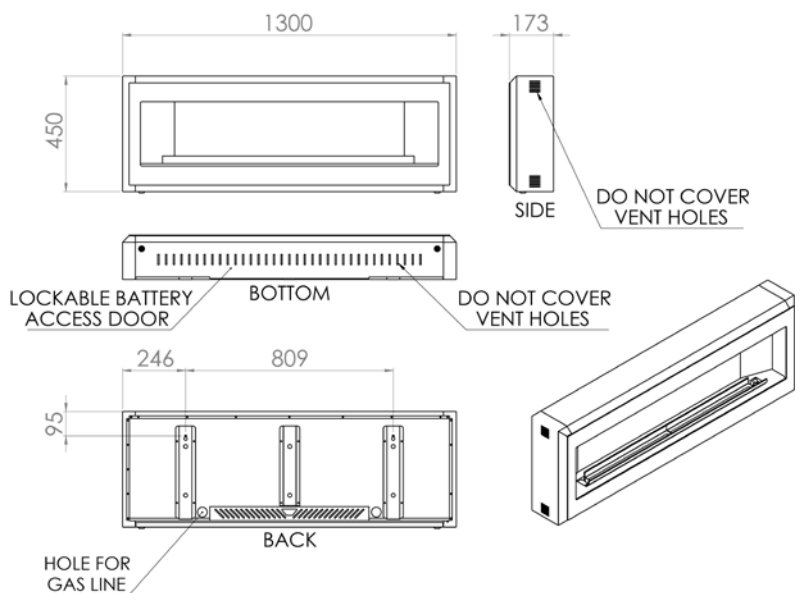
Elegance Fireplace

- VFE 210 -

The Elegance Fireplace features timeless style and sophistication with its luxurious textures, clean lines and neutral tones.

Easily heat up a large area of 48m^3 or 147m^2 using the latest burner technology, providing you with superior efficiency and clean burning.

All of this at a touch of a button, using a state-of-the-art remote system, ensuring the user a 5-Star experience every time.



Elegance Fireplace

- VFE 210 -



SPECIFICATIONS

<i>Model</i>	VFE210
<i>Gas type</i>	LPG or Nat.
<i>Operating pressure</i>	2,8 kPa
<i>Min. Regulator size</i>	2 kg/hr
<i>Gas consumption (Max.)</i>	0.88 kg/hr
<i>mJ input (Max.)</i>	44 mJ/hr
<i>kW input (Max.)</i>	12.2 kW/hr
<i>Gas inlet connection</i>	Ø8mm comp.
<i>Ignition</i>	Remote
<i>Oxygen Depletion System (ODS)</i>	min 18.5% O ₂
<i>Min. Room size</i>	119m ³
<i>Max. Room size</i>	489m ³ (147m ²)

FIREPLACE FINISHES

Stainless Steel
Casing

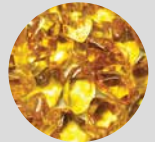


Black Casing

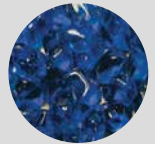


BURNER FINISHES

Aztec Gold
Glass



Azure Blue
Glass



Crystal Clear
Glass



Diamond Black
Glass



INSTALLATION INSTRUCTIONS

The Elegance Fireplace is designed to hang on a wall using 2 wall bolts fitted into the wall. Use the stencil provided to easily mark where the bolts need to be drilled in before hanging the fireplace.

There are two holes in the body of the Elegance Fireplace for a gas line to be easily installed from behind.

Follow the easy instructions to pair your remote to the receiver for the first-time use only.



CHAD-O ENGINEERING

T: 011 668 1910/1 | F: 086 612 5431
retail@chad-o-chef.co.za | www.chad-o-chef.co.za





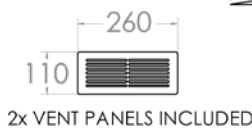
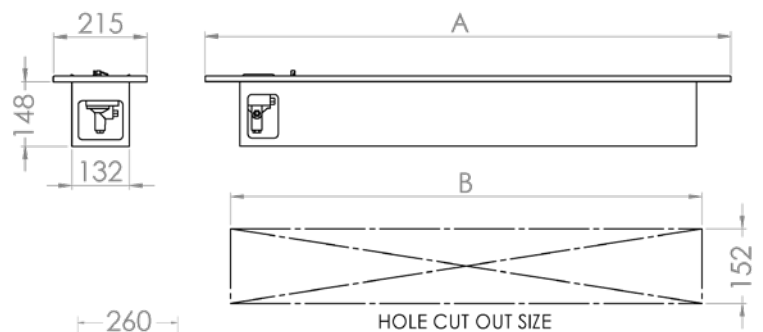
Flameline Drop-In

- VFSL 810-1610 -

The Flameline Drop-In Fireplace features an elegant & minimalistic, fully Stainless Steel form factor. Embracing Avant-Garde styling found in modern homes.

Leading aesthetics is accompanied by a new burner design, aimed at lowering Gas consumption and improving heat output.

Available in three sizes for medium to large open-plan spaces, the Flameline Drop-In fireplace comfortably heats up 70m², 147m² and 181m² spaces respectively.



MODEL	SIZE (A)	SIZE (B)
VFSL-800	760	650
VFSL-1200	1210	1100
VFSL-1600	1660	1550

Flameline Drop-In

- VFSL 810-1610 -



SPECIFICATIONS

Model	VFSL810	VFSL1210	VFSL1610
Gas type	LPG or Nat.	LPG or Nat.	LPG or Nat.
Operating pressure	2,8 kPa	2,8 kPa	2,8 kPa
Min. Regulator size	2 kg/hr	2 kg/hr	2 kg/hr
Gas consumption (Max.)	0.42 kg/hr	0.88 kg/hr	1.08 kg/hr
mJ input (Max.)	21 mJ/hr	44 mJ/hr	54 mJ/hr
kW input (Max.)	5.8 kW/hr	12.2 kW/hr	15 kW/hr
Gas inlet conn.	Ø8mm comp.	Ø8mm comp.	Ø8mm comp.
Ignition	Piezo Spark	Piezo Spark	Piezo Spark
Oxygen Depletion System (ODS)	min 18.5% O ₂	min 18.5% O ₂	min 18.5% O ₂
Coals	N/A	N/A	N/A
Pebbles	N/A	N/A	N/A
Min. Room size	57m ³	119m ³	146m ³
Max. Room size	233m ³ (70m ²)	489m ³ (147m ²)	598m ³ (181m ²)

INSTALLATION INSTRUCTIONS

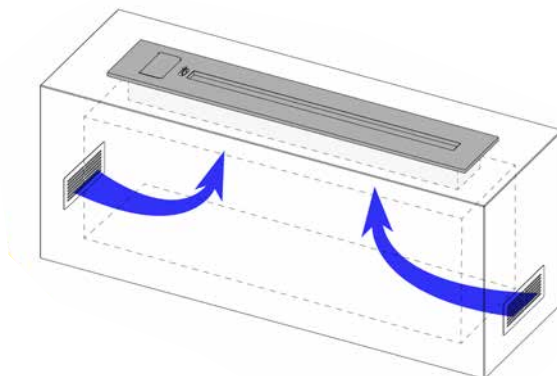
The cut out made in the structures surface needs to be made in a non-combustible material (e.g. cement), with the appropriate amount of cross flowing ventilation available into the box housing the Drop-In Fireplace, as depicted below.

Please call us to discuss single sided installations.



The Chad-O-Chef - Drop-In Fireplace requires sufficient Ventilation in order to function correctly.

Inadequate oxygen supply to the unit will affect the clean burning nature of the fireplace and further, cause the ODS safety System to cut out the gas supply to the unit completely.



FIREPLACE FINISHES

Stainless Steel

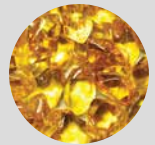


Midnight Mirror

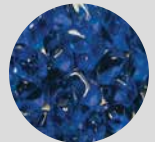


BURNER FINISHES

Aztec Gold Glass



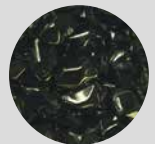
Azure Blue Glass



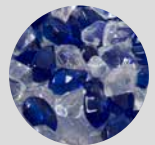
Crystal Clear Glass



Diamond Black Glass



Mix 'n Match Glass



Mix 'n Match Glass





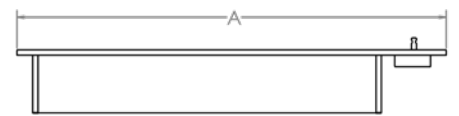
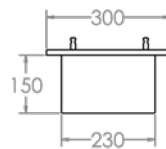
Drop-In Fireplace

- VFDI 800-1200 -

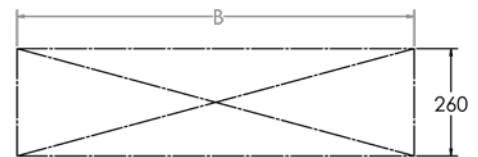
The Drop-In Fireplace is ideal for heating up large open-plan spaces, with its sleek and minimalistic design.

The Drop-In Fireplace comes together through the use of brushed stainless steel, heat resistant coatings, tempered glass and tasteful design application.

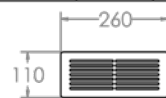
Available in three sizes for medium sized to extremely large open-plan spaces, the Drop-In Fireplace is able to comfortably heat up 108m², 131m² and 163m² spaces respectively



MODEL	SIZE (A)	SIZE (B)
VFDI-800	780	720
VFDI-1000	1040	980
VFDI-1200	1180	1120



CUT OUT SIZE



2x VENT PANELS INCLUDED

Drop-In Fireplace

- VFDI 800-1200 -



SPECIFICATIONS

Model	VFDI800	VFDI1000	VFDI1200
Gas type	LPG or Nat.	LPG or Nat.	LPG or Nat.
Operating pressure	2,8 kPa	2,8 kPa	2,8 kPa
Min. Regulator size	2 kg/hr	2 kg/hr	2 kg/hr
Gas consumption (Max.)	0.64 kg/hr	0.75 kg/hr	0.84 kg/hr
mJ input (Max.)	36 mJ/hr	37.5 mJ/hr	49 mJ/hr
kW input (Max.)	9 kW/hr	10.6 kW/hr	12 kW/hr
Gas inlet connection	Ø8mm comp.	Ø8mm comp.	Ø8mm comp.
Ignition	Piezo Spark	Piezo Spark	Piezo Spark
Oxygen Depletion System (ODS)	min 18.5% O ₂	min 18.5% O ₂	min 18.5% O ₂
Coals	14	22	24
Pebbles	12	18	20
Min. Room size	97m ³	101m ³	132m ³
Max. Room size	399m ³ (108m ²)	416m ³ (131m ²)	544m ³ (163m ²)

INSTALLATION INSTRUCTIONS

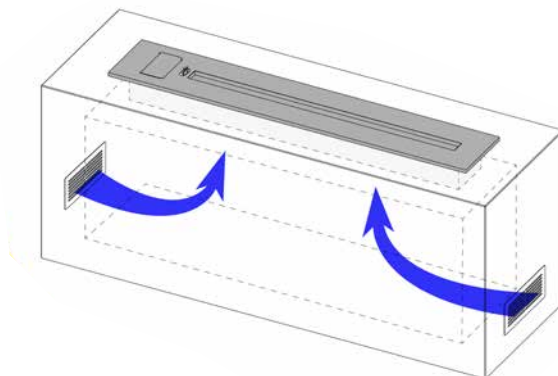
The Drop-In Fireplace is designed to drop into a hole cut out of a surface (e.g. a kitchen work surface).

The hole in the surface needs to be made in a non-combustible material (e.g. cement), with the appropriate amount of cross flowing ventilation available into the box housing the Drop-In Fireplace, as depicted below.



The Chad-O-Chef - Drop-In Fireplace requires sufficient Ventilation in order to function correctly.

Inadequate oxygen supply to the unit will affect the clean burning nature of the fireplace and further, cause the ODS safety System to cut out the gas supply to the unit completely.



FIREPLACE FINISHES

Stainless Frame



Black Frame



BURNER FINISHES

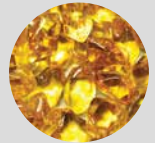
White Ceramic Pebbles



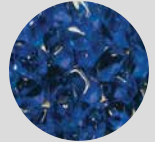
Black Ceramic Coals



Aztec Gold Glass



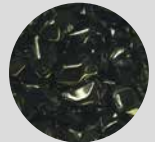
Azure Blue Glass



Crystal Clear Glass



Diamond Black Glass



CHAD-O ENGINEERING

T: 011 668 1910/1 | F: 086 612 5431
 retail@chad-o-chef.co.za | www.chad-o-chef.co.za





Double Sided Fireplace

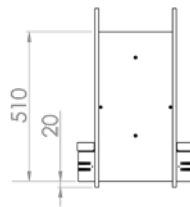
- VFDS 800/1000 -

The Double Sided Fireplace is ideal for heating up a space in the home where a dividing wall separates two areas or rooms.

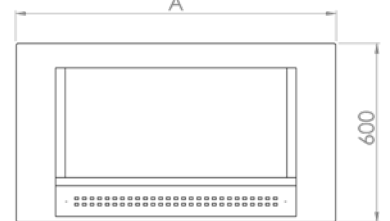
Available in two sizes and multiple finish options, the Double Sided Fireplace is the perfect fit when creating two feature areas that share a common wall.

The Double Sided 800 and 1000 is capable of heating a combined area of 108m² and 131m² respectively.

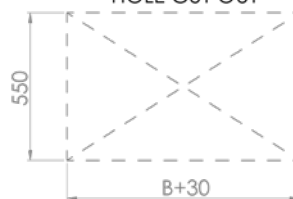
SIDE



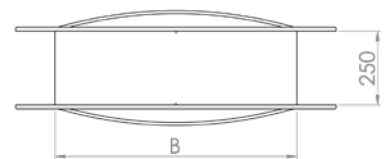
FRONT
A



HOLE CUT OUT



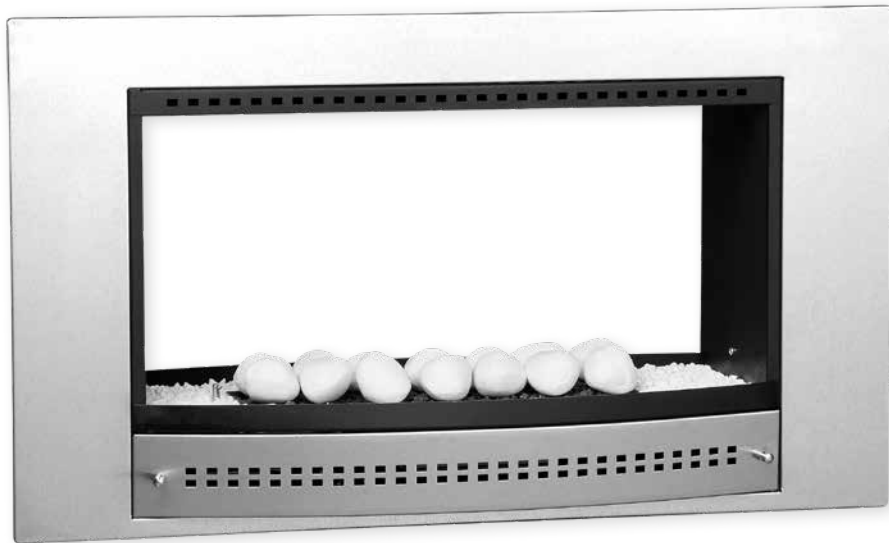
TOP



MODEL	SIZE (A)	SIZE (B)
VFDS-800	1070	810
VFDS-1000	1220	980

Double Sided Fireplace

- VFDS 800/1000 -



SPECIFICATIONS

Model	VFDS800	VFDS1000
Gas type	LPG or Nat.	LPG or Nat.
Operating pressure	2,8 kPa	2,8 kPa
Min. Regulator size	2 kg/hr	2 kg/hr
Gas consumption (Max.)	0.64 kg/hr	0.75 kg/hr
mJ input (Max.)	36 mJ/hr	37.5 mJ/hr
kW input (Max.)	9 kW/hr	10.6 kW/hr
Gas inlet connection	Ø8mm comp.	Ø8mm comp.
Ignition	Piezo Spark	Piezo Spark
Oxygen Depletion System (ODS)	min 18.5% O ₂	min 18.5% O ₂
Coals	14	22
Pebbles	12	18
Min. Room size	97m ³	101m ³
Max. Room size	399m ³ (108m ²)	416m ³ (131m ²)

INSTALLATION INSTRUCTIONS

The Double Sided Fireplace is designed to fit through a cut out in a Double brick wall, and has clearance for +-10mm of screeding on either side of the wall.

The aperture in the wall needs the support of two load bearing lintels above the Double sided fireplace, before it can be installed.

FIREPLACE FINISHES

Stainless Frame



Black Frame



BURNER FINISHES

White Ceramic Pebbles



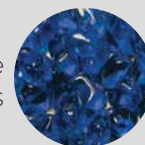
Black Ceramic Coals



Aztec Gold Glass



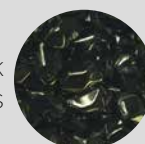
Azure Blue Glass



Crystal Clear Glass



Diamond Black Glass





Universal Grate

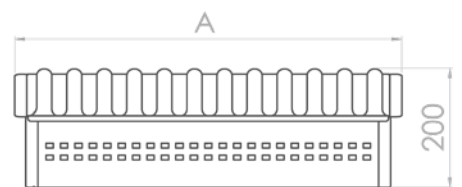
- VFG 600-1000 -

*Universal Grate does not include Mantle Piece or Fireplace

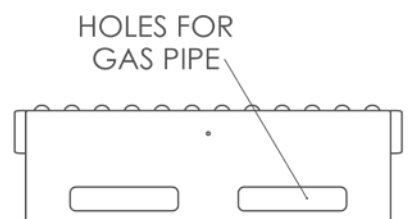
The Universal Grate Fireplace adds the rustic feeling of a traditional fire grate to the home. All be it with the ease of the modern flueless gas operation.

Powder coated steel, merged with timeless white or black ceramic finishes and a touch of magic, come together to create rustic ambience.

The Universal Grate is available in multiple sizes to fit any fireplace.



MODEL	SIZE (A)
VFG-600	550
VFG-700	650
VFG-800	750
VFG-1000	950



Universal Grate

- VFG 600-1000 -



BURNER FINISHES



SPECIFICATIONS

Model	VFG600	VFG700/800	VFG1000
Gas type	LPG or Nat.	LPG or Nat.	LPG or Nat.
Operating pressure	2,8 kPa	2,8 kPa	2,8 kPa
Min. Regulator size	2 kg/hr	2 kg/hr	2 kg/hr
Gas consumption (Max.)	0,56 kg/hr	0,64 kg/hr	0,84 kg/hr
mJ input (Max.)	31 mJ/hr	36 mJ/hr	49 mJ/hr
kW input (Max.)	8 kW/hr	9 kW/hr	13,6 kW/hr
Gas inlet conn.	Ø8mm comp.	Ø8mm comp.	Ø8mm comp.
Ignition	Piezo Spark	Piezo Spark	Piezo Spark
Oxygen Depletion System (ODS)	min 18,5% O ₂	min 18,5% O ₂	min 18,5% O ₂
Coals	12	14	20
Pebbles	10	12	20
Min. Room size	92m ³	97m ³	107m ³
Max. Room size	344m ³ (103m ²)	398m ³ (108m ²)	544m ³ (163m ²)

INSTALLATION INSTRUCTIONS

The Universal Grate Fireplace is designed to easily retrofit into an existing traditional single sided wood burning fireplace. There is ample room for your gas installer to lead the gas pipe in from behind the fireplace.

The Universal Grate is a Flueless Fireplace, the chimney needs to be closed off in order to keep heat inside the home.





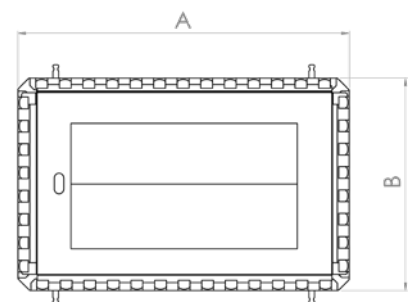
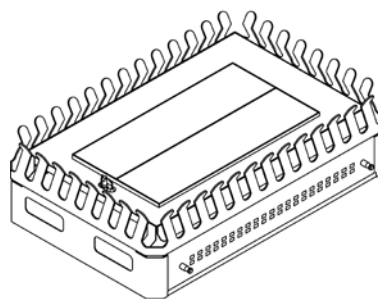
Universal Grate Double Sided

- VFGD 700-800 -

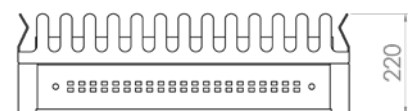
*Universal Double Sided Grate does not include Firebox

The Universal Grate Double Sided is designed to be retrofitted into new or existing fireplace boxes. It replaces the older wood burning grates, giving you the traditional look, with the ease of Gas heating and zero cleaning afterwards.

The Universal Grate Double Sided comes in two sizes and is perfect for very large traditionally styled spaces, with its ability to heat 132m², with an all round viewing angle.



Model	A	B
700	705	460
800	815	560



Universal Grate Double Sided

- VFGD 700-800 -



SPECIFICATIONS

<i>Model</i>	<i>VFGD 700/800</i>
<i>Gas type</i>	<i>LPG or Nat.</i>
<i>Operating pressure</i>	<i>2.8 kPa</i>
<i>Min. Regulator size</i>	<i>2 kg/hr</i>
<i>Gas consumption (Max.)</i>	<i>0.79 kg/hr</i>
<i>mJ input (Max.)</i>	<i>39.5 mJ/hr</i>
<i>kW input (Max.)</i>	<i>11 kW/hr</i>
<i>Gas inlet connection</i>	<i>Ø8mm comp.</i>
<i>Ignition</i>	<i>Piezo Spark</i>
<i>Oxygen Depletion System (ODS)</i>	<i>min 18.5% O₂</i>
<i>Coals</i>	<i>28</i>
<i>Pebbles</i>	<i>24</i>
<i>Min. Room size</i>	<i>107m³</i>
<i>Max. Room size</i>	<i>438m³ (132m²)</i>

BURNER FINISHES

White Ceramic
Pebbles



Black Ceramic
Coals



Aztec Gold
Glass



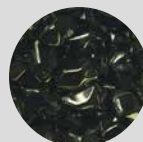
Azure Blue
Glass



Crystal Clear
Glass



Diamond Black
Glass



INSTALLATION INSTRUCTIONS

The Universal Grate Double Sided Fireplace is designed to easily retrofit into an existing traditional double sided Wood burning fireplace. There is ample room for your gas installer to lead the gas pipe in from underneath the fireplace.

The Universal Grate Double Sided is a Flueless Fireplace, the chimney needs to be closed off, to keep heat inside the home.



CHAD-O ENGINEERING
T: 011 668 1910/1 | F: 086 612 5431
retail@chad-o-chef.co.za | www.chad-o-chef.co.za





Outdoor Firepit

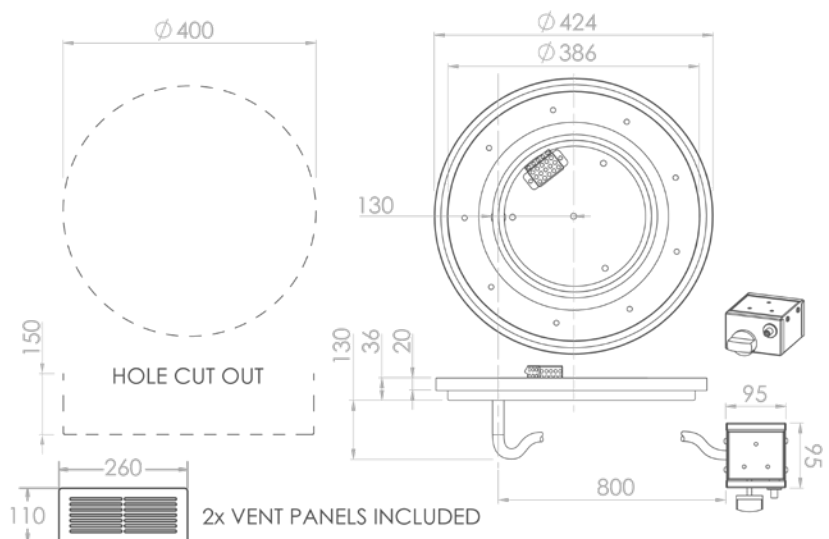
- OFP 400 -

The Outdoor Gas Firepit kit creates a beautiful ambience in your outdoor entertainment area.

The retrofittable design of the OFP-400 allows one to easily replace the burner in existing wood burning firepits, with very little modification to the existing structure.

The Outdoor Firepit is also designed to work as an optional extra in firebowls by renowned South African firepit manufacturers.

*Outdoor Firepit does not include firebowl or brickwork (burner kit only)
 *Only available in silver Stainless Steel



Outdoor Firepit

- OFP 400 -

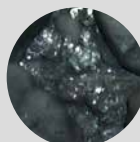


BURNER FINISHES

Gas Logs
+ Ceramic Ash



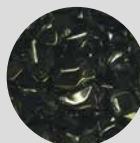
Black Ceramic
Ash



Azure Blue
Glass



Diamond Black
Glass



SPECIFICATIONS

<i>Model</i>	<i>OFP400</i>
<i>Gas type</i>	<i>LPG</i>
<i>Operating pressure</i>	<i>2.8 kPa</i>
<i>Min Regulator size</i>	<i>4 kg/hr</i>
<i>Max. gas consumption</i>	<i>0.82 kg/hr</i>
<i>Max. mJ input</i>	<i>41 mJ/hr</i>
<i>Max. kW input</i>	<i>11.4 kW/hr</i>
<i>Gas inlet connection</i>	<i>Ø8mm comp.</i>
<i>Ignition</i>	<i>Piezo Spark</i>
<i>ODS (Pilot jet)</i>	<i>min 18.5% O₂</i>
<i>Ceramic Ash</i>	<i>2kg</i>
<i>Gas Logs</i>	<i>5</i>

BUILDING INSTRUCTIONS

The Outdoor Firepit may be installed in any outdoor area, and is designed to function correctly with ample ventilation. Avoid areas where there are strong draughts, which may be generated by narrow walk ways, as excessive wind could affect the correct working of the burner.

Please adhere to the minimum clearances to combustible materials:

Above the firepit	1500 mm
To the sides of firepit	800 mm
Underneath the firepit	300 mm



CHAD-O ENGINEERING
T: 011 668 1910/1 | F: 086 612 5431
retail@chad-o-chef.co.za | www.chad-o-chef.co.za

