

victoria ⊕ albert®

volcanic limestone baths





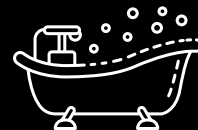
An elegant vision here to stay

Victoria + Albert baths was born out of a passion for luxury bathing. For over 20 years the in-house team has delivered stunning pieces to uphold our original bold artistic vision. The vision was simple: to set the standard for style, innovation and performance in bathing products. Today, we take pride in our excellence and products that are recognized in some of the world's most luxurious hotels and homes, and respected by interior design and architectural professionals.



A PASSION FOR DETAIL

We pride ourselves on attention to detail; from the quality craftsmanship and materials that go into each of our products, to the support from our expert customer services team.



AN INVESTMENT FOR LIFE

With the peace of mind of a 25-year domestic guarantee*, choosing Victoria + Albert is more than a purchase, it's an investment for life.

Terms and conditions:

- Guarantee limited to Quarrycast™ products only; excluding waste kits, accessories & decorative finishing. This does not affect your statutory rights.
- The exact colour and finish of products may vary from those depicted in this brochure. We always recommend that consumers visit their nearest Victoria + Albert approved stockist.
- Please note that not all feet shown on baths in this brochure are necessarily the feet that come standard with the bath.
- Please note that measurements are approximate and could vary slightly.



Rich in
Volcanic
Limestone™

What are the benefits of **QUARRYCAST™**?

QUARRYCAST™ is made from finely ground Volcanic Limestone™ mixed with resin. As the stone-rich alternative to both cast iron and acrylic it is 100% one piece, hand finished and packed with naturally desirable properties.



Easy to clean

The naturally glossy surface is easy to wipe clean.



Warm

Warm to the touch with high insulating properties, keeping your bath water warmer for longer.



Scratch and stain resistant

The Naturally white, glossy surface is incredibly durable, and resistant to hair dyes and bath oils.



Strong

QUARRYCAST™ is solid all the way through - more than twice as hard as acrylic with no creaking or flexing.



Lightweight

Surprisingly lightweight, the average weight of our baths are just 72kg.



Guaranteed

25 Year consumer guarantee, 8-year commercial guarantee.

- Guarantee limited to white QUARRYCAST™ products only; excluding exterior paint finish, taps, waste kits & plating on feet.
- This does not affect your statutory rights.

RAL – A world of colour

In addition to our existing standard paint finishes, we are now offering a spectrum of RAL colours, in either **gloss** or **matt** finishes.*

Each finish is multi-layered using a special catalysed paint, with hand polishing between applications. The technique yields a finish with exceptional depth and lustre, which is considerably more durable than hand painted surfaces.

Victoria + Albert Baths defines “gloss” at a 90% gloss level and “matt” at a 20% gloss level.

The RAL colour chart is an international colour chart, generally used to confirm colours for manufacturing goods. The colour finish will be ordered with its unique code, which can be used as a reference for ordering other items.

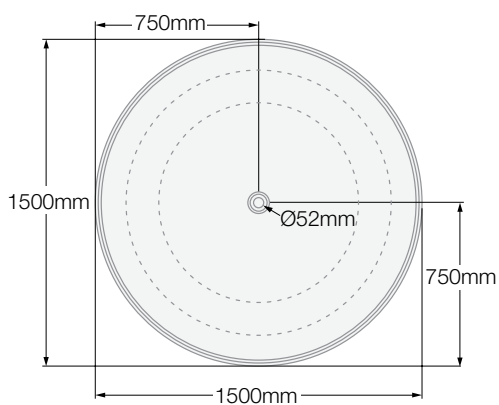
**A limited selection of colours will be available in South Africa; fluorescent colours will not be on offer.*



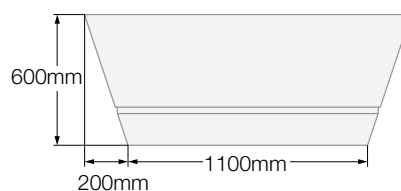


The opulent circular bath has been inspired by the fine porcelain designs of the Song Dynasty. The gently sloping sides are softened by a chamfered edge and sculpted detail at the base. Taizu is a spa-style centrepiece that is at home in the most luxurious bathrooms.

Top view



Side view



Weight | 95Kg

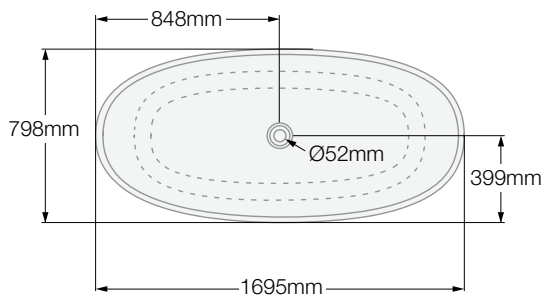
Recommended Kit | KIT 12 + 12 / 13C

Pescadero

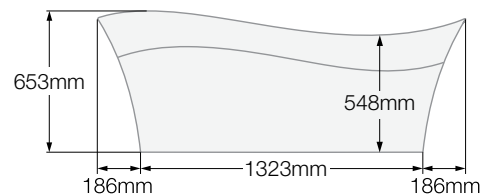


Inspired by the sea, our Pescadero bath features a unique "wave" shaped rim. Smart, sculpted details on the inside and outside of the bath create crisp shadow lines that accentuate the dynamic contours of the rim.

Top view



Side view



Weight | 77kg

Recommended Kit | KIT 12C + KIT 12 / 13C

Due to the design of the Pescadero it will be necessary to cut a small hole in the floor to accommodate the p-trap.

Barcelona

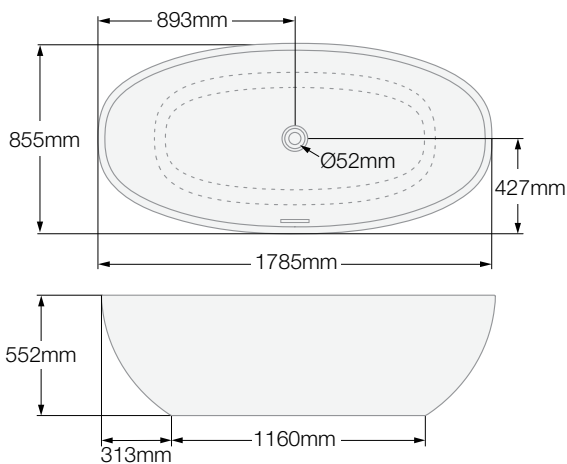
Barcelona 1



© Graystone Custom Builders + Ryan Garvin Photography v1

The Barcelona bath is deep and curvaceous. With an opulent oval shape and generous dimensions, it makes it a free standing bath that must be experienced. In addition to the Barcelona, the Barcelona 1 comes in at a compact size of 1500mm and features a void space underneath for waste plumbing.

Barcelona



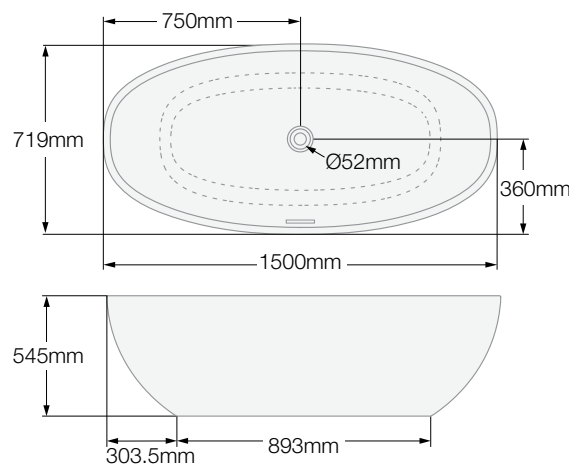
Weight | 97kg

Recommended Kit | KIT 12C + KIT 12 / 13C

Recommended Basin | Barcelona 48 / 55 / 64

Due to the design of the Barcelona it will be necessary to cut a small hole in the floor to accommodate the p-trap.

Barcelona 1



Weight | 87kg

Recommended Kit | KIT 12C + KIT 12 / 13C

Recommended Basin | Barcelona 48 / 55 / 64

Barcelona 2

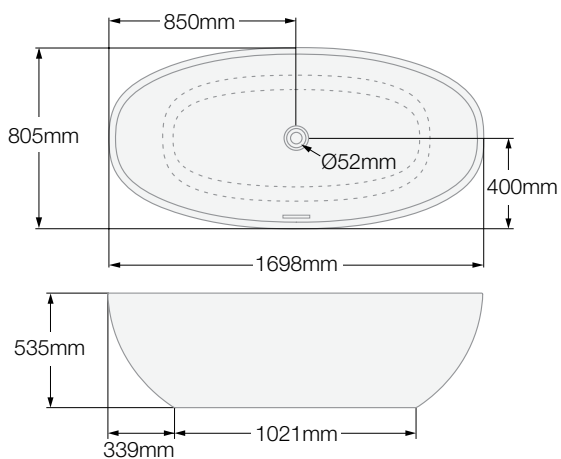
Barcelona 3



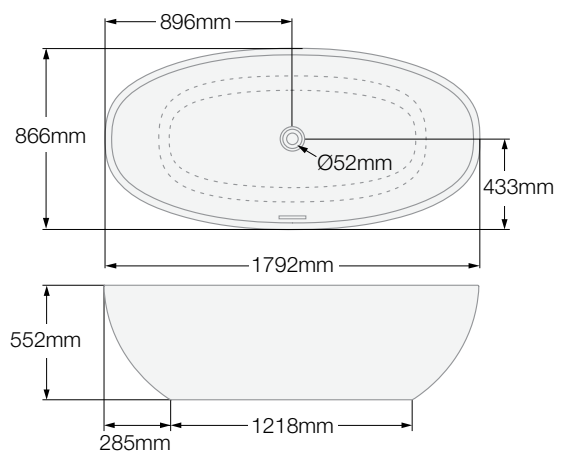
© Elizabeth Norris Design + Brian Sager Photography

The Barcelona 2 & 3 follows the same design aesthetic, but with more compact dimensions. These baths also feature a void space underneath for waste plumbing

Barcelona 2



Barcelona 3



Weight | 87kg

Recommended Kit | KIT 12C + KIT 12 / 13C

Recommended Basin | Barcelona 48 / 55 / 64

Weight | 93kg

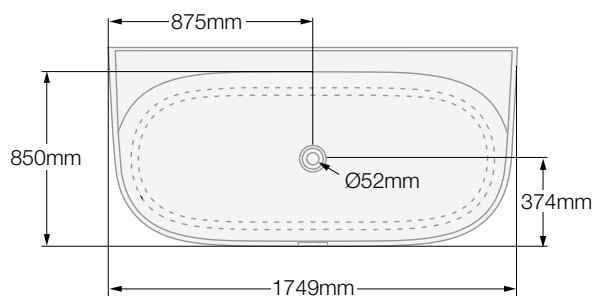
Recommended Kit | KIT 12C + KIT 12 / 13C

Recommended Basin | Barcelona 48 / 55 / 64

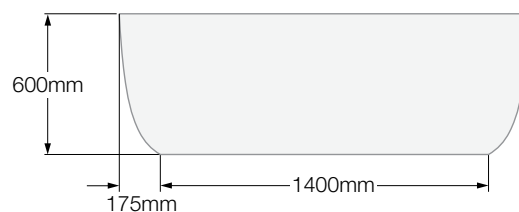


This contemporary back-to-wall bath is endowed with the curvaceous lines of a freestanding bath. A full width tap deck hides all waste pipework and a moulded upstand allows tiles to be easily installed.

Top view



Side view



Weight | 109kg

Recommended Kit | KIT 12C + KIT 12 / 13C

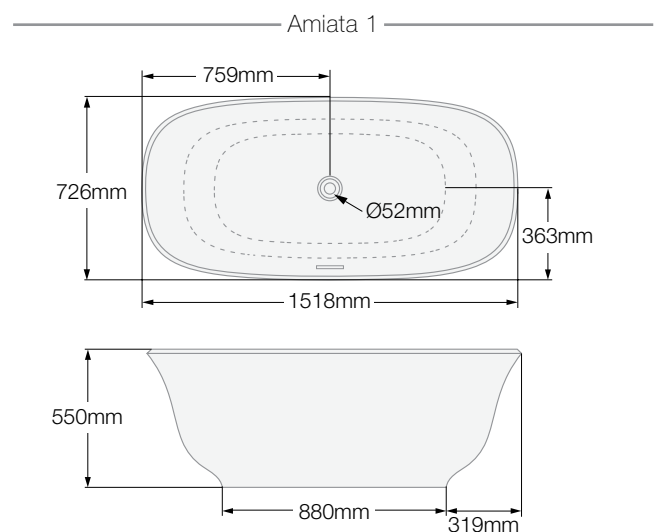
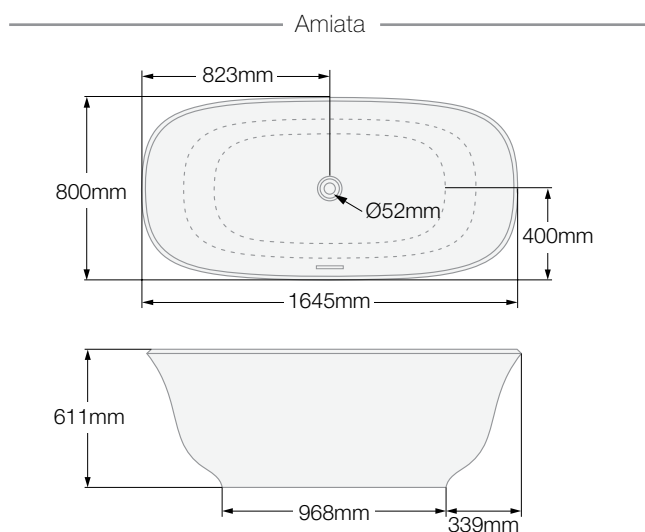
Amiata

Amiata 1



© Kate Walker Design + Brent Lukey Photography

The Amiata, designed by Menghello Paoletti Associati, provides elegant proportions with organic and ergonomic curves. This luxurious bath works perfectly in both traditional and modern spaces. In addition to the Amiata, the Amiata 1 comes in at a compact size of 1500mm and features a void space underneath for waste plumbing.



Weight | 65kg

Recommended Kit | KIT 12C + KIT 12 / 13C

Recommended Basin | Amiata 60

Due to the design of the Amiata it will be necessary to cut a small hole in the floor to accommodate the p-trap.

Weight | 84kg

Recommended Kit | KIT 12C + KIT 12 / 13C

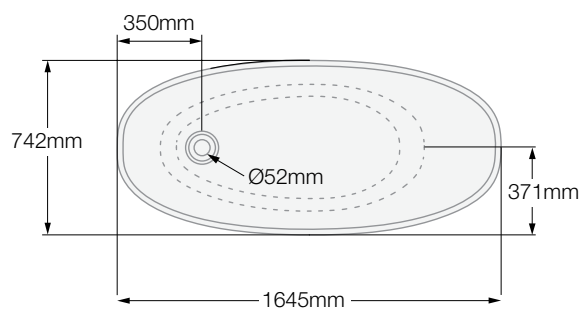
Recommended Basin | Amiata 60

Mozzano

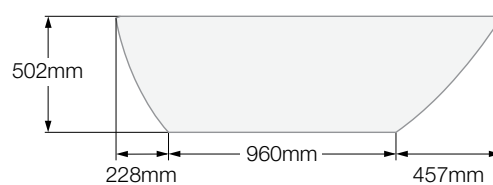


A beautifully crafted rimless freestanding bath, designed with confident curves and ergonomic design, the Mozzano delivers a strong architectural presence in compact bathroom spaces

Top view



Side view



Weight | 61kg

Recommended Kit | KIT 12C + KIT 12 / 13C

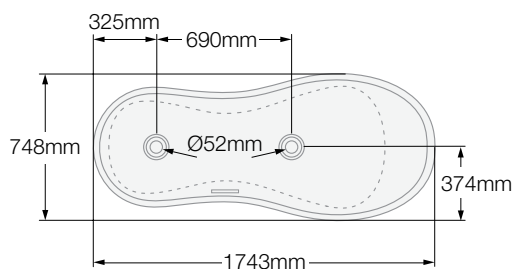
Due to the design of the Mozzano it will be necessary to cut a small hole in the floor to accommodate the p-trap.

Cabrits

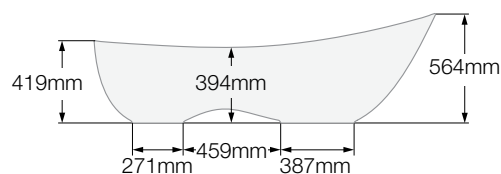


Contoured to fit the body, this freestanding bath, offers enhanced support for bathers of all sizes and is complemented by a low profile vessel basin. Ideal for a beautiful bathroom design.

Top view



Side view



Weight | 66kg

Recommended Kit | 2 x KIT 12C + 2 x KIT 12 / 13C

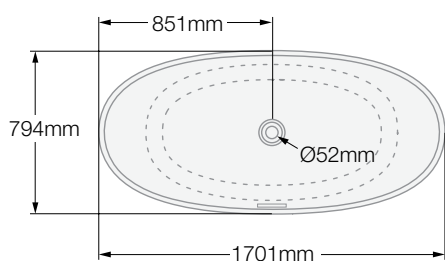
Recommended Basin | Cabrits 55

Due to the design of the Cabrits it will be necessary to cut a small hole in the floor to accommodate the p-trap.

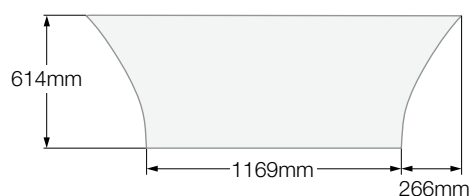


Following the success of the ios sit tub, the ionian is longer, providing a generous angle of recline for a fabulous soak. A distinctive variable width rim further enhances the subtle oval design.

Top view



Side view



Weight | 82kg

Recommended Kit | KIT 12C + KIT 12 / 13C

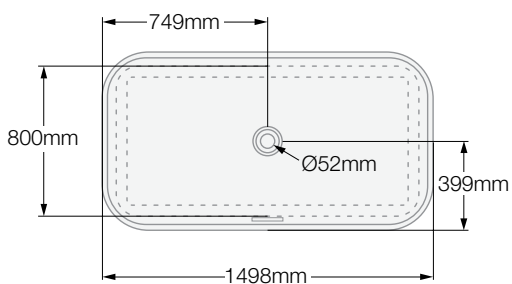
Due to the design of the ionian it will be necessary to cut a small hole in the floor to accommodate the p-trap.

Edge

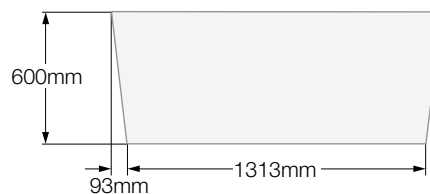


Deep, double ended luxury freestanding bath in a compact format. The Edge shares many of the qualities of the successful los, with the addition of distinctive cubic styling

Top view



Side view



Weight | 95kg

Recommended Kit | KIT 12C + KIT 12 / 13C

Recommended Basin | Edge 45

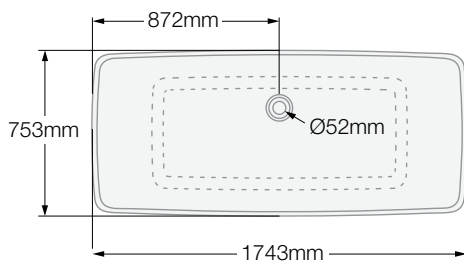
Due to the design of the Edge it will be necessary to cut a small hole in the floor to accommodate the p-trap.



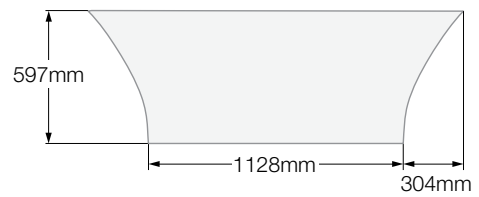
© Oliver Burns

Bold lines combine effortlessly with gentle curves in the Ravello, to make it a truly elegant yet contemporary freestanding bath.

Top view



Side view



Weight | 82kg

Recommended Kit | KIT 12C + KIT 12 / 13C

Recommended Basin | Ravello 60

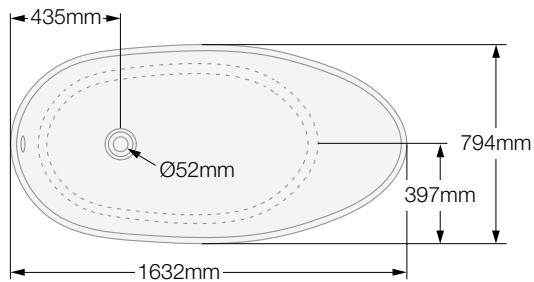
Amalfi



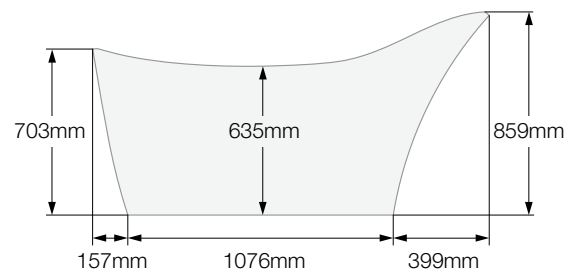
© Mt + Arquitectos - Felipe Araujo Photography

The Amalfi's softly contoured sides descend gracefully to the floor. Uncluttered by waste pipe work and an extended backrest that provides full head support; the bath is essential for those long luxurious soaks.

Top view



Side view



Weight | 70kg

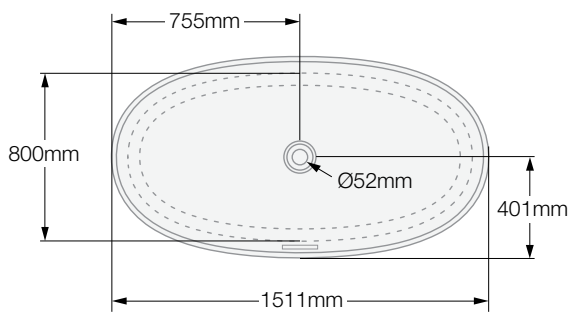
Recommended Kit | KIT 12C + KIT 12 / 13C

Recommended Basin | Amalfi 55

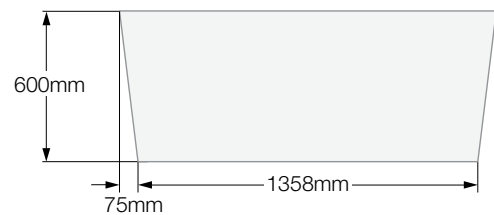


The compact, freestanding ios is aimed at the latest city apartments and en-suites where space is at a premium. A small bath with an impressive capacity that offers double ended bathing.

Top view



Side view



Weight | 86kg

Recommended Kit | KIT 12C + KIT 12 / 13C

Recommended Basin | ios 54 / ios 80

Due to the design of the ios it will be necessary to cut a small hole in the floor to accommodate the p-trap.

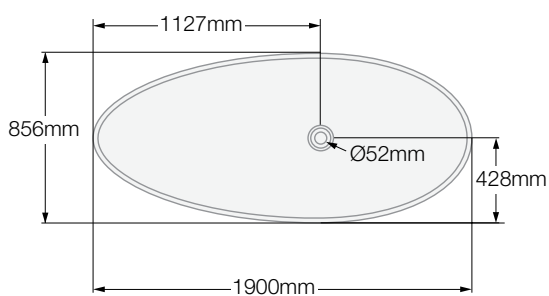
Napoli



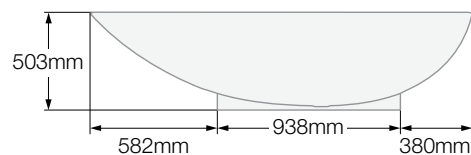
© Badarra Island Hotel

Boldly conceived as a low slung single piece shell, the Napoli offers the simplicity of rimless bathing combined with extreme comfort and a low step-in height. Freestanding bath design at its best.

Top view



Side view



Weight | 71kg

Recommended Kit | KIT 12C + KIT 12 / 13C

Recommended Basin | Napoli 57

Due to the design of the Napoli it will be necessary to cut a small hole in the floor to accommodate the p-trap.

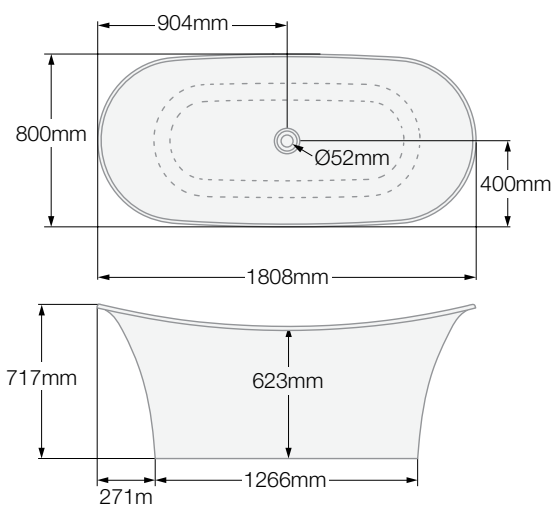
Toulouse

Toulouse 1



The Toulouse is a deep, double ended free standing bateau bath that makes a luxurious centrepiece for both traditional and contemporary bathrooms. Also available in a more compact size of 1520mm in length.

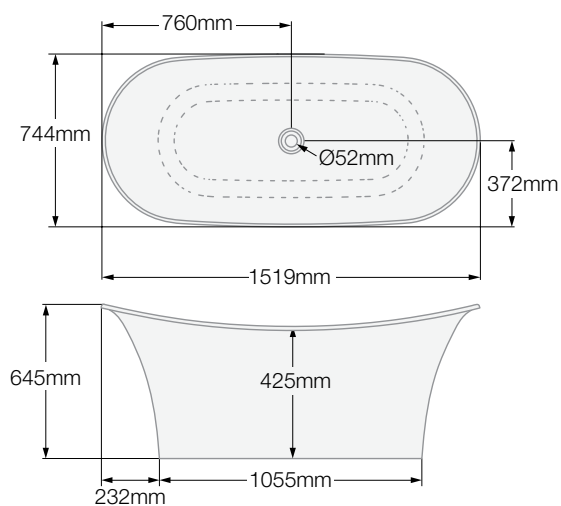
Toulouse



Weight | 81kg

Recommended Kit | KIT 12C + KIT 12 / 13C

Toulouse 1



Weight | 67kg

Recommended Kit | KIT 12C + KIT 12 / 13C

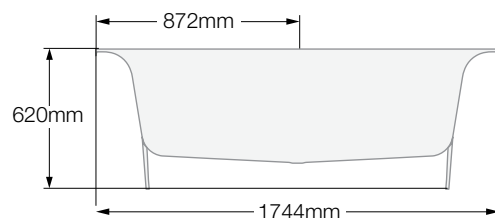
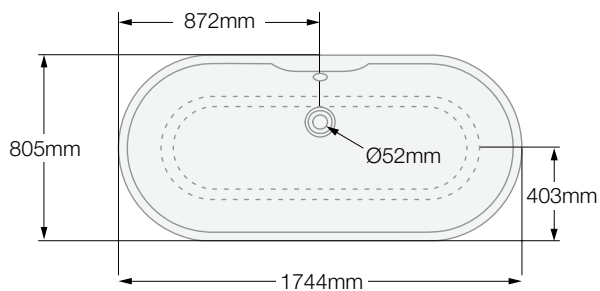
Monaco



Add instant sophistication to any bathroom with the Monaco Freestanding Bath – minimalist elegance in a single piece casting that descends gracefully to the floor

Top view

Side view



Weight | 69kg

Recommended Kit | KIT 30C + KIT 12 / 13C

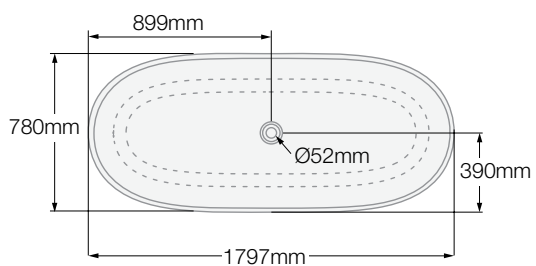
Alternative Kit | KIT 2, 3C, 16C

Due to the design of the Monaco it will be necessary to cut a small hole in the floor to accommodate the p-trap.

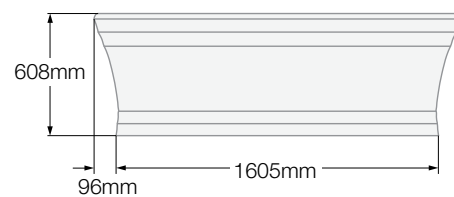


Elegant, classical and refined. The Worcester takes its name from the ancient English Cathedral City and the South African town in where the Victoria + Albert factory is situated. Featuring classically ribbed plinth and rim detailing originally found in stonework.

Top view



Side view



Weight | 105kg

Recommended Kit | KIT 12C + KIT 12 / 13C

Due to the design of the Worcester it will be necessary to cut a small hole in the floor to accommodate the p-trap.

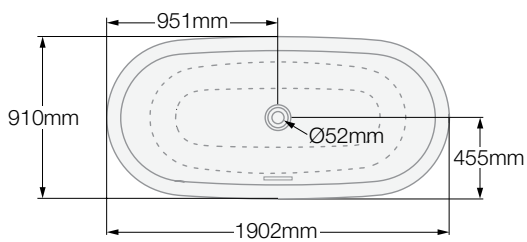
Elwick



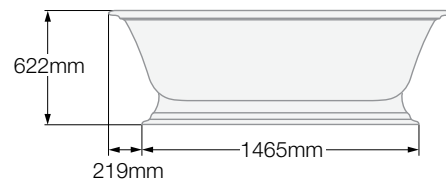
© Maree Homer Photography + Dania Kulcsar Interiors

The generous, double ended Elwick freestanding bath features a pedestal base for a clean floor finish.

Top view



Side view



Weight | 95kg

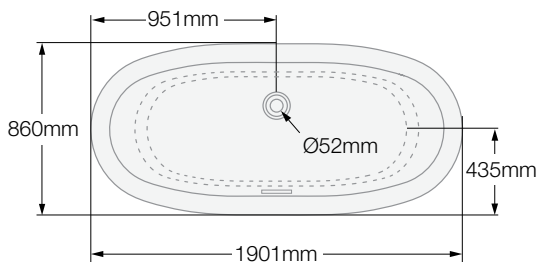
Recommended Kit | KIT 16C

Due to the design of the Elwick it will be necessary to cut a small hole in the floor to accommodate the p-trap.

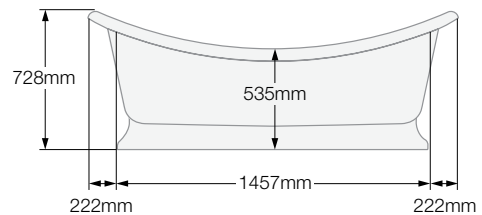


The Marlborough is a large luxurious double ended slipper bath. For those wanting to make the ultimate statement in their bathroom, be it modern or classic

Top view



Side view



Weight | 80kg

Recommended Kit | KIT 30C + KIT 12 / 13C

Alternative Kit | KIT 2, 3C or 16C

Due to the design of the Marlborough it will be necessary to cut a small hole in the floor to accommodate the p-trap.

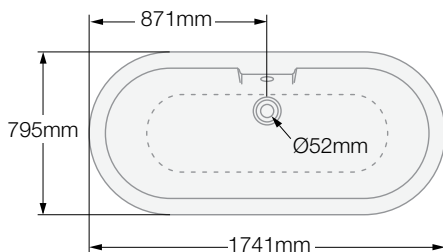
York



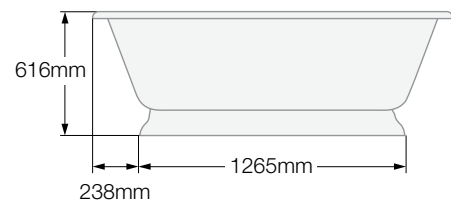
© Interiors - Susan Gilmore Photography

Featuring a deep, double ended bathing well, the York freestanding bath is easy to live with thanks to an elegant pedestal base hiding all the waste plumbing.

Top view



Side view



Weight | 67kg

Recommended Kit | KIT 3C, Kit12 / 13 C

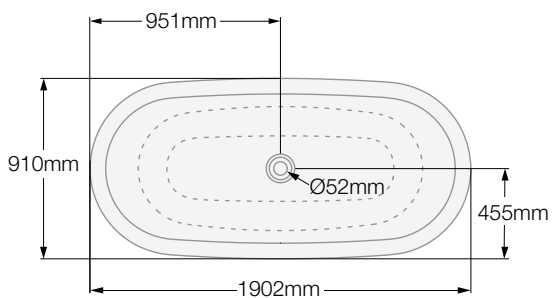
Alternative Kit | KIT 2C, 3C, 9C, or 16 C

Due to the design of the York it will be necessary to cut a small hole in the floor to accommodate the p-trap.

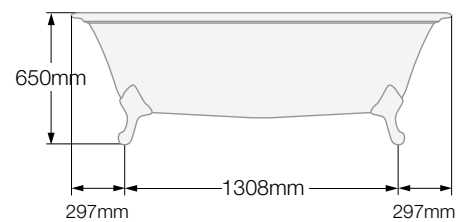


The Radford is an opulent double ended roll-top freestanding bath with elegant rim detailing, offering classic symmetry linked to perfect backrest angles. A true statement piece.

Top view



Side view



Weight | 77kg

Recommended Kit | KIT 16C

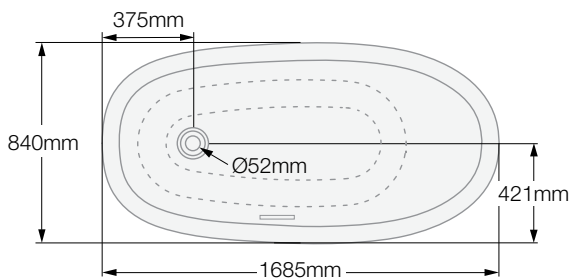
Recommended Basin | Radford 51

Drayton

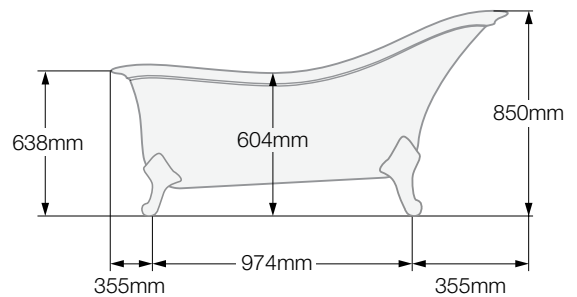


Taking its form from the original Victorian slipper bath with added modern day opulence, refinement and beautiful rim detailing, Drayton's generous size and shoulder support provides a sublime bathing experience.

Top view



Side view



Weight | 63kg

Recommended Kit | KIT 16C

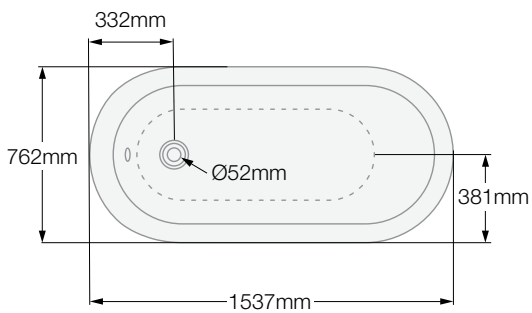
Recommended Basin | Drayton 40

Shropshire

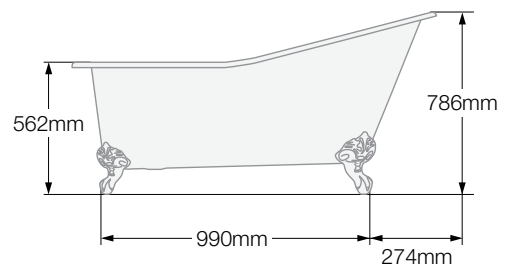


The perfect lines of this superbly designed Shropshire slipper bath and its compact dimensions make it of particular appeal for smaller bathrooms – authentic Victorian style for your home.

Top view



Side view



Weight | 53kg

Recommended Kit | KIT 3C

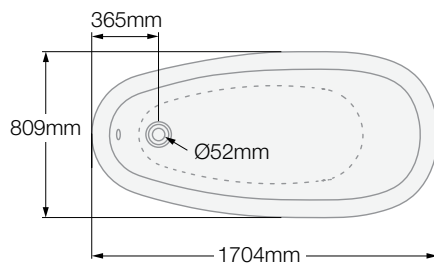
Alternative Kit | KIT 2C, 30C or 16C

Roxburgh

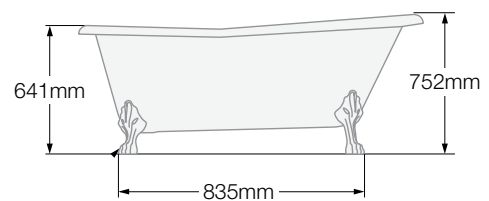


The Roxburgh is a supremely comfortable slipper bath. Longer than the traditional Victorian slipper, featuring both lion's paw and modern feet options.

Top view



Side view



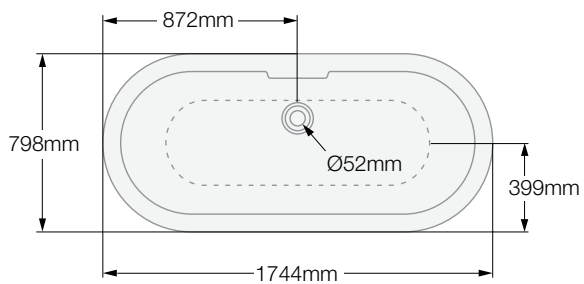
Weight | 60kg

Recommended Kit | KIT 4C

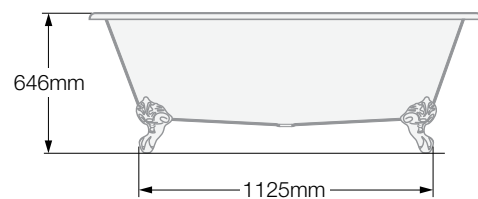


The timeless classic – the Cheshire is a deep Victorian double-ended roll top bath of generous proportions featuring a range of fabulous Ball & Claw feet options.

Top view



Side view



Weight | 61kg

Recommended Kit | KIT 3C

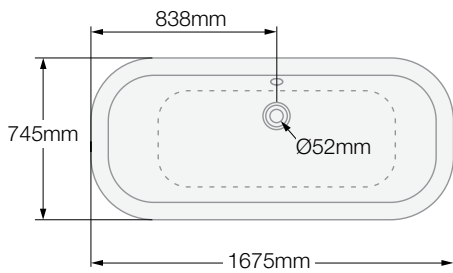
Alternative Kit | KIT 2, 30C or 16C

Richmond

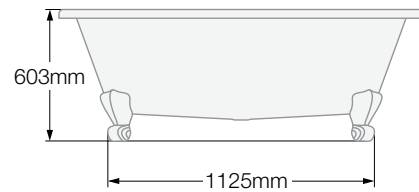


The Richmond is an elegant double ended roll top bath. International styling suits modern or period settings and is highly suitable for smaller bathrooms

Top view



Side view



Weight | 62kg

Recommended Kit | KIT 3C

Alternative Kit | KIT 2, 30C, 16C

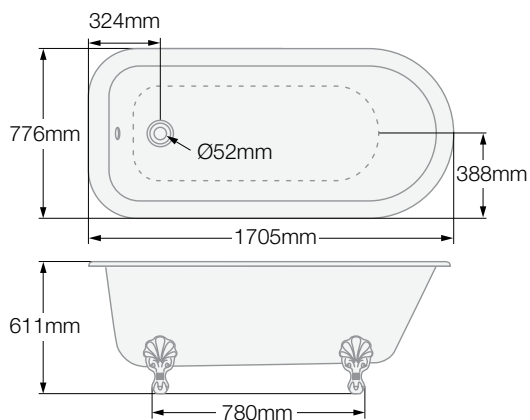
Hampshire

Wessex



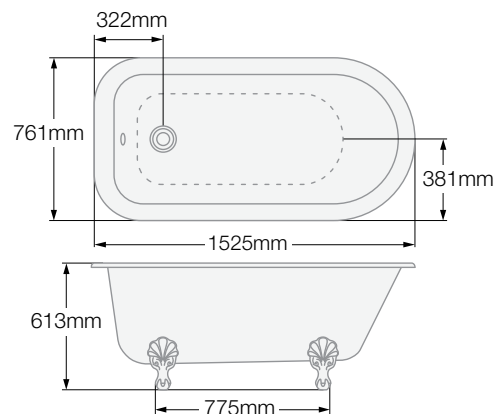
The Hampshire and Wessex features classic lines with slimmed down dimensions. Exquisite Edwardian styling that fits almost any bathroom these single ended roll top reclines at the perfect angle for maximum comfort.

Hampshire



Weight | 63kg
Recommended Kit | KIT 3C
Alternative Kit | KIT 2, 30C or 16C

Wessex



Weight | 63kg
Recommended Kit | KIT 3C
Alternative Kit | KIT 2, 30C or 16C

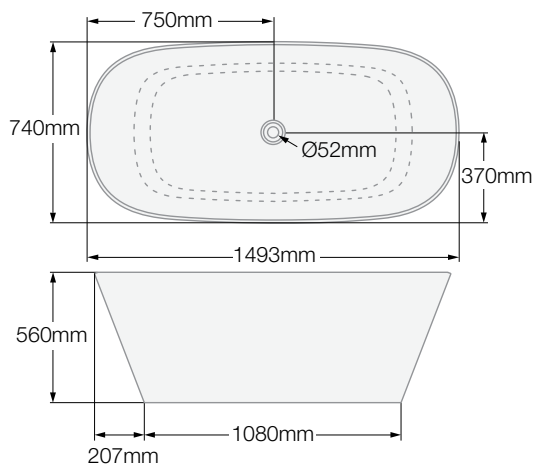
Vetralla

Vetralla 2

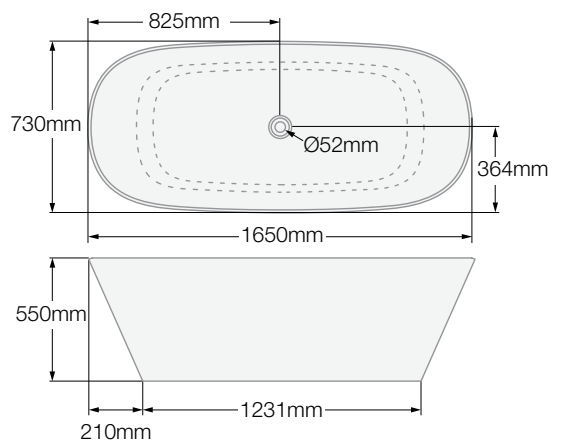


Simple, deep and double-ended – ideal for modern bathrooms where space is at a premium. Also offered in a larger format called Vetralla 2.

Vetralla



Vetralla 2



Weight | 64kg

Recommended Kit | KIT 12 + KIT12 / 13C

Due to the design of the Vetralla & Vetralla 2 it will be necessary to cut a small hole in the floor to accommodate the p-trap.

Weight | 64kg

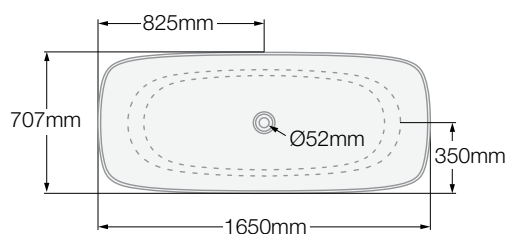
Recommended Kit | KIT 12 + KIT12 / 13C

Trivento

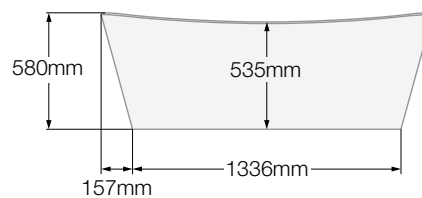


A modern reinvention of the classic bateau bath. Featuring a fine rim and deep and double ended bathing well, Trivento is equally at home in city apartments or family bathrooms

Top view



Side view



Weight | 70kg

Recommended Kit | KIT 12 + KIT12 / 13C

Due to the design of the Trivento it will be necessary to cut a small hole in the floor to accommodate the p-trap.

The newest addition to the Victoria + Albert Range **Corvara™**

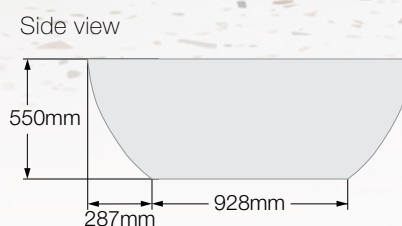
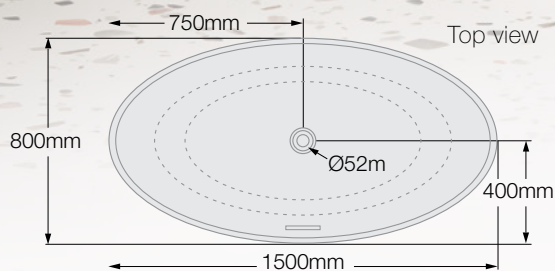
Designed by the Victoria+Albert in-house design team, the Corvara™ is an elegant, smaller freestanding bath that doesn't compromise design and comfort. Together with its matching basin, the bathtub's natural, organic shape elicits a feeling of calm and serenity. A luxurious bathing experience in a velvety smooth material provides a sensorial delight that you can't help but touch.



Basin Weight | 9kg

Basin Size | 550 x 341 x 160

Recommended Basin Kit | KIT 24C + KIT 22C



CORVARA™

Bath Weight | 74kg

Recommended Bath Kit | KIT12C + KIT 12/13P

Recommended Basin | Corvara™ 55

Drop in & undermount basins

Rossendale 91



Weight | 9kg

Size | 915 x 380 X 150

Recommended Kit | KIT 24C + KIT 22C

Rossendale 122



Weight | 12kg

Size | 1215 x 380 x 150

Recommended Kit | KIT 24C + KIT 22C

Kaldera 56 / 62



Weight | 5kg

Size | 560 x 360 x 140

Recommended Kit

KIT 24C + KIT 22C

Weight | 5kg

Size | 620 X 420 X 125

Recommended Kit

KIT 24C + KIT 22C

Kaali 48



Weight | 4kg

Size | 475 X 455 X 140

Recommended Kit

KIT 24C + KIT 22C

Kaali 46



Weight | 3kg

Size | 465 x 355 x 140

Recommended Kit

KIT 24C + KIT 22C

Kaali 60 / 65



Weight | 5kg

Size | 600 x 450 x 135

Recommended Kit

KIT 24C + KIT 22C

Weight | 5kg

Size | 650 x 465 x 130

Recommended Kit

KIT 24C + KIT 22C

Freestanding basins

Napoli 57



Weight | 6kg

Size | 570 x 345 x 160

Recommended Kit | KIT 20C + KIT 22C

Amalfi 55



Weight | 6kg

Size | 550 x 340 x 170

Recommended Kit | KIT 20C + KIT 22C

Amiata 60



Weight | 9kg

Size | 600 x 415 x 160

Recommended Kit

KIT 20C + KIT 22C

Cabrits 55



Weight | 6kg

Size | 550 x 340 x 100

Recommended Kit

KIT 20C + KIT 22C

Maru 42



Weight | 6kg

Size | 425 X 425 X 180

Recommended Kit

KIT 20C + KIT 22C

Edge 45



Weight | 6kg

Size | 450 x 325 x 110

Recommended Kit

KIT 20C + KIT 22C

Freestanding basins

Ravello 60



Weight | 7kg
Size | 610 x 400 x 115
Recommended Kit | KIT 20C + KIT 22C

Radford 51



Weight | 5kg
Size | 510 x 395 X 115
Recommended Kit | KIT 20C + KIT 22C

Barcelona 48 / 64



Weight | 5kg
Size | 480 x 300 x 120
Recommended Kit
KIT 20C + KIT 22C

Weight | 8kg
Size | 640 x 350 x 170
Kit Recommended
KIT 20C + KIT 22C

Barcelona 55



Weight | 7kg
Size | 550 x 330 x 140
Recommended Kit
KIT 24C + KIT 22C

Drayton 40



Weight | 3kg
Size | 400 x 400 x 125
Recommended Kit
KIT 20C + KIT 22C

ios 54 / 80



Weight | 7kg
Size | 540 x 360 x 125
Recommended Kit
KIT 20C + KIT 22C

Weight | 12kg
Size | 800 X 425 X 150
Recommended Kit
KIT 20C + KIT 22C

Drop in basins

Lario 100 Solo



Weight | 18kg

Size | 1000 x 480 x 135

Recommended Kit | KIT 24C

Mandello 114



Weight | 20kg

Size | 1150 X 580 X 185

Recommended Kit | KIT 24C

Washstands

Metallo 100



Weight | 33kg

Size | 915 x 480 X 1000

Recommended Kit | KIT 24C + KIT 22C





ories

ction of waste kits and standpipes that are specifically
the technical requirements of our freestanding baths.

Exposed
control



KIT 3C | Exposed
• Chrome
• Plug & Chain



KIT 4C | Exposed
• Chrome
• Plug & Chain



KIT 15C | Concealed
• Chrome
With white flexible piping
• Push control



KIT 9C | Concealed
• Chrome
• Pop-up



KIT 12C
Universal waste
kit for baths
• Chrome



KIT 20C
Universal waste
kit for basins
• Chrome



KIT 24 | Universal basin
drain with captive plug
and free flow insert.
• Chrome



KIT 16 | Universal waste kit for bath with
overflow holes
• Chrome

Dual option fittings included:
Contemporary 'push control' plug,
traditional plug & chain.



KIT 22C | Basin bottle
trap for use with K20
• Chrome



B & F | Bend & flange
• Chrome

Bath filler



KIT T3 | Overflow mounted concealed | Diameter: 10cm
HP/LP Systems
• Chrome
• Plug & Chain

Combined pop-up waste and bath filler with white flexible
piping. **NB:** Requires separate tap valves

Standpipes



KIT 6C
No tap holes
• Chrome
Height 650mm

KIT 12/13C | Concealed
White flexible piping



Bath specs

| Product | Length mm | Width mm | Height mm | Mass kg | Volume L |
|---------------------------|-----------|----------|-----------|---------|----------|
| Amalfi | 1630 | 790 | 635 - 860 | 70 | 258 |
| Amiata | 1645 | 800 | 610 | 65 | 280 |
| Amiata 1 | 1520 | 725 | 550 | 84 | 251 |
| Barcelona | 1785 | 855 | 550 | 97 | 350 |
| Barcelona 1 | 1500 | 720 | 545 | 87 | 282 |
| Barcelona 2 | 1700 | 805 | 535 | 87 | 305 |
| Barcelona 3 | 1790 | 865 | 550 | 93 | 340 |
| Cabrits | 1745 | 750 | 390 - 565 | 66 | 176 |
| Cheshire | 1745 | 800 | 645 | 61 | 273 |
| Corvara™ | 1500 | 800 | 550 | 74 | 294 |
| Drayton | 1685 | 840 | 605 - 850 | 63 | 197 |
| Edge | 1500 | 800 | 600 | 95 | 353 |
| Eldon | 1750 | 850 | 600 | 109 | 380 |
| Elwick (with Plinth) | 1900 | 910 | 620 | 95 | 320 |
| Hampshire | 1705 | 775 | 610 | 63 | 228 |
| ionian | 1700 | 795 | 615 | 82 | 310 |
| ios | 1510 | 800 | 600 | 86 | 318 |
| Marlborough (with Plinth) | 1900 | 870 | 535 - 730 | 80 | 241 |
| Monaco | 1745 | 805 | 620 | 69 | 220 |
| Mozzano | 1645 | 740 | 500 | 61 | 250 |
| Napoli | 1900 | 855 | 500 | 71 | 292 |
| Pescadero | 1695 | 800 | 655 | 75 | 289 |
| Radford | 1900 | 910 | 650 | 77 | 320 |
| Ravello | 1740 | 755 | 600 | 82 | 289 |
| Richmond | 1675 | 745 | 605 | 62 | 227 |
| Roxburgh | 1705 | 810 | 595 - 755 | 60 | 200 |
| Shropshire | 1540 | 760 | 560 - 790 | 53 | 159 |
| Taizu | 1500 | 1500 | 600 | 95 | 490 |
| Toulouse | 1810 | 800 | 625 - 720 | 81 | 301 |
| Toulouse 1 | 1520 | 745 | 645 | 67 | 217 |
| Trivento | 1650 | 710 | 580 | 70 | 295 |
| Vetralla | 1500 | 740 | 560 | 64 | 280 |
| Vetralla 2 | 1650 | 730 | 550 | 64 | 280 |
| Wessex | 1525 | 760 | 615 | 63 | 204 |
| Worcester | 1795 | 780 | 610 | 105 | 325 |
| York (with Plinth) | 1740 | 795 | 620 | 67 | 273 |

All measurements are rounded.

Basin Specs

| Product | Length mm | Width mm | Height mm | Mass kg | Volume L |
|----------------|-----------|----------|-----------|---------|----------|
| Amalfi 55 | 550 | 340 | 170 | 6 | 5 |
| Amiata 60 | 600 | 415 | 160 | 9 | 16 |
| Barcelona 48 | 480 | 300 | 120 | 5 | 6 |
| Barcelona 55 | 550 | 330 | 140 | 7 | 10 |
| Barcelona 64 | 640 | 350 | 170 | 8 | 18 |
| Cabrits 55 | 550 | 340 | 100 | 6 | 7 |
| Corvara™ 55 | 550 | 341 | 160 | 9 | 8 |
| Drayton 40 | 400 | 400 | 125 | 3 | 7 |
| Edge 45 | 450 | 325 | 110 | 6 | 10 |
| ios 54 | 540 | 360 | 125 | 7 | 12 |
| ios 80 | 800 | 425 | 150 | 12 | 22 |
| Kaali 46 | 465 | 355 | 140 | 3 | 5 |
| Kaali 48 | 475 | 455 | 140 | 4 | 7 |
| Kaldera 56 | 560 | 360 | 140 | 5 | 9 |
| Kaali 60 | 600 | 450 | 135 | 5 | 9 |
| Kaldera 62 | 620 | 420 | 125 | 5 | 10 |
| Kaali 65 | 650 | 465 | 130 | 5 | 9 |
| Lario Solo | 1000 | 480 | 135 | 18 | 15 |
| Mandello Solo | 1150 | 580 | 185 | 20 | 8 |
| Maru 42 | 425 | 425 | 180 | 8 | 13 |
| Napoli 57 | 570 | 345 | 160 | 6 | 5 |
| Radford 51 | 510 | 395 | 115 | 5 | 9 |
| Ravello 60 | 610 | 410 | 115 | 8 | 9 |
| Rossendale 91 | 915 | 380 | 150 | 9 | 10 |
| Rossendale 122 | 1215 | 380 | 150 | 12 | 15 |

All measurements are rounded.

Notes:

MATT finish

Crafted from the same unique QUARRYCAST™ material as our signature Standard White (SW) gloss finish, the Standard Matt (SM) option features a matt white interior and exterior. Our unique casting process creates a soft, contemporary look.

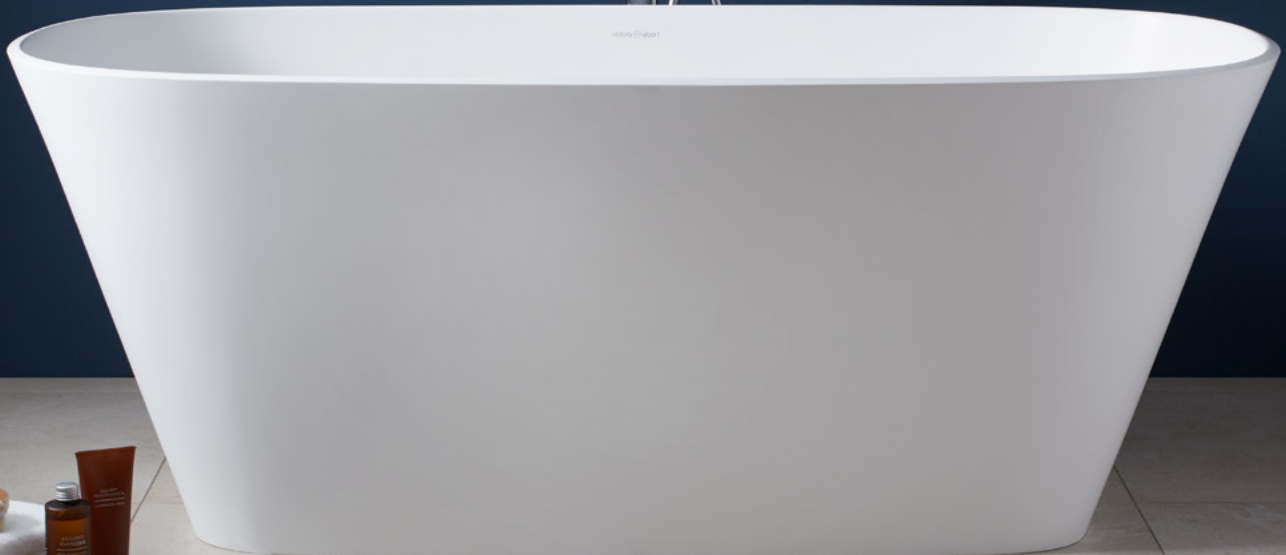
The Standard Matt range benefits from the same renewable properties and 25 year guarantee.*

Our matt finish will be available on the following products in South Africa:

Baths:

| | |
|-------------|----------------|
| Amalfi | Vetralla |
| Amiata | Vetralla 2 |
| Amiata 1 | Napoli |
| Barcelona | |
| Barcelona 1 | Basins: |
| Barcelona 2 | Amalfi 55 |
| Barcelona 3 | Barcelona 48 |
| Corvara™ | Barcelona 55 |
| ionian | Barcelona 64 |
| ios | Corvara™ 55 |
| Mozzano | ios 54 |
| Toulouse 1 | Napoli 57 |

** Note that our Matt products have special care instructions and should only be cleaned with soap, water and a soft cloth. Scouring or the use of abrasive cleaning materials will affect the surface finish.*



From Volcanic Limestone™ to QUARRYCAST™

Quality

Volcanic Limestone™ is Victoria + Albert's name for the very special white rock that is perfect for making baths and basins.

This is formed when the elemental forces associated with liquid magma act upon surrounding soft chalky limestone. The immense heat and pressure from the magma transforms the neighbouring rock into a new material made up of incredibly hard strands.



Find a sample of volcanic Limestone™ at your local V + A dealership.

Victoria + Albert blends milled volcanic Limestone™ with high quality resins to bind these strands into a complex 3D matrix. The finished result is QUARRYCAST™ - a world class composite with an exceptional strength to weight ratio.



A stone rich unique alternative to both cast-iron and acrylic, which produces a 100% hand finished, one piece product packed with desirable natural properties and backed by a 25 year guarantee for your peace of mind.

QUARRYCAST™

The original freestanding bath composite and still the best. Ask to see and feel the difference at your local dealer.



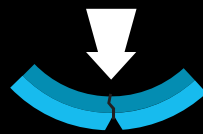
Strength

At Victoria + Albert, our baths and basins are crafted exclusively from Quarrycast™. Being rich in Volcanic Limestone™, this unique composite is more than twice as strong as other materials.

- Absolute safety**
Complete confidence
- Rock Solid**
No flexing or creaking
- Design Freedom**
Creates beautiful forms

QUARRYCAST™ has outperformed rival solid composites in strength tests conducted by independent material testing experts, Lucideon*.

Mean modulus of rupture(MPa)



23.1MPa Victoria + Albert Baths QUARRYCAST™



7MPa

Leading acrylic & composite bath brand (Average)

| Product Description | Overall Mean Modulus of Rupture (MPa) |
|-------------------------------|---------------------------------------|
| Victoria + Albert QUARRYCAST™ | 23.1 |
| Bath Brand 1 | 10.0 |
| Bath Brand 2 | 9.7 |
| Bath Brand 3 | 9.7 |
| Bath Brand 4 | 9.6 |
| Bath Brand 5 | 7.9 |
| Bath Brand 6 | 5.1 |

Temperature

Unlike solid stone, QUARRYCAST™ is warm to the touch, possessing superlative heat retention properties for a luxury bathing experience every time.

- More comfortable**
Warm to the touch
- More relaxing**
Water stays warmer for longer
- More economical**
Less water top-up

QUARRYCAST™ surpasses alternative materials in laboratory tests on bath water heat retention, conducted by independent material testing experts, Lucideon*.



QUARRYCAST™



Steel Enamel



Cast Iron

| Bath | Change in temperature of bath water (°C) | | | | |
|--------------|--|-----|-----|-----|-----|
| | Time | 0 | 5 | 15 | 60 |
| QUARRYCAST™ | 0 | 0.2 | 0.8 | 3.5 | 6.0 |
| Steel Enamel | 0 | 0.6 | 1.6 | 5.2 | 7.9 |
| Cast Iron | 0 | 0.6 | 1.7 | 5.3 | 7.9 |

All Victoria + Albert baths and basins are also IAPMO** tested and approved. Impact tests are completed for all baths, from a 1kg ball bearing drop to a 136kg load test on the base and rim.

* Lucideon is an independent, international materials technology company that focuses on innovation, sustainability and quality assurance of materials. They are a UKASA accredited testing laboratory (No. 0013) in the UK and have Lucideon-approved laboratories around the world.

** IAPMO Research and Testing Laboratory provides full service, independent product testing at either their on-site laboratory (Ontario, USA) or at the manufacturer's facility.

victoria ⊕ albert[®]

volcanic limestone baths

SOUTH AFRICA

Victoria & Albert Marketing (Pty) Ltd | 30 Traub Street · Worcester · 6850

Tel: 023 347 4939 | Fax: 023 342 4692 | Email: info@vandabaths.co.za

www.vandabaths.com