



# CLASH

An OKHA + BRONZEAGE collaboration





## An OKHA + BRONZEAGE collaboration

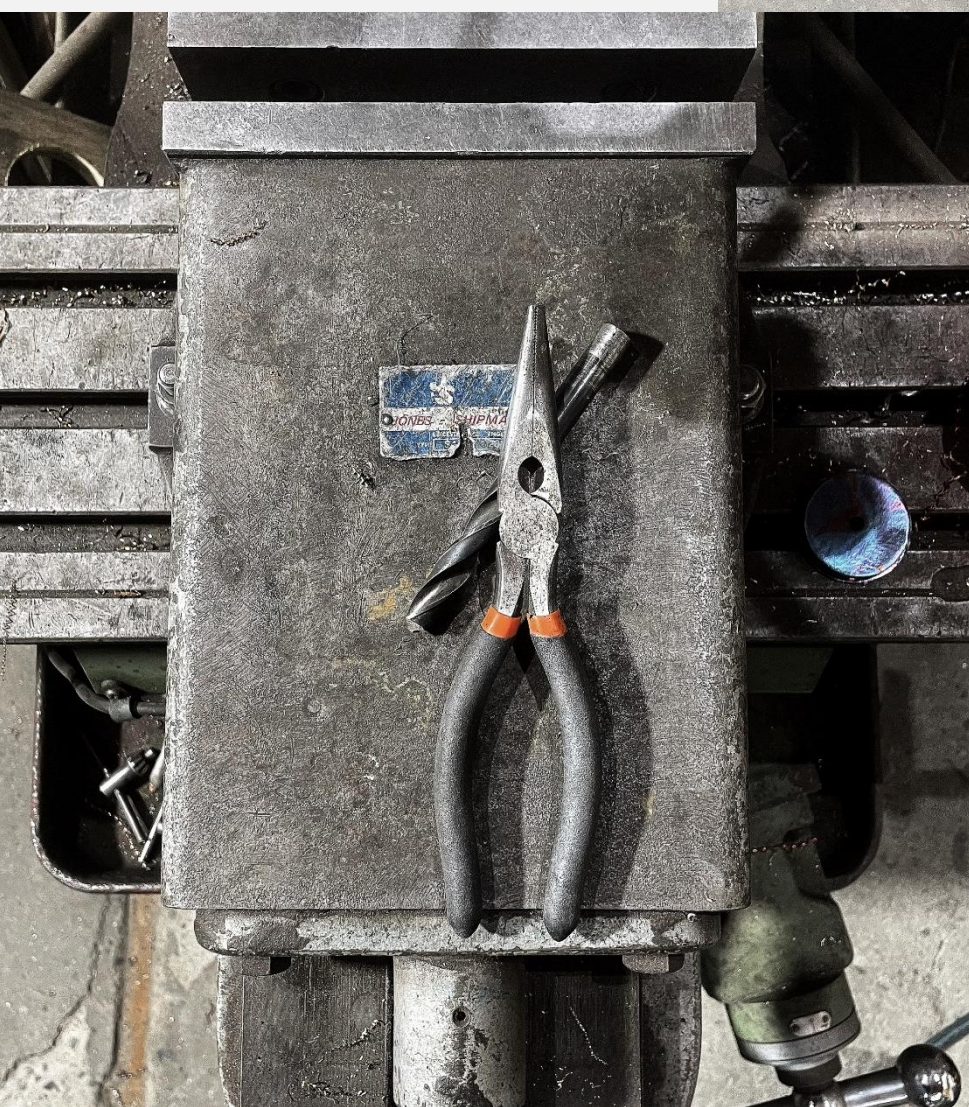
In true PUNK attitude, this edition of 12 cast bronze tables are vital, raw, brutal and viscerally poetic. They reach back to the designer's UK based youth, days of teenage street swagger, sweet arrogance, rebel yell and naïve gusto.

Woven into this series of tables are the designer's subsequent autodidact travels and journeys into the world of myriad arts and culture; spanning years in Europe, USA and Africa.

CLASH is a spirit self portrait of passions and energies, mystical, existential and physical. The resulting works are mellifluous, honest and evocatively primal.



OKHA are a Cape Town based design company focused on creating expressive and enigmatic, quality design works. OKHA is headed up by Designer and Creative Director, Adam Court.



BRONZEAGE are a Cape Town based creative studio specializing in fine art sculpture and collectible design. Founded by Otto du Plessis and headed up by Otto du Plessis and Charles Haupt.

OKHA



Maintenance  
room when  
finished

Back on Tool  
board

GEARED HEAD MILLING & DRILLING MACHINE

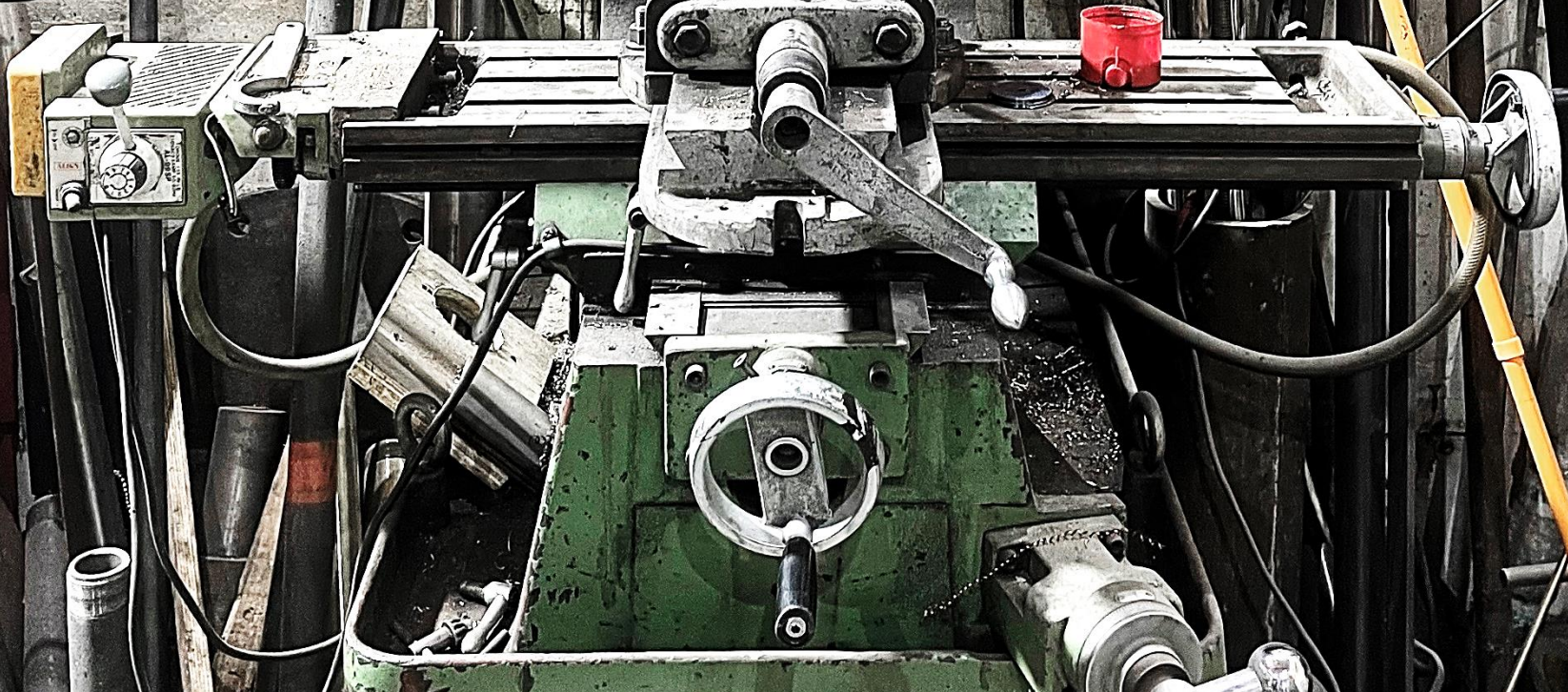
	L1	L2	L3	H1	H2	H3
DRILL	60	120	210	360	570	810
SPINDL	14	100	175	268	370	450

WARNING  
DANGER: NEVER OILY, FRESH, SHARPEN OR DISTURB  
ADJUSTING  
ATTENTION  
PROTECTIVE DEVICE: STOPPING MOTOR

NOTICE  
KEEP AREA CLEAN

CM

# CLASH









A black and white photograph of a rocky, desolate landscape. The ground is covered in numerous small, light-colored rocks and pebbles of various sizes. In the center-left, there is a larger, dark, jagged rock formation that appears to be a remnant of a structure or a natural rock outcrop. The overall scene is harsh and barren. The word "CLASH" is overlaid in large, white, sans-serif capital letters across the upper portion of the image.

CLASH





























ADAM COURT & CHARLES HAUPT  
OF OKHA & BRONZEAGE

OKHA





RENEGADE SPIRIT

OKHA

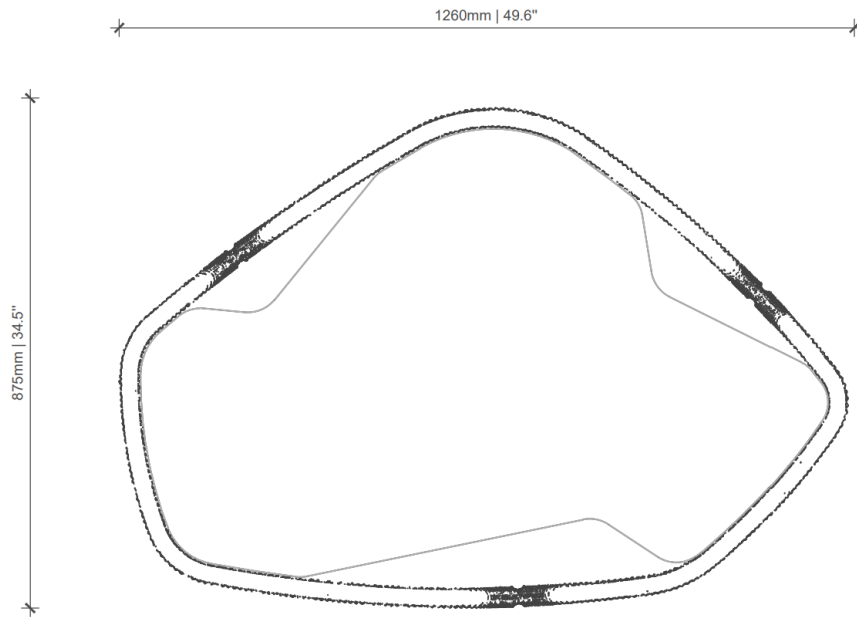




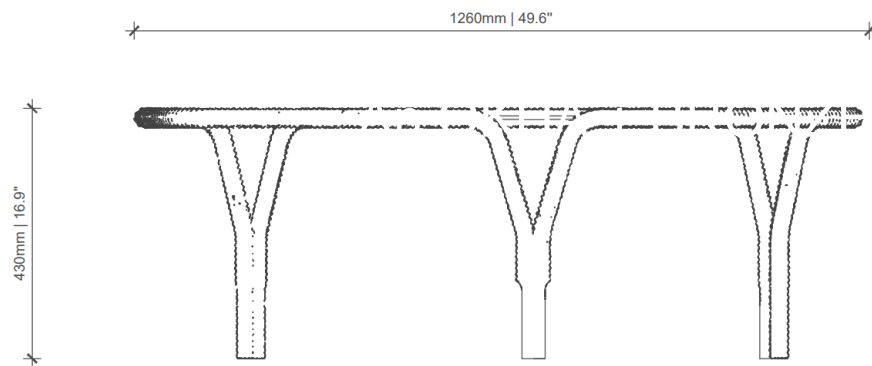
# CLASH



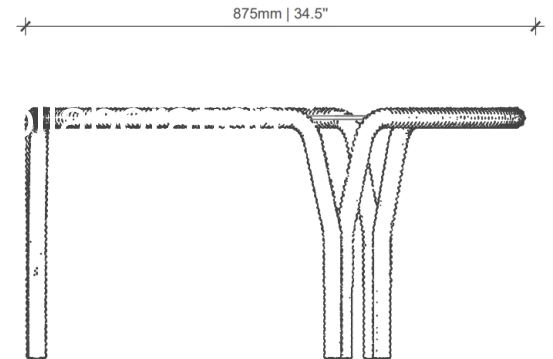
# CLASH



PLAN VIEW



FRONT ELEVATION



SIDE ELEVATION

An OKHA + BRONZEAGE collaboration  
Edition of 12 works + 2 AP

Material. Bronze (+ internal stainless steel support armature). Finish. Patinated. Wax sealed.  
Other finishes available upon request.