

new

Pure Freude
an Wasser

GROHE

INTRODUCING GROHE KITCHEN SINKS

MADE TO MATCH IN FORM AND FUNCTION

Available
Mid-July
2023.

PART OF **LIXIL**



Think of a space where people come together.
A space where any kind of mood can be translated
into an endless number of delicious dishes and drinks.
A space where you not only express your individuality,
but also try new recipes and explore millions of tastes.



INTRODUCING GROHE KITCHEN SINKS

Add up how much time you spend at your kitchen sink. Filling pots, preparing veg, washing up after a big meal. It's a place you will stop at countless times each day, so why not choose a sink that exceeds your needs in terms of quality, design and features?

GROHE sinks have been designed to fit every type of kitchen scheme, with a range of innovative, modern designs perfect for your space. You will find compact models with integrated drainers, large double sinks for when you need to spread out, and chic built-in sinks.

With features like the GROHE QuickFix system and reversible designs as standard, you can have your new GROHE sink installed in minutes with no fuss or hassle.

We are also confident that you will love the special features on offer, like the automatic waste that means never plunging your hand into dirty water again.

Thanks to GROHE Whisper technology you can even be sure that this will be your quietest sink ever - special integrated insulation reduces the noise from water flow. With a sink from GROHE you'll notice the difference, making every time you use your sink less of a chore.

FEEL THE BENEFITS INNOVATIVE FEATURES AND FUNCTIONS

We can't claim to make washing up a joy, but thanks to the smart, useful features of every GROHE sink, we certainly believe that we can make your sink somewhere you are happy to spend some time. With a GROHE sink, cleaning is easier, draining the bowl can be done remotely, and even the sound of the water running is minimised. Just select your ideal size and style – installation is effortless and the benefits speak for themselves.

Overflow

The overflow, available on all GROHE sinks, avoids any spillage of water in case the taps are inadvertently left open. The perimetric solution available on some models improves the look, thanks to its squared-out and essential shape.

Pre-punched tap holes

The most GROHE sinks come with two pre-punched tap holes, meaning no additional tools are required and many sinks are reversible and can be installed as either left- or right-handed option.

Spacious bowls

Thanks to our innovative manufacturing techniques, all GROHE sinks feature bowls with a generous depth of min. 16 cm, maximising space for washing large pots with ease.

Waste fitting with remote control

GROHE sinks are equipped with a 3.5" waste fitting and practical strainer plug that prevents solids and leftovers from flowing away with the waste water.



Siphon included

For a quick and hassle-free installation each sink comes with an under-sink siphon complementing the scope of delivery and guaranteeing an ALL IN ONE solution.

Water drainage

Drainage from the bowl's base and drainers is an important feature, always well cared for on GROHE sinks. In the squared-out, flat-bottomed sinks, good drainage is ensured by the elegant diamond-shaped creases that make the water flow away more easily.

QUALITY THAT LASTS A LIFETIME

GROHE's reputation for quality of course extends to every sink in our range. With steel thicknesses ranging from 0.6 mm on the entry price segment to 1 mm on the premium ranges, each stainless steel sink uses steel above industry standards, and our patented brushing process creates a super-smooth surface that is easy to clean. For additional reassurance, each GROHE sink comes with a five year warranty, just like our taps.



STAINLESS STEEL SINKS

PRODUCT FEATURES

Whatever the design of your kitchen you will find a GROHE sink that complements it beautifully. GROHE Stainless steel sinks come with great product features.



GROHE StarLight

All GROHE sinks use stainless steel graded above the industry average, so you can be confident of their quality and durability. Our innovative brushing technique means that the sparkling steel surface is ultra smooth for easier cleaning.



GROHE QuickFix

Install your sink swiftly and easily thanks to the GROHE QuickFix system (kit supplied). With two pre-punched tap holes most of our sinks are easily reversible, giving you the flexibility you need for any design scheme.



GROHE Whisper

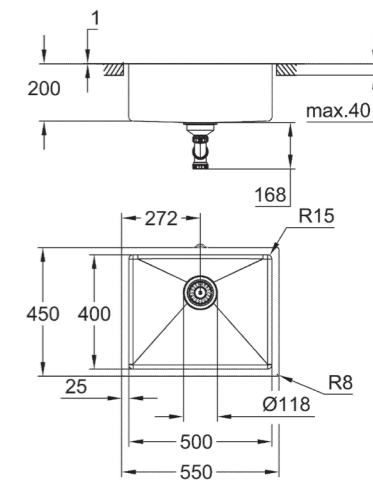
Shhh! A special insulation on the underside of the sink means that noise from running water and handling pots and pans is reduced to a minimum.

GROHE K700 UNDERMOUNT SERIES

Get the uncluttered, architectural look with the K700 undermounted sink. With a deeper bowl and soft edges, it is designed to fit under your counter for a seamless, modern finish.



minimum cabinet size 80 cm



K700U

1-Bowl Sink without Draining Board

Model: K700U 60-S 54.4/44.4 1.0. Mounting type: undermount, top mount or flush mount. Material: stainless steel AISI 304 (V2A). Material thickness: 1 mm. GROHE Long-Life finish. Finish: satin finish. GROHE Whisper. Min. cabinet size: 600 mm. Dimensions: 550 x 450 mm. 1 bowl: 500 x 400 x 200 mm. Outer radius: R16 (undermount)/R3 (topmount), inner bowl radius: R15. GROHE FastFixation installation system. Cut-out (undermount): 502 x 402 mm (R16). Cut-out (top mount): 535 x 435 mm. Cut-out (flush mount): 535 x 435 mm (R3) (top step outer size: -551 x 451 -R8 deep -3.5 mm). Drainer: Ø 3.5"/90 mm basket strainer waste. Accessories included: waste kit, basket strainer waste, mounting set. Optional push to open excenter (40 986 SD0). Amount of fasteners included (top mount): 8. Amount of fasteners included (undermount): 8.

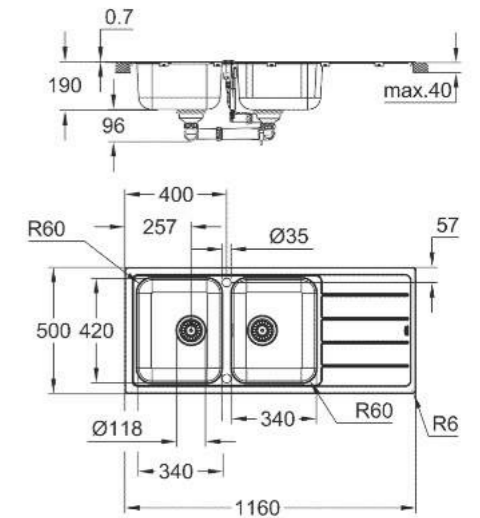
G-31574SD1
4005176607080



GROHE K500 SERIES

In tough stainless steel, with welded finish for added durability, the K500 sink offers contemporary design chic with practical features.

minimum cabinet size 80 cm



K500

2-Bowl Sink with Draining Board

Model: K500 80-S 116/50 2.0 rev. Mounting type: top mount. Material: stainless steel AISI 304 (V2A). Material thickness: 0.7 mm. GROHE Long-Life finish. Finish: satin finish. GROHE Whisper. Min. cabinet size: 800 mm. Dimensions: 1160 x 500 mm. 1 bowl: 340 x 420 x 185 mm. 2 bowl: 340 x 420 x 185 mm. Outer radius: R6 (topmount), inner bowl radius: R90. GROHE FastFixation installation system. Sink mountable left or right. Cut-out (top mount): 1140 x 480 mm. Drilling holes: 2 x 35 mm. Waste: Ø 3.5"/90 mm waste strainer with automatic waste fitting. Accessories included: automatic waste fitting with rotary handle, waste kit, basket trainer waste, mounting set. Optional push to open excenter (40 986 SD0). Amount of fasteners included (top mount): 18.

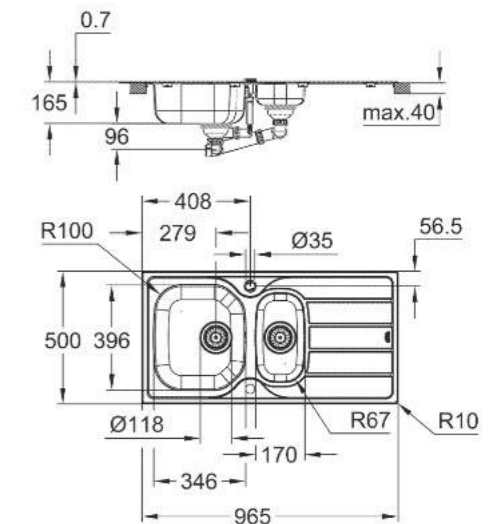
G-31588SD1
4005176626043



GROHE K200 SERIES

Versatile design that is a perfect fit for every home, K200 sinks are a durable, practical option for busy kitchens. With a single bowl, this model is a flexible, functional entry-level option suitable for any kitchen style.

minimum cabinet size 45 cm



K200

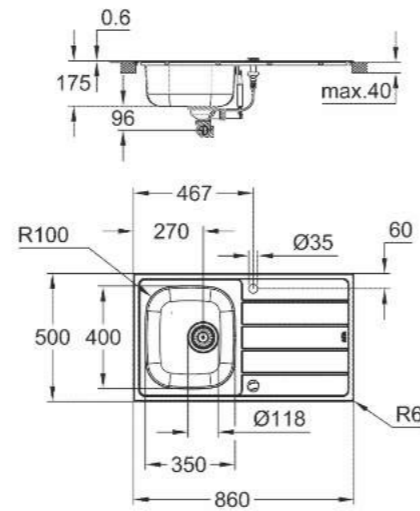
1.5-Bowl Sink with Draining Board

Model: K200 60-S 96.5/50 1.5 rev. Mounting type: top mount. Material: stainless steel AISI 304 (V2A). Material thickness: 0.7 mm. GROHE Long-Life finish. Finish: satin finish. GROHE Whisper. Min. cabinet size: 600 mm. Dimensions: 965 x 500 mm. 1 bowl: 346 x 396 x 150 mm. 1 bowl: 170 x 320 x 80 mm. Outer radius: R10 (topmount), inner bowl radius: R100. GROHE FastFixation installation system. Sink mountable left or right. Cut-out (top mount): 941 x 476 mm. Drilling holes: 2 x 35 mm. Waste: Ø 3.5"/90 mm waste strainer with automatic waste fitting. Accessories included: automatic waste fitting with rotary handle, waste kit, basket strainer waste, mounting set. Optional push to open excenter (40 986 SD0). Amount of fasteners included (top mount): 16.

G-31564SD1
4005176623745



minimum cabinet size 45 cm



K200

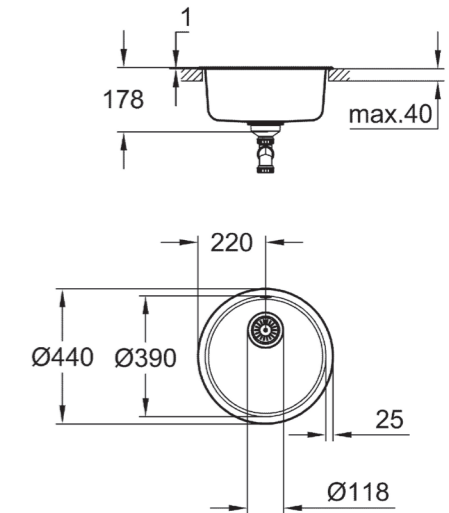
1-Bowl Sink with Draining Board

Model: K200 45-S 86/50 1.0 rev. Mounting type: top mount. Material: stainless steel AISI 304 (V2A). Material thickness: 0.6 mm. GROHE Long-Life finish. Finish: satin finish. GROHE Whisper. Min. cabinet size: 450 mm. Dimensions: 860 x 500 mm. 1 bowl: 350 x 400 x 160 mm. Outer radius: R6 (topmount), inner bowl radius: R100. GROHE FastFixation installation system. Sink mountable left or right. Cut-out (top mount): 842 x 482 mm. Drilling holes: 2 x 35 mm. Waste: Ø 3.5"/90 mm waste strainer with automatic waste fitting. Accessories included: automatic waste fitting with rotary handle, waste kit, basket strainer waste, mounting set. Optional push to open excenter (40 986 SD0). Amount of fasteners included (top mount): 14.

G-31552SD1
4005176623714



minimum cabinet size 45 cm



K200

Round Prep Bowl

Model: K200 50-S Ø 44 1.0. Mounting type: top mount. Material: stainless steel AISI 304 (V2A). GROHE Whisper. Min. cabinet size: 500 mm. Dimensions: Ø 440 mm. 1 bowl: Ø 390 mm. GROHE FastFixation installation system. Cut-out: Ø 422 mm. Drainer: Ø 3.5" basket strainer waste. Accessories included: waste kit, basket strainer waste, mounting set. Amount of fasteners included (top mount): 5.

G-31720SD0
4005176565403



**STAINLESS
STEEL**
PERFECT MATCH



**K700
UNDERMOUNT**



K500



K200



SMARTCONTROL



MINTA



BAUEDGE



ESSENCE



MINTA



EUROSMART



EUROCUBE



MINTA



K7






GROHE BLUE HOME

These are our design recommendations for YOUR PERFECT MATCH.
Of course any other GROHE kitchen tap can be combined with our kitchen sinks.

PRODUCT FEATURES OVERVIEW

STAINLESS STEEL SINKS

	STANDARD BUILT-IN	FLAT-EDGE	FLUSH-MOUNT	UNDERMOUNT	1	1.5	2	INNER RADIUS	DRAINER AVAILABLE	AISI 304 (V2A)	AISI 316 (V4A)	SATIN FINISH	PRE-POLISHED	PRE-PUNCHED TAP HOLES	REVERSIBLE SINK	AUTOMATIC WASTE FITTING INCLUDED	BUNDLE AVAILABLE
	MOUNTING TYPE				NUMBER OF BOWLS & RADIUS			DRAINER	MATERIAL	FINISH			ADDITIONAL FEATURES				
K700 U 			•	•		•		R0 / R9**		•		•				•••	
K500 	•				•	•	•	R60	•	•		•		•	•	•	•
K200 	•				•	•		R95	•	•		•		•	•	•	•

* R0 (bottom, front & back top) / R30 (right & left top)

** R0 (vertical) / R9 (bottom)

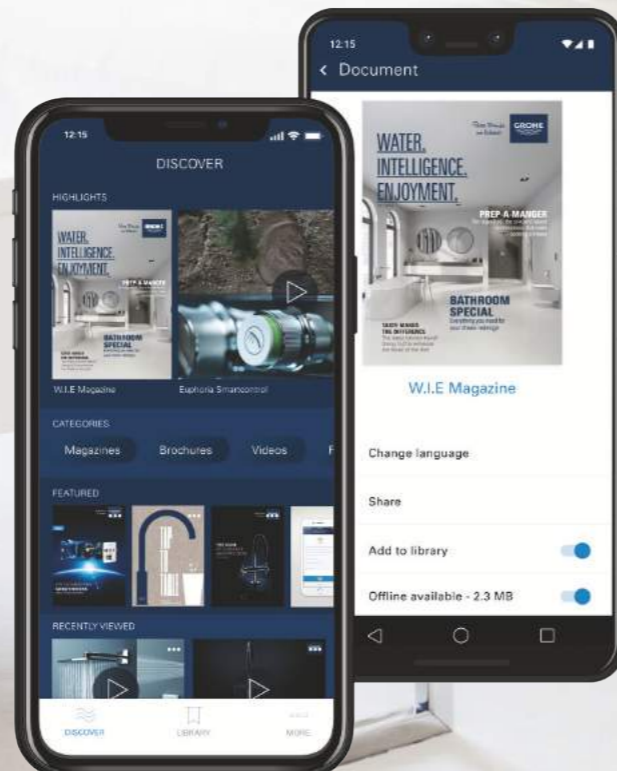
*** optional accessory 40 953 000



DISCOVER THE WORLD OF GROHE

If you're looking for ideas or solutions for your bathroom and kitchen, the GROHE Media APP is where you will find your inspiration. With a new name and a fresh new look, this app puts all the latest content from GROHE – magazines, videos, books and brochures – at your fingertips. This is just a small selection of what the world of GROHE has to offer: the perfect addition to your GROHE home.

GET IT HERE



System requirements
iPhone with iOS 11.0 or higher / smart phone with Android 6.0 or higher The Bluetooth® word mark and logos are registered trademarks owned by Bluetooth SIG, Inc. and any use of such marks by Grohe AG is under license. Other trademarks and trade names are those of their respective owners. Apple, the Apple logo, iPod, iPod Touch, iPhone and iTunes are trademarks of Apple Inc., registered in the U.S. and other countries. Apple is not responsible for the function of this device or its compliance with safety and regulatory standards.

VISIT US ONLINE AND FOLLOW US ON SOCIAL MEDIA

grohe_africa

channel/UCAtRZosfdYI622IUvnyUX3g

GROHE.Africa

GROHE_Africa





Follow us



QUALITY

*"No.1 most trusted brand
in the sanitary industry" –*

Wirtschaftswoche, 2017



TECHNOLOGY

*"Top 50 companies
to change the world" –*

Fortune Magazine, 2017



DESIGN

*Over 400 design awards
won since 2003*



SUSTAINABILITY

*CSR Award winner of the
German Government, 2017*

GROHE Africa
20 Wright Street
Factoria
Krugersdorp, 1739
South Africa
www.grohe.co.za
+27 861 21 21 21

© 07/2023 - Copyright by GROHE
Subject to change without notice.

PART OF LIXIL