

---

# Fully integrated appliances 2023/2024

---

# LIEBHERR

Refrigeration and freezing





## Timeless freshness

---

When it comes to groceries, you care about top quality and an authentic culinary experience. You take detours to visit stalls selling regional cheeses, you appreciate freshly caught fish, and you like to grow your own radishes. Wouldn't it be great if you could still taste this quality, even after several days in the fridge? Almost as if time were standing still? We think it would.

That is what motivates us to constantly develop new and even better solutions that guarantee perfect storage conditions for all kinds of groceries. For long-lasting freshness, to protect valuable vitamins, and for food that tastes as if it had just been bought or harvested. But why not find out for yourself? Check out our 2023 fully integrated range.



SICNd 5153 ◊ Prime Series

ICBNd 5163 ◊ Prime Series

# Contents

Liebherr Corporate Group	6
Quality	8
Product responsibility	10
Performance in balance	12
Freshness technologies	14
EasyFresh	16
BioFresh	17
BioFresh Professional with HydroBreeze	18
BioFresh Professional with Fish & Seafood-Safe	20
AutoDoor	22
OpenStage	24
Design	26
Convenience and flexibility	28
Water and ice	30
Side-by-Side concept	32
Connectivity	36
User interface	38
Accessories	40
Side-by-Side Food Storage Centres	42
Series	46
Overview of product range	48
Side-by-Side	50
Fridge-freezers	64
Fridges	80
Freezers	108
Under-worktop	124
Wine fridges	136
Glossary	152
Diagrams	154

# Global success: The Liebherr Group.

Liebherr is a third-generation, family-owned company founded in 1949 by Hans Liebherr with his ground-breaking invention of the world's first mobile tower crane.

With over 70 years of success, Liebherr is known as a pioneer in high-quality, breakthrough innovations and countless cutting-edge technologies in numerous industries. One of the world's largest manufacturers of construction machinery, Liebherr has expanded its broadly diversified portfolio to 13 product segments including earthmoving, deep foundation machines, mobile and crawler cranes, tower cranes, concrete technology, material handling technology, mining, maritime cranes, aerospace and transportation systems, gear technology and automation systems, components, hotels and refrigeration and freezing. The company currently employs about 48,000 people in more than 140 companies in over 50 countries worldwide.



Mobile cranes



Deep foundation



Earthmoving



Crawler cranes



Refrigeration and freezing



Liebherr-Hausgeräte GmbH, Germany

## Liebherr-Hausgeräte – Specialists in refrigeration and freezing.

Liebherr-Hausgeräte covers the full range of refrigeration and freezing for domestic and commercial use.

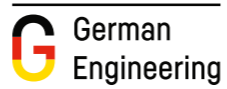
Headquartered in Germany, Liebherr-Hausgeräte has an impressive range of more than 3,000 products in its portfolio.

## Even the smallest detail deserves the utmost attention.

We prioritise uncompromising quality – down to the tiniest screw. And we have done so from the very start. We have been manufacturing high-quality refrigerators and freezers and selling them worldwide since 1954. However, at heart we are still a family business with deep roots in Germany. It is here that we continue to develop all our products just as before. German engineering – out of loyalty to our founder and with the knowledge built up by generations of engineers.

### Convenience for everybody.

Our new fully integrated appliances are available in different series: Pure, Plus, Prime and Peak. But whatever series you opt for, every single Liebherr comes with uncompromising Liebherr quality. This is because even in the Pure series, every appliance comes with a wide range of features. One example is NoFrost – the automatic defrosting function. Another is our EasyFresh technology for storing fruit and vegetables. Then there is our DuoCooling feature. With two separate refrigerant circuits, it ensures that no air is exchanged between the fridge and freezer compartments. The stored groceries do not dry out and no odours are transferred.



IRBdi 5180 Δ Peak Series

### Built to last.

You can experience our quality standards in the smallest of details. For example, before a door hinge is approved by us, it must pass through at least 100,000 opening cycles. This corresponds to a usage period of more than 15 years. We also test all other functional parts to ensure that they can last just as long.

And if, contrary to expectations, a small detail no longer meets your requirements, you or our premium service partners can usually correct it quickly. Because all our appliances are extremely repair-friendly. We keep all essential spare parts in stock for well over 10 years. This practice is not just sustainable, it also saves you money on minor repairs or the purchase of a new appliance.

### We don't just say it. We guarantee it.

During manufacturing we inspect all components of our refrigerators with great care and test them far more rigorously than required by law – and we do this for the last time just before they are packaged. It is only then that our appliances can relax a little. All of our manufacturing sites are certified in accordance with the international standards for quality ISO 9001, energy management ISO 50001 and environmental management ISO 14001. Therefore, nothing could be easier for us than to guarantee for at least two years that our products are free of material and manufacturing faults and are particularly easy to install.

In short: one thing is certain – you will be able to enjoy your Liebherr for a long time.



EasyFresh for fruit and vegetables from the Pure series onwards



No more defrosting thanks to NoFrost (from the Pure series onwards)

# Thinking beyond just today.

We are fastidious in adopting a holistic approach to sustainability when designing our appliances. The key elements of this are the durability of our appliances, maximum energy efficiency and reducing food waste. Why do we do all this? Because a holistic approach is needed to protect both people and the environment in equal measure.

## Reducing food waste.

Everyone who stores food in the optimum climate plays a big part in reducing unnecessary food waste. Our appliances make this possible – with a combination of innovative features:

First: Our freshness technologies. DuoCooling in our fridge-freezers, for example, prevents your groceries from drying out faster than need be. Innovative freshness technologies such as BioFresh ensure perfect storage conditions that significantly extend product life and freshness. So there's no need to throw food away before its time, and you don't need to go shopping so often. And the largest zero-degree compartments on the market provide enough space for extra-large amounts of groceries.

Second: Our SmartDevice app also helps you to store your food properly, giving your food a longer shelf life so you can enjoy it for even longer.

Third: Our appliances are intelligent and let you know if perfect storage for your groceries is at risk. For example, by using a door alarm to tell you if the appliance door is still open.

## Efficient in every aspect.

This year's range is also filled with appliances which rank among the most energy-efficient available on the market. And that goes for all our product groups: fridges, freezers and fridge-freezers in the new fully integrated appliance generation.

Of course there are plenty of other details, some very minor, that make a significant difference to a Liebherr in terms of efficiency, such as the many energy-saving modes. These include EnergySaver, which increases the standard temperature to 7°C, or HolidayMode, which only cools those items which really need to be kept chilled when you are on holiday, as well as CleaningMode for energy-efficient cleaning of your appliance.

## Quality for people and the environment.

Responsible handling of resources using durable materials. Our concern for the next generation means we work exclusively with long-life vacuum panels and natural refrigerants, and we will not use any HFO propellants until their environmental effects are fully understood. Even in the manufacturing process, we are mindful of the environment. We predominantly install materials that can be recycled after the appliance is scrapped. We also ensure that excess plastic is consistently reused.



**Liebherr SIBa 3950** Prime Series  
With the full space BioFresh refrigerator, we have succeeded in reaching the highest energy efficiency class in a balanced overall package. There's only one reason for this: the extremely convenient vacuum panels, which provide good insulation.



## For water without plastic.

Our InfinitySpring provides cold, perfectly filtered water in your kitchen. This saves you having to buy plastic water bottles, the transport and lugging crates around.



# Perfectly thought out: a powerful, complete package.

Our fridges are real all-rounders. Along with their low power consumption, they also have impressively low noise levels, plenty of space for groceries, a long service life and decent power reserves for when it really matters. We take account of a great many factors during the development stage and can offer a perfectly balanced appliance. Or to put it another way: all good things come in fours.



## Energy consumption

Our new fully integrated appliances units occupy top positions in the efficiency rankings. In this way, they protect the precious resources of our environment and – thanks to low electricity costs – your wallet too.

## Cooling volume

We have the perfect appliance for all family sizes, lifestyles and niche heights. We make sure that we do not waste a single litre of capacity in the extra-large drawers – right down to the smallest detail, for example with the lighting solutions that have been integrated in the housing to save space.

## Noise level

The boundaries between the kitchen and living areas are becoming ever more blurred in modern households. This underlines the importance of particularly quiet appliances. Our new fully integrated range therefore offers a wide selection of extremely quiet appliances. In some cases, it even reaches the ultra-quiet noise level of 32 db.

## Cooling performance

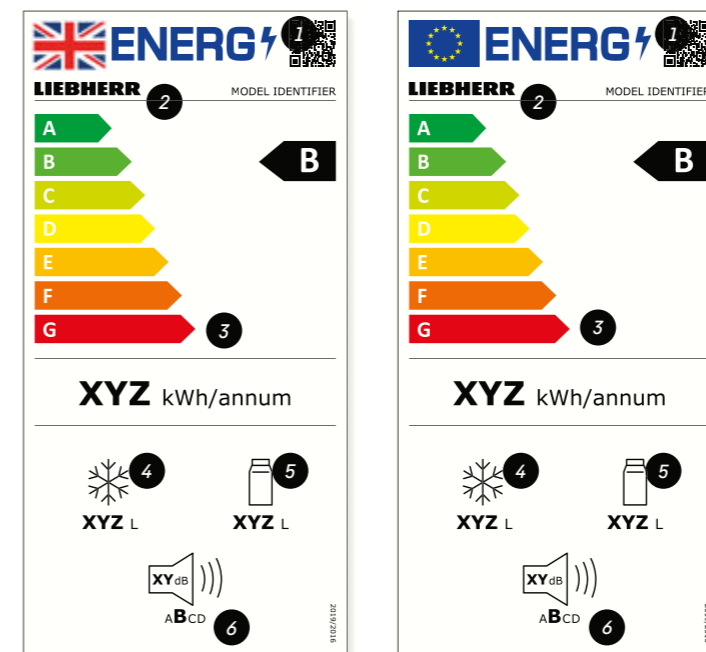
Intelligent sensor technology constantly adapts the cooling performance to current use, making our fully integrated units very energy-efficient and economical in everyday use. At the same time they also have plenty of power in reserve, for example to cool down a large quantity of groceries after the weekly shop.

### High efficiency: This is how economical a Liebherr can be



You can find out how efficient our appliances are using the online tool from the EU-financed projects LABEL2020 and BELT. At this site ([tool.label2020.eu](http://tool.label2020.eu)) you can view and compare the electricity consumption and lots of other product data for electrical appliances. The calculator also takes account of local electricity prices and shows the costs for the entire period of use. The comparison shows that a Liebherr is worth it!

### The current energy label for electronic appliances



- 1 The QR code for identifying the product in the EU's EPREL database (European Product Database for Energy Labelling).
- 2 The model identifier for manual identification of the product in the EU's EPREL database, e.g. using the article number.
- 3 The new A to G efficiency scale. Note: G is solely used for wine fridges.
- 4 The total volume\* of all freezer compartments.
- 5 The total volume\* of all cold storage and refrigerator compartments.
- 6 The noise level is classified in classes A to D.

The term "volume" is defined in current Regulation (EU) 2019/2016. The label for Great Britain includes the Union Jack.

## Tasty for longer.

You don't compromise when you're shopping. You look for natural ingredients, the best quality and maximum freshness. Of course, anyone who values good food wants to keep it fresh for as long as possible. That is precisely why we have developed innovative freshness technologies and improve them year after year, so your food still tastes fresh after some time in the refrigerator.



**DuoCooling. No drying out.**  
Our basic technology in all fridge-freezers. Two completely separate cooling circuits ensure that there is no air exchange between the fridge and freezer compartments. The food neither dries out nor spreads odour.



**EasyFresh. Ideal for fruit and vegetables.**  
Unpackaged fruit and vegetables feel right at home here. Stored at the same temperature as the fridge compartment and sealed airtight in the safe, lettuce, for example, is still crisp and fresh after 7 days.



**BioFresh. Our all-rounder.**  
The reliable BioFresh technology keeps food at a temperature just above 0 °C, much cooler than in the rest of the appliance. Fruit and vegetables stay fresh even longer in the airtight Fruit & Vegetable safe with the perfect humidity. Meat, fish and dairy products can enjoy ideal conditions in the Meat & Dairy Safe.



**BioFresh Professional with HydroBreeze. Refrigerate like the professionals.**  
A cold mist that covers fruit and vegetables like a protective balm. It ensures crisp freshness and improves structure – the special wow effect for fruit and vegetables in the BioFresh Professional Safe.



**BioFresh Professional with Fish & Seafood Safe. Like freshly caught fish from the market.**  
Particularly delicate foods like fish and seafood are best stored in icy temperatures and at low humidity. The constant temperature of -2 °C in the Fish & Seafood Safe is therefore ideal to keep these items tasting fresh for longer.



**SmartFrost. Less frequent defrosting.**  
SmartFrost technology significantly reduces frost build-up in the interior and on the frozen food. Defrosting is then required less regularly. The interior walls are particularly smooth and easy to clean.



**NoFrost. No more defrosting.**  
The automatic defrosting function guarantees that frozen foods remain fresh. There is no longer a need to store frozen food temporarily during a manual defrost. The constant optimal freezing remains the same without interruptions.







+10 days

+8 days

+3 days

Easy Fresh

+10 days

Day specifications are comparisons to the normal fridge compartment.



+12 days

Bio Fresh

+11 days

+40 days

+40 days

+48 days

# Cool and misty. Perfect weather for your vegetables.

Our HydroBreeze feature exemplifies our highest standard of freshness. A cold mist covers fruit and vegetables like a protective balm in the BioFresh Professional Safe. The mist ensures crisp freshness, improves structure and keeps produce with fine leaves fresh for longer. It also creates an optical wow effect in the BioFresh Professional Safe.



### Nature's freshness secret.

The Salinas valley in California is known as the salad bowl of the USA. And that is because of the particularly favourable climatic conditions. Its proximity to the cool waters of the Pacific means a fine, moist mist covers the valley and its fields in summer. This prevents the crops growing here from drying out. It is precisely this idea which inspired our BioFresh Professional with HydroBreeze.



Every time the door is opened, a fresh, cold mist is generated.

Hydro  
Breeze



+ 8 days

+ 10 days

+ 8 days

+ 12 days

+ 40 days

+ 11 days

+ 12 days



More about  
HydroBreeze

Specifications made in days are comparisons  
to the normal fridge compartment.

Like freshly caught fish from the market.  
With our Fish & Seafood Safe.

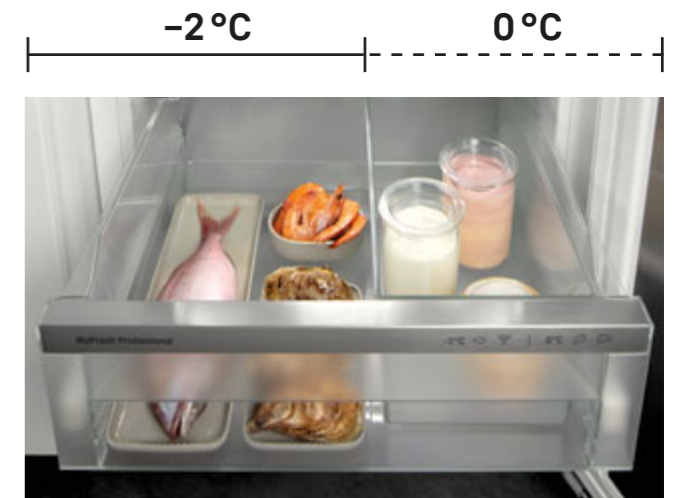
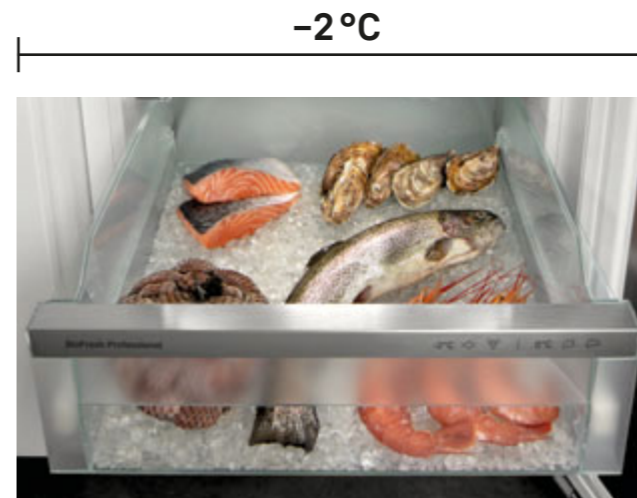
To keep fish and seafood tasting as fresh as at the market stall, even after a few days, you need a fridge compartment which maintains their freshness; such as our Fish & Seafood Safe. Fish and seafood can be stored here at  $-2\text{ }^{\circ}\text{C}$  and low humidity. Perfect conditions to enjoy that freshly caught flavour for much longer.



Day specifications are comparisons to the normal fridge compartment.



**Flexible use**  
The surface of the BioFresh Professional Safe can be adjusted to individual requirements. The  $-2\text{ }^{\circ}\text{C}$  can be partially or even completely adjusted to a temperature zone at just above  $0\text{ }^{\circ}\text{C}$ . This is the optimal storage environment for meat and dairy products. We have illustrated these four options below:





## No need to touch.

AutoDoor makes your hands-free kitchen perfect because it enables Liebherr appliances to be opened and closed completely automatically, using a knocking signal, the SmartDevice app or voice command. This keeps the handle and appliance front clean, even when your (or someone else's) hands are sticky.

The first fridges and freezers in the world that open and close fully automatically. You can individually select the opening angle and the time before closing. And if need be, you can also open and close it just as easily by hand or using your smartphone.



### Opening and closing by voice command

(Requires the SmartDevice app and Amazon Alexa or Google Assistant.)



### Opening and closing by knocking signal



### Opening and closing by Smartphone

(Requires the SmartDevice app.)



OpenStage

## The kitchen becomes a market stand: with the new OpenStage drawers.

Now there's a clear view of everything: With the transparent OpenStage drawers we are setting new standards in ease of use and design. Inspired by display cases in fine delicatessens, the OpenStage concept showcases all your food at a glance. The drawers are reminiscent of market stands and present the complete contents of the fridge in an optimally clear and ergonomically ideal way.



IRBPdi 5170 ▲ Peak Series



The captivating design has a full stainless steel panel on the rear wall and in the interior door as well as a fan with discreet ambient lighting. In this way, you will feel something special every time you open the door.

You can store a large number of drinks in the practical drawers and remove them easily. High-quality railings ensure stability. When closing the drawers you will also enjoy the highest level of convenience, thanks to the gentle self-closing mechanism.



# Timeless and elegant. Design for every kitchen.

Hidden behind the panels of your integrated kitchen, your Liebherr is inconspicuous and lets the design of the kitchen take the spotlight. But once you open it, it's immediately apparent that behind the door lies something very special.

## Design meets functionality.

Puristic and timeless on one hand. Elegant and exclusive on the other. The new design language blends seamlessly into any interior: The high quality glass and stainless steel components are impressive. The precise craftsmanship, an eye for detail and the harmonious combination of materials, shapes and colours create an aesthetically pleasing whole. This is subtly highlighted by the new lighting concept, LightTower.



The LightTower lighting concept evenly illuminates the interior while supporting the glass shelves. Flexible, space-saving, unique.



Just a fan? Not at all: the new fan with ambient lighting ensures almost uniform temperature distribution and also includes the FreshAir activated charcoal filter. Functionality at its best.



ICBNdi 5183 Δ Peak Series

## Fits exactly to your needs.



Fridges and freezers are used daily. They have long been an essential part of our lives. And they should be as simple to use and convenient for you as possible. That's why we develop fully integrated appliances that impress with their ease of use, clarity and flexibility – from the first door opening to the smallest features. In this way they adapt perfectly to meeting your needs.

Do you like things to be well organised? With the VarioBox and the VarioSafe you can store smaller objects neatly in the door or interior – always exactly at the height you like.

How about a cold drink? The glass shelf above the BioFresh safe transforms into a bottle shelf in next to no time. The freezer compartment also ensures you are well prepared. VarioSpace creates space for the largest turkey or the highest ice cream cake.

Speaking of cake: For all those who love baking, our fridges and fridge-freezers offer enough space for a full baking tray.

### Full of food. And convenience.

To ensure that all your food is always perfectly accessible, our appliances have telescopic rails in the fridge and freezer compartments which enable the drawers to slide back and forth with ease. And even once you have found all the ingredients, there is even more convenience thanks to the SoftSystem. This means that our doors always close gently and quietly, even if the force applied is a little too strong.

### Sometimes in life we can have everything we want.

The features of the new fully integrated appliance give you more freedom. The divisible glass shelf, with its effortless one-handed operation, creates space for tall containers and carafes.



ECBN 6256 PremiumPlus



## This spring has its source in the fridge.

With the InfinitySpring, we bring a crystal clear, cold water source right into the heart of your kitchen. Because water is healthy. This makes lugging heavy crates and water in plastic bottles a thing of the past. This relieves the strain on your back and on our environment. Simple and sustainable.

### Ice-cold water on tap with no heavy lifting.

The flush-mounted water dispenser is always there when it is needed and almost invisible when it's not. It is suitable for containers of almost any size, including carafes or bottles for soda makers. The integrated filter system ensures perfect water quality. By the way, unlike traditional table-top water filters, this one only needs to be replaced every six months.



## Our new space saving miracle.

The pull-out IceTower sets a new standard. It combines two large storage options: the automatic IceMaker for up to 5.7 kg of ice cubes and an additional spacious compartment, large enough to store a few family pizzas upright, for example. Plus, to ensure everything can be found easily at these dimensions, we have also provided lighting for our IceTower.



### Flexible installation.

The IceMaker is available with a direct connection to the drinking water supply. If such a connection is not available, there are also models with a water tank in the fridge compartment. So you can enjoy convenient ice cube production even without a fixed tap water connection.





Side  
by  
Side

## Creating an individually designed freshness centre (Mix and Match).

Combine your Liebherr appliances with complete flexibility to suit your individual freshness needs. All models labelled side-by-side, can be vertically and/or horizontally combined to form your individual freshness centre, providing perfect solutions to all your storage needs.

So you can have everything in one place: Generous cooling capacity, extra-long freshness with BioFresh, wines at just the right temperature and the comfort of never having to defrost again with NoFrost.

SIFNe 5188 Δ Peak Series

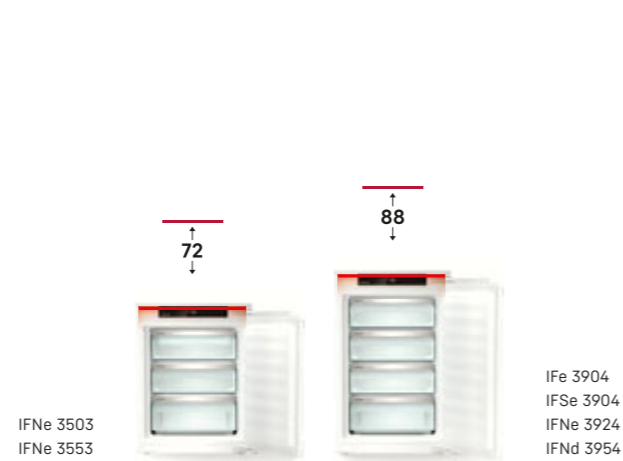
EWTdf 3553 Vinidor

IRBdi 5180 Δ Peak Series

# Create your own individual freshness centre (Mix and Match).

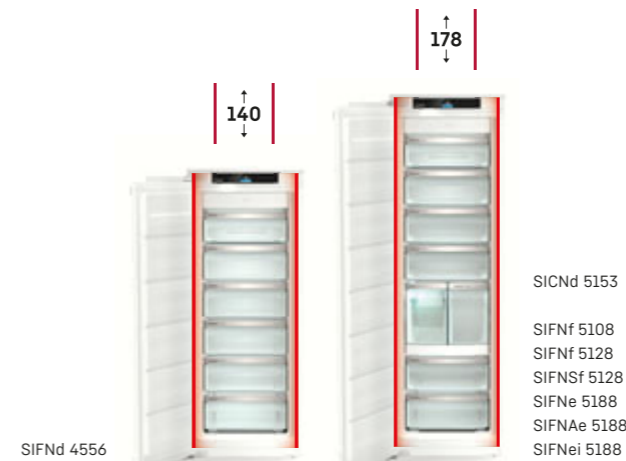
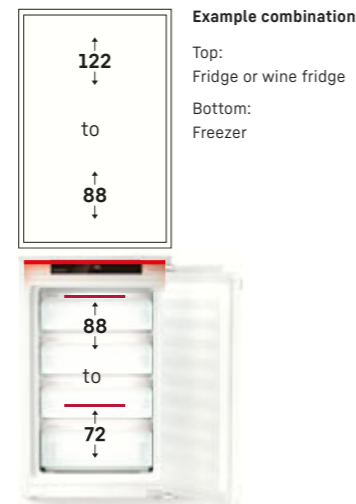


In order to prevent condensation between the units, Side-by-Side Liebherr appliances are equipped with an integrated heating element in the ceiling and/or side walls. That means that different Liebherr models can be easily combined, protecting both themselves and the kitchen furniture perfectly.



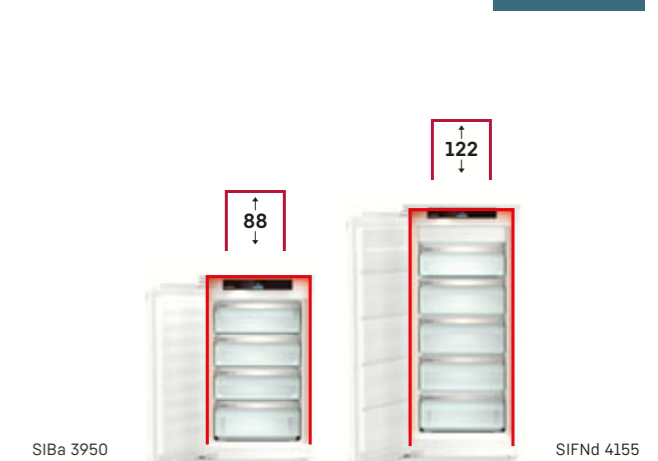
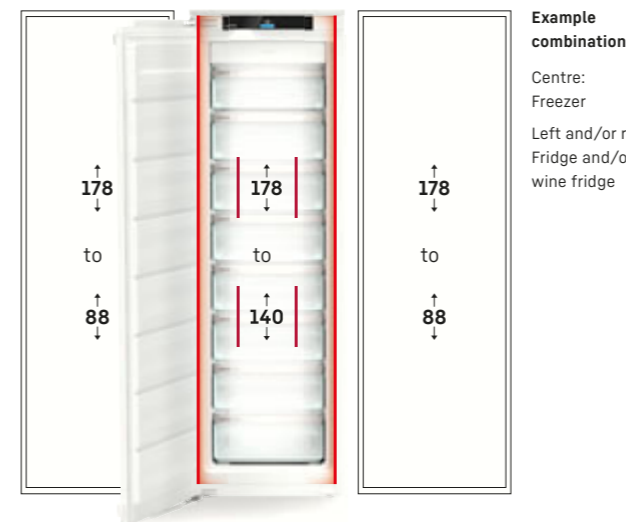
### Freezers with heated ceilings

The heated ceiling enables freezers with a niche height of 72 or 88 cm to be combined vertically with a fridge or wine fridge to any niche height.



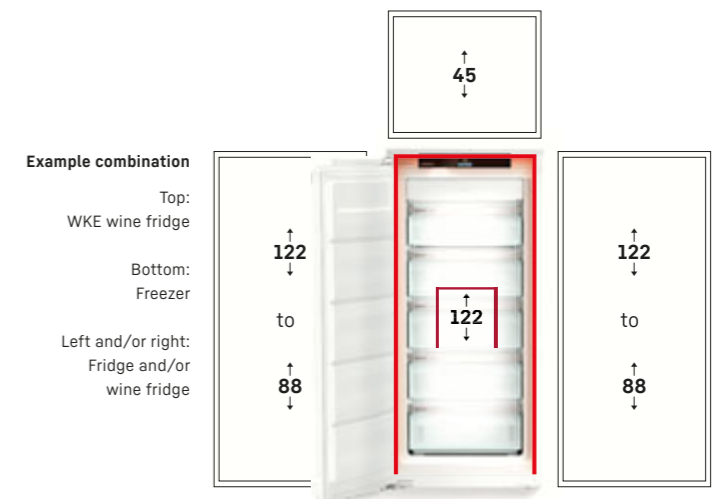
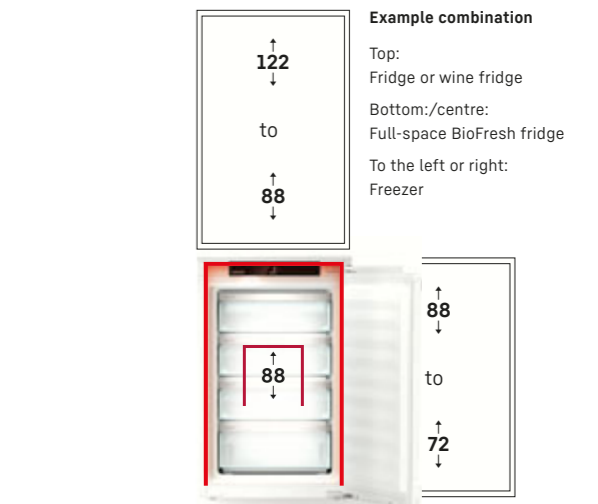
### Side walls heated on both sides

The heated side walls enable appliances to be placed on both sides at any niche height.



### Heated ceiling and side walls

The heated ceiling and heated side walls enable appliances to be combined above at any niche height. Double-sided combinations up to a niche height of 178 cm are possible.



## We are already providing what the future will bring.

One thing is clear: Technology will get smarter and smarter in the future. But does a fridge need to be intelligent? It doesn't have to be. But we believe: Another cool head in the household can't do any harm. Thanks to many smart functions, our appliances have proven themselves to be reliable helpers behind the scenes.



### Built-in progress.

Your fridge thinks for you whenever it can. For example, it reminds you of forgotten drinks in the freezer – thanks to the integrated BottleTimer. So burst bottles are a thing of the past.

And especially interesting for all those who are also drawn to the fridge at night: NightMode. The interior is then only illuminated with a dimmed light. So after a midnight snack, you can go back to bed quickly and are guaranteed not to fully wake up from your slumbers.



Learn how digitally networked refrigeration makes your everyday life easier:  
[home.liebherr.com/getsmart](http://home.liebherr.com/getsmart)

### Always perfectly networked.

All our new fully integrated models are either already networked\* at the plant or can be retrospectively connected to a WiFi network using a SmartDeviceBox. Appliances with a built-in SmartDeviceBox can be identified by the "i" behind the model name (e. g.: ICBdi 5122).

You therefore benefit from all our SmartDevice app options and from integrating the refrigerator into an existing Smart Home environment. This means appliances can be controlled easily via voice-controlled assistants such as Amazon Alexa and Google Assistant or services such as IFTTT and Home Connect Plus (country availability varies).

Important status and alarm notifications are sent directly to your smartphone, for example notification via door alarm of a fridge door being left open. However, our SmartDevice app has much more to offer. Besides the simple management of all appliances and controlling them while on the move, the app also helps with storing food correctly and therefore provides even greater enjoyment and extends shelf lives. The right accessories for each refrigerator, access to warranty extensions and much more can also be found here.

In short, our appliances make you ready for tomorrow today.

### We play it very, very safe.

We take data protection very seriously. For this reason we have chosen a software partner who shares our high standards: Microsoft. Microsoft, as the first leading provider of cloud services, is certified in accordance with the international standard ISO/IEC 27018, which regulates data protection, and uses AES-256 – the same encryption technology employed in the banking sector.

Availability may vary according to country.



Learn how digitally networked refrigeration makes your everyday life easier:  
[home.liebherr.com/getsmart](http://home.liebherr.com/getsmart)

You can download the SmartDevice app here:










# Refrigerators, that leave all your options open – and your doors closed.







We don't develop refrigerators with the most functions. We develop refrigerators with exactly the right functions to store food safely and give our customers what they really need. To make their lives noticeably easier. And then we implement these features to technical perfection.






## You can never be too safe.

-  **Door alarm**  
Alarm when the door is open, visual as well with pulsating LED lighting.
-  **Temperature alarm**  
Visual and audible warning as soon as the temperature in the freezer compartment reaches a critical level.
-  **Power failure alarm**  
Visual and audible alarm in case of power failure for safe storage.
-  **Appliance failure alarm**  
Optical and acoustic warning in case of appliance failure.
-  **Reminder**  
Automatic reminder for maintenance and care.
-  **Input lock**  
Prevents all changes to settings or activation of functions.
-  **DemoMode**  
For optimal presentation of the appliance in showrooms: User interface and lighting on, cooling system off.




## A touch more convenience.

-  **CleaningMode**  
For a perfect view when cleaning, the lights stay on while the cooling system switches off.
-  **PartyMode**  
PartyMode activates functions like SuperCool and maximum ice production.
-  **HolidayMode**  
The fan, SuperCool and SuperFrost are switched off and the fridge temperature is increased to +15 °C to save electricity. The freezer compartment stays switched on.
-  **EnergySaver**  
Raises the standard temperature to maximum 7 °C to reduce power consumption.
-  **SabbathMode**  
All lighting and sounds are switched off, deactivating themselves after 80 hours.
-  **Language settings\***  
Variable language setting for 12 languages on the display.

## Core competence cooling.

-  **Temperature display**  
The display always shows the current temperature value. Flashing items in the menu indicate changes..
-  **SuperFrost**  
Increased cooling in the freezer compartment for vitamin-preserving freezing.
-  **SuperCool**  
Increase the cooling performance until the fresh food is as cool as the rest of the contents.

## Simply smart with the app.

-  **NightMode**  
All sounds and noises are switched off – and the lighting is dimmed. For undisturbed quiet.
-  **BottleTimer**  
Extra fast cooling by activating SuperFrost. The app sends an automatic reminder to take the bottles out of the ice compartment.
-  **IceCubeTimer\*\***  
Faster rate of ice cube production. As soon as the ice cubes are ready, the app sends a notification.

\*Function only available with Touch & Swipe display.  
\*\*Available only in the Prime and Peak series.

# Practical accessories for every need.

Discover the versatility of the original Liebherr range of accessories for your fridge – and make your daily life a little easier.



## Organisational systems

A fridge compartment design to suit your needs: If you want to sort your groceries clearly, you could use the VarioSafe, VarioBoxes, variable egg trays and the FlexSystem, for example. Additional bottle shelves and clip-on labelling systems provide a clear overview of wine stocks.



VarioBoxes



FlexSystem



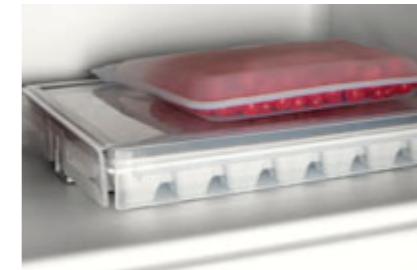
Bottle shelf

## Useful help of all kinds

From the practical butter dish to the easy-fill ice cube tray with a lid or the handy freezer tray, the range of accessories offers plenty of smart solutions for serving food and keeping it fresh.



Butter dish



Ice cube tray with lid



Freezer tray



**FreshAir activated charcoal filter**

Cleans the circulating air and quickly binds unpleasant odours. The filter is easy to replace and ensures optimum air quality.



**SmartDeviceBox**

You can retrofit your Liebherr with a SmartDeviceBox to connect it to the internet. The SmartDeviceBox can be installed in just a few steps and will open up the whole world of digital possibilities to you today.

Please note that not all accessories fit all models. To find the accessory range for your appliance, please visit the Liebherr website [home.liebherr.com](http://home.liebherr.com) for details or buy them from your Liebherr dealer.

# Quality down to the finest detail



## SmartSteel rear wall

The rear wall in elegant SmartSteel gives your Liebherr a stylish look and feel. Your food will also love SmartSteel as stainless steel is food-safe and hygienic. SmartSteel also reduces the visibility of fingerprints – making the appearance even more pleasing.



## BioFresh

Crunchy salad and strawberries: the most delicate foods deserve a special place so they stay fresh longer – in BioFresh safes. In the Fruit & Vegetable safe the temperature is close to 0°C. Combined here with the constant humidity, thanks to the air-tight closure, unpackaged fruit and vegetables feel particularly at home. You do not have to adjust anything.



## IceMaker with fixed water connection

Are there any ice cubes left? An IceMaker means you never have to ask. With the IceMaker with fixed water connection, the water comes directly from the tap. The MaxIce function allows you to produce up to 1.5 kg of ice cubes a day. The ice cube separator helps to divide the drawer into any size you want – for example, ice cubes on the left, ice cream on the right – or just for ice cubes.



## LED side lighting on both sides

For a quick overview of everything in the refrigerator: thanks to the LED side lighting on both sides, your food is in view at all times. The LEDs are positioned so that your large refrigerator is also illuminated with food inside it. And the LEDs integrated flush into the side walls mean that the valuable usable area is fully maintained.



## NoFrost

When you open your freezer, you want to see frozen food – and certainly not ice and frost. NoFrost protects the freezer compartment from unwanted icing, which consumes a lot of energy and can be expensive. NoFrost means no more tedious and time-consuming defrosting of the freezer compartment, more time for other things – and saving money.



## Versatile bottle shelf

The versatile bottle shelf is an innovative feature in all BioFresh Premium models. It can be positioned above or below the glass shelf to suit individual requirements.



## ECBN 6256 PremiumPlus

Door-on-door / built-in appliance for integrated use

Energy efficiency class:	<b>F</b> <small>A G</small>
Energy consumption per year / 24 h:	<b>341 / 0.934 kWh</b>
Total volume <sup>1</sup> :	<b>522 l</b>
Volume: Fridge: 292.2 l / BioFresh compartment: 70.6 l / Freezer compartment: 160 l	
Noise output / Sound power level:	<b>40 dB(A) / C</b>
Climate rating:	<b>SN-T (from +10°C to +43°C)</b>
Aperture dimensions in cm (h/w/d):	<b>203.2 - 207.2 / 91.5 / at least 63.5</b>
Special fitting depth see installation diagram	



### Controls

- MagicEye, Touch electronics
- Digital temperature display for refrigerator and freezer compartment
- FrostControl
- Alarm in case of malfunction: visual and acoustic
- Door alarm: acoustic
- Child lock function

### Fridge and BioFresh compartment

- PowerCooling
- Premium GlassLine shelving with bottle carrier, egg tray
- 3 GlassLine shelves
- Variable bottle shelves
- LED lighting column on both sides and LED ceiling light
- LED BioFresh lighting
- 2 BioFresh-Safes with telescopic rails, both variably adjustable from HydroSafe to DrySafe

### Freezer compartment **\*\*\*\***

- 2 Self-closing drawers on telescopic rails
- IceMaker for plumbed-in connection 3/4"
- Ice cube production in 24 h: 1.3 kg
- Ice cube storage: 2.7 kg
- LED lighting
- Storage time in the event of power cut: 12 h
- Freezing capacity in 24 h: 10 kg

### Key features

- Height-adjustable feet at front and rear
- Door stop left fix / right fix
- Dry rear wall in stainless steel

Stainless steel panels and handles available as accessories.



## ECBN 6156 PremiumPlus

Door-on-door / built-in appliance for integrated use

Energy efficiency class:	<b>F</b> <small>A G</small>
Energy consumption per year / 24 h:	<b>414 / 1.134 kWh</b>
Total volume <sup>1</sup> :	<b>522 l</b>
Volume: Fridge: 292.2 l / BioFresh compartment: 70.6 l / Freezer compartment: 160 l	
Noise output / Sound power level:	<b>41 dB(A) / C</b>
Climate rating:	<b>SN-T (from +10°C to +43°C)</b>
Aperture dimensions in cm (h/w/d):	<b>203.2 - 207.2 / 91.5 / at least 63.5</b>
Special fitting depth see installation diagram	



### Controls

- MagicEye, Touch electronics
- Digital temperature display for refrigerator and freezer compartment
- FrostControl
- Alarm in case of malfunction: visual and acoustic
- Door alarm: acoustic
- Child lock function

### Fridge and BioFresh compartment

- PowerCooling
- Premium GlassLine shelving with bottle carrier, egg tray
- 3 GlassLine shelves
- Variable bottle shelves
- LED lighting column on both sides and LED ceiling light
- LED BioFresh lighting
- 2 BioFresh-Safes with telescopic rails, both variably adjustable from HydroSafe to DrySafe

### Freezer compartment **\*\*\*\***

- 2 Self-closing drawers on telescopic rails
- IceMaker for plumbed-in connection 3/4"
- Ice cube production in 24 h: 1.3 kg
- Ice cube storage: 2.7 kg
- LED lighting
- Storage time in the event of power cut: 12 h
- Freezing capacity in 24 h: 10 kg

### Key features

- Height-adjustable feet at front and rear
- Left or Right hand hinge, fixed
- Dry rear wall in stainless steel

Choose from left (617) or right (001) hand hinge, fixed.

Stainless steel panels and handles available as accessories.

<sup>1</sup> In accordance with Regulation EU 2019/2016 we indicate the total volume to the nearest integer (rounded off) and the volume of the frozen compartments and refrigeration compartments to one place after the decimal point. You can find the full range of efficiency classes on page 13. According to (EU) 2017/1369 6a.



**ECBN 5066**  
PremiumPlus

Door-on-door / built-in appliance for integrated use

Energy efficiency class:	<b>F</b>
Energy consumption per year / 24 h:	326 / 0.893 kWh
Total volume <sup>1</sup> :	402 l
Volume:	Fridge: 215.3 l / BioFresh compartment: 62.1 l / Freezer compartment: 125 l
Noise output / Sound power level:	42 dB(A) / D
Climate rating:	SN-T (from +10 °C to +43 °C)
Aperture dimensions in cm (h/w/d):	203.2 - 207.2 / 76.2 / at least 63.5

Special dimension depth see installation diagram



**Controls**

- MagicEye, Touch electronics
- Digital temperature display for refrigerator and freezer compartment
- Alarm in case of malfunction: visual and acoustic
- Door alarm: acoustic
- Child lock function

**Fridge and BioFresh compartment**

- PowerCooling
- Premium GlassLine shelving with bottle carrier, egg tray
- 3 GlassLine shelves, of which 1 divisible
- Variable bottle shelf
- LED light column, both sides
- LED BioFresh lighting
- 2 BioFresh-Safes with telescopic rails, both variably adjustable from HydroSafe to DrySafe

**Freezer compartment** \*\*\*\*

- 2 Self-closing drawers on telescopic rails
- IceMaker for plumbed-in connection 3/4"
- Ice cube production in 24 h: 1.0 kg
- Ice cube storage: 2.7 kg
- LED lighting
- Storage time in the event of power cut: 16 h
- Freezing capacity in 24 h: 6 kg

**Key features**

- Height-adjustable feet at front and rear
- Left or Right hand hinge, fixed
- Dry rear wall in stainless steel

Choose from left (617) or right (001) hand hinge, fixed.

Stainless steel panels and handles available as accessories.

<sup>1</sup> In accordance with Regulation EU 2019/2016 we indicate the total volume to the nearest integer (rounded off) and the volume of the frozen compartments and refrigeration compartments to one place after the decimal point. You can find the full range of efficiency classes on page 13. According to (EU) 2017/1369 da.

For a clear overview.  
Even before you  
open the fridge.

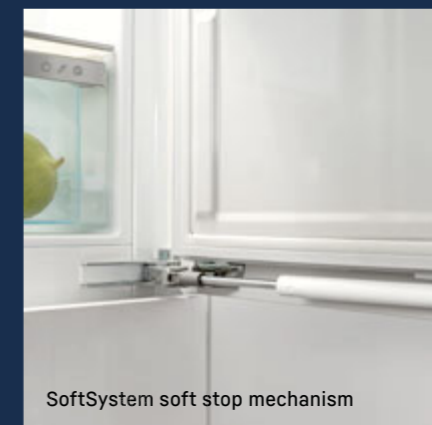
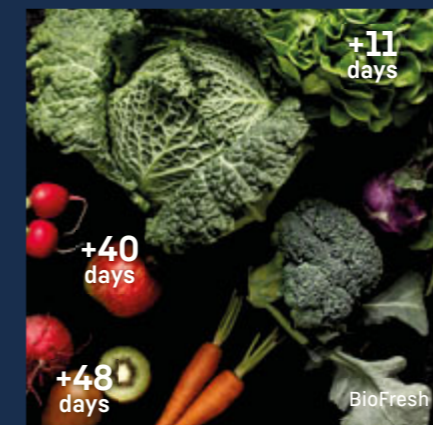
- Pure
- ◇ Plus
- ⬡ Prime
- △ Peak

Which appliance is right for me?

This customer question is not always easy to answer. That's why we have made things even simpler by dividing our product range into four easy to understand Series.

○ **Pure Series**

The Pure Series is our basic class. Simple, clear and perfectly equipped for all essential needs. Appliances in the Pure Series are stripped down to the essentials. But full to the brim with the highest level of Liebherr quality.

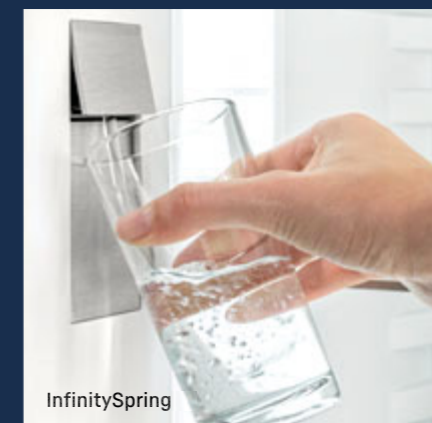
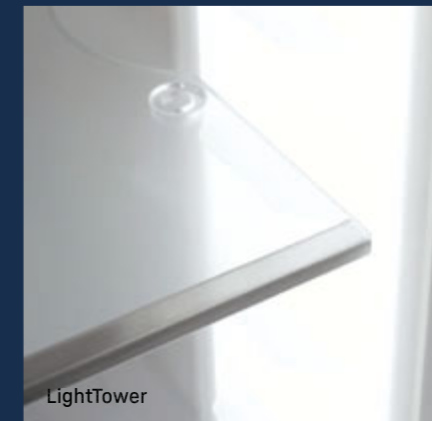


◇ **Plus Series**

The Plus Series builds on our Pure Series and has many impressive additional details. Above all, Plus means a plus in comfort. The appliances not only provide first-class refrigerating and freezing, they are also just that little bit smarter. They help make much of the handling a little easier.

⬡ **Prime Series**

With the Prime Series things get much more classy. It makes an unmistakable mark in terms of design and material. Above all, genuine materials are used inside the appliances, such as stainless steel. But also special lighting solutions make the appliances in this Series particularly appealing.



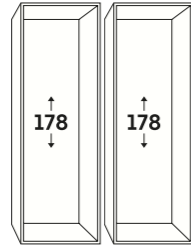
△ **Peak Series**

The Peak Series sits at the top of our Series. This combines the best with the best. There is no compromise. Innovative Liebherr technology meets high-end design and comfort solutions that are simply the best in its class. Appliances in this Series are for those who want everything.



# Overview of product range according to niche and series

## Side-by-Side Freshness Centres

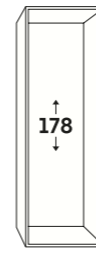


Door on door	Combination   Combination	
BioFresh EasyFresh   BioFresh NoFrost   NoFrost IceMaker	<b>IXCC 5165</b>	
	SICNd 5153	ICBNd 5163
EasyFresh   BioFresh NoFrost   NoFrost	<b>IXCC 5155</b>	
	SICNd 5153	ICBNd 5153

Door on door	Freezer   Fridge	
BioFresh Professional NoFrost   HydroBreeze IceTower	<b>IXRF 5186</b>	
	SIFNei 5188	IRBdi 5180
NoFrost   HydroBreeze IceTower   Fish & Seafood	<b>IXRF 5185</b>	
	SIFNe 5188	IRBd 5170
NoFrost   HydroBreeze IceTower   InfinitySpring AutoDoor   AutoDoor	<b>IXRFA 5175</b>	
	SIFNAe 5188	IRBAAd 5190
BioFresh NoFrost   IceTower   BioFresh	<b>IXRF 5175</b>	
	SIFNei 5188	IRBPdi 5170
NoFrost   IceTower   BioFresh	<b>IXRF 5165</b>	
	SIFNe 5188	IRBd 5150
NoFrost   BioFresh	<b>IXRF 5125</b>	
	SIFNf 5128	IRBe 5120
EasyFresh NoFrost   EasyFresh	<b>IXRF 5100</b>	
	SIFNf 5108	IRe 5100

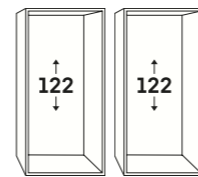
Sliding door	Freezer   Fridge	
BioFresh NoFrost   BioFresh	<b>IXRFS 5125</b>	
	SIFNSf 5128	IRBSe 5120

## Combined refrigerator-freezer



Door on door		
BioFresh Professional NoFrost	ICBNdi 5183	
SmartFrost	ICBc 5182	
BioFresh NoFrost	ICBNd 5163	
	ICBNd 5153	
	ICBNe 5123	
SmartFrost	ICBdi 5122	
	ICBb 5152	
EasyFresh NoFrost	ICNdi 5173	
	ICNdi 5153	
	SICNd 5153	
	ICNd 5123	
	ICNe 5133	
	ICNf 5103	
SmartFrost	ICd 5123	
	ICe 5103	

Sliding door		
EasyFresh NoFrost	ICNSf 5103	
SmartFrost	ICSe 5122	
	ICSe 5103	



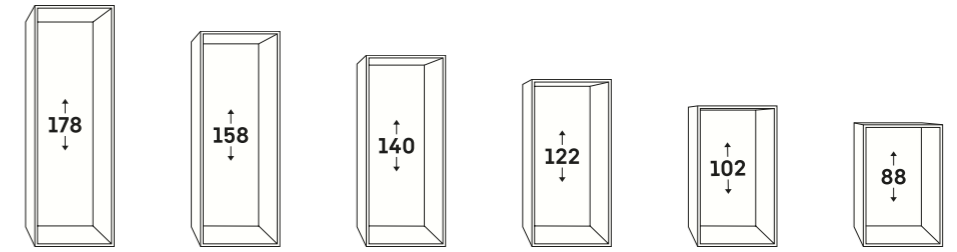
Door on door	Freezer   Fridge	
BioFresh NoFrost   BioFresh	<b>IXRF 4155</b>	
	SIFNd 4155	IRBd 4150

### △ Peak Series

### ○ Prime Series

### ◇ Plus Series

### ○ Pure Series



## Fridges

Door on door					
BioFresh Professional HydroBreeze/Fish & Seafood	IRBd 5170				
HydroBreeze	IRBAAd 5190		IRBd 4570	IRBAAd 4170	
	IRBci 5170			IRBb 4170	
	IRBdi 5180				
	IRBAAd 5171				
BioFresh	IRBPdi 5170	IRBe 4851			
	IRBd 5151		IRBd 4550	IRBd 4150	IRBd 4050
	IRBd 5150				IRBd 4020
	IRBe 5120				
EasyFresh			IRe 4521	IRd 4151	IRc 3950
	IRf 5101		IRe 4520	IRe 4101	IRd 3900
	IRe 5100			IRe 4100	
Bottle pull-out	IRDe 5120				
Sliding door					
BioFresh	IRBSe 5120				
BioFresh/Cellar compartment	IRCBf 5121				
EasyFresh					IRSe 3901
					IRSe 3900
Flush					
EasyFresh					DRe 3900

## Freezers

Door-on-door					
NoFrost/IceTower	SIFNAe 5188				
	SIFNei 5188				
	SIFNe 5188				
NoFrost	SIFNf 5128	SIFNd 4556	SIFNd 4155	IFNd 3954	IFNe 3553
	SIFNf 5108			IFNe 3924	
					IFNe 3503
SmartFrost				IFe 3904	
Sliding door					
NoFrost	SIFNSf 5128				
SmartFrost				IFSe 3904	

# Side-by-Side

SIFNe 5188 Δ Peak Series

IRBPdi 5170 Δ Peak Series

**Side  
by  
Side**

Create your own freshness centre with our side by side fridges, freezers and wine fridges in various recesses. For more information about the Side-by-Side concept see pages 32-35.



**IXRF 5186**  
Peak

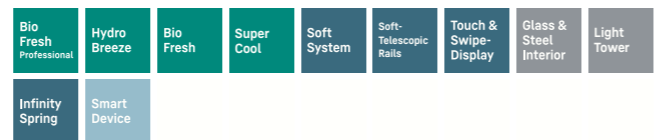
<b>SIFNei 5188 Peak</b>	
Door-on-door / built-in appliance for integrated use	
Energy efficiency class:	<b>E</b> <small>A G</small>
Energy consumption per year / 24 h:	<b>237 / 0.649 kWh</b>
Total volume <sup>1</sup> :	<b>213 l</b>
Noise output / Sound power level:	<b>35 dB(A) / B, SuperSilent</b>
Climate rating:	<b>SN-T (from +10 °C to +43 °C)</b>
Aperture dimensions in cm (h/w/d):	<b>177.2 - 178.8 / 56 - 57 / at least 55.0</b>



- Controls**
- 2,4" TFT-colour display, touch- & swipe-electronics
  - Digital temperature display
  - SmartDeviceBox included
  - Alarm in case of malfunction: visual and acoustic
  - Door alarm freezer compartment: visual and acoustic
- Freezer compartment **E**\*\*\***
- 8 drawers, of which 5 on telescopic rails, VarioSpace
  - IceTower
  - IceMaker for plumbed-in connection 3/4"
  - Ice cube storage: 5.7 kg
  - LED lighting
  - Storage time in the event of power cut: 9 h
  - Freezing capacity in 24 h: 10 kg
  - 2 cold storage accumulators
  - Safety glass fittings

- Key features**
- Side-panel heating on both sides, suitable for combination with other fridges, freezers and/or wine appliances
  - Height-adjustable feet at front
  - Left hand hinge, reversible
  - Replaceable door seal

<b>IRBdi 5180 Peak</b>	
Door-on-door / built-in appliance for integrated use	
Energy efficiency class:	<b>D</b> <small>A G</small>
Energy consumption per year / 24 h:	<b>125 / 0.342 kWh</b>
Total volume <sup>1</sup> :	<b>296 l</b>
Volume:	<b>Fridge: 198.1 l / BioFresh compartment: 97.9 l</b>
Noise output / Sound power level:	<b>32 dB(A) / B, SuperSilent</b>
Climate rating:	<b>SN-T (from +10 °C to +43 °C)</b>
Aperture dimensions in cm (h/w/d):	<b>177.2 - 178.8 / 56 - 57 / at least 55.0</b>



- Controls**
- 2,4" TFT-colour display, touch- & swipe-electronics
  - Digital temperature display for refrigerator and BioFresh compartment
  - SmartDeviceBox included
  - Alarm in case of malfunction: visual and acoustic
  - Door alarm fridge compartment: visual and acoustic
- Fridge and BioFresh compartment**
- PowerCooling with Ambilight and FreshAir active carbon filter
  - Premium GlassLine shelving with bottle holder, removable VarioBoxes, adjustable egg tray, butter dish
  - 6 GlassLine shelves, of which 1 divisible
  - VarioSafe
  - Integrated bottle shelf
  - LightTower
  - LED BioFresh lighting
- Key features**
- 3 BioFresh-Safes with SoftTelescopic, 2 Fruit & Vegetable-Safes, of which 1 with HydroBreeze, 1 Meat & Dairy-Safe, 1 FlexSystem
  - InfinitySpring with fixed water connection 3/4"
  - Height-adjustable feet at front
  - Reversible door hinging
  - Replaceable door seal
  - Dry rear wall and door panel in stainless steel with SmartSteel

<sup>1</sup> In accordance with Regulation EU 2019/2016 we indicate the total volume to the nearest integer (rounded off) and the volume of the frozen compartments and refrigeration compartments to one place after the decimal point.



**IXRF 5175**  
Peak

<b>SIFNei 5188 Peak</b>	
Door-on-door / built-in appliance for integrated use	
Energy efficiency class:	<b>E</b> <small>A G</small>
Energy consumption per year / 24 h:	<b>237 / 0.649 kWh</b>
Total volume <sup>1</sup> :	<b>213 l</b>
Noise output / Sound power level:	<b>35 dB(A) / B, SuperSilent</b>
Climate rating:	<b>SN-T (from +10 °C to +43 °C)</b>
Aperture dimensions in cm (h/w/d):	<b>177.2 - 178.8 / 56 - 57 / at least 55.0</b>



- Controls**
- 2,4" TFT-colour display, touch- & swipe-electronics
  - Digital temperature display
  - SmartDeviceBox included
  - Alarm in case of malfunction: visual and acoustic
  - Door alarm freezer compartment: visual and acoustic
- Freezer compartment **E**\*\*\***
- 8 drawers, of which 5 on telescopic rails, VarioSpace
  - IceTower
  - IceMaker for plumbed-in connection 3/4"
  - Ice cube storage: 5.7 kg
  - LED lighting
  - Storage time in the event of power cut: 9 h
  - Freezing capacity in 24 h: 10 kg
  - 2 cold storage accumulators
  - Safety glass fittings
- Key features**
- Side-panel heating on both sides, suitable for combination with other fridges, freezers and/or wine appliances
  - Height-adjustable feet at front
  - Left hand hinge, reversible
  - Replaceable door seal

<b>IRBPdi 5170 (OpenStage) Peak</b>	
Door-on-door / built-in appliance for integrated use	
Energy efficiency class:	<b>D</b> <small>A G</small>
Energy consumption per year / 24 h:	<b>125 / 0.342 kWh</b>
Total volume <sup>1</sup> :	<b>297 l</b>
Volume:	<b>Fridge: 199.0 l / BioFresh compartment: 98.4 l</b>
Noise output / Sound power level:	<b>33 dB(A) / B, SuperSilent</b>
Climate rating:	<b>SN-T (from +10 °C to +43 °C)</b>
Aperture dimensions in cm (h/w/d):	<b>177.2 - 178.8 / 56 - 57 / at least 55.0</b>



- Controls**
- 2,4" TFT-colour display, touch- & swipe-electronics
  - Digital temperature display for refrigerator and BioFresh compartment
  - SmartDeviceBox included
  - Alarm in case of malfunction: visual and acoustic
  - Door alarm fridge compartment: visual and acoustic
- Fridge and BioFresh compartment**
- PowerCooling with Ambilight and FreshAir active carbon filter
  - Variable egg tray, butter dish
  - 5 GlassLine drawers on fully extendible telescopic rails with SoftTelescopic
  - Integrated bottle shelf
  - LightTower
  - LED BioFresh lighting
  - 3 BioFresh-Safes with SoftTelescopic, 2 Fruit & Vegetable-Safes, 1 Meat & Dairy-Safe, 1 FlexSystem
- Key features**
- Height-adjustable feet at front
  - Reversible door hinging
  - Replaceable door seal
  - Dry rear wall and door panel in stainless steel with SmartSteel

You can find the full range of efficiency classes on page 13. According to (EU) 2017/1369 6a.



**IXCC 5165**  
Prime

<b>SICNd 5153 Prime</b>	
Door-on-door / built-in appliance for integrated use	
Energy efficiency class:	<b>D</b> <small>A G</small>
Energy consumption per year / 24 h:	<b>181 / 0.495 kWh</b>
Total volume <sup>1</sup> :	<b>254 l</b>
Volume:	<b>Fridge: 184.4 l / Freezer compartment: 70 l</b>
Noise output / Sound power level:	<b>34 dB(A) / B, SuperSilent</b>
Climate rating:	<b>SN-T (from +10 °C to +43 °C)</b>
Aperture dimensions in cm (h/w/d):	<b>177.2 - 178.8 / 56 - 57 / at least 55.0</b>

Easy Fresh	Duo Cooling	No Frost	Super Cool	Super Frost	Soft System	Touch & Swipe-Display	Vario Space	Glass & Steel Interior
Light Tower	Smart Device ready							

- Controls**
- 2.4" TFT-colour display, touch- & swipe-electronics
  - Digital temperature display for refrigerator and freezer compartment
  - SmartDeviceBox: as an optional accessory
  - Alarm in case of malfunction: visual and acoustic
  - Door alarm Fridge-freezer compartment: visual and acoustic
- Freezer compartment **\*\*\*\*****
- 3 drawers, VarioSpace
  - Ice cube tray with lid
  - LED lighting
  - Storage time in the event of power cut: 9 h
  - Freezing capacity in 24 h: 6 kg
  - 2 cold storage accumulators
  - Safety glass fittings
- Key features**
- Side-panel heating on both sides, suitable for combination with other fridges, freezers and/or wine appliances
  - Height-adjustable feet at front
  - Left hand hinge, reversible
  - Replaceable door seal
  - Dry rear wall in stainless steel with SmartSteel
- Fridge compartment**
- PowerCooling with FreshAir active carbon filter
  - Premium GlassLine shelving with bottle holder, removable VarioBoxes, adjustable egg tray, butter dish
  - 5 GlassLine shelves, of which 1 divisible
  - VarioSafe
  - 3 bottle shelf
  - LightTower
  - 1 EasyFresh-Safe on telescopic rails

<b>ICBNd 5163 Prime</b>	
Door-on-door / built-in appliance for integrated use	
Energy efficiency class:	<b>D</b> <small>A G</small>
Energy consumption per year / 24 h:	<b>208 / 0.569 kWh</b>
Total volume <sup>1</sup> :	<b>246 l</b>
Volume:	<b>Fridge: 104.1 l / BioFresh compartment: 71.2 l / Freezer compartment: 71 l</b>
Noise output / Sound power level:	<b>34 dB(A) / B, SuperSilent</b>
Climate rating:	<b>SN-ST (from +10 °C to +38 °C)</b>
Aperture dimensions in cm (h/w/d):	<b>177.2 - 178.8 / 56 - 57 / at least 55.0</b>

Bio Fresh	Duo Cooling	No Frost	Super Cool	Super Frost	Soft System	Soft-Telescopic Rails	Touch & Swipe-Display	Vario Space
Glass & Steel Interior	Light Tower	Ice Maker	Smart Device ready					

- Controls**
- 2.4" TFT-colour display, touch- & swipe-electronics
  - Digital temperature display for fridge, BioFresh and freezer compartments
  - SmartDeviceBox: as an optional accessory
  - Alarm in case of malfunction: visual and acoustic
  - Door alarm Fridge-freezer compartment: visual and acoustic
- Freezer compartment **\*\*\*\*****
- 3 drawers, VarioSpace
  - IceMaker for plumbed-in connection 3/4"
  - Ice cube production in 24 h: 1.2 kg
  - Ice cube storage: 5 kg
  - LED lighting
  - Storage time in the event of power cut: 9 h
  - Freezing capacity in 24 h: 6 kg
  - 2 cold storage accumulators
  - Safety glass fittings
- Key features**
- Height-adjustable feet at front
  - Right hand hinge, reversible
  - Replaceable door seal
  - Dry rear wall in stainless steel with SmartSteel
- Fridge and BioFresh compartment**
- PowerCooling with FreshAir active carbon filter
  - Premium GlassLine shelving with bottle holder, removable VarioBoxes, adjustable egg tray, butter dish
  - 3 GlassLine shelves, of which 1 divisible
  - Bottle shelf
  - LightTower
  - LED BioFresh lighting
  - 2 BioFresh-Safes with SoftTelescopic, 1 Fruit & Vegetable-Safe, 1 Meat & Dairy-Safe

<sup>1</sup> In accordance with Regulation EU 2019/2016 we indicate the total volume to the nearest integer (rounded off) and the volume of the frozen compartments and refrigeration compartments to one place after the decimal point.



**IXCC 5155**  
Prime

<b>SICNd 5153 Prime</b>	
Door-on-door / built-in appliance for integrated use	
Energy efficiency class:	<b>D</b> <small>A G</small>
Energy consumption per year / 24 h:	<b>181 / 0.495 kWh</b>
Total volume <sup>1</sup> :	<b>254 l</b>
Volume:	<b>Fridge: 184.4 l / Freezer compartment: 70 l</b>
Noise output / Sound power level:	<b>34 dB(A) / B, SuperSilent</b>
Climate rating:	<b>SN-T (from +10 °C to +43 °C)</b>
Aperture dimensions in cm (h/w/d):	<b>177.2 - 178.8 / 56 - 57 / at least 55.0</b>

Easy Fresh	Duo Cooling	No Frost	Super Cool	Super Frost	Soft System	Touch & Swipe-Display	Vario Space	Glass & Steel Interior
Light Tower	Smart Device ready							

- Controls**
- 2.4" TFT-colour display, touch- & swipe-electronics
  - Digital temperature display for refrigerator and freezer compartment
  - SmartDeviceBox: as an optional accessory
  - Alarm in case of malfunction: visual and acoustic
  - Door alarm Fridge-freezer compartment: visual and acoustic
- Freezer compartment **\*\*\*\*****
- 3 drawers, VarioSpace
  - Ice cube tray with lid
  - LED lighting
  - Storage time in the event of power cut: 9 h
  - Freezing capacity in 24 h: 6 kg
  - 2 cold storage accumulators
  - Safety glass fittings
- Key features**
- Side-panel heating on both sides, suitable for combination with other fridges, freezers and/or wine appliances
  - Height-adjustable feet at front
  - Left hand hinge, reversible
  - Replaceable door seal
  - Dry rear wall in stainless steel with SmartSteel
- Fridge compartment**
- PowerCooling with FreshAir active carbon filter
  - Premium GlassLine shelving with bottle holder, removable VarioBoxes, adjustable egg tray, butter dish
  - 5 GlassLine shelves, of which 1 divisible
  - VarioSafe
  - 3 bottle shelf
  - LightTower
  - 1 EasyFresh-Safe on telescopic rails

You can find the full range of efficiency classes on page 13. According to (EU) 2017/1369 6a.

<b>ICBNd 5153 Prime</b>	
Door-on-door / built-in appliance for integrated use	
Energy efficiency class:	<b>D</b> <small>A G</small>
Energy consumption per year / 24 h:	<b>207 / 0.567 kWh</b>
Total volume <sup>1</sup> :	<b>245 l</b>
Volume:	<b>Fridge: 104.1 l / BioFresh compartment: 71.2 l / Freezer compartment: 70 l</b>
Noise output / Sound power level:	<b>34 dB(A) / B, SuperSilent</b>
Climate rating:	<b>SN-ST (from +10 °C to +38 °C)</b>
Aperture dimensions in cm (h/w/d):	<b>177.2 - 178.8 / 56 - 57 / at least 55.0</b>

Bio Fresh	Duo Cooling	No Frost	Super Cool	Super Frost	Soft System	Soft-Telescopic Rails	Touch & Swipe-Display	Vario Space
Glass & Steel Interior	Light Tower	Smart Device ready						

- Controls**
- 2.4" TFT-colour display, touch- & swipe-electronics
  - Digital temperature display for fridge, BioFresh and freezer compartments
  - SmartDeviceBox: as an optional accessory
  - Alarm in case of malfunction: visual and acoustic
  - Door alarm Fridge-freezer compartment: visual and acoustic
- Freezer compartment **\*\*\*\*****
- 3 drawers, VarioSpace
  - Ice cube tray with lid
  - LED lighting
  - Storage time in the event of power cut: 9 h
  - Freezing capacity in 24 h: 6 kg
  - 2 cold storage accumulators
  - Safety glass fittings
- Key features**
- Height-adjustable feet at front
  - Right hand hinge, reversible
  - Replaceable door seal
  - Dry rear wall in stainless steel with SmartSteel
- Fridge and BioFresh compartment**
- PowerCooling with FreshAir active carbon filter
  - Premium GlassLine shelving with bottle holder, removable VarioBoxes, adjustable egg tray, butter dish
  - 3 GlassLine shelves, of which 1 divisible
  - Bottle shelf
  - LightTower
  - LED BioFresh lighting
  - 2 BioFresh-Safes with SoftTelescopic, 1 Fruit & Vegetable-Safe, 1 Meat & Dairy-Safe



**IXRFA 5175**

Peak

<b>SIFNAe 5188 Peak</b>	
Door-on-door / built-in appliance for integrated use	
Energy efficiency class:	<b>E</b> <small>A G</small>
Energy consumption per year / 24 h:	<b>237 / 0.649 kWh</b>
Total volume <sup>1</sup> :	<b>213 l</b>
Noise output / Sound power level:	<b>35 dB(A) / B, SuperSilent</b>
Climate rating:	<b>SN-T (from +10 °C to +43 °C)</b>
Aperture dimensions in cm (h/w/d):	<b>177.2 - 178.8 / 56 - 57 / at least 55.0</b>

No Frost	Super Frost	Soft System	Telescopic Rails	Touch & Swipe-Display	VarioSpace	LED	Ice Tower	Ice Maker
Auto Door	Smart Device							

**Controls**

- 2.4" TFT-colour display, touch- & swipe-electronics
- Digital temperature display
- SmartDeviceBox included
- Alarm in case of malfunction: visual and acoustic
- Door alarm freezer compartment: visual and acoustic

**Key features**

- Side-panel heating on both sides, suitable for combination with other fridges, freezers and/or wine appliances
- Height-adjustable feet at front
- Left hand hinge, reversible
- Replaceable door seal

**Freezer compartment **E**\*\*\***

- 8 drawers, of which 5 on telescopic rails, VarioSpace
- IceTower
- IceMaker for plumbed-in connection 3/4"
- Ice cube storage: 5.7 kg
- LED lighting
- Storage time in the event of power cut: 9 h
- Freezing capacity in 24 h: 10 kg
- 2 cold storage accumulators
- Safety glass fittings

Choose from left (617) or right (001) hand hinge, fixed. Must be chosen at the point of sale, or completed by Liebherr trained and approved service agents.

<b>IRBA d 5190 Peak</b>	
Door-on-door / built-in appliance for integrated use	
Energy efficiency class:	<b>D</b> <small>A G</small>
Energy consumption per year / 24 h:	<b>125 / 0.342 kWh</b>
Total volume <sup>1</sup> :	<b>296 l</b>
Volume:	<b>Fridge: 198.1 l / BioFresh compartment: 97.9 l</b>
Noise output / Sound power level:	<b>32 dB(A) / B, SuperSilent</b>
Climate rating:	<b>SN-T (from +10 °C to +43 °C)</b>
Aperture dimensions in cm (h/w/d):	<b>177.2 - 178.8 / 56 - 57 / at least 55.0</b>

Bio Fresh Professional	Hydro Breeze	Super Cool	Soft System	Soft-Telescopic Rails	Touch & Swipe-Display	Glass & Steel Interior	Light Tower	Infinity Spring
Auto Door	Smart Device							

**Controls**

- 2.4" TFT-colour display, touch- & swipe-electronics
- Digital temperature display for refrigerator and BioFresh compartment
- SmartDeviceBox included
- Alarm in case of malfunction: visual and acoustic
- Door alarm fridge compartment: visual and acoustic

- 3 BioFresh-Safes with SoftTelescopic, 2 Fruit & Vegetable-Safes, of which 1 with HydroBreeze, 1 Meat & Dairy-Safe, 1 FlexSystem
- InfinitySpring with fixed water connection 3/4"

**Key features**

- Height-adjustable feet at front
- Right hand hinge, reversible
- Replaceable door seal
- Dry rear wall and door panel in stainless steel with SmartSteel

**Fridge and BioFresh compartment**

- PowerCooling with Ambilight and FreshAir active carbon filter
- Premium GlassLine shelving with bottle holder, removable VarioBoxes, adjustable egg tray, butter dish
- 6 GlassLine shelves, of which 1 divisible
- VarioSafe
- Bottle shelf
- LightTower
- LED BioFresh lighting



**IXRF 5185**

Peak

<b>SIFNe 5188 Peak</b>	
Door-on-door / built-in appliance for integrated use	
Energy efficiency class:	<b>E</b> <small>A G</small>
Energy consumption per year / 24 h:	<b>237 / 0.649 kWh</b>
Total volume <sup>1</sup> :	<b>213 l</b>
Noise output / Sound power level:	<b>35 dB(A) / B, SuperSilent</b>
Climate rating:	<b>SN-T (from +10 °C to +43 °C)</b>
Aperture dimensions in cm (h/w/d):	<b>177.2 - 178.8 / 56 - 57 / at least 55.0</b>

No Frost	Super Frost	Soft System	Telescopic Rails	Touch & Swipe-Display	VarioSpace	LED	Ice Tower	Ice Maker
Smart Device ready								

**Controls**

- 2.4" TFT-colour display, touch- & swipe-electronics
- Digital temperature display
- SmartDeviceBox: as an optional accessory
- Alarm in case of malfunction: visual and acoustic
- Door alarm freezer compartment: visual and acoustic

**Key features**

- Side-panel heating on both sides, suitable for combination with other fridges, freezers and/or wine appliances
- Height-adjustable feet at front
- Left hand hinge, reversible
- Replaceable door seal

**Freezer compartment **E**\*\*\***

- 8 drawers, of which 5 on telescopic rails, VarioSpace
- IceTower
- IceMaker for plumbed-in connection 3/4"
- Ice cube storage: 5.7 kg
- LED lighting
- Storage time in the event of power cut: 9 h
- Freezing capacity in 24 h: 10 kg
- 2 cold storage accumulators
- Safety glass fittings

<b>IRB d 5170 Peak</b>	
Door-on-door / built-in appliance for integrated use	
Energy efficiency class:	<b>D</b> <small>A G</small>
Energy consumption per year / 24 h:	<b>124 / 0.339 kWh</b>
Total volume <sup>1</sup> :	<b>293 l</b>
Volume:	<b>Fridge: 198.1 l / BioFresh compartment: 95.2 l</b>
Noise output / Sound power level:	<b>32 dB(A) / B, SuperSilent</b>
Climate rating:	<b>SN-T (from +10 °C to +43 °C)</b>
Aperture dimensions in cm (h/w/d):	<b>177.2 - 178.8 / 56 - 57 / at least 55.0</b>

Bio Fresh Professional	Hydro Breeze	Fish & Seafood	Super Cool	Soft System	Soft-Telescopic Rails	Touch & Swipe-Display	Glass & Steel Interior	Light Tower
Smart Device ready								

**Controls**

- 2.4" TFT-colour display, touch- & swipe-electronics
- Digital temperature display for refrigerator and BioFresh compartment
- SmartDeviceBox: as an optional accessory
- Alarm in case of malfunction: visual and acoustic
- Door alarm fridge compartment: visual and acoustic

- 3 BioFresh-Safes with SoftTelescopic, 1 Fruit & Vegetable-Safe with HydroBreeze, 1 Fish & Seafood-Safe, 1 Meat & Dairy-Safe, 1 FlexSystem

**Key features**

- Height-adjustable feet at front
- Right hand hinge, reversible
- Replaceable door seal
- Dry rear wall and door panel in stainless steel with SmartSteel

**Fridge and BioFresh compartment**

- PowerCooling with Ambilight and FreshAir active carbon filter
- Premium GlassLine shelving with bottle holder, removable VarioBoxes, adjustable egg tray, butter dish
- 6 GlassLine shelves, of which 1 divisible
- VarioSafe
- Bottle shelf
- LightTower
- LED BioFresh lighting

<sup>1</sup> In accordance with Regulation EU 2019/2016 we indicate the total volume to the nearest integer (rounded off) and the volume of the frozen compartments and refrigeration compartments to one place after the decimal point.

You can find the full range of efficiency classes on page 13. According to (EU) 2017/1369 6a.



**IXRF 5165**  
Prime

<b>SIFNe 5188 Peak</b>		<b>IRBd 5150 Prime</b>	
Door-on-door / built-in appliance for integrated use		Door-on-door / built-in appliance for integrated use	
Energy efficiency class:	<b>E</b> <small>A G</small>	Energy efficiency class:	<b>D</b> <small>A G</small>
Energy consumption per year / 24 h:	<b>237 / 0.649 kWh</b>	Energy consumption per year / 24 h:	<b>125 / 0.342 kWh</b>
Total volume <sup>1</sup> :	<b>213 l</b>	Total volume <sup>1</sup> :	<b>296 l</b>
		Volume:	<b>Fridge: 197.7 l / BioFresh compartment: 98.4 l</b>
Noise output / Sound power level:	<b>35 dB(A) / B, SuperSilent</b>	Noise output / Sound power level:	<b>32 dB(A) / B, SuperSilent</b>
Climate rating:	<b>SN-T (from +10 °C to +43 °C)</b>	Climate rating:	<b>SN-T (from +10 °C to +43 °C)</b>
Aperture dimensions in cm (h/w/d):	<b>177.2 - 178.8 / 56 - 57 / at least 55.0</b>	Aperture dimensions in cm (h/w/d):	<b>177.2 - 178.8 / 56 - 57 / at least 55.0</b>



Smart Device ready

**Controls**

- 2.4" TFT-colour display, touch- & swipe-electronics
- Digital temperature display
- SmartDeviceBox: as an optional accessory
- Alarm in case of malfunction: visual and acoustic
- Door alarm freezer compartment: visual and acoustic

**Freezer compartment** **\*\*\*\***

- 8 drawers, of which 5 on telescopic rails, VarioSpace
- IceTower
- IceMaker for plumbed-in connection 3/4"
- Ice cube storage: 5.7 kg
- LED lighting
- Storage time in the event of power cut: 9 h
- Freezing capacity in 24 h: 10 kg
- 2 cold storage accumulators
- Safety glass fittings

**Key features**

- Side-panel heating on both sides, suitable for combination with other fridges, freezers and/or wine appliances
- Height-adjustable feet at front
- Left hand hinge, reversible
- Replaceable door seal

Stainless steel panel and handle available as optional accessory: No. 9902007

<sup>1</sup> In accordance with Regulation EU 2019/2016 we indicate the total volume to the nearest integer (rounded off) and the volume of the frozen compartments and refrigeration compartments to one place after the decimal point.



**IXRF 5125**  
Plus

<b>SIFNf 5128 Plus</b>		<b>IRBe 5120 Plus</b>	
Door-on-door / built-in appliance for integrated use		Door-on-door / built-in appliance for integrated use	
Energy efficiency class:	<b>F</b> <small>A G</small>	Energy efficiency class:	<b>E</b> <small>A G</small>
Energy consumption per year / 24 h:	<b>296 / 0.811 kWh</b>	Energy consumption per year / 24 h:	<b>156 / 0.427 kWh</b>
Total volume <sup>1</sup> :	<b>213 l</b>	Total volume <sup>1</sup> :	<b>294 l</b>
		Volume:	<b>Fridge: 195.8 l / BioFresh compartment: 98.2 l</b>
Noise output / Sound power level:	<b>35 dB(A) / B, SuperSilent</b>	Noise output / Sound power level:	<b>37 dB(A) / C</b>
Climate rating:	<b>SN-T (from +10 °C to +43 °C)</b>	Climate rating:	<b>SN-T (from +10 °C to +43 °C)</b>
Aperture dimensions in cm (h/w/d):	<b>177.2 - 178.8 / 56 - 57 / at least 55.0</b>	Aperture dimensions in cm (h/w/d):	<b>177.2 - 178.8 / 56 - 57 / at least 55.0</b>



Smart Device ready

**Controls**

- LC monochrome display, touch electronic
- Digital temperature display
- SmartDeviceBox: as an optional accessory
- Alarm in case of malfunction: visual and acoustic
- Door alarm freezer compartment: visual and acoustic

**Freezer compartment** **\*\*\*\***

- 8 drawers, VarioSpace
- Ice cube tray
- Storage time in the event of power cut: 9 h
- Freezing capacity in 24 h: 10 kg

**Key features**

- Side-panel heating on both sides, suitable for combination with other fridges, freezers and/or wine appliances
- Height-adjustable feet at front
- Left hand hinge, reversible
- Replaceable door seal

Stainless steel panel and handle available as optional accessory: No. 9902007

You can find the full range of efficiency classes on page 13. According to (EU) 2017/1369 6a.



Smart Device ready

**Controls**

- LC monochrome display, touch electronic
- Digital temperature display for refrigerator compartment
- SmartDeviceBox: as an optional accessory
- Alarm in case of malfunction: visual and acoustic
- Door alarm fridge compartment: visual and acoustic

**Fridge and BioFresh compartment**

- PowerCooling with FreshAir active carbon filter
- Plastic storage racks with bottle holder
- 6 GlassLine shelves, of which 1 divisible
- Bottle shelf
- LED ceiling lighting
- 3 BioFresh-Safes on telescopic rails, 2 Fruit & Vegetable-Safe, 1 Meat & Dairy-Safe

**Key features**

- Height-adjustable feet at front
- Right hand hinge, reversible
- Replaceable door seal

## Integrated Side-by-Side Freshness Centres



### IXRFS 5125

Plus

#### SIFNSf 5128 Plus

Sliding door / built-in appliance for integrated use

Energy efficiency class:



Energy consumption per year / 24 h: **296 / 0.811 kWh**

Total volume <sup>1</sup>: **213 l**

Noise output / Sound power level: **35 dB(A) / B, SuperSilent**

Climate rating: **SN-T (from +10 °C to +43 °C)**

Aperture dimensions in cm (h/w/d): **177.2 - 178.8 / 56 - 57 / at least 55.0**

#### IRBSe 5120 Plus

Sliding door / built-in appliance for integrated use

Energy efficiency class:



Energy consumption per year / 24 h: **156 / 0.427 kWh**

Total volume <sup>1</sup>: **294 l**

Volume: **Fridge: 195.8 l / BioFresh compartment: 98.2 l**

Noise output / Sound power level: **37 dB(A) / C**

Climate rating: **SN-T (from +10 °C to +43 °C)**

Aperture dimensions in cm (h/w/d): **177.2 - 178.8 / 56 - 57 / at least 55.0**



#### Controls

- LC monochrome display, touch electronic
- Digital temperature display
- SmartDeviceBox: as an optional accessory
- Alarm in case of malfunction: visual and acoustic
- Door alarm freezer compartment: visual and acoustic

#### Freezer compartment

- 8 drawers, VarioSpace
- Ice cube tray
- Storage time in the event of power cut: 9 h
- Freezing capacity in 24 h: 10 kg

#### Key features

- Side-panel heating on both sides, suitable for combination with other fridges, freezers and/or wine appliances
- Height-adjustable feet at front
- Left hand hinge, reversible
- Replaceable door seal

Stainless steel panel and handle available as optional accessory: No. 9902007



#### Controls

- LC monochrome display, touch electronic
- Digital temperature display for refrigerator compartment
- SmartDeviceBox: as an optional accessory
- Alarm in case of malfunction: visual and acoustic
- Door alarm fridge compartment: visual and acoustic

#### Fridge and BioFresh compartment

- PowerCooling with FreshAir active carbon filter
- Plastic storage racks with bottle holder
- 6 GlassLine shelves, of which 1 divisible
- Bottle shelf
- LED ceiling lighting
- 3 BioFresh-Safes on telescopic rails, 2 Fruit & Vegetable-Safe, 1 Meat & Dairy-Safe

#### Key features

- Height-adjustable feet at front
- Right hand hinge, reversible
- Replaceable door seal



SIFNS 5128 Plus Series

IRBSe 5120 Plus Series



### Touch display

Fingertip control: the touch display enables easy and intuitive operation of your Liebherr. All functions are clearly arranged on the display. By gently tapping a finger, for example, you can easily select the functions or check the current temperature of your refrigerator.



### Retrofitable SmartDeviceBox

Want to be prepared for the future of the Smart Home? Your Liebherr will be happy to help. You can retrofit it with a SmartDeviceBox which will connect your Liebherr to the Internet. The SmartDeviceBox can be installed in just a few steps and will open up the whole world of digital possibilities to you today.

<sup>1</sup> In accordance with Regulation EU 2019/2016 we indicate the total volume to the nearest integer (rounded off) and the volume of the frozen compartments and refrigeration compartments to one place after the decimal point. You can find the full range of efficiency classes on page 13. According to (EU) 2017/1369 6a.



**IXRF 5100**  
Pure

<b>SIFNf 5108 Pure</b>		<b>IRe 5100 Pure</b>	
Door-on-door / built-in appliance for integrated use		Door-on-door / built-in appliance for integrated use	
Energy efficiency class:	<b>D</b> <small>A G</small>	Energy efficiency class:	<b>D</b> <small>A G</small>
Energy consumption per year / 24 h:	<b>296 / 0.811 kWh</b>	Energy consumption per year / 24 h:	<b>114 / 0.312 kWh</b>
Total volume <sup>1</sup> :	<b>213 l</b>	Total volume <sup>1</sup> :	<b>308 l</b>
		Volume:	<b>Fridge: 308.8 l</b>
Noise output / Sound power level:	<b>35 dB(A) / B, SuperSilent</b>	Noise output / Sound power level:	<b>35 dB(A) / B, SuperSilent</b>
Climate rating:	<b>SN-T (from +10 °C to +43 °C)</b>	Climate rating:	<b>SN-T (from +10 °C to +43 °C)</b>
Aperture dimensions in cm (h/w/d):	<b>177.2 - 178.8 / 56 - 57 / at least 55.0</b>	Aperture dimensions in cm (h/w/d):	<b>177.2 - 178.8 / 56 - 57 / at least 55.0</b>



**Controls**

- LC monochrome display, touch electronic
- Digital temperature display
- SmartDeviceBox: as an optional accessory
- Alarm in case of malfunction: visual and acoustic
- Door alarm freezer compartment: visual and acoustic

**Freezer compartment** \*\*\*

- 8 drawers, VarioSpace
- Storage time in the event of power cut: 9 h
- Freezing capacity in 24 h: 10 kg
- Safety glass fittings

**Key features**

- Side-panel heating on both sides, suitable for combination with other fridges, freezers and/or wine appliances
- Height-adjustable feet at front
- Left hand hinge, reversible
- Replaceable door seal



**Controls**

- LC monochrome display, touch electronic
- Digital temperature display
- SmartDeviceBox: as an optional accessory
- Alarm in case of malfunction: visual and acoustic
- Door alarm fridge compartment: visual and acoustic

**Fridge compartment**

- PowerCooling with FreshAir active carbon filter
- Plastic storage racks with bottle holder
- 7 GlassLine shelves
- LED ceiling lighting
- 1 EasyFresh-Safe on telescopic rails
- 1 vegetable drawer running on telescopic rails

**Key features**

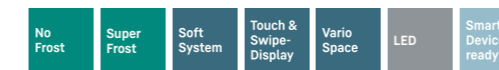
- Height-adjustable feet at front
- Right hand hinge, reversible
- Replaceable door seal

Stainless steel panel and handle available as optional accessory: No. 9902007



**IXRF 4155**  
Prime

<b>SIFNd 4155 Prime</b>		<b>IRBd 4150 Prime</b>	
Door-on-door / built-in appliance for integrated use		Door-on-door / built-in appliance for integrated use	
Energy efficiency class:	<b>F</b> <small>A G</small>	Energy efficiency class:	<b>E</b> <small>A G</small>
Energy consumption per year / 24 h:	<b>166 / 0.454 kWh</b>	Energy consumption per year / 24 h:	<b>114 / 0.312 kWh</b>
Total volume <sup>1</sup> :	<b>129 l</b>	Total volume <sup>1</sup> :	<b>191 l</b>
		Volume:	<b>Fridge: 124.1 l / BioFresh compartment: 67.0 l</b>
Noise output / Sound power level:	<b>34 dB(A) / B, SuperSilent</b>	Noise output / Sound power level:	<b>35 dB(A) / B, SuperSilent</b>
Climate rating:	<b>SN-T (from +10 °C to +43 °C)</b>	Climate rating:	<b>SN-T (from +10 °C to +43 °C)</b>
Aperture dimensions in cm (h/w/d):	<b>121.6 - 122.6 / 56 - 57 / at least 55.0</b>	Aperture dimensions in cm (h/w/d):	<b>121.6 - 123.1 / 56 - 57 / at least 55.0</b>



**Controls**

- 2.4" TFT-colour display, touch- & swipe-electronics
- Digital temperature display
- SmartDeviceBox: as an optional accessory
- Alarm in case of malfunction: visual and acoustic
- Door alarm freezer compartment: visual and acoustic

**Freezer compartment** \*\*\*

- 5 drawers, VarioSpace
- Ice cube tray with lid
- LED lighting
- Storage time in the event of power cut: 9 h
- Freezing capacity in 24 h: 8 kg
- 2 cold storage accumulators
- Safety glass fittings

**Key features**

- Side-panel heating and ceiling heating, suitable for combination with other fridges, freezers and/or wine appliances
- Height-adjustable feet at front
- Left hand hinge, reversible
- Replaceable door seal



**Controls**

- 2.4" TFT-colour display, touch- & swipe-electronics
- Digital temperature display for refrigerator and BioFresh compartment
- SmartDeviceBox: as an optional accessory
- Alarm in case of malfunction: visual and acoustic
- Door alarm fridge compartment: visual and acoustic

**Fridge and BioFresh compartment**

- PowerCooling with FreshAir active carbon filter
- Premium GlassLine shelving with bottle holder, removable VarioBoxes, adjustable egg tray, butter dish
- 3 GlassLine shelves, of which 1 divisible
- VarioSafe
- Integrated bottle shelf
- LightTower
- LED BioFresh lighting
- 2 BioFresh-Safes with SoftTelescopic, 1 Fruit & Vegetable-Safe, 1 Meat & Dairy-Safe

**Key features**

- Height-adjustable feet at front
- Reversible door hinging
- Replaceable door seal
- Dry rear wall in stainless steel with SmartSteel



---

# Fridge-freezers

---



# Fridge-freezers



○ Pure Series



◇ Plus Series



◻ Prime Series



△ Peak Series

	○ Pure Series	◇ Plus Series	◻ Prime Series	△ Peak Series	
<b>Freshness technology</b>	EasyFresh	EasyFresh	EasyFresh on telescopic rails	EasyFresh on telescopic rails	
		BioFresh on telescopic rails	BioFresh with SoftTelescopic	BioFresh Professional with SoftTelescopic	
	DuoCooling	DuoCooling	DuoCooling	DuoCooling	
	FreshAir filter	FreshAir filter	FreshAir filter	FreshAir filter	
	SmartFrost	SmartFrost	SmartFrost	SmartFrost	
	NoFrost	NoFrost	NoFrost	NoFrost on telescopic rails	
<b>Comfort &amp; flexibility</b>		Divisible glass shelf	Divisible glass shelf	Divisible glass shelf	
		SoftSystem soft stop mechanism	SoftSystem soft stop mechanism	SoftSystem soft stop mechanism	
		VarioSafe	VarioSafe	VarioSafe	
			VarioBoxes	VarioBoxes	
			Butter dish	Butter dish	
	Egg tray	Egg tray	2in1 egg tray	2in1 egg tray	
		Bottle shelf	Bottle shelf	Bottle shelf	
		Ice cube tray	Ice cube tray with lid	Ice cube tray with lid	
				FlexSystem	
				Freezer tray	
<b>Design</b>	Ceiling or side lighting fridge compartment	Ceiling or side lighting fridge compartment	LightTower	LightTower	
			Lighting BioFresh safe	Lighting BioFresh safe	
			Freezer light	Freezer light	
				IceMaker lighting	
				Fan lighting	
			SmartSteel rear wall	SmartSteel rear wall	
				SmartSteel door interior	
		Transparant glass	Transparant glass	Satin finish glass	Satin finish glass
		Stainless steel look shelves	Stainless steel look shelves	Glass & stainless steel rack	Glass & stainless steel rack
		Touch display	Touch display	Touch & Swipe display	Touch & Swipe display
<b>Connectivity (SmartDeviceBox)</b>	Can be retrofitted	Can be retrofitted or is included with "i" models	Can be retrofitted or is included with "i" models	Can be retrofitted or is included with "i" models	
<b>Water &amp; ice</b>		IceMaker	IceMaker	IceMaker	
				InfinitySpring	

The standard features mentioned above may vary depending on the model. Details can be found in the model description.

# Quality down to the finest detail



## EasyFresh

The guarantee of market freshness in the home is our EasyFreshSafe. Whether it's unpackaged vegetables or fruit, this ensures optimal storage for everything. Thanks to the air-tight closure, the food causes the humidity in the safe to rise. This keeps the food fresh for a long time.



## SuperSilent

Shhh – listen carefully. Your Liebherr is so quiet that you have to strain your ears to hear it. How is this achieved? All refrigeration components such as compressors, valves, fans and evaporators are optimised and perfectly adapted to one another. This means you only hear what you want to hear in your kitchen.



## IceMaker

Are there any ice cubes left? An IceMaker means you never have to ask. With the IceMaker with fixed water connection, the water comes directly from the tap. The MaxIce function allows you to produce up to 1.5 kg of ice cubes a day. The ice cube separator helps to divide the drawer into any size you want – for example, ice cubes on the left, ice cream on the right – or just for ice cubes.



## LED freezer compartment lighting

The LED freezer compartment lighting ensures your freezer drawers are pleasantly lit. This makes it even easier for you to find the food you want. The energy-efficient LED unit is elegantly positioned above the drawers to save space.



## LightTower

Enjoy an optimally illuminated interior: the LightTower shows off the food in its best light and is positioned so that all of your filled fridge is illuminated at all times. The flush mounting of the LightTower in the side walls means there is also more space for your food.



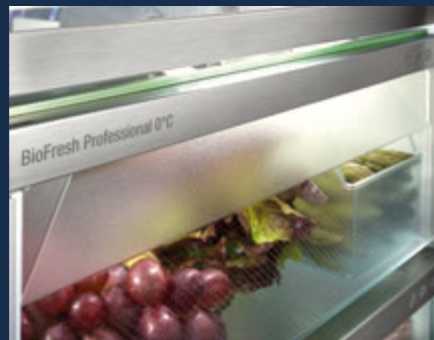
## FlexSystem

Small and delicate fruit in the refrigerator can easily roll out of sight or become crushed. That's why your Liebherr comes with the FlexSystem. Two flexibly positionable boxes in the BioFresh safe ensure everything is clearly arranged and organised. And they also safely protect even the smallest raspberry from bruising or from being mixed up with other foods.



## NoFrost

When you open your freezer, you want to see frozen food – and certainly not ice and frost. NoFrost protects the freezer compartment from unwanted icing, which consumes a lot of energy and can be expensive. NoFrost means no more tedious and time-consuming defrosting of the freezer compartment, more time for other things – and saving money.



## BioFresh Professional

Do you want to cool fruit and vegetables like professionals? You'll be inspired by HydroBreeze. The cold mist combined with a temperature in the safe of around 0 °C gives food that extra boost for longer shelf life. And it creates a genuine visual wow effect. HydroBreeze is activated every 90 min. for 4 seconds and for 8 seconds when the door is opened.



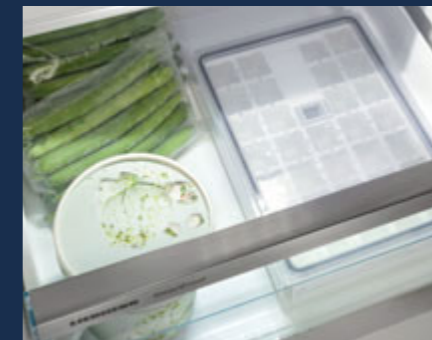
## DuoCooling

DuoCooling uses two completely separate refrigeration circuits to ensure no air is exchanged between the fridge and freezer compartments. The food neither dries out nor is odour transferred. This means throwing less away, shopping less often, but saving more and greater enjoyment.



## Side-by-Side concept

The side-by-side concept makes it possible to position fridges, freezers and wine fridges to suit your needs. Special technology for controlling the environment between appliances with major temperature differences enables numerous combinations. More information see pages 32-35.



## Ice cube tray with lid

The large ice cube tray is easy to fill with water thanks to its convenient fill opening. The lid seals on tightly so that the tray can be safely moved and placed in the appliance without spills.



## 2 in 1 egg tray

Do you like chicken eggs? So does your Liebherr – that's why it has the 2in1 egg tray. This not only provides space for up to 20 chicken eggs, but also for up to 24 quail eggs. The egg tray consists of an outer and an inner part which can be slid into each other in different ways. By turning the tray over, the quail egg holes can be used.



**ICBNdi 5183**  
Peak

Door-on-door / built-in appliance for integrated use	
Energy efficiency class:	<b>D</b>
Energy consumption per year / 24 h:	<b>208 / 0.569 kWh</b>
Total volume <sup>1</sup> :	<b>246 l</b>
Volume: Fridge: 104.5 l / BioFresh compartment: 70.7 l / Freezer compartment: 71 l	
Noise output / Sound power level:	<b>34 dB(A) / B, SuperSilent</b>
Climate rating:	<b>SN-ST (from +10 °C to +38 °C)</b>
Aperture dimensions in cm (h/w/d):	<b>177.2 - 178.8 / 56 - 57 / at least 55.0</b>

Bio Fresh Professional	Hydro Breeze	Duo Cooling	No Frost	Super Cool	Super Frost	Soft System	Soft-Telescopic Rails	Touch & Swipe-Display
Vario Space	Glass & Steel Interior	Light Tower	Infinity Spring	Ice Maker	Smart Device			

- Controls**
- 2.4" TFT-colour display, touch- & swipe-electronics
  - Digital temperature display for fridge, BioFresh and freezer compartments
  - SmartDeviceBox included
  - Alarm in case of malfunction: visual and acoustic
  - Door alarm Fridge-freezer compartment: visual and acoustic
- Fridge and BioFresh compartment**
- PowerCooling with Ambilight and FreshAir active carbon filter
  - Premium GlassLine shelving with bottle holder, removable VarioBoxes, adjustable egg tray, butter dish
  - 3 GlassLine shelves, of which 1 divisible
  - Bottle shelf
  - LightTower
  - LED BioFresh lighting
  - 2 BioFresh-Safes with SoftTelescopic, 1 Fruit & Vegetable-Safe with HydroBreeze, 1 Meat & Dairy-Safe, 1 FlexSystem
- Freezer compartment** **\*\*\*\***
- 3 drawers, of which 2 on telescopic rails, VarioSpace
  - IceMaker for plumbed-in connection 3/4"
  - Ice cube production in 24 h: 1.2 kg
  - Ice cube storage: 5 kg
  - LED lighting
  - Storage time in the event of power cut: 9 h
  - Freezing capacity in 24 h: 6 kg
  - 2 cold storage accumulators
  - Safety glass fittings
- Key features**
- Height-adjustable feet at front
  - Right hand hinge, reversible
  - Replaceable door seal
  - Dry rear wall and door panel in stainless steel with SmartSteel



**ICBNd 5163**  
Prime

Door-on-door / built-in appliance for integrated use	
Energy efficiency class:	<b>D</b>
Energy consumption per year / 24 h:	<b>208 / 0.569 kWh</b>
Total volume <sup>1</sup> :	<b>246 l</b>
Volume: Fridge: 104.1 l / BioFresh compartment: 71.2 l / Freezer compartment: 71 l	
Noise output / Sound power level:	<b>34 dB(A) / B, SuperSilent</b>
Climate rating:	<b>SN-ST (from +10 °C to +38 °C)</b>
Aperture dimensions in cm (h/w/d):	<b>177.2 - 178.8 / 56 - 57 / at least 55.0</b>

Bio Fresh	Duo Cooling	No Frost	Super Cool	Super Frost	Soft System	Soft-Telescopic Rails	Touch & Swipe-Display	Vario Space
Glass & Steel Interior	Light Tower	Ice Maker	Smart Device ready					

- Controls**
- 2.4" TFT-colour display, touch- & swipe-electronics
  - Digital temperature display for fridge, BioFresh and freezer compartments
  - SmartDeviceBox: as an optional accessory
  - Alarm in case of malfunction: visual and acoustic
  - Door alarm Fridge-freezer compartment: visual and acoustic
- Fridge and BioFresh compartment**
- PowerCooling with FreshAir active carbon filter
  - Premium GlassLine shelving with bottle holder, removable VarioBoxes, adjustable egg tray, butter dish
  - 3 GlassLine shelves, of which 1 divisible
  - Bottle shelf
  - LightTower
  - LED BioFresh lighting
  - 2 BioFresh-Safes with SoftTelescopic, 1 Fruit & Vegetable-Safe, 1 Meat & Dairy-Safe
- Freezer compartment** **\*\*\*\***
- 3 drawers, VarioSpace
  - IceMaker for plumbed-in connection 3/4"
  - Ice cube production in 24 h: 1.2 kg
  - Ice cube storage: 5 kg
  - LED lighting
  - Storage time in the event of power cut: 9 h
  - Freezing capacity in 24 h: 6 kg
  - 2 cold storage accumulators
  - Safety glass fittings
- Key features**
- Height-adjustable feet at front
  - Right hand hinge, reversible
  - Replaceable door seal
  - Dry rear wall in stainless steel with SmartSteel



**ICBNd 5153**  
Prime

Door-on-door / built-in appliance for integrated use	
Energy efficiency class:	<b>D</b>
Energy consumption per year / 24 h:	<b>207 / 0.567 kWh</b>
Total volume <sup>1</sup> :	<b>245 l</b>
Volume: Fridge: 104.1 l / BioFresh compartment: 71.2 l / Freezer compartment: 70 l	
Noise output / Sound power level:	<b>34 dB(A) / B, SuperSilent</b>
Climate rating:	<b>SN-ST (from +10 °C to +38 °C)</b>
Aperture dimensions in cm (h/w/d):	<b>177.2 - 178.8 / 56 - 57 / at least 55.0</b>

Bio Fresh	Duo Cooling	No Frost	Super Cool	Super Frost	Soft System	Soft-Telescopic Rails	Touch & Swipe-Display	Vario Space
Glass & Steel Interior	Light Tower	Smart Device ready						

- Controls**
- 2.4" TFT-colour display, touch- & swipe-electronics
  - Digital temperature display for fridge, BioFresh and freezer compartments
  - SmartDeviceBox: as an optional accessory
  - Alarm in case of malfunction: visual and acoustic
  - Door alarm Fridge-freezer compartment: visual and acoustic
- Fridge and BioFresh compartment**
- PowerCooling with FreshAir active carbon filter
  - Premium GlassLine shelving with bottle holder, removable VarioBoxes, adjustable egg tray, butter dish
  - 3 GlassLine shelves, of which 1 divisible
  - Bottle shelf
  - LightTower
  - LED BioFresh lighting
  - 2 BioFresh-Safes with SoftTelescopic, 1 Fruit & Vegetable-Safe, 1 Meat & Dairy-Safe
- Freezer compartment** **\*\*\*\***
- 3 drawers, VarioSpace
  - Ice cube tray with lid
  - LED lighting
  - Storage time in the event of power cut: 9 h
  - Freezing capacity in 24 h: 6 kg
  - 2 cold storage accumulators
  - Safety glass fittings
- Key features**
- Height-adjustable feet at front
  - Right hand hinge, reversible
  - Replaceable door seal
  - Dry rear wall in stainless steel with SmartSteel



**ICBNe 5123**  
Plus

Door-on-door / built-in appliance for integrated use	
Energy efficiency class:	<b>E</b>
Energy consumption per year / 24 h:	<b>259 / 0.709 kWh</b>
Total volume <sup>1</sup> :	<b>244 l</b>
Volume: Fridge: 103.3 l / BioFresh compartment: 70.9 l / Freezer compartment: 70 l	
Noise output / Sound power level:	<b>35 dB(A) / B, SuperSilent</b>
Climate rating:	<b>SN-ST (from +10 °C to +38 °C)</b>
Aperture dimensions in cm (h/w/d):	<b>177.2 - 178.8 / 56 - 57 / at least 55.0</b>

Bio Fresh	Duo Cooling	No Frost	Super Cool	Super Frost	Soft System	Touch-Display	Vario Space	Smart Device ready

- Controls**
- LC monochrome display, touch electronic
  - Digital temperature display for refrigerator and freezer compartment
  - SmartDeviceBox: as an optional accessory
  - Alarm in case of malfunction: visual and acoustic
  - Door alarm Fridge-freezer compartment: visual and acoustic
- Fridge and BioFresh compartment**
- PowerCooling with FreshAir active carbon filter
  - Plastic storage racks with bottle holder
  - 3 GlassLine shelves, of which 1 divisible
  - Bottle shelf
  - LED ceiling lighting
  - 2 BioFresh-Safes on telescopic rails, 1 Fruit & Vegetable-Safe, 1 Meat & Dairy-Safe
- Freezer compartment** **\*\*\*\***
- 3 drawers, VarioSpace
  - Ice cube tray
  - Storage time in the event of power cut: 9 h
  - Freezing capacity in 24 h: 6 kg
  - Safety glass fittings
- Key features**
- Height-adjustable feet at front
  - Right hand hinge, reversible
  - Replaceable door seal

## Combined refrigerator-freezer with BioFresh and SmartFrost for integrated use



### BioFresh with HydroBreeze

Do you want to cool fruit and vegetables like professionals? You'll be inspired by HydroBreeze. The cold mist combined with a temperature in the safe of just over 0 °C gives food that extra boost for longer shelf life. And it creates a genuine visual wow effect. HydroBreeze is activated every 90 minutes for 4 seconds and for 8 seconds when the door is opened.



### SmartFrost

Small and smart: SmartFrost technology significantly reduces frost build-up in the interior and on frozen food, and thus reduces the times you need to defrost your freezer, and its electricity consumption. Another advantage: The interior walls are particularly smooth and therefore easy to clean.

## Combined refrigerator-freezer with BioFresh and SmartFrost for integrated use



**ICBc 5182**  
Peak

Door-on-door / built-in appliance for integrated use	
Energy efficiency class:	<b>C</b> <small>A+ G</small>
Energy consumption per year / 24 h:	<b>145 / 0.397 kWh</b>
Total volume <sup>1</sup> :	<b>254 l</b>
Volume: Fridge: 131.6 l / BioFresh compartment: 68.1 l / Freezer compartment: 54 l	
Noise output / Sound power level:	<b>34 dB(A) / B, SuperSilent</b>
Climate rating:	<b>SN-T (from +10 °C to +43 °C)</b>
Aperture dimensions in cm (h/w/d):	<b>177.2 - 178.8 / 56 - 57 / at least 55.0</b>

Bio Fresh Professional	Hydro Breeze	Fish & Seafood	Duo Cooling	Smart Frost	Super Cool	Super Frost	Soft System	Soft-Telescopic Rails
Touch & Swipe-Display	Vario Space	Glass & Steel Interior	Light Tower	Smart Device ready				

- Controls**
- 2.4" TFT-colour display, touch- & swipe-electronics
  - Digital temperature display for fridge, BioFresh and freezer compartments
  - SmartDeviceBox: as an optional accessory
  - Alarm in case of malfunction: visual and acoustic
  - Door alarm Fridge-freezer compartment: visual and acoustic
- Freezer compartment** **\*\*\*\***
- 2 BioFresh-Safes with SoftTelescopic, 1 Fruit & Vegetable-Safe with HydroBreeze, 1 Fish & Seafood-Safe, 1 FlexSystem
  - 2 Schubfächer auf Teleskopauszügen. VarioSpace
  - Ice cube tray with lid
  - LED lighting
  - Storage time in the event of power cut: 9 h
  - Freezing capacity in 24 h: 4 kg
  - 2 cold storage accumulators
  - Safety glass fittings
- Key features**
- Height-adjustable feet at front
  - Right hand hinge, reversible
  - Replaceable door seal
  - Dry rear wall and door panel in stainless steel with SmartSteel



**ICBb 5152**  
Prime

Door-on-door / built-in appliance for integrated use	
Energy efficiency class:	<b>B</b> <small>A+ G</small>
Energy consumption per year / 24 h:	<b>116 / 0.317 kWh</b>
Total volume <sup>1</sup> :	<b>256 l</b>
Volume: Fridge: 131.0 l / BioFresh compartment: 71.2 l / Freezer compartment: 54 l	
Noise output / Sound power level:	<b>33 dB(A) / B, SuperSilent</b>
Climate rating:	<b>SN-T (from +10 °C to +43 °C)</b>
Aperture dimensions in cm (h/w/d):	<b>177.2 - 178.8 / 56 - 57 / at least 55.0</b>

Bio Fresh	Duo Cooling	Smart Frost	Super Cool	Super Frost	Soft System	Soft-Telescopic Rails	Touch & Swipe-Display	Vario Space
Glass & Steel Interior	Light Tower	Smart Device ready						

- Controls**
- 2.4" TFT-colour display, touch- & swipe-electronics
  - Digital temperature display for fridge, BioFresh and freezer compartments
  - SmartDeviceBox: as an optional accessory
  - Alarm in case of malfunction: visual and acoustic
  - Door alarm Fridge-freezer compartment: visual and acoustic
- Freezer compartment** **\*\*\*\***
- 2 drawers, VarioSpace
  - Ice cube tray with lid
  - LED lighting
  - Storage time in the event of power cut: 9 h
  - Freezing capacity in 24 h: 4 kg
  - 2 cold storage accumulators
  - Safety glass fittings
- Key features**
- Height-adjustable feet at front
  - Right hand hinge, reversible
  - Replaceable door seal
  - Dry rear wall in stainless steel with SmartSteel
- Fridge and BioFresh compartment**
- PowerCooling with FreshAir active carbon filter
  - Premium GlassLine shelving with bottle holder, removable VarioBoxes, adjustable egg tray, butter dish
  - 4 GlassLine shelves, of which 1 divisible
  - VarioSafe
  - Bottle shelf
  - LightTower
  - LED BioFresh lighting
  - 2 BioFresh-Safes with SoftTelescopic, 1 Fruit & Vegetable-Safe, 1 Meat & Dairy-Safe



**ICBdi 5122**  
Plus

Door-on-door / built-in appliance for integrated use	
Energy efficiency class:	<b>D</b> <small>A+ G</small>
Energy consumption per year / 24 h:	<b>182 / 0.498 kWh</b>
Total volume <sup>1</sup> :	<b>255 l</b>
Volume: Fridge: 130.0 l / BioFresh compartment: 70.9 l / Freezer compartment: 54 l	
Noise output / Sound power level:	<b>34 dB(A) / B, SuperSilent</b>
Climate rating:	<b>SN-T (from +10 °C to +43 °C)</b>
Aperture dimensions in cm (h/w/d):	<b>177.2 - 178.8 / 56 - 57 / at least 55.0</b>

Bio Fresh	Duo Cooling	Smart Frost	Super Cool	Super Frost	Soft System	Touch-Display	Vario Space	Smart Device

- Controls**
- LC monochrome display, touch electronic
  - Digital temperature display for refrigerator and freezer compartment
  - SmartDeviceBox included
  - Alarm in case of malfunction: visual and acoustic
  - Door alarm Fridge-freezer compartment: visual and acoustic
- Freezer compartment** **\*\*\*\***
- 2 drawers, VarioSpace
  - Ice cube tray
  - Storage time in the event of power cut: 9 h
  - Freezing capacity in 24 h: 4 kg
  - Safety glass fittings
- Key features**
- Height-adjustable feet at front
  - Right hand hinge, reversible
  - Replaceable door seal
- Fridge and BioFresh compartment**
- PowerCooling with FreshAir active carbon filter
  - Plastic storage racks with bottle holder
  - 4 GlassLine shelves, of which 1 divisible
  - Bottle shelf
  - LED ceiling lighting
  - 2 BioFresh-Safes on telescopic rails, 1 Fruit & Vegetable-Safe, 1 Meat & Dairy-Safe

You can find the full range of efficiency classes on page 13. According to (EU) 2017/1369 6a.

<sup>1</sup> In accordance with Regulation EU 2019/2016 we indicate the total volume to the nearest integer (rounded off) and the volume of the frozen compartments and refrigeration compartments to one place after the decimal point.

Combined refrigerator-freezer with EasyFresh and NoFrost for integrated use



**ICNdi 5173**  
Peak

Door-on-door / built-in appliance for integrated use	
Energy efficiency class:	<b>D</b> <small>A G</small>
Energy consumption per year / 24 h:	<b>183 / 0.501 kWh</b>
Total volume <sup>1</sup> :	<b>255 l</b>
Volume:	<b>Fridge: 184.4 l / Freezer compartment: 71 l</b>
Noise output / Sound power level:	<b>34 dB(A) / B, SuperSilent</b>
Climate rating:	<b>SN-T (from +10 °C to +43 °C)</b>
Aperture dimensions in cm (h/w/d):	<b>177.2 - 178.8 / 56 - 57 / at least 55.0</b>

Easy Fresh	Duo Cooling	No Frost	Super Cool	Super Frost	Soft System	Touch & Swipe-Display	VarioSpace	Glass & Steel Interior
Light Tower	Ice Maker	Smart Device						

**Controls**

- 2.4" TFT-colour display, touch- & swipe-electronics
- Digital temperature display for refrigerator and freezer compartment
- SmartDeviceBox included
- Alarm in case of malfunction: visual and acoustic
- Door alarm Fridge-freezer compartment: visual and acoustic

**Fridge compartment**

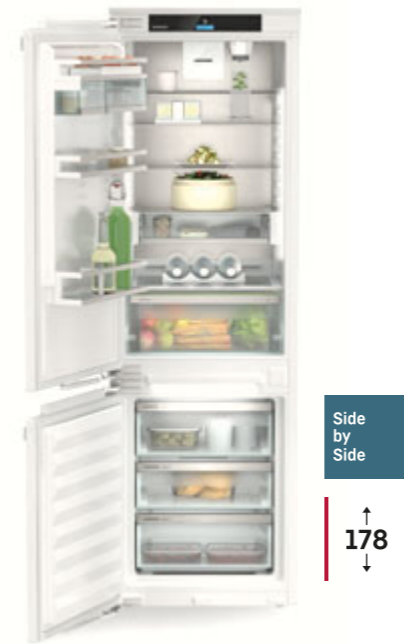
- PowerCooling with Ambilight and FreshAir active carbon filter
- Premium GlassLine shelving with bottle holder, removable VarioBoxes, adjustable egg tray, butter dish
- 5 GlassLine shelves, of which 1 divisible
- VarioSafe
- 3 bottle shelf
- LightTower
- 1 EasyFresh-Safe on running rails

**Freezer compartment** **\*\*\*\***

- 3 drawers, of which 2 on telescopic rails, VarioSpace
- IceMaker for plumbed-in connection 3/4"
- Ice cube production in 24 h: 1.2 kg
- Ice cube storage: 5 kg
- LED lighting
- Storage time in the event of power cut: 9 h
- Freezing capacity in 24 h: 6 kg
- 2 cold storage accumulators
- Safety glass fittings
- Freezer tray

**Key features**

- Height-adjustable feet at front
- Reversible door hinging
- Replaceable door seal
- Dry rear wall and door panel in stainless steel with SmartSteel



**SICNd 5153**  
Prime

Door-on-door / built-in appliance for integrated use	
Energy efficiency class:	<b>D</b> <small>A G</small>
Energy consumption per year / 24 h:	<b>181 / 0.495 kWh</b>
Total volume <sup>1</sup> :	<b>254 l</b>
Volume:	<b>Fridge: 184.4 l / Freezer compartment: 70 l</b>
Noise output / Sound power level:	<b>34 dB(A) / B, SuperSilent</b>
Climate rating:	<b>SN-T (from +10 °C to +43 °C)</b>
Aperture dimensions in cm (h/w/d):	<b>177.2 - 178.8 / 56 - 57 / at least 55.0</b>

Easy Fresh	Duo Cooling	No Frost	Super Cool	Super Frost	Soft System	Touch & Swipe-Display	VarioSpace	Glass & Steel Interior
Light Tower	Smart Device ready							

**Controls**

- 2.4" TFT-colour display, touch- & swipe-electronics
- Digital temperature display for refrigerator and freezer compartment
- SmartDeviceBox: as an optional accessory
- Alarm in case of malfunction: visual and acoustic
- Door alarm Fridge-freezer compartment: visual and acoustic

**Fridge compartment**

- PowerCooling with FreshAir active carbon filter
- Premium GlassLine shelving with bottle holder, removable VarioBoxes, adjustable egg tray, butter dish
- 5 GlassLine shelves, of which 1 divisible
- VarioSafe
- 3 bottle shelf
- LightTower
- 1 EasyFresh-Safe on running rails

**Freezer compartment** **\*\*\*\***

- 3 drawers, VarioSpace
- Ice cube tray with lid
- LED lighting
- Storage time in the event of power cut: 9 h
- Freezing capacity in 24 h: 6 kg
- 2 cold storage accumulators
- Safety glass fittings

**Key features**

- Side-panel heating on both sides, suitable for combination with other fridges, freezers and/or wine appliances
- Height-adjustable feet at front
- Left hand hinge, reversible
- Replaceable door seal
- Dry rear wall in stainless steel with SmartSteel

**ICNdi 5153**

SmartDeviceBox included and without side walls heated on both sides



**ICNe 5133**  
Plus

Door-on-door / built-in appliance for integrated use	
Energy efficiency class:	<b>E</b> <small>A G</small>
Energy consumption per year / 24 h:	<b>228 / 0.624 kWh</b>
Total volume <sup>1</sup> :	<b>254 l</b>
Volume:	<b>Fridge: 183.3 l / Freezer compartment: 71 l</b>
Noise output / Sound power level:	<b>34 dB(A) / B, SuperSilent</b>
Climate rating:	<b>SN-T (from +10 °C to +43 °C)</b>
Aperture dimensions in cm (h/w/d):	<b>177.2 - 178.8 / 56 - 57 / at least 55.0</b>

Easy Fresh	Duo Cooling	No Frost	Super Cool	Super Frost	Soft System	Touch-Display	VarioSpace	Ice Maker Water tank
Smart Device ready								

**Controls**

- LC monochrome display, touch electronic
- Digital temperature display for refrigerator and freezer compartment
- SmartDeviceBox: as an optional accessory
- Alarm in case of malfunction: visual and acoustic
- Door alarm Fridge-freezer compartment: visual and acoustic

**Fridge compartment**

- PowerCooling with FreshAir active carbon filter
- Plastic storage racks with bottle holder, egg tray
- 3 GlassLine shelves, of which 1 divisible
- VarioSafe
- 3 bottle shelf
- LED ceiling lighting
- 1 EasyFresh-Safe

**Freezer compartment** **\*\*\*\***

- 3 drawers, VarioSpace
- IceMaker with water tank
- Ice cube production in 24 h: 1.2 kg
- Ice cube storage: 5 kg
- Storage time in the event of power cut: 9 h
- Freezing capacity in 24 h: 6 kg
- Safety glass fittings

**Key features**

- Height-adjustable feet at front
- Reversible door hinging
- Replaceable door seal

Combined refrigerator-freezer with EasyFresh and NoFrost for integrated use



**Space for baking tray**

Do you want to keep that home-baked fruit pie fresh? Or maybe a prepared pizza to be baked later on? If so, simply slide your baking tray into your Liebherr – it has plenty of space for storing a baking tray. Really convenient – you can slide the baking tray in and out when the door is opened at 90°.



**IceMaker with water tank**

Whether it's for a party or a spontaneous cocktail, the integrated IceMaker means you always have enough ice cubes in stock. With the IceMaker with water tank, you simply fill the removable water tank with water. The MaxIce function allows you to produce up to 1.5 kg of ice cubes a day. The ice compartment separator helps to divide the drawer as you wish, for example, ice cubes on the left, ice cream on the right.

<sup>1</sup> In accordance with Regulation EU 2019/2016 we indicate the total volume to the nearest integer (rounded off) and the volume of the frozen compartments and refrigeration compartments to one place after the decimal point. You can find the full range of efficiency classes on page 13. According to (EU) 2017/1369 6a.

Combined refrigerator-freezer with EasyFresh and NoFrost for integrated use



EasyFresh

The guarantee of market freshness in the home is our EasyFreshSafe. Whether it's unpackaged vegetables or fruit, this ensures optimal storage for everything. Thanks to the air-tight closure, the food causes the humidity in the safe to rise. This keeps the food fresher for longer.



NoFrost

When you open your freezer, you want to see frozen food – and certainly not ice and frost. NoFrost protects the freezer compartment from unwanted icing, which consumes a lot of energy and can be expensive. NoFrost means no more tedious and time-consuming defrosting of the freezer compartment, more time for other things – and saving money.

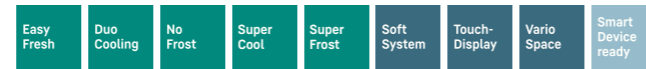
Combined refrigerator-freezer with EasyFresh and NoFrost for integrated use



↑  
178  
↓

**ICNd 5123**  
Plus

Door-on-door / built-in appliance for integrated use	
Energy efficiency class:	D <small>A 1 G</small>
Energy consumption per year / 24 h:	181 / 0.495 kWh
Total volume <sup>1</sup> :	253 l
Volume:	Fridge: 183.3 l / Freezer compartment: 70 l
Noise output / Sound power level:	34 dB(A) / B, SuperSilent
Climate rating:	SN-T (from +10 °C to +43 °C)
Aperture dimensions in cm (h/w/d):	177.2 - 178.8 / 56 - 57 / at least 55.0



**Controls**

- LC monochrome display, touch electronic
- Digital temperature display for refrigerator and freezer compartment
- SmartDeviceBox: as an optional accessory
- Alarm in case of malfunction: visual and acoustic
- Door alarm Fridge-freezer compartment: visual and acoustic

**Fridge compartment**

- PowerCooling with FreshAir active carbon filter
- Plastic storage racks with bottle holder, egg tray
- 5 GlassLine shelves, of which 1 divisible
- VarioSafe
- 3 bottle shelf
- LED ceiling lighting
- 1 EasyFresh-Safe on running rails

**Freezer compartment** \*\*\*\*

- 3 drawers, VarioSpace
- Ice cube tray
- Storage time in the event of power cut: 9 h
- Freezing capacity in 24 h: 6 kg
- Safety glass fittings

**Key features**

- Height-adjustable feet at front
- Reversible door hinging
- Replaceable door seal



↑  
178  
↓

**ICNf 5103**  
Pure

Door-on-door / built-in appliance for integrated use	
Energy efficiency class:	F <small>A 1 G</small>
Energy consumption per year / 24 h:	284 / 0.778 kWh
Total volume <sup>1</sup> :	253 l
Volume:	Fridge: 183.3 l / Freezer compartment: 70 l
Noise output / Sound power level:	35 dB(A) / B, SuperSilent
Climate rating:	SN-ST (from +10 °C to +38 °C)
Aperture dimensions in cm (h/w/d):	177.2 - 178.8 / 56 - 57 / at least 55.0



**Controls**

- LC monochrome display, touch electronic
- Digital temperature display for refrigerator and freezer compartment
- SmartDeviceBox: as an optional accessory
- Alarm in case of malfunction: visual and acoustic
- Door alarm Fridge-freezer compartment: visual and acoustic

**Fridge compartment**

- PowerCooling with FreshAir active carbon filter
- Plastic storage racks with bottle holder, egg tray
- 4 GlassLine shelves
- LED ceiling lighting
- 1 EasyFresh-Safe on running rails

**Freezer compartment** \*\*\*\*

- 3 drawers, VarioSpace
- Storage time in the event of power cut: 9 h
- Freezing capacity in 24 h: 5 kg
- Safety glass fittings

**Key features**

- Height-adjustable feet at front
- Reversible door hinging
- Replaceable door seal



↑  
178  
↓

**ICNSf 5103**  
Pure

Sliding door / built-in appliance for integrated use	
Energy efficiency class:	F <small>A 1 G</small>
Energy consumption per year / 24 h:	284 / 0.778 kWh
Total volume <sup>1</sup> :	253 l
Volume:	Fridge: 183.3 l / Freezer compartment: 70 l
Noise output / Sound power level:	35 dB(A) / B, SuperSilent
Climate rating:	SN-ST (from +10 °C to +38 °C)
Aperture dimensions in cm (h/w/d):	177.2 - 178.8 / 56 - 57 / at least 55.0



**Controls**

- LC monochrome display, touch electronic
- Digital temperature display for refrigerator and freezer compartment
- SmartDeviceBox: as an optional accessory
- Alarm in case of malfunction: visual and acoustic
- Door alarm Fridge-freezer compartment: visual and acoustic

**Fridge compartment**

- PowerCooling with FreshAir active carbon filter
- Plastic storage racks with bottle holder, egg tray
- 4 GlassLine shelves
- LED ceiling lighting
- 1 EasyFresh-Safe on running rails

**Freezer compartment** \*\*\*\*

- 3 drawers, VarioSpace
- Storage time in the event of power cut: 9 h
- Freezing capacity in 24 h: 5 kg
- Safety glass fittings

**Key features**

- Height-adjustable feet at front
- Reversible door hinging
- Replaceable door seal

<sup>1</sup> In accordance with Regulation EU 2019/2016 we indicate the total volume to the nearest integer (rounded off) and the volume of the frozen compartments and refrigeration compartments to one place after the decimal point.

You can find the full range of efficiency classes on page 13. According to (EU) 2017/1369 6a.

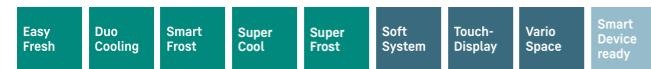


↑  
178  
↓

**ICd 5123**  
Plus

Door-on-door / built-in appliance for integrated use

Energy efficiency class:	<b>D</b> <small>A G</small>
Energy consumption per year / 24 h:	<b>183 / 0.501 kWh</b>
Total volume <sup>1</sup> :	<b>264 l</b>
Volume:	<b>Fridge: 183.3 l / Freezer compartment: 81 l</b>
Noise output / Sound power level:	<b>33 dB(A) / B, SuperSilent</b>
Climate rating:	<b>SN-T (from +10 °C to +43 °C)</b>
Aperture dimensions in cm (h/w/d):	<b>177.2 - 178.8 / 56 - 57 / at least 55.0</b>



**Controls**

- LC monochrome display, touch electronic
- Digital temperature display for refrigerator and freezer compartment
- SmartDeviceBox: as an optional accessory
- Alarm in case of malfunction: visual and acoustic
- Door alarm Fridge-freezer compartment: visual and acoustic

**Freezer compartment** **\*\*\*\***

- 3 drawers, VarioSpace
- Ice cube tray
- Storage time in the event of power cut: 11 h
- Freezing capacity in 24 h: 6 kg
- Safety glass fittings

**Key features**

- Height-adjustable feet at front
- Right hand hinge, reversible
- Replaceable door seal

**Fridge compartment**

- PowerCooling with FreshAir active carbon filter
- Plastic storage racks with bottle holder
- 5 GlassLine shelves, of which 1 divisible
- VarioSafe
- 3 bottle shelf
- LED ceiling lighting
- 1 EasyFresh-Safe on running rails



↑  
178  
↓

**ICSe 5122**  
Plus

Sliding door / built-in appliance for integrated use

Energy efficiency class:	<b>E</b> <small>A G</small>
Energy consumption per year / 24 h:	<b>199 / 0.545 kWh</b>
Total volume <sup>1</sup> :	<b>266 l</b>
Volume:	<b>Fridge: 211.7 l / Freezer compartment: 54 l</b>
Noise output / Sound power level:	<b>35 dB(A) / B, SuperSilent</b>
Climate rating:	<b>SN-ST (from +10 °C to +38 °C)</b>
Aperture dimensions in cm (h/w/d):	<b>177.2 - 178.8 / 56 - 57 / at least 55.0</b>



**Controls**

- LC monochrome display, touch electronic
- Digital temperature display for refrigerator and freezer compartment
- SmartDeviceBox: as an optional accessory
- Alarm in case of malfunction: visual and acoustic
- Door alarm Fridge-freezer compartment: visual and acoustic

**Freezer compartment** **\*\*\*\***

- 2 drawers, VarioSpace
- Ice cube tray
- Storage time in the event of power cut: 9 h
- Freezing capacity in 24 h: 4 kg
- Safety glass fittings

**Key features**

- Height-adjustable feet at front
- Replaceable door seal
- Right hand hinge, reversible

**Fridge compartment**

- PowerCooling with FreshAir active carbon filter
- Plastic storage racks with bottle holder
- 6 GlassLine shelves, of which 1 divisible
- VarioSafe
- 3 bottle shelf
- LED ceiling lighting
- 1 EasyFresh-Safe on running rails



↑  
178  
↓

**ICe 5103**  
Pure

Door-on-door / built-in appliance for integrated use

Energy efficiency class:	<b>E</b> <small>A G</small>
Energy consumption per year / 24 h:	<b>228 / 0.624 kWh</b>
Total volume <sup>1</sup> :	<b>264 l</b>
Volume:	<b>Fridge: 183.3 l / Freezer compartment: 81 l</b>
Noise output / Sound power level:	<b>35 dB(A) / B, SuperSilent</b>
Climate rating:	<b>SN-T (from +10 °C to +43 °C)</b>
Aperture dimensions in cm (h/w/d):	<b>177.2 - 178.8 / 56 - 57 / at least 55.0</b>



**Controls**

- LC monochrome display, touch electronic
- Digital temperature display for refrigerator and freezer compartment
- SmartDeviceBox: as an optional accessory
- Alarm in case of malfunction: visual and acoustic
- Door alarm Fridge-freezer compartment: visual and acoustic

**Freezer compartment** **\*\*\*\***

- 3 drawers, VarioSpace
- Storage time in the event of power cut: 11 h
- Freezing capacity in 24 h: 6 kg
- Safety glass fittings

**Key features**

- Height-adjustable feet at front
- Right hand hinge, reversible
- Replaceable door seal

**Fridge compartment**

- PowerCooling with FreshAir active carbon filter
- Plastic storage racks with bottle holder
- 4 GlassLine shelves
- LED ceiling lighting
- 1 EasyFresh-Safe on running rails



↑  
178  
↓

**ICSe 5103**  
Pure

Sliding door / built-in appliance for integrated use

Energy efficiency class:	<b>E</b> <small>A G</small>
Energy consumption per year / 24 h:	<b>228 / 0.624 kWh</b>
Total volume <sup>1</sup> :	<b>264 l</b>
Volume:	<b>Fridge: 183.3 l / Freezer compartment: 81 l</b>
Noise output / Sound power level:	<b>35 dB(A) / B, SuperSilent</b>
Climate rating:	<b>SN-T (from +10 °C to +43 °C)</b>
Aperture dimensions in cm (h/w/d):	<b>177.2 - 178.8 / 56 - 57 / at least 55.0</b>



**Controls**

- LC monochrome display, touch electronic
- Digital temperature display for refrigerator and freezer compartment
- SmartDeviceBox: as an optional accessory
- Alarm in case of malfunction: visual and acoustic
- Door alarm Fridge-freezer compartment: visual and acoustic

**Freezer compartment** **\*\*\*\***

- 3 drawers, VarioSpace
- Storage time in the event of power cut: 11 h
- Freezing capacity in 24 h: 6 kg
- Safety glass fittings

**Key features**

- Height-adjustable feet at front
- Right hand hinge, reversible
- Replaceable door seal

**Fridge compartment**

- PowerCooling with FreshAir active carbon filter
- Plastic storage racks with bottle holder
- 4 GlassLine shelves
- LED ceiling lighting
- 1 EasyFresh-Safe on running rails



---

# Fridges

---



# Fridges



○ Pure Series



◇ Plus Series



◻ Prime Series



△ Peak Series

	○ Pure Series	◇ Plus Series	◻ Prime Series	△ Peak Series
<b>Freshness technology</b>	EasyFresh	EasyFresh	EasyFresh on telescopic rails	
		BioFresh on telescopic rails	BioFresh with SoftTelescopic	BioFresh Professional with SoftTelescopic
	FreshAir filter	FreshAir filter	FreshAir filter	FreshAir filter
<b>Comfort &amp; flexibility</b>		Divisible glass shelf	Divisible glass shelf	Divisible glass shelf
		SoftSystem soft stop mechanism	SoftSystem soft stop mechanism	SoftSystem soft stop mechanism
		VarioSafe	VarioSafe	VarioSafe
			VarioBoxes	VarioBoxes
			Butter dish	Butter dish
		Egg tray	Egg tray	2in1 egg tray
			2in1 egg tray	2in1 egg tray
		Bottle shelf	Bottle shelf	Bottle shelf
			Ice cube tray	Ice cube tray with lid
				FlexSystem
<b>Design</b>	Top or side fridge compartment lighting	Top or side fridge compartment lighting	LightTower	LightTower
			Lighting BioFresh safe	Lighting BioFresh safe
				Fan lighting
			SmartSteel rear wall	SmartSteel rear wall
				SmartSteel door interior
		Transparent glass	Transparent glass	Satin finish glass
		Stainless steel look shelves	Stainless steel look shelves	Glass & stainless steel rack
		Touch display	Touch display	Glass & stainless steel rack shelves
			Touch & Swipe display	Touch & Swipe display
<b>Connectivity (SmartDeviceBox)</b>	Can be retrofitted	Can be retrofitted or is included with "i" models	Can be retrofitted or is included with "i" models	Can be retrofitted or is included with "i" models
<b>Water</b>				InfinitySpring

## Quality down to the finest detail



### BioFresh

At a temperature of just over 0 °C and with the ideal humidity, fresh food can keep its appetising appearance and retain healthy vitamins and minerals for considerably longer than in a normal fridge compartment.



### EasyFresh

The guarantee of market freshness in the home is our EasyFreshSafe. Whether it's unpackaged vegetables or fruit, this ensures optimal storage for everything. Thanks to the air-tight closure, the food causes the humidity in the safe to rise. This keeps the food fresher for longer.



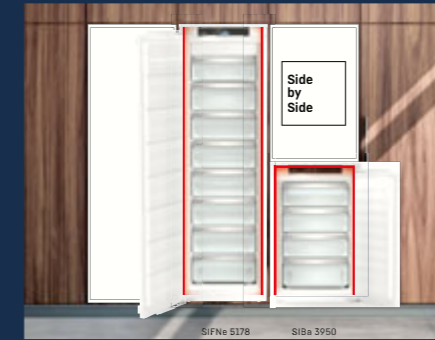
### LED

For a quick overview of everything in the refrigerator: the LED side lighting helps you to keep your food in view. The LEDs are positioned so that the light beams go up and down. And the LEDs integrated flush into the side walls mean that the valuable usable area is fully maintained.



### InfinitySpring

A source of fresh, cool drinking water in your kitchen. InfinitySpring sounds like something from a fairy tale. The water dispenser enables drip-free water dispensing and provides fresh, cold water. Simply press the panel with the carafe or glass, and enjoy the water. This enables you to save on purchasing bottles of water and to live more sustainably.



### Side-by-Side concept

Combine your Liebherr appliance with complete flexibility to suit your personal freshness needs. All models labelled side-by-side, can be vertically and/or horizontally combined to form your individual freshness centre, providing perfect solutions to all your storage needs. More information see pages 32-35



### Versatile bottle shelf

Expecting guests and want to chill a few more drinks than usual? The bottle shelf above the BioFresh safes exists for this very reason. Simply remove the glass shelf above the bottle shelf in one easy step – and you can now safely store and cool bottles of various sizes.



### VarioBoxes

Where did I put that little packet of yeast? And where's the tube of mustard? To easily find the small items in the fridge, there are the VarioBoxes. They keep everything clearly arranged and organised in the inside door. Their transparent design means you immediately see what's inside. The boxes are easy to remove – and thanks to the pull-out stop, nothing will fall to the floor - guaranteed.



### PowerCooling

Do you want to be sure that the cold is distributed as evenly as possible in your refrigerator? If so, the PowerCooling system is what you need. The fan – as powerful as it is quiet – distributes the cold air efficiently throughout the entire refrigeration compartment.



### Freezer compartment

Do you want to avoid spending time changing the door hinge of the freezer compartment when installing your Liebherr in the furniture niche? The slider control means this can be done in seconds and without any manual skills. Simply slide the slider on the freezer compartment from right to left – that's it, done! This saves you a lot of time.



### SoftTelescopic

Look forward to opening your BioFresh safes. And this is not just because of the fresh food – but also because opening is so easy, and closing is cushioned. The telescopic rails slide the safe gently towards you. And because these extend fully, you have the best overview of the contents.



### FlexSystem

Small and delicate fruit in the refrigerator can easily roll out of sight or become crushed. That's why your Liebherr comes with the FlexSystem. Two flexibly positionable boxes in the BioFresh safe ensure everything is clearly arranged and organised. And they also safely protect even the smallest raspberry from bruising or from being mixed up with other foods.



### Versatile egg tray

Do you like chicken eggs? So does your Liebherr – that's why it has the 2in1 egg tray. This not only provides space for up to 20 chicken eggs, but also for up to 24 quail eggs. The egg tray consists of an outer and an inner part which can be slid into each other in different ways. By turning the tray over, the quail egg holes can be used.



IRBAd 5171 Δ Peak Series



### AutoDoor

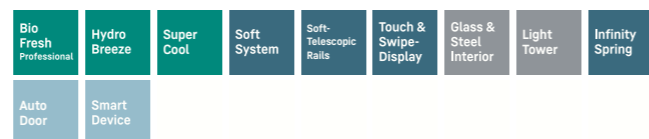
Hands-free option with Liebherr: Thanks to AutoDoor, you can open your Liebherr with a knocking signal or voice command. This makes the Liebherr the world's first refrigerator which can be opened and closed fully automatically – perfection in the hands-free kitchen. You can individually select the opening angle and the duration until closing. And if need be, you can also open and close it just as easily by hand or using your smartphone.



### IRBAd 5190 (AutoDoor)

Peak

Door-on-door / built-in appliance for integrated use	
Energy efficiency class:	D <sup>A</sup> / <sub>G</sub>
Energy consumption per year / 24 h:	125 / 0.342 kWh
Total volume <sup>1</sup> :	296 l
Volume:	Fridge: 198.1 l / BioFresh compartment: 97.9 l
Noise output / Sound power level:	32 dB(A) / B, SuperSilent
Climate rating:	SN-T (from +10 °C to +43 °C)
Aperture dimensions in cm (h/w/d):	177.2 - 178.8 / 56 - 57 / at least 55.0



#### Controls

- 2.4" TFT-colour display, touch- & swipe-electronics
- Digital temperature display for refrigerator and BioFresh compartment
- SmartDeviceBox included
- Alarm in case of malfunction: visual and acoustic
- Door alarm fridge compartment: visual and acoustic

- LED BioFresh lighting
- 3 BioFresh-Safes with SoftTelescopic, 2 Fruit & Vegetable-Safes, of which 1 with HydroBreeze, 1 Meat & Dairy-Safe, 1 FlexSystem
- InfinitySpring with fixed water connection 3/4"

#### Key features

- Height-adjustable feet at front
- Choose from right hand hinge or left hand hinge
- Replaceable door seal
- Dry rear wall and door panel in stainless steel with SmartSteel

#### Fridge and BioFresh compartment

- PowerCooling with Ambilight and FreshAir active carbon filter
- Premium GlassLine shelving with bottle holder, removable VarioBoxes, adjustable egg tray, butter dish
- 6 GlassLine shelves, of which 1 divisible
- VarioSafe
- Bottle shelf
- LightTower

Choose from left (617) or right (001) hand hinge, fixed. Must be chosen at the point of sale, or completed by Liebherr trained and approved service agents.

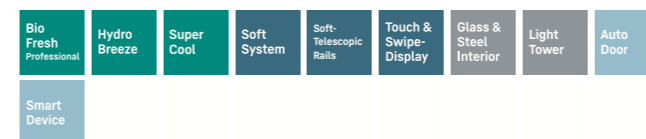
<sup>1</sup> In accordance with Regulation EU 2019/2016 we indicate the total volume to the nearest integer (rounded off) and the volume of the frozen compartments and refrigeration compartments to one place after the decimal point.



### IRBAd 5171 (AutoDoor)

Peak

Door-on-door / built-in appliance for integrated use	
Energy efficiency class:	D <sup>A</sup> / <sub>G</sub>
Energy consumption per year / 24 h:	164 / 0.449 kWh
Total volume <sup>1</sup> :	276 l
Volume:	Fridge: 151.6 l / BioFresh compartment: 97.9 l / Freezer compartment: 27 l
Noise output / Sound power level:	34 dB(A) / B, SuperSilent
Climate rating:	SN-T (from +10 °C to +43 °C)
Aperture dimensions in cm (h/w/d):	177.2 - 178.8 / 56 - 57 / at least 55.0



#### Controls

- 2.4" TFT-colour display, touch- & swipe-electronics
- Digital temperature display for refrigerator and BioFresh compartment
- SmartDeviceBox included
- Alarm in case of malfunction: visual and acoustic
- Door alarm fridge compartment: visual and acoustic

- 3 BioFresh-Safes with SoftTelescopic, 2 Fruit & Vegetable-Safes, of which 1 with HydroBreeze, 1 Meat & Dairy-Safe, 1 FlexSystem

#### Freezer compartment \*\*\*\*

- 4-star compartment, reversible door hinging
- Ice cube tray with lid
- Storage time in the event of power cut: 14 h
- Freezing capacity in 24 h: 2 kg

#### Key features

- Height-adjustable feet at front
- Choose from right hand hinge or left hand hinge
- Replaceable door seal
- Dry rear wall and door panel in stainless steel with SmartSteel

#### Fridge and BioFresh compartment

- PowerCooling with Ambilight and FreshAir active carbon filter
- Premium GlassLine shelving with bottle holder, removable VarioBoxes, adjustable egg tray, butter dish
- 4 GlassLine shelves, of which 1 divisible
- VarioSafe
- Bottle shelf
- LightTower
- LED BioFresh lighting

Choose from left (617) or right (001) hand hinge, fixed. Must be chosen at the point of sale, or completed by Liebherr trained and approved service agents.

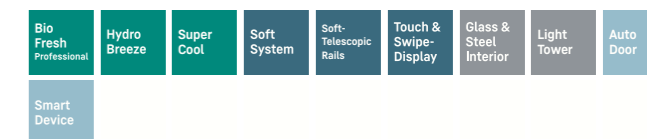
You can find the full range of efficiency classes on page 13. According to (EU) 2017/1369 6a.



### IRBAd 4170 (AutoDoor)

Peak

Door-on-door / built-in appliance for integrated use	
Energy efficiency class:	D <sup>A</sup> / <sub>G</sub>
Energy consumption per year / 24 h:	114 / 0.312 kWh
Total volume <sup>1</sup> :	190 l
Volume:	Fridge: 124.2 l / BioFresh compartment: 66.6 l
Noise output / Sound power level:	33 dB(A) / B, SuperSilent
Climate rating:	SN-T (from +10 °C to +43 °C)
Aperture dimensions in cm (h/w/d):	121.6 - 122.6 / 56 - 57 / at least 55.0



#### Controls

- 2.4" TFT-colour display, touch- & swipe-electronics
- Digital temperature display for refrigerator and BioFresh compartment
- SmartDeviceBox included
- Alarm in case of malfunction: visual and acoustic
- Door alarm fridge compartment: visual and acoustic

- 2 BioFresh-Safes with SoftTelescopic, 1 Fruit & Vegetable-Safe with HydroBreeze, 1 Meat & Dairy-Safe, 1 FlexSystem

#### Key features

- Height-adjustable feet at front
- Choose from right hand hinge or left hand hinge
- Replaceable door seal
- Dry rear wall and door panel in stainless steel with SmartSteel

#### Fridge and BioFresh compartment

- PowerCooling with Ambilight and FreshAir active carbon filter
- Premium GlassLine shelving with bottle holder, removable VarioBoxes, adjustable egg tray, butter dish
- 3 GlassLine shelves, of which 1 divisible
- VarioSafe
- Bottle shelf
- LightTower
- LED BioFresh lighting

Choose from left (617) or right (001) hand hinge, fixed. Must be chosen at the point of sale, or completed by Liebherr trained and approved service agents.



IRBPdi 5170 Δ Peak Series

OpenStage

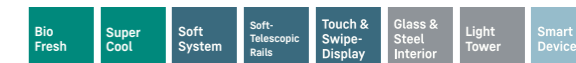


↑  
178  
↓

## IRBPdi 5170 (OpenStage) Peak

Door-on-door / built-in appliance for integrated use

Energy efficiency class:	<b>D</b> <small>A G</small>
Energy consumption per year / 24 h:	<b>125 / 0.342 kWh</b>
Total volume <sup>1</sup> :	<b>297 l</b>
Volume:	<b>Fridge: 199.0 l / BioFresh compartment: 98.4 l</b>
Noise output / Sound power level:	<b>33 dB(A) / B, SuperSilent</b>
Climate rating:	<b>SN-T (from +10 °C to +43 °C)</b>
Aperture dimensions in cm (h/w/d):	<b>177.2 - 178.8 / 56 - 57 / at least 55.0</b>



### OpenStage drawers

Inspired by refrigerated display cases in fine delicatessens, the OpenStage concept elegantly showcases your food. Thanks to the transparent glass drawers you can have everything perfectly displayed. The different heights make it easy to store food of different sizes. In the bottom OpenStage drawer, practical dividers ensure bottles are held securely in place.

### PowerCooling system

Do you want to be sure that the cold is distributed as evenly as possible in your refrigerator? If so, the PowerCooling system is what you need. The fan – as powerful as it is quiet – distributes the cold air efficiently throughout the entire refrigeration compartment.

### Controls

- 2.4" TFT-colour display, touch- & swipe-electronics
- Digital temperature display for refrigerator and BioFresh compartment
- SmartDeviceBox included
- Alarm in case of malfunction: visual and acoustic
- Door alarm fridge compartment: visual and acoustic

### Fridge and BioFresh compartment

- PowerCooling with Ambilight and FreshAir active carbon filter
- Variable egg tray, butter dish
- 5 GlassLine drawers on fully extendible telescopic rails with SoftTelescopic
- Bottle shelf
- LightTower
- LED BioFresh lighting
- 3 BioFresh-Safes with SoftTelescopic, 2 Fruit & Vegetable-Safes, 1 Meat & Dairy-Safe, 1 FlexSystem

### Key features

- Height-adjustable feet at front
- Right hand hinge, reversible
- Replaceable door seal
- Dry rear wall and door panel in stainless steel with SmartSteel

<sup>1</sup> In accordance with Regulation EU 2019/2016 we indicate the total volume to the nearest integer (rounded off) and the volume of the frozen compartments and refrigeration compartments to one place after the decimal point. You can find the full range of efficiency classes on page 13. According to (EU) 2017/1369 6a.

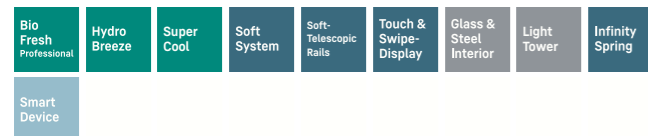
## Refrigerators with BioFresh Professional for integrated use

## Refrigerator with BioFresh for integrated use



**IRBdi 5180**  
Peak

Door-on-door / built-in appliance for integrated use	
Energy efficiency class:	<b>D</b> <small>A G</small>
Energy consumption per year / 24 h:	<b>125 / 0.342 kWh</b>
Total volume <sup>1</sup> :	<b>296 l</b>
Volume:	<b>Fridge: 198.1 l / BioFresh compartment: 97.9 l</b>
Noise output / Sound power level:	<b>32 dB(A) / B, SuperSilent</b>
Climate rating:	<b>SN-T (from +10 °C to +43 °C)</b>
Aperture dimensions in cm (h/w/d):	<b>177.2 - 178.8 / 56 - 57 / at least 55.0</b>



### Controls

- 2.4" TFT-colour display, touch- & swipe-electronics
- Digital temperature display for refrigerator and BioFresh compartment
- SmartDeviceBox included
- Alarm in case of malfunction: visual and acoustic
- Door alarm fridge compartment: visual and acoustic

### Fridge and BioFresh compartment

- PowerCooling with Ambilight and FreshAir active carbon filter
- Premium GlassLine shelving with bottle holder, removable VarioBoxes, adjustable egg tray, butter dish
- 6 GlassLine shelves, of which 1 divisible
- VarioSafe
- Bottle shelf
- LightTower
- LED BioFresh lighting
- 3 BioFresh-Safes with SoftTelescopic, 2 Fruit & Vegetable-Safes, of which 1 with HydroBreeze, 1 Meat & Dairy-Safe, 1 FlexSystem
- InfinitySpring with fixed water connection 3/4"

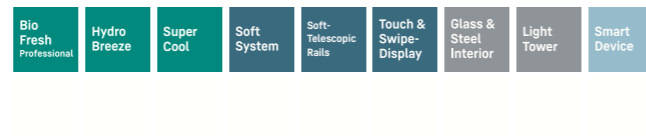
### Key features

- Height-adjustable feet at front
- Right hand hinge, reversible
- Replaceable door seal
- Dry rear wall and door panel in stainless steel with SmartSteel



**IRBci 5170**  
Peak

Door-on-door / built-in appliance for integrated use	
Energy efficiency class:	<b>C</b> <small>A G</small>
Energy consumption per year / 24 h:	<b>100 / 0.274 kWh</b>
Total volume <sup>1</sup> :	<b>296 l</b>
Volume:	<b>Fridge: 197.7 l / BioFresh compartment: 98.4 l</b>
Noise output / Sound power level:	<b>32 dB(A) / B, SuperSilent</b>
Climate rating:	<b>SN-T (from +10 °C to +43 °C)</b>
Aperture dimensions in cm (h/w/d):	<b>177.2 - 178.8 / 56 - 57 / at least 55.0</b>



### Controls

- 2.4" TFT-colour display, touch- & swipe-electronics
- Digital temperature display for refrigerator and BioFresh compartment
- SmartDeviceBox included
- Alarm in case of malfunction: visual and acoustic
- Door alarm fridge compartment: visual and acoustic

### Fridge and BioFresh compartment

- PowerCooling with Ambilight and FreshAir active carbon filter
- Premium GlassLine shelving with bottle holder, removable VarioBoxes, adjustable egg tray, butter dish
- 6 GlassLine shelves, of which 1 divisible
- VarioSafe
- Bottle shelf
- LightTower
- LED BioFresh lighting
- 3 BioFresh-Safes with SoftTelescopic, 2 Fruit & Vegetable-Safes, of which 1 with HydroBreeze, 1 Meat & Dairy-Safe, 1 FlexSystem

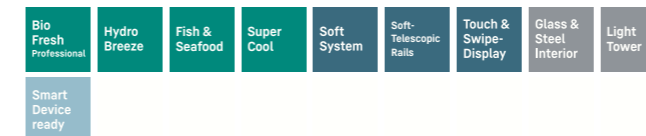
### Key features

- Height-adjustable feet at front
- Right hand hinge, reversible
- Replaceable door seal
- Dry rear wall and door panel in stainless steel with SmartSteel



**IRBd 5170**  
Peak

Door-on-door / built-in appliance for integrated use	
Energy efficiency class:	<b>D</b> <small>A G</small>
Energy consumption per year / 24 h:	<b>124 / 0.339 kWh</b>
Total volume <sup>1</sup> :	<b>293 l</b>
Volume:	<b>Fridge: 198.1 l / BioFresh compartment: 95.2 l</b>
Noise output / Sound power level:	<b>32 dB(A) / B, SuperSilent</b>
Climate rating:	<b>SN-T (from +10 °C to +43 °C)</b>
Aperture dimensions in cm (h/w/d):	<b>177.2 - 178.8 / 56 - 57 / at least 55.0</b>



### Controls

- 2.4" TFT-colour display, touch- & swipe-electronics
- Digital temperature display for refrigerator and BioFresh compartment
- SmartDeviceBox: as an optional accessory
- Alarm in case of malfunction: visual and acoustic
- Door alarm fridge compartment: visual and acoustic

### Fridge and BioFresh compartment

- PowerCooling with Ambilight and FreshAir active carbon filter
- Premium GlassLine shelving with bottle holder, removable VarioBoxes, adjustable egg tray, butter dish
- 6 GlassLine shelves, of which 1 divisible
- VarioSafe
- Bottle shelf
- LightTower
- LED BioFresh lighting
- 3 BioFresh-Safes with SoftTelescopic, 1 Fruit & Vegetable-Safe with HydroBreeze, 1 Fish & Seafood-Safe, 1 Meat & Dairy-Safe, 1 FlexSystem

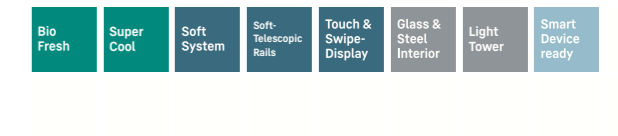
### Key features

- Height-adjustable feet at front
- Right hand hinge, reversible
- Replaceable door seal
- Dry rear wall and door panel in stainless steel with SmartSteel



**IRBd 5150**  
Prime

Door-on-door / built-in appliance for integrated use	
Energy efficiency class:	<b>D</b> <small>A G</small>
Energy consumption per year / 24 h:	<b>125 / 0.342 kWh</b>
Total volume <sup>1</sup> :	<b>296 l</b>
Volume:	<b>Fridge: 197.7 l / BioFresh compartment: 98.4 l</b>
Noise output / Sound power level:	<b>32 dB(A) / B, SuperSilent</b>
Climate rating:	<b>SN-T (from +10 °C to +43 °C)</b>
Aperture dimensions in cm (h/w/d):	<b>177.2 - 178.8 / 56 - 57 / at least 55.0</b>



### Controls

- 2.4" TFT-colour display, touch- & swipe-electronics
- Digital temperature display for refrigerator and BioFresh compartment
- SmartDeviceBox: as an optional accessory
- Alarm in case of malfunction: visual and acoustic
- Door alarm fridge compartment: visual and acoustic

### Fridge and BioFresh compartment

- PowerCooling with FreshAir active carbon filter
- Premium GlassLine shelving with bottle holder, removable VarioBoxes, adjustable egg tray, butter dish
- 6 GlassLine shelves, of which 1 divisible
- VarioSafe
- Bottle shelf
- LightTower
- LED BioFresh lighting
- 3 BioFresh-Safes with SoftTelescopic, 2 Fruit & Vegetable-Safe, 1 Meat & Dairy-Safe

### Key features

- Height-adjustable feet at front
- Right hand hinge, reversible
- Replaceable door seal
- Dry rear wall in stainless steel with SmartSteel



reddot winner 2021  
best of the best

↑  
178  
↓

**IRBd 5151**  
Prime

Door-on-door / built-in appliance for integrated use

Energy efficiency class:	<b>D</b> <small>A G</small>
Energy consumption per year / 24 h:	<b>164 / 0.449 kWh</b>
Total volume <sup>1</sup> :	<b>276 l</b>
Volume:	<b>Fridge: 151.3 l / BioFresh compartment: 98.4 l / Freezer compartment: 27 l</b>
Noise output / Sound power level:	<b>34 dB(A) / B, SuperSilent</b>
Climate rating:	<b>SN-T (from +10 °C to +43 °C)</b>
Aperture dimensions in cm (h/w/d):	<b>177.2 - 178.8 / 56 - 57 / at least 55.0</b>



**Controls**

- 2.4" TFT-colour display, touch- & swipe-electronics
- Digital temperature display for refrigerator and BioFresh compartment
- SmartDeviceBox: as an optional accessory
- Alarm in case of malfunction: visual and acoustic
- Door alarm fridge compartment: visual and acoustic

- 3 BioFresh-Safes with SoftTelescopic, 2 Fruit & Vegetable-Safe, 1 Meat & Dairy-Safe

**Freezer compartment** \*\*\*\*

- 4-star compartment, reversible door hinging
- Ice cube tray
- Storage time in the event of power cut: 14 h
- Freezing capacity in 24 h: 2 kg

**Key features**

- Height-adjustable feet at front
- Reversible door hinging
- Replaceable door seal
- Dry rear wall in stainless steel with SmartSteel

**Fridge and BioFresh compartment**

- PowerCooling with FreshAir active carbon filter
- Premium GlassLine shelving with bottle holder, removable VarioBoxes, adjustable egg tray, butter dish
- 4 GlassLine shelves, of which 1 divisible
- VarioSafe
- Integrated bottle shelf
- LightTower
- LED BioFresh lighting



↑  
178  
↓

**IRCBf 5121**  
Plus

Door-on-door / built-in appliance for integrated use

Energy efficiency class:	<b>F</b> <small>A G</small>
Energy consumption per year / 24 h:	<b>221 / 0.605 kWh</b>
Total volume <sup>1</sup> :	<b>265 l</b>
Volume:	<b>Fridge: 83.0 l / BioFresh compartment: 70.9 l / Cellar compartment: 95.9 l / Freezer compartment: 16 l</b>
Noise output / Sound power level:	<b>37 dB(A) / C</b>
Climate rating:	<b>SN-ST (from +10 °C to +38 °C)</b>
Aperture dimensions in cm (h/w/d):	<b>177.2 - 178.8 / 56 - 57 / at least 55.0</b>



**Controls**

- LC monochrome display, touch electronic
- Digital temperature indicator for the refrigeration and cellar compartments
- SmartDeviceBox: as an optional accessory
- Alarm in case of malfunction: visual and acoustic
- Door alarm fridge compartment: visual and acoustic

**Cellar compartment**

- Pull-out drawer with SoftTelescopic
- Independently regulated cellar compartment temperature +6 °C to +14 °C
- Removable Bottle holder

**Key features**

- Height-adjustable feet at front
- Reversible door hinging
- Replaceable door seal

**Fridge and BioFresh compartment**

- PowerCooling with FreshAir active carbon filter
- Plastic storage racks with bottle holder, egg tray
- 2 GlassLine shelves, of which 1 divisible
- Integrated bottle shelf
- LED lighting column on both sides
- 2 BioFresh-Safes on telescopic rails, 1 Fruit & Vegetable-Safe, 1 Meat & Dairy-Safe



↑  
178  
↓

**IRBe 5120**  
Plus

Door-on-door / built-in appliance for integrated use

Energy efficiency class:	<b>E</b> <small>A G</small>
Energy consumption per year / 24 h:	<b>156 / 0.427 kWh</b>
Total volume <sup>1</sup> :	<b>294 l</b>
Volume:	<b>Fridge: 195.8 l / BioFresh compartment: 98.2 l</b>
Noise output / Sound power level:	<b>37 dB(A) / C</b>
Climate rating:	<b>SN-T (from +10 °C to +43 °C)</b>
Aperture dimensions in cm (h/w/d):	<b>177.2 - 178.8 / 56 - 57 / at least 55.0</b>



**Controls**

- LC monochrome display, touch electronic
- Digital temperature display for refrigerator compartment
- SmartDeviceBox: as an optional accessory
- Alarm in case of malfunction: visual and acoustic
- Door alarm fridge compartment: visual and acoustic

**Key features**

- Height-adjustable feet at front
- Reversible door hinging
- Replaceable door seal

**Fridge and BioFresh compartment**

- PowerCooling with FreshAir active carbon filter
- Plastic storage racks with bottle holder, egg tray
- 6 GlassLine shelves, of which 1 divisible
- Integrated bottle shelf
- LED ceiling lighting
- 3 BioFresh-Safes on telescopic rails, 2 Fruit & Vegetable-Safe, 1 Meat & Dairy-Safe



**Cellar compartment**

Simply store supplies such as potatoes or drinks in your Liebherr's cellar-temperature compartment. It contains a removable basket, a storage tray and a drawer. The cellar-temperature compartment moves out gently on telescopic rails and closes using a self-closing mechanism with soft stop. The temperature is adjustable between 6 °C and 14 °C – depending on the food being stored.



**Meat & Dairy Safe**

Do you want the tender veal fillet or fresh milk to stay fresh for as long as possible? The BioFresh safes will ensure this is the case. In the Meat & Dairy Safe, the temperature is close to 0 °C – ideal storage conditions for even the most delicate of foods. And best of all, everything is perfectly adjusted in the factory for immediate use – and for longer freshness.

<sup>1</sup> In accordance with Regulation EU 2019/2016 we indicate the total volume to the nearest integer (rounded off) and the volume of the frozen compartments and refrigeration compartments to one place after the decimal point.

You can find the full range of efficiency classes on page 13. According to (EU) 2017/1369 6a.



↑  
178  
↓

**IRBSe 5120**  
Plus

Sliding door / built-in appliance for integrated use

Energy efficiency class:	<b>E</b>
Energy consumption per year / 24 h:	<b>156 / 0.427 kWh</b>
Total volume <sup>1</sup> :	<b>294 l</b>
Volume:	<b>Fridge: 195.8 l / BioFresh compartment: 98.2 l</b>
Noise output / Sound power level:	<b>37 dB(A) / C</b>
Climate rating:	<b>SN-T (from +10 °C to +43 °C)</b>
Aperture dimensions in cm (h/w/d):	<b>177.2 - 178.8 / 56 - 57 / at least 55.0</b>



**Controls**

- LC monochrome display, touch electronic
- Digital temperature display for refrigerator compartment
- SmartDeviceBox: as an optional accessory
- Alarm in case of malfunction: visual and acoustic
- Door alarm fridge compartment: visual and acoustic

**Key features**

- Height-adjustable feet at front
- Reversible door hinging
- Replaceable door seal

**Fridge and BioFresh compartment**

- PowerCooling with FreshAir active carbon filter
- Plastic storage racks with bottle holder, egg tray
- 6 GlassLine shelves, of which 1 divisible
- Integrated bottle shelf
- LED ceiling lighting
- 3 BioFresh-Safes on telescopic rails, 2 Fruit & Vegetable-Safe, 1 Meat & Dairy-Safe



↑  
158  
↓

**IRBe 4851**  
Prime

Door-on-door / built-in appliance for integrated use

Energy efficiency class:	<b>E</b>
Energy consumption per year / 24 h:	<b>194 / 0.531 kWh</b>
Total volume <sup>1</sup> :	<b>238 l</b>
Volume:	<b>Fridge: 144.2 l / BioFresh compartment: 67.0 l / Freezer compartment: 27 l</b>
Noise output / Sound power level:	<b>34 dB(A) / B, SuperSilent</b>
Climate rating:	<b>SN-T (from +10 °C to +43 °C)</b>
Aperture dimensions in cm (h/w/d):	<b>157.4 - 159 / 56 - 57 / at least 55.0</b>



**Controls**

- 2.4" TFT-colour display, touch- & swipe-electronics
- Digital temperature display for refrigerator and BioFresh compartment
- SmartDeviceBox: as an optional accessory
- Alarm in case of malfunction: visual and acoustic
- Door alarm fridge compartment: visual and acoustic

- 2 BioFresh-Safes with SoftTelescopic, 1 Fruit & Vegetable-Safe, 1 Meat & Dairy-Safe

**Freezer compartment**

- 4-star compartment, reversible door hinging
- Ice cube tray
- Storage time in the event of power cut: 14 h
- Freezing capacity in 24 h: 2 kg
- Glass shelves

**Key features**

- Height-adjustable feet at front
- Reversible door hinging
- Replaceable door seal
- Dry rear wall in stainless steel with SmartSteel

**Fridge and BioFresh compartment**

- PowerCooling with FreshAir active carbon filter
- Premium GlassLine shelving with bottle holder, removable VarioBoxes, adjustable egg tray, butter dish
- 4 GlassLine shelves, of which 1 divisible
- VarioSafe
- Integrated bottle shelf
- LightTower
- LED BioFresh lighting



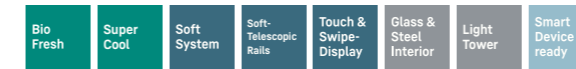
**reddot winner 2021**  
best of the best

↑  
140  
↓

**IRBd 4550**  
Prime

Door-on-door / built-in appliance for integrated use

Energy efficiency class:	<b>D</b>
Energy consumption per year / 24 h:	<b>114 / 0.312 kWh</b>
Total volume <sup>1</sup> :	<b>224 l</b>
Volume:	<b>Fridge: 157.6 l / BioFresh compartment: 67.0 l</b>
Noise output / Sound power level:	<b>33 dB(A) / B, SuperSilent</b>
Climate rating:	<b>SN-T (from +10 °C to +43 °C)</b>
Aperture dimensions in cm (h/w/d):	<b>139.7 - 141.3 / 56 - 57 / at least 55.0</b>



**Controls**

- 2.4" TFT-colour display, touch- & swipe-electronics
- Digital temperature display for refrigerator and BioFresh compartment
- SmartDeviceBox: as an optional accessory
- Alarm in case of malfunction: visual and acoustic
- Door alarm fridge compartment: visual and acoustic

- 2 BioFresh-Safes with SoftTelescopic, 1 Fruit & Vegetable-Safe, 1 Meat & Dairy-Safe

**Key features**

- Height-adjustable feet at front
- Reversible door hinging
- Replaceable door seal
- Dry rear wall in stainless steel with SmartSteel

**Fridge and BioFresh compartment**

- PowerCooling with FreshAir active carbon filter
- Premium GlassLine shelving with bottle holder, removable VarioBoxes, adjustable egg tray, butter dish
- 4 GlassLine shelves, of which 1 divisible
- VarioSafe
- Bottle shelf
- LightTower
- LED BioFresh lighting



**Fruit & Vegetable safe**

Crunchy salad and strawberries: the most delicate foods deserve a special place so they stay fresh longer – in BioFresh safes. In the Fruit & Vegetable safe the temperature is close to 0°C. Combined here with the constant humidity, thanks to the air-tight closure, unpackaged fruit and vegetables feel particularly at home. You do not have to adjust anything.



**LightTower**

Enjoy an optimally illuminated interior: the LightTower shows off the food in its best light and is positioned so that all of your filled fridge is illuminated at all times. The flush mounting of the LightTower in the side walls means there is also more space for your food.

<sup>1</sup> In accordance with Regulation EU 2019/2016 we indicate the total volume to the nearest integer (rounded off) and the volume of the frozen compartments and refrigeration compartments to one place after the decimal point. You can find the full range of efficiency classes on page 13. According to (EU) 2017/1369 6a.





**IRBd 4570**  
Peak

Door-on-door / built-in appliance for integrated use	
Energy efficiency class:	<b>D</b>
Energy consumption per year / 24 h:	<b>114 / 0.312 kWh</b>
Total volume <sup>1</sup> :	<b>224 l</b>
Volume:	<b>Fridge: 158.0 l / BioFresh compartment: 66.6 l</b>
Noise output / Sound power level:	<b>33 dB(A) / B, SuperSilent</b>
Climate rating:	<b>SN-T (from +10 °C to +43 °C)</b>
Aperture dimensions in cm (h/w/d):	<b>139.7 - 141.3 / 56 - 57 / at least 55.0</b>



**Controls**

- 2.4" TFT-colour display, touch- & swipe-electronics
- Digital temperature display for refrigerator and BioFresh compartment
- SmartDeviceBox: as an optional accessory
- Alarm in case of malfunction: visual and acoustic
- Door alarm fridge compartment: visual and acoustic

**Fridge and BioFresh compartment**

- PowerCooling with Ambilight and FreshAir active carbon filter
- Premium GlassLine shelving with bottle holder, removable VarioBoxes, adjustable egg tray, butter dish
- 4 GlassLine shelves, of which 1 divisible
- VarioSafe
- Bottle shelf
- LightTower
- LED BioFresh lighting
- 2 BioFresh-Safes with SoftTelescopic, 1 Fruit & Vegetable-Safe with HydroBreeze, 1 Meat & Dairy-Safe, 1 FlexSystem

**Key features**

- Height-adjustable feet at front
- Right hand hinge, reversible
- Replaceable door seal
- Dry rear wall and door panel in stainless steel with SmartSteel



**IRBb 4170**  
Peak

Door-on-door / built-in appliance for integrated use	
Energy efficiency class:	<b>B</b>
Energy consumption per year / 24 h:	<b>72 / 0.197 kWh</b>
Total volume <sup>1</sup> :	<b>191 l</b>
Volume:	<b>Fridge: 124.4 l / BioFresh compartment: 66.6 l</b>
Noise output / Sound power level:	<b>29 dB(A) / A, UltraSilent</b>
Climate rating:	<b>SN-T (from +10 °C to +43 °C)</b>
Aperture dimensions in cm (h/w/d):	<b>121.6 - 123.1 / 56 - 57 / at least 55.0</b>



**Controls**

- 2.4" TFT-colour display, touch- & swipe-electronics
- Digital temperature display for refrigerator and BioFresh compartment
- SmartDeviceBox: as an optional accessory
- Alarm in case of malfunction: visual and acoustic
- Door alarm fridge compartment: visual and acoustic

**Fridge and BioFresh compartment**

- PowerCooling with Ambilight and FreshAir active carbon filter
- Premium GlassLine shelving with bottle holder, removable VarioBoxes, adjustable egg tray, butter dish
- 3 GlassLine shelves, of which 1 divisible
- VarioSafe
- Bottle shelf
- LightTower
- LED BioFresh lighting
- 2 BioFresh-Safes with SoftTelescopic, 1 Fruit & Vegetable-Safe with HydroBreeze, 1 Meat & Dairy-Safe, 1 FlexSystem

**Key features**

- Height-adjustable feet at front
- Right hand hinge, reversible
- Replaceable door seal
- Dry rear wall and door panel in stainless steel with SmartSteel



**IRBd 4150**  
Prime

Door-on-door / built-in appliance for integrated use	
Energy efficiency class:	<b>D</b>
Energy consumption per year / 24 h:	<b>114 / 0.312 kWh</b>
Total volume <sup>1</sup> :	<b>191 l</b>
Volume:	<b>Fridge: 124.1 l / BioFresh compartment: 67.0 l</b>
Noise output / Sound power level:	<b>35 dB(A) / B, SuperSilent</b>
Climate rating:	<b>SN-T (from +10 °C to +43 °C)</b>
Aperture dimensions in cm (h/w/d):	<b>121.6 - 123.1 / 56 - 57 / at least 55.0</b>



**Controls**

- 2.4" TFT-colour display, touch- & swipe-electronics
- Digital temperature display for refrigerator and BioFresh compartment
- SmartDeviceBox: as an optional accessory
- Alarm in case of malfunction: visual and acoustic
- Door alarm fridge compartment: visual and acoustic

**Fridge and BioFresh compartment**

- PowerCooling with FreshAir active carbon filter
- Premium GlassLine shelving with bottle holder, removable VarioBoxes, adjustable egg tray, butter dish
- 3 GlassLine shelves, of which 1 divisible
- VarioSafe
- Bottle shelf
- LightTower
- LED BioFresh lighting
- 2 BioFresh-Safes with SoftTelescopic, 1 Fruit & Vegetable-Safe, 1 Meat & Dairy-Safe

**Key features**

- Height-adjustable feet at front
- Right hand hinge, reversible
- Replaceable door seal
- Dry rear wall in stainless steel with SmartSteel



**IRBd 4050**  
Prime

Door-on-door / built-in appliance for integrated use	
Energy efficiency class:	<b>D</b>
Energy consumption per year / 24 h:	<b>116 / 0.317 kWh</b>
Total volume <sup>1</sup> :	<b>157 l</b>
Volume:	<b>Fridge: 88.6 l / BioFresh compartment: 69.0 l</b>
Noise output / Sound power level:	<b>37 dB(A) / C</b>
Climate rating:	<b>SN-T (from +10 °C to +43 °C)</b>
Aperture dimensions in cm (h/w/d):	<b>102.4 - 104 / 56 - 57 / at least 55.0</b>



**Controls**

- 2.4" TFT-colour display, touch- & swipe-electronics
- Digital temperature display for refrigerator and BioFresh compartment
- SmartDeviceBox: as an optional accessory
- Alarm in case of malfunction: visual and acoustic
- Door alarm fridge compartment: visual and acoustic

**Fridge and BioFresh compartment**

- PowerCooling with FreshAir active carbon filter
- Premium GlassLine shelving with bottle carrier, adjustable egg tray, butter dish
- 3 GlassLine shelves, of which 1 divisible
- Bottle shelf
- LightTower
- LED BioFresh lighting
- 2 BioFresh-Safes with SoftTelescopic, 1 Fruit & Vegetable-Safe, 1 Meat & Dairy-Safe

**Key features**

- Height-adjustable feet at front
- Right hand hinge, reversible
- Replaceable door seal
- Dry rear wall in stainless steel with SmartSteel

## Refrigerator with BioFresh for integrated use



↑  
102  
↓

**IRBd 4020**  
Plus

Door-on-door / built-in appliance for integrated use

Energy efficiency class:	<b>D</b>
Energy consumption per year / 24 h:	<b>116 / 0.317 kWh</b>
Total volume <sup>1</sup> :	<b>156 l</b>
Volume:	<b>Fridge: 88.0 l / BioFresh compartment: 68.7 l</b>
Noise output / Sound power level:	<b>37 dB(A) / C</b>
Climate rating:	<b>SN-T (from +10 °C to +43 °C)</b>
Aperture dimensions in cm (h/w/d):	<b>102.4 - 104 / 56 - 57 / at least 55.0</b>



### Controls

- LC monochrome display, touch electronic
- Digital temperature display for refrigerator compartment
- SmartDeviceBox: as an optional accessory
- Alarm in case of malfunction: visual and acoustic
- Door alarm fridge compartment: visual and acoustic

### Fridge and BioFresh compartment

- PowerCooling with FreshAir active carbon filter
- Plastic storage racks with bottle holder
- 3 GlassLine shelves, of which 1 divisible
- Bottle shelf
- LED ceiling lighting
- 2 BioFresh-Safes on telescopic rails, 1 Fruit & Vegetable-Safe, 1 Meat & Dairy-Safe

### Key features

- Height-adjustable feet at front
- Right hand hinge, reversible
- Replaceable door seal

## Full BioFresh refrigerator for integrated use



Side  
by  
Side

↑  
88  
↓

**SIBa 3950**  
Prime

Door-on-door / built-in appliance for integrated use

Energy efficiency class:	<b>A</b>
Energy consumption per year / 24 h:	<b>63 / 0.172 kWh</b>
Total volume <sup>1</sup> :	<b>87 l</b>
Volume:	<b>BioFresh compartment: 87.2 l</b>
Noise output / Sound power level:	<b>34 dB(A) / B, SuperSilent</b>
Climate rating:	<b>SN-T (from +10 °C to +43 °C)</b>
Aperture dimensions in cm (h/w/d):	<b>87.4 - 89 / 56 - 57 / at least 55.0</b>



### Controls

- 2.4" TFT-colour display, touch- & swipe-electronics
- Digital temperature display
- SmartDeviceBox: as an optional accessory
- Alarm in case of malfunction: visual and acoustic
- Door alarm freezer compartment: visual and acoustic

### Fridge and BioFresh compartment

- 3 GlassLine shelves
- LED lighting
- LED BioFresh lighting
- 4 BioFresh safes

### Key features

- Side-panel heating and ceiling heating, suitable for combination with other fridges, freezers and/or wine appliances
- Height-adjustable feet at front
- Right hand hinge, reversible
- Replaceable door seal



SIBa 3950 ◯ Prime Series



### Touch & Swipe-electronics

Control of your Liebherr at your fingertips: thanks to the Touch & Swipe display, you can operate your refrigerator intuitively and with ease. The temperature is controlled just as easily. And, what if you are not actively using the display? Well, it then shows you the actual temperature.



### Full-space BioFresh appliance

If you like fresh food, you will love the full-space BioFresh appliance, SIBa 3950. It provides perfect storage conditions for your entire harvest: A temperature of nearly 0 °C and variable humidity ensure fruit and vegetables remain fresh and crisp. And, if it's a smaller harvest this year, the drawers keep dairy, meat and sausages fresh for longer than in the regular fridge compartment. This appliance is rated in the highest Energy Efficiency Class A.

<sup>1</sup> In accordance with Regulation EU 2019/2016 we indicate the total volume to the nearest integer (rounded off) and the volume of the frozen compartments and refrigeration compartments to one place after the decimal point. You can find the full range of efficiency classes on page 13. According to (EU) 2017/1369 6a.



IRDe 5120 ♦ Plus Series



↑  
178  
↓

**IRDe 5120**  
Plus

Door-on-door / built-in appliance for integrated use	
Energy efficiency class:	<b>E</b> <small>A+ G</small>
Energy consumption per year / 24 h:	<b>114 / 0.312 kWh</b>
Total volume <sup>1</sup> :	<b>309 l</b>
Noise output / Sound power level:	<b>35 dB(A) / B, SuperSilent</b>
Climate rating:	<b>SN-T (from +10 °C to +43 °C)</b>
Aperture dimensions in cm (h/w/d):	<b>177.2 - 178.8 / 56 - 57 / at least 55.0</b>



**Controls**

- LC monochrome display, touch electronic
- Digital temperature display
- SmartDeviceBox: as an optional accessory
- Alarm in case of malfunction: visual and acoustic
- Door alarm fridge compartment: visual and acoustic

**Fridge compartment**

- PowerCooling with FreshAir active carbon filter
- Plastic storage racks with bottle holder
- 5 GlassLine shelves, of which 1 divisible
- VarioSafe
- LED ceiling lighting
- 1 EasyFresh-Safe on telescopic rails
- 1 vegetable drawer running on telescopic rails
- Pull-out shelf on telescopic rails
- 2 removable bottle baskets

**Key features**

- Height-adjustable feet at front
- Right hand hinge, reversible
- Replaceable door seal

Stainless steel panel and handle available as optional accessory: No. 9902007

<sup>1</sup> In accordance with Regulation EU 2019/2016 we indicate the total volume to the nearest integer (rounded off) and the volume of the frozen compartments and refrigeration compartments to one place after the decimal point.



↑  
178  
↓

**IRf 5101**  
Pure

Door-on-door / built-in appliance for integrated use	
Energy efficiency class:	<b>F</b> <small>A+ G</small>
Energy consumption per year / 24 h:	<b>214 / 0.586 kWh</b>
Total volume <sup>1</sup> :	<b>286 l</b>
Volume:	<b>Fridge: 259.0 l / Freezer compartment: 27 l</b>
Noise output / Sound power level:	<b>37 dB(A) / C</b>
Climate rating:	<b>SN-ST (from +10 °C to +38 °C)</b>
Aperture dimensions in cm (h/w/d):	<b>177.2 - 178.8 / 56 - 57 / at least 55.0</b>



**Controls**

- LC monochrome display, touch electronic
- Digital temperature display for refrigerator compartment
- SmartDeviceBox: as an optional accessory
- Alarm in case of malfunction: visual and acoustic
- Door alarm fridge compartment: visual and acoustic

**Fridge compartment**

- PowerCooling with FreshAir active carbon filter
- Plastic storage racks with bottle holder
- 5 GlassLine shelves
- LED lighting column on both sides
- 1 EasyFresh-Safe on telescopic rails
- 1 vegetable drawer running on telescopic rails

**Freezer compartment** **\*\*\*\***

- 4-star compartment, reversible door hinging
- Storage time in the event of power cut: 14 h
- Freezing capacity in 24 h: 2 kg

**Key features**

- Height-adjustable feet at front
- Right hand hinge, reversible
- Replaceable door seal

Stainless steel panel and handle available as optional accessory: No. 9902007

You can find the full range of efficiency classes on page 13. According to (EU) 2017/1369 6a.



↑  
178  
↓

**IRe 5100**  
Pure

Door-on-door / built-in appliance for integrated use	
Energy efficiency class:	<b>E</b> <small>A+ G</small>
Energy consumption per year / 24 h:	<b>114 / 0.312 kWh</b>
Total volume <sup>1</sup> :	<b>308 l</b>
Noise output / Sound power level:	<b>35 dB(A) / B, SuperSilent</b>
Climate rating:	<b>SN-T (from +10 °C to +43 °C)</b>
Aperture dimensions in cm (h/w/d):	<b>177.2 - 178.8 / 56 - 57 / at least 55.0</b>



**Controls**

- LC monochrome display, touch electronic
- Digital temperature display
- SmartDeviceBox: as an optional accessory
- Alarm in case of malfunction: visual and acoustic
- Door alarm fridge compartment: visual and acoustic

**Fridge compartment**

- PowerCooling with FreshAir active carbon filter
- Plastic storage racks with bottle holder
- 7 GlassLine shelves
- LED ceiling lighting
- 1 EasyFresh-Safe on telescopic rails
- 1 vegetable drawer running on telescopic rails

**Key features**

- Height-adjustable feet at front
- Right hand hinge, reversible
- Replaceable door seal

Stainless steel panel and handle available as optional accessory: No. 9902007



↑  
140  
↓

**IRe 4521**  
Plus

Door-on-door / built-in appliance for integrated use

Energy efficiency class:	<b>E</b> <small>A G</small>
Energy consumption per year / 24 h:	<b>152 / 0.416 kWh</b>
Total volume <sup>1</sup> :	<b>217 l</b>
Volume:	<b>Fridge: 202.0 l / Freezer compartment: 16 l</b>
Noise output / Sound power level:	<b>35 dB(A) / B, SuperSilent</b>
Climate rating:	<b>SN-T (from +10 °C to +43 °C)</b>
Aperture dimensions in cm (h/w/d):	<b>139.7 - 141.3 / 56 - 57 / at least 55.0</b>



**Controls**

- LC monochrome display, touch electronic
- Digital temperature display for refrigerator compartment
- SmartDeviceBox: as an optional accessory
- Alarm in case of malfunction: visual and acoustic
- Door alarm fridge compartment: visual and acoustic

**Fridge compartment**

- Plastic storage racks with bottle holder, egg tray
- 6 GlassLine shelves, of which 1 divisible
- VarioSafe
- 3 bottle shelf
- LED lighting column on both sides
- 1 EasyFresh-Safe on running rails

**Freezer compartment** **\*\*\*\***

- 4-star compartment, reversible door hinging
- Ice cube tray
- Storage time in the event of power cut: 9 h
- Freezing capacity in 24 h: 2 kg

**Key features**

- Height-adjustable feet at front
- Reversible door hinging
- Replaceable door seal



↑  
140  
↓

**IRe 4520**  
Plus

Door-on-door / built-in appliance for integrated use

Energy efficiency class:	<b>E</b> <small>A G</small>
Energy consumption per year / 24 h:	<b>106 / 0.290 kWh</b>
Total volume <sup>1</sup> :	<b>235 l</b>
Volume:	<b>Fridge: 167.3 l / Freezer compartment: 16 l</b>
Noise output / Sound power level:	<b>35 dB(A) / B, SuperSilent</b>
Climate rating:	<b>SN-T (from +10 °C to +43 °C)</b>
Aperture dimensions in cm (h/w/d):	<b>139.7 - 141.3 / 56 - 57 / at least 55.0</b>



**Controls**

- LC monochrome display, touch electronic
- Digital temperature display
- SmartDeviceBox: as an optional accessory
- Alarm in case of malfunction: visual and acoustic
- Door alarm fridge compartment: visual and acoustic

**Fridge compartment**

- PowerCooling with FreshAir active carbon filter
- Plastic storage racks with bottle holder, egg tray
- 7 GlassLine shelves, of which 1 divisible
- VarioSafe
- 3 bottle shelf
- LED ceiling lighting
- 1 EasyFresh-Safe on running rails

**Key features**

- Height-adjustable feet at front
- Reversible door hinging
- Replaceable door seal



↑  
122  
↓

**IRd 4151**  
Prime

Door-on-door / built-in appliance for integrated use

Energy efficiency class:	<b>D</b> <small>A G</small>
Energy consumption per year / 24 h:	<b>119 / 0.326 kWh</b>
Total volume <sup>1</sup> :	<b>183 l</b>
Volume:	<b>Fridge: 167.3 l / Freezer compartment: 16 l</b>
Noise output / Sound power level:	<b>29 dB(A) / A, UltraSilent</b>
Climate rating:	<b>SN-T (from +10 °C to +43 °C)</b>
Aperture dimensions in cm (h/w/d):	<b>121.6 - 123.1 / 56 - 57 / at least 55.0</b>



**Controls**

- 2.4" TFT-colour display, touch- & swipe-electronics
- Digital temperature display for refrigerator compartment
- SmartDeviceBox: as an optional accessory
- Alarm in case of malfunction: visual and acoustic
- Door alarm fridge compartment: visual and acoustic

**Fridge compartment**

- Premium GlassLine shelving with bottle holder, removable VarioBoxes, adjustable egg tray, butter dish
- 4 GlassLine shelves, of which 1 divisible
- VarioSafe
- 3 bottle shelf
- LightTower
- 1 EasyFresh-Safe on telescopic rails
- Pull-out shelf on telescopic rails

**Freezer compartment** **\*\*\*\***

- 4-star compartment, reversible door hinging
- Ice cube tray
- Storage time in the event of power cut: 9 h
- Freezing capacity in 24 h: 2 kg

**Key features**

- Height-adjustable feet at front
- Reversible door hinging
- Replaceable door seal



↑  
122  
↓

**IRe 4101**  
Pure

Door-on-door / built-in appliance for integrated use

Energy efficiency class:	<b>E</b> <small>A G</small>
Energy consumption per year / 24 h:	<b>149 / 0.408 kWh</b>
Total volume <sup>1</sup> :	<b>182 l</b>
Volume:	<b>Fridge: 166.5 l / Freezer compartment: 16 l</b>
Noise output / Sound power level:	<b>35 dB(A) / B, SuperSilent</b>
Climate rating:	<b>SN-ST (from +10 °C to +38 °C)</b>
Aperture dimensions in cm (h/w/d):	<b>121.6 - 123.1 / 56 - 57 / at least 55.0</b>



**Controls**

- LC monochrome display, touch electronic
- Digital temperature display for refrigerator compartment
- SmartDeviceBox: as an optional accessory
- Alarm in case of malfunction: visual and acoustic
- Door alarm fridge compartment: visual and acoustic

**Fridge compartment**

- Kunststoff Abstellborde mit Flaschenhalter, Eierablage
- 4 GlassLine shelves
- LED lighting column on both sides
- 1 EasyFresh-Safe on running rails

**Key features**

- Height-adjustable feet at front
- Reversible door hinging
- Replaceable door seal

<sup>1</sup> In accordance with Regulation EU 2019/2016 we indicate the total volume to the nearest integer (rounded off) and the volume of the frozen compartments and refrigeration compartments to one place after the decimal point. You can find the full range of efficiency classes on page 13. According to (EU) 2017/1369 6a.



**IRe 4100**  
Pure

Door-on-door / built-in appliance for integrated use	
Energy efficiency class:	<b>E</b> <small>A G</small>
Energy consumption per year / 24 h:	<b>102 / 0.279 kWh</b>
Total volume <sup>1</sup> :	<b>201 l</b>
Volume:	<b>Fridge: 201.7 l</b>
Noise output / Sound power level:	<b>35 dB(A) / B, SuperSilent</b>
Climate rating:	<b>SN-T (from +10 °C to +43 °C)</b>
Aperture dimensions in cm (h/w/d):	<b>121.6 - 123.1 / 56 - 57 / at least 55.0</b>



**Controls**

- LC monochrome display, touch electronic
- Digital temperature display
- SmartDeviceBox: as an optional accessory
- Alarm in case of malfunction: visual and acoustic
- Door alarm fridge compartment: visual and acoustic

**Fridge compartment**

- Plastic storage racks with bottle holder, egg tray
- 5 GlassLine shelves
- LED ceiling lighting
- 1 EasyFresh-Safe on running rails

**Key features**

- Height-adjustable feet at front
- Reversible door hinging
- Replaceable door seal



**IRc 3950**  
Prime

Door-on-door / built-in appliance for integrated use	
Energy efficiency class:	<b>C</b> <small>A G</small>
Energy consumption per year / 24 h:	<b>60 / 0.164 kWh</b>
Total volume <sup>1</sup> :	<b>136 l</b>
Volume:	<b>Fridge: 136.8 l</b>
Noise output / Sound power level:	<b>29 dB(A) / A, UltraSilent</b>
Climate rating:	<b>SN-T (from +10 °C to +43 °C)</b>
Aperture dimensions in cm (h/w/d):	<b>87.4 - 89 / 56 - 57 / at least 55.0</b>



**Controls**

- 2.4" TFT-colour display, touch- & swipe-electronics
- Digital temperature display
- SmartDeviceBox: as an optional accessory
- Alarm in case of malfunction: visual and acoustic
- Door alarm fridge compartment: visual and acoustic

**Fridge compartment**

- Premium GlassLine shelving with bottle holder, removable VarioBoxes, adjustable egg tray, butter dish
- 4 GlassLine shelves, of which 1 divisible
- VarioSafe
- 3 bottle shelf
- LED ceiling lighting
- 1 EasyFresh-Safe

**Key features**

- Height-adjustable feet at front
- Reversible door hinging
- Replaceable door seal



**IRSe 3901**  
Pure

Sliding door / built-in appliance for integrated use	
Energy efficiency class:	<b>E</b> <small>A G</small>
Energy consumption per year / 24 h:	<b>147 / 0.402 kWh</b>
Total volume <sup>1</sup> :	<b>117 l</b>
Volume:	<b>Fridge: 101.6 l / Freezer compartment: 16 l</b>
Noise output / Sound power level:	<b>37 dB(A) / C</b>
Climate rating:	<b>SN-ST (from +10 °C to +38 °C)</b>
Aperture dimensions in cm (h/w/d):	<b>87.4 - 89 / 56 - 57 / at least 55.0</b>



**Controls**

- LC monochrome display, touch electronic
- Digital temperature display for refrigerator compartment
- SmartDeviceBox: as an optional accessory
- Alarm in case of malfunction: visual and acoustic
- Door alarm fridge compartment: visual and acoustic

**Fridge compartment**

- Plastic storage racks with bottle holder, egg tray
- 3 GlassLine shelves
- LED lighting column
- 1 EasyFresh-Safe

**Key features**

- Height-adjustable feet at front
- Reversible door hinging
- Replaceable door seal



**VarioSafe**

Do you want a clearly arranged place for small food items such as yoghurt pots, jam jars or tubes? Your Liebherr provides this with the VarioSafe. It not only creates order, but is also highly adaptable. Simply place the two-stage height-adjustable VarioSafe in the refrigerator where it suits you best.



**Convenient height adjustment for glass shelves**

Do you need a large container to go in the fridge? If so, simply adjust the heights at which you insert the glass shelves. The convenient height adjustment means this can be done quickly and individually – even with food stored on the shelves.

<sup>1</sup> In accordance with Regulation EU 2019/2016 we indicate the total volume to the nearest integer (rounded off) and the volume of the frozen compartments and refrigeration compartments to one place after the decimal point. You can find the full range of efficiency classes on page 13. According to (EU) 2017/1369 6a.



**IRd 3900**  
Pure

Door-on-door / built-in appliance for integrated use

Energy efficiency class:	<b>D</b>
Energy consumption per year / 24 h:	<b>75 / 0.205 kWh</b>
Total volume <sup>1</sup> :	<b>136 l</b>
Noise output / Sound power level:	<b>29 dB(A) / A, UltraSilent</b>
Climate rating:	<b>SN-T (from +10 °C to +43 °C)</b>
Aperture dimensions in cm (h/w/d):	<b>87.4 - 89 / 56 - 57 / at least 55.0</b>



**Controls**

- LC monochrome display, touch electronic
- Digital temperature display
- SmartDeviceBox: as an optional accessory
- Alarm in case of malfunction: visual and acoustic
- Door alarm fridge compartment: visual and acoustic

**Fridge compartment**

- Plastic storage racks with bottle holder, egg tray
- 5 GlassLine shelves
- LED ceiling lighting
- 1 EasyFresh-Safe
- Pull-out shelf on telescopic rails

**Key features**

- Height-adjustable feet at front
- Reversible door hinging
- Replaceable door seal



**IRSe 3900**  
Pure

Sliding door / built-in appliance for integrated use

Energy efficiency class:	<b>E</b>
Energy consumption per year / 24 h:	<b>93 / 0.254 kWh</b>
Total volume <sup>1</sup> :	<b>136 l</b>
Noise output / Sound power level:	<b>35 dB(A) / B, SuperSilent</b>
Climate rating:	<b>SN-ST (from +10 °C to +38 °C)</b>
Aperture dimensions in cm (h/w/d):	<b>87.4 - 89 / 56 - 57 / at least 55.0</b>



**Controls**

- LC monochrome display, touch electronic
- Digital temperature display
- SmartDeviceBox: as an optional accessory
- Alarm in case of malfunction: visual and acoustic
- Door alarm fridge compartment: visual and acoustic

**Fridge compartment**

- Plastic storage racks with bottle holder, egg tray
- 4 GlassLine shelves
- LED ceiling lighting
- 1 EasyFresh-Safe

**Key features**

- Height-adjustable feet at front
- Reversible door hinging
- Replaceable door seal



**DRe 3900**  
Pure

Flush / built-in appliance with décor panel

Energy efficiency class:	<b>E</b>
Energy consumption per year / 24 h:	<b>93 / 0.254 kWh</b>
Total volume <sup>1</sup> :	<b>136 l</b>
Noise output / Sound power level:	<b>35 dB(A) / B, SuperSilent</b>
Climate rating:	<b>SN-T (from +10 °C to +43 °C)</b>
Aperture dimensions in cm (h/w/d):	<b>87.4 - 88 / 56 - 57 / at least 55.0</b>



**Controls**

- LC monochrome display, touch electronic
- Digital temperature display
- SmartDeviceBox: as an optional accessory
- Alarm in case of malfunction: visual and acoustic
- Door alarm fridge compartment: visual and acoustic

**Fridge compartment**

- Plastic storage racks with bottle holder, egg tray
- 4 GlassLine shelves
- LED ceiling lighting
- 1 EasyFresh-Safe

**Key features**

- Height-adjustable feet at front
- Reversible door hinging
- Replaceable door seal



**EasyFresh**

The guarantee of market freshness in the home is our EasyFresh-Safe. Whether it's unpackaged vegetables or fruit, this ensures optimal storage for everything. Thanks to the air-tight closure, the food causes the humidity in the safe to rise. This keeps the food fresh for a long time.



**Touch display**

Fingertip control: the touch display enables easy and intuitive operation of your Liebherr. All functions are clearly arranged on the display. By gently tapping a finger, for example, you can easily select the functions or check the current temperature of your refrigerator.

<sup>1</sup> In accordance with Regulation EU 2019/2016 we indicate the total volume to the nearest integer (rounded off) and the volume of the frozen compartments and refrigeration compartments to one place after the decimal point. You can find the full range of efficiency classes on page 13. According to (EU) 2017/1369 6a.

# Freezers



**Side  
by  
Side**

All Liebherr freezers with aperture heights of 122, 140 and 178 cm can be perfectly combined side by side with fridges and wine fridges in various recesses to form a Mix and Match freshness centre. For more information about the Side-by-Side concept see pages 32-35.

# Freezers



○ Pure Series



◇ Plus Series



◻ Prime Series



△ Peak Series

	○ Pure Series	◇ Plus Series	◻ Prime Series	△ Peak Series
<b>Freshness technology</b>	SmartFrost			
	NoFrost	NoFrost	NoFrost	NoFrost
<b>Comfort &amp; flexibility</b>		SoftSystem soft stop mechanism	SoftSystem soft stop mechanism	SoftSystem soft stop mechanism
	Drawer guide on glass plate (Niche: 72, 88)	Drawer guide on glass plate (Niche: 72, 88)	Drawer guide on glass plate (Niche: 88)	
	Integrated drawer guide (Niche: 178)	Integrated drawer guide (Niche: 178)	Integrated drawer guide (Niche: 122, 140)	
				Drawer guide on telescopic rails
			Ice cube tray	Ice cube tray with lid
		Freezer tray	Freezer tray	Freezer tray
			2 Cold storage accumulators	2 Cold storage accumulators
	VarioSpace	VarioSpace	VarioSpace	VarioSpace
<b>Design</b>			Lighting	Lighting
				Lighting IceMaker
	Touch display	Touch display	Touch & Swipe display	Touch & Swipe display
<b>Connectivity (SmartDeviceBox)</b>	Can be retrofitted	Can be retrofitted	Can be retrofitted	Can be retrofitted or is included with "i" models
<b>Ice</b>				IceTower



# Unique features



## Freezer drawers

The top drawer in the freezer is often a bit of a mystery because you just can't see what's up there. A simple tilting function on the drawer allows it to be angled downwards when opened. This gives you a complete overview all the time. It also makes it easier to add and remove frozen goods. And the pull-out stop ensures the compartment does not fall out.



## Ice cube tray

The large ice cube tray is easy to fill with water thanks to its convenient fill opening. The lid seals on tightly so that the tray can be safely moved and placed in the appliance without spills.



## IceTower

You will never run out of cold drinks at your party. The IceTower, which holds 5.7 kg of ice cubes, makes sure of that. The ice cube scoop and the pull-out tray on telescopic rails allow easy access to the ice cubes. An extra insert tray means you can also store less ice and make room for frozen food underneath. The adjacent drawer provides storage space for frozen goods.



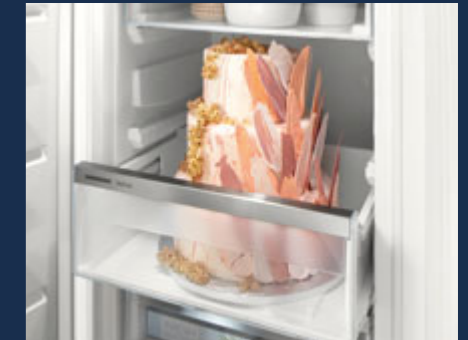
## SoftSystem

The stylish SoftSystem mechanism is integrated into the door and matches the colour of the interior door; it conveniently cushions movement to ensure extremely soft closure even when the door shelves are fully stocked. The door closes automatically from an opening angle of about 30°.



## Cold storage accumulator

The cold storage accumulators are doubly useful – both indoors and outdoors. Inside the freezer, they keep the frozen food cold for a period should there be a power failure. And they are on hand to chill your food and drinks when you're on outings.



## VarioSpace

Want to store a multi-layer ice cream cake safely until the summer party? No problem for your Liebherr freezer: Sometimes you just need more space and it's prepared for just that. With VarioSpace you can remove individual freezer drawers and the horizontal glass dividers below them, and hey presto, you have an extra large storage space.



## NoFrost

The NoFrost system from Liebherr provides rapid, fan-assisted, frost-free freezing for the safe, longterm storage of food. The NoFrost technology creates a much larger storage capacity and keeps the freezer constantly frost-free.



## Side-by-Side-concept

Combine your Liebherr appliance with complete flexibility to suit your personal freshness needs. All models labelled side-by-side, can be vertically and/or horizontally combined to form your individual freshness centre, providing perfect solutions to all your storage needs. More information see pages 32-35.



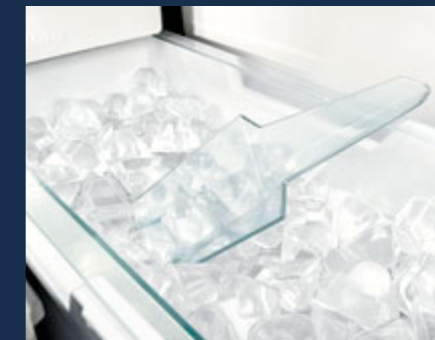
## LED-lighting

The LED lighting is positioned above the drawers in order to save space. It ensures the best overview of your goods, saves energy and has a long life.



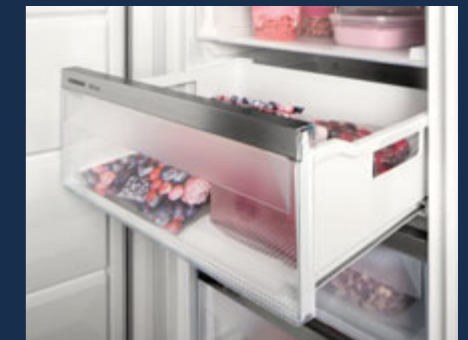
## Touch & Swipe display

Control of your Liebherr at your fingertips: thanks to the Touch & Swipe display, you can operate your refrigerator intuitively and with ease. Simply select functions such as SuperCool on the colour display by tapping and swiping. The temperature is controlled just as easily. And, what if you are not actively using the display? Well, it then shows you the actual temperature.



## Ice cube scoop

The Liebherr ice scoop makes portioning and transporting of ice easy. Thanks to the slanted tip and the ergonomic handle, ice cubes can be made quickly and easily. The robust ice scoop made of sturdy plastic is also pleasing to the eye thanks to its satin surface in transparent glacier green.



## Telescopic rails

The freezer drawers are mounted on high-quality, smooth-running telescopic rails for ease of use, even when heavily filled. The drawers offer ample storage space and have a single-piece design for easy removal and cleaning.



SIFNAe 5188 Δ Peak Series

Freezer with NoFrost and AutoDoor for integrated use



**SIFNAe 5188 (AutoDoor)**  
Peak

Door-on-door / built-in appliance for integrated use

Energy efficiency class:	<b>E</b> <small>A G</small>
Energy consumption per year / 24 h:	<b>237 / 0.649 kWh</b>
Total volume <sup>1</sup> :	<b>213 l</b>

Noise output / Sound power level:	<b>35 dB(A) / B, SuperSilent</b>
Climate rating:	<b>SN-T (from +10 °C to +43 °C)</b>
Aperture dimensions in cm (h/w/d):	<b>177.2 - 178.8 / 56 - 57 / at least 55.0</b>

No Frost	Super Frost	Soft System	Telescopic Rails	Touch & Swipe-Display	VarioSpace	LED	Ice Tower	Ice Maker
Auto Door	Smart Device							

**Controls**

- 2.4" TFT-colour display, touch- & swipe-electronics
- Digital temperature display
- SmartDeviceBox included
- Alarm in case of malfunction: visual and acoustic
- Door alarm freezer compartment: visual and acoustic

- Freezing capacity in 24 h: 10 kg
- 2 cold storage accumulators
- Safety glass fittings

**Key features**

- Side-panel heating on both sides, suitable for combination with other fridges, freezers and/or wine appliances
- Choose from right hand hinge or left hand hinge
- Right hand hinge, reversible
- Replaceable door seal

**Freezer compartment** \*\*\*

- 8 drawers, of which 5 on telescopic rails, VarioSpace
- IceTower
- IceMaker for plumbed-in connection 3/4"
- Ice cube storage: 5.7 kg
- LED lighting
- Storage time in the event of power cut: 9 h

Choose from left (617) or right (001) hand hinge, fixed.  
Must be chosen at the point of sale, or completed by Liebherr trained and approved service agents.



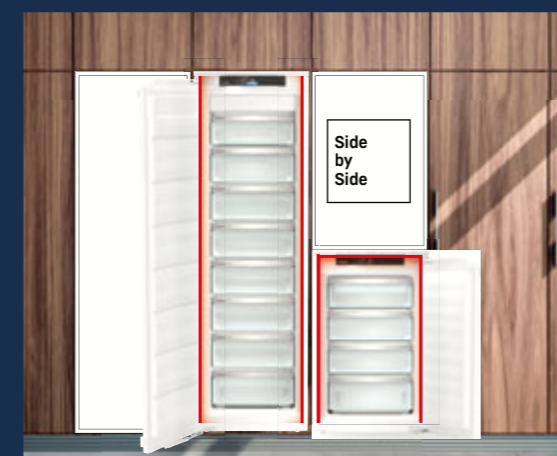
**AutoDoor**

Hands-free option with Liebherr: Thanks to AutoDoor, you can open your Liebherr with a knocking signal or voice command. This makes the Liebherr the world's first refrigerator which can be opened and closed fully automatically – perfection in the hands-free kitchen. You can individually select the opening angle and the duration until closing. And if need be, you can also open and close it just as easily by hand or using your smartphone.



**IceTower**

You will never run out of cold drinks at your party. The IceTower, which holds 5.7 kg of ice cubes, makes sure of that. The ice cube scoop and the pull-out tray on telescopic rails allow easy access to the ice cubes. An extra insert tray means you can also store less ice and make room for frozen food underneath. The adjacent drawer provides storage space for frozen goods.



**Side-by-Side-concept**

Combine your Liebherr appliance with complete flexibility to suit your personal freshness needs. All models labelled side-by-side, can be vertically and/or horizontally combined to form your individual freshness centre, providing perfect solutions to all your storage needs. More information see pages 32-35.

<sup>1</sup> In accordance with Regulation EU 2019/2016 we indicate the total volume to the nearest integer (rounded off) and the volume of the frozen compartments and refrigeration compartments to one place after the decimal point.  
You can find the full range of efficiency classes on page 13.  
According to (EU) 2017/1369 6a.

## Freezers with NoFrost for integrated use



**SIFNei 5188**  
Peak

Door-on-door / built-in appliance for integrated use

Energy efficiency class:	<b>E</b> <small>A G</small>
Energy consumption per year / 24 h:	<b>237 / 0.649 kWh</b>
Total volume <sup>1</sup> :	<b>213 l</b>
Noise output / Sound power level:	<b>35 dB(A) / B, SuperSilent</b>
Climate rating:	<b>SN-T (from +10 °C to +43 °C)</b>
Aperture dimensions in cm (h/w/d):	<b>177.2 - 178.8 / 56 - 57 / at least 55.0</b>



### Controls

- 2,4" TFT-colour display, touch- & swipe-electronics
- Digital temperature display
- SmartDeviceBox included
- Alarm in case of malfunction: visual and acoustic
- Door alarm freezer compartment: visual and acoustic

### Freezer compartment **4\*\*\*\***

- 8 drawers, of which 5 on telescopic rails, VarioSpace
- IceTower
- IceMaker for plumbed-in connection 3/4"
- Ice cube storage: 5.7 kg
- LED lighting

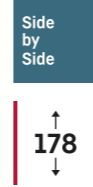
- Storage time in the event of power cut: 9 h
- Freezing capacity in 24 h: 10 kg
- 2 cold storage accumulators
- Safety glass fittings

### Key features

- Side-panel heating on both sides, suitable for combination with other fridges, freezers and/or wine appliances

**SIFNe 5188** SmartDeviceBox: as an optional accessory

For fridge and freezer sets please see our Side-by-Side Freshness Centres on pages 32-35.  
Stainless steel panel and handle available as optional accessory: No. 9902 007



**SIFNf 5128**  
Plus

Door-on-door / built-in appliance for integrated use

Energy efficiency class:	<b>F</b> <small>A G</small>
Energy consumption per year / 24 h:	<b>296 / 0.811 kWh</b>
Total volume <sup>1</sup> :	<b>213 l</b>
Noise output / Sound power level:	<b>35 dB(A) / B, SuperSilent</b>
Climate rating:	<b>SN-T (from +10 °C to +43 °C)</b>
Aperture dimensions in cm (h/w/d):	<b>177.2 - 178.8 / 56 - 57 / at least 55.0</b>



### Controls

- LC monochrome display, touch electronic
- Digital temperature display
- SmartDeviceBox: as an optional accessory
- Alarm in case of malfunction: visual and acoustic
- Door alarm freezer compartment: visual and acoustic

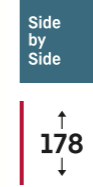
### Freezer compartment **3\*\*\*\***

- 8 drawers, VarioSpace
- Ice cube tray
- Storage time in the event of power cut: 9 h
- Freezing capacity in 24 h: 10 kg

### Key features

- Side-panel heating on both sides, suitable for combination with other fridges, freezers and/or wine appliances
- Height-adjustable feet at front
- Left hand hinge, reversible
- Replaceable door seal

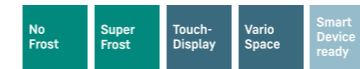
For fridge and freezer sets please see our Side-by-Side Freshness Centres on pages 32-35.  
Stainless steel panel and handle available as optional accessory: No. 9902007



**SIFNSf 5128**  
Plus

Sliding door / built-in appliance for integrated use

Energy efficiency class:	<b>F</b> <small>A G</small>
Energy consumption per year / 24 h:	<b>296 / 0.811 kWh</b>
Total volume <sup>1</sup> :	<b>213 l</b>
Noise output / Sound power level:	<b>35 dB(A) / B, SuperSilent</b>
Climate rating:	<b>SN-T (from +10 °C to +43 °C)</b>
Aperture dimensions in cm (h/w/d):	<b>177.2 - 178.8 / 56 - 57 / at least 55.0</b>



### Controls

- LC monochrome display, touch electronic
- Digital temperature display
- SmartDeviceBox: as an optional accessory
- Alarm in case of malfunction: visual and acoustic
- Door alarm freezer compartment: visual and acoustic

### Freezer compartment **3\*\*\*\***

- 8 drawers, VarioSpace
- Ice cube tray
- Storage time in the event of power cut: 9 h
- Freezing capacity in 24 h: 10 kg

### Key features

- Side-panel heating on both sides, suitable for combination with other fridges, freezers and/or wine appliances
- Height-adjustable feet at front
- Left hand hinge, reversible
- Replaceable door seal

For fridge and freezer sets please see our Side-by-Side Freshness Centres on pages 32-35.  
Stainless steel panel and handle available as optional accessory: No. 9902007

## Freezers with NoFrost for integrated use



**SIFNf 5108**  
Pure

Door-on-door / built-in appliance for integrated use

Energy efficiency class:	<b>F</b> <small>A G</small>
Energy consumption per year / 24 h:	<b>296 / 0.811 kWh</b>
Total volume <sup>1</sup> :	<b>213 l</b>
Noise output / Sound power level:	<b>35 dB(A) / B, SuperSilent</b>
Climate rating:	<b>SN-T (from +10 °C to +43 °C)</b>
Aperture dimensions in cm (h/w/d):	<b>177.2 - 178.8 / 56 - 57 / at least 55.0</b>



### Controls

- LC monochrome display, touch electronic
- Digital temperature display
- SmartDeviceBox: as an optional accessory
- Alarm in case of malfunction: visual and acoustic
- Door alarm freezer compartment: visual and acoustic

### Freezer compartment **3\*\*\*\***

- 8 drawers, VarioSpace
- Storage time in the event of power cut: 9 h
- Freezing capacity in 24 h: 10 kg
- Safety glass fittings

### Key features

- Side-panel heating on both sides, suitable for combination with other fridges, freezers and/or wine appliances
- Height-adjustable feet at front
- Left hand hinge, reversible
- Replaceable door seal

For fridge and freezer sets please see our Side-by-Side Freshness Centres on pages 32-35.  
Stainless steel panel and handle available as optional accessory: No. 9902007

<sup>1</sup> In accordance with Regulation EU 2019/2016 we indicate the total volume to the nearest integer (rounded off) and the volume of the frozen compartments and refrigeration compartments to one place after the decimal point.

You can find the full range of efficiency classes on page 13. According to (EU) 2017/1369 6a.



SIFNd 4556 O Prime Series



### Integrated drawer slides

When the freezer drawers are opened and loaded, the integrated drawer slides give you convenient access to your food at all times. The pull-out stop prevents drawers from falling out when opened. On closing, the drawers slide into their final position with ease which ensures ideal air distribution in front of the drawers and therefore the best possible cooling.



### SuperSilent

Shhh – listen carefully. Your Liebherr is so quiet that you have to strain your ears to hear it. How is this achieved? All refrigeration components such as compressors, valves, fans and evaporators are optimised and perfectly adapted to one another. This means you only hear what you want to hear in your kitchen.

## Freezers with NoFrost for integrated use

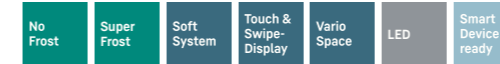


Side by Side  
140

**SIFNd 4556**  
Prime

Door-on-door / built-in appliance for integrated use

Energy efficiency class:	<b>D</b> <small>A G</small>
Energy consumption per year / 24 h:	<b>173 / 0.474 kWh</b>
Total volume <sup>1</sup> :	<b>156 l</b>
Noise output / Sound power level:	<b>35 dB(A) / B, SuperSilent</b>
Climate rating:	<b>SN-T (from +10 °C to +43 °C)</b>
Aperture dimensions in cm (h/w/d):	<b>139.7 - 141.3 / 56 - 57 / at least 55.0</b>



#### Controls

- 2.4" TFT-colour display, touch- & swipe-electronics
- Digital temperature display
- SmartDeviceBox: as an optional accessory
- Alarm in case of malfunction: visual and acoustic
- Door alarm freezer compartment: visual and acoustic

#### Freezer compartment **\*\*\*\***

- 6 drawers, VarioSpace
- Ice cube tray with lid
- LED lighting
- Storage time in the event of power cut: 10 h
- Freezing capacity in 24 h: 10 kg
- 2 cold storage accumulators
- Safety glass fittings

#### Key features

- Side-panel heating on both sides, suitable for combination with other fridges, freezers and/or wine appliances
- Height-adjustable feet at front
- Left hand hinge, reversible
- Replaceable door seal



Side by Side  
122

**SIFNd 4155**  
Prime

Door-on-door / built-in appliance for integrated use

Energy efficiency class:	<b>D</b> <small>A G</small>
Energy consumption per year / 24 h:	<b>166 / 0.454 kWh</b>
Total volume <sup>1</sup> :	<b>129 l</b>
Noise output / Sound power level:	<b>34 dB(A) / B, SuperSilent</b>
Climate rating:	<b>SN-T (from +10 °C to +43 °C)</b>
Aperture dimensions in cm (h/w/d):	<b>121.6 - 122.6 / 56 - 57 / at least 55.0</b>



#### Controls

- 2.4" TFT-colour display, touch- & swipe-electronics
- Digital temperature display
- SmartDeviceBox: as an optional accessory
- Alarm in case of malfunction: visual and acoustic
- Door alarm freezer compartment: visual and acoustic

#### Freezer compartment **\*\*\*\***

- 5 drawers, VarioSpace
- Ice cube tray with lid
- LED lighting
- Storage time in the event of power cut: 9 h
- Freezing capacity in 24 h: 8 kg
- 2 cold storage accumulators
- Safety glass fittings

#### Key features

- Side-panel heating and ceiling heating, suitable for combination with other fridges, freezers and/or wine appliances
- Height-adjustable feet at front
- Left hand hinge, reversible
- Replaceable door seal

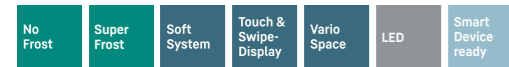
<sup>1</sup> In accordance with Regulation EU 2019/2016 we indicate the total volume to the nearest integer (rounded off) and the volume of the frozen compartments and refrigeration compartments to one place after the decimal point. You can find the full range of efficiency classes on page 13. According to (EU) 2017/1369 6a.



**IFNd 3954**  
Prime

Door-on-door / built-in appliance for integrated use

Energy efficiency class:	<b>D</b>
Energy consumption per year / 24 h:	<b>153 / 0.419 kWh</b>
Total volume <sup>1</sup> :	<b>87 l</b>
Noise output / Sound power level:	<b>34 dB(A) / B, SuperSilent</b>
Climate rating:	<b>SN-T (from +10 °C to +43 °C)</b>
Aperture dimensions in cm (h/w/d):	<b>87.4 - 89 / 56 - 57 / at least 55.0</b>



**Controls**

- 2.4" TFT-colour display, touch- & swipe-electronics
- Digital temperature display
- SmartDeviceBox: as an optional accessory
- Alarm in case of malfunction: visual and acoustic
- Door alarm freezer compartment: visual and acoustic

**Freezer compartment** **4\*\*\*\***

- 4 drawers, VarioSpace
- Ice cube tray with lid
- LED lighting
- Storage time in the event of power cut: 10 h
- Freezing capacity in 24 h: 10 kg
- 2 cold storage accumulators
- Safety glass fittings

**Key features**

- Ceiling heating for Side-by-Side concept
- Height-adjustable feet at front
- Right hand hinge, reversible
- Replaceable door seal



**IFNe 3924**  
Plus

Door-on-door / built-in appliance for integrated use

Energy efficiency class:	<b>E</b>
Energy consumption per year / 24 h:	<b>191 / 0.523 kWh</b>
Total volume <sup>1</sup> :	<b>87 l</b>
Noise output / Sound power level:	<b>35 dB(A) / B, SuperSilent</b>
Climate rating:	<b>SN-T (from +10 °C to +43 °C)</b>
Aperture dimensions in cm (h/w/d):	<b>87.4 - 89 / 56 - 57 / at least 55.0</b>



**Controls**

- LC monochrome display, touch electronic
- Digital temperature display
- SmartDeviceBox: as an optional accessory
- Alarm in case of malfunction: visual and acoustic
- Door alarm freezer compartment: visual and acoustic

**Freezer compartment** **4\*\*\*\***

- 4 drawers, VarioSpace
- Ice cube tray
- Storage time in the event of power cut: 10 h
- Freezing capacity in 24 h: 10 kg
- Safety glass fittings

**Key features**

- Ceiling heating for Side-by-Side concept
- Height-adjustable feet at front
- Right hand hinge, reversible
- Replaceable door seal



**IFe 3904**  
Pure

Door-on-door / built-in appliance for integrated use

Energy efficiency class:	<b>E</b>
Energy consumption per year / 24 h:	<b>179 / 0.490 kWh</b>
Total volume <sup>1</sup> :	<b>101 l</b>
Noise output / Sound power level:	<b>34 dB(A) / B, SuperSilent</b>
Climate rating:	<b>SN-ST (from +10 °C to +38 °C)</b>
Aperture dimensions in cm (h/w/d):	<b>87.4 - 89 / 56 - 57 / at least 55.0</b>



**Controls**

- LC monochrome display, touch electronic
- Digital temperature display
- SmartDeviceBox: as an optional accessory
- Alarm in case of malfunction: visual and acoustic
- Door alarm freezer compartment: visual and acoustic

**Freezer compartment** **4\*\*\*\***

- 4 drawers, VarioSpace
- Storage time in the event of power cut: 10 h
- Freezing capacity in 24 h: 8 kg
- Safety glass fittings

**Key features**

- Ceiling heating for Side-by-Side concept
- Height-adjustable feet at front
- Right hand hinge, reversible
- Replaceable door seal



**IFSe 3904**  
Pure

Sliding door / built-in appliance for integrated use

Energy efficiency class:	<b>E</b>
Energy consumption per year / 24 h:	<b>179 / 0.490 kWh</b>
Total volume <sup>1</sup> :	<b>101 l</b>
Noise output / Sound power level:	<b>33 dB(A) / B, SuperSilent</b>
Climate rating:	<b>SN-ST (from +10 °C to +38 °C)</b>
Aperture dimensions in cm (h/w/d):	<b>87.4 - 89 / 56 - 57 / at least 55.0</b>



**Controls**

- LC monochrome display, touch electronic
- Digital temperature display
- SmartDeviceBox: as an optional accessory
- Alarm in case of malfunction: visual and acoustic
- Door alarm freezer compartment: visual and acoustic

**Freezer compartment** **4\*\*\*\***

- 4 drawers, VarioSpace
- Storage time in the event of power cut: 10 h
- Freezing capacity in 24 h: 8 kg
- Safety glass fittings

**Key features**

- Ceiling heating for Side-by-Side concept
- Height-adjustable feet at front
- Right hand hinge, reversible
- Replaceable door seal



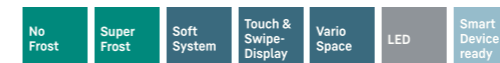
IFNe 3553 ♦ Plus Series



**IFNe 3553**  
Prime

Door-on-door / built-in appliance for integrated use

Energy efficiency class:	<b>E</b> <small>A G</small>
Energy consumption per year / 24 h:	<b>185 / 0.506 kWh</b>
Total volume <sup>1</sup> :	<b>65 l</b>
Noise output / Sound power level:	<b>34 dB(A) / B, SuperSilent</b>
Climate rating:	<b>SN-T (from +10 °C to +43 °C)</b>
Aperture dimensions in cm (h/w/d):	<b>71.4 - 73 / 56 - 57 / at least 55.0</b>



**Controls**

- 2.4" TFT-colour display, touch- & swipe-electronics
- Digital temperature display
- SmartDeviceBox: as an optional accessory
- Alarm in case of malfunction: visual and acoustic
- Door alarm freezer compartment: visual and acoustic

**Freezer compartment** \*\*\*

- 3 drawers, VarioSpace
- Ice cube tray with lid
- LED lighting
- Storage time in the event of power cut: 10 h
- Freezing capacity in 24 h: 8 kg
- 2 cold storage accumulators
- Safety glass fittings

**Key features**

- Ceiling heating for Side-by-Side concept
- Height-adjustable feet at front
- Right hand hinge, reversible
- Replaceable door seal



**IFNe 3503**  
Pure

Door-on-door / built-in appliance for integrated use

Energy efficiency class:	<b>E</b> <small>A G</small>
Energy consumption per year / 24 h:	<b>185 / 0.506 kWh</b>
Total volume <sup>1</sup> :	<b>65 l</b>
Noise output / Sound power level:	<b>34 dB(A) / B, SuperSilent</b>
Climate rating:	<b>SN-T (from +10 °C to +43 °C)</b>
Aperture dimensions in cm (h/w/d):	<b>71.4 - 73 / 56 - 57 / at least 55.0</b>



**Controls**

- LC monochrome display, touch electronic
- Digital temperature display
- SmartDeviceBox: as an optional accessory
- Alarm in case of malfunction: visual and acoustic
- Door alarm freezer compartment: visual and acoustic

**Freezer compartment** \*\*\*

- 3 drawers, VarioSpace
- Storage time in the event of power cut: 10 h
- Freezing capacity in 24 h: 8 kg
- Safety glass fittings

**Key features**

- Ceiling heating for Side-by-Side concept
- Height-adjustable feet at front
- Right hand hinge, reversible
- Replaceable door seal

<sup>1</sup> In accordance with Regulation EU 2019/2016 we indicate the total volume to the nearest integer (rounded off) and the volume of the frozen compartments and refrigeration compartments to one place after the decimal point. You can find the full range of efficiency classes on page 13. According to (EU) 2017/1369 6a.

Under-worktop



SUIGN 1554 Premium

UIKP 1550 Premium

## Unique features



### BioFresh

BioFresh provides the perfect climate for long-lasting food storage. When stored at just over 0 °C and at the ideal humidity level, fruit, vegetables, meat and fish all retain their nutritious vitamins for longer.



### Pull-out glass shelves

Food is stored safely and easily accessible on the fully extendible pull-out glass shelves (UIKo 1550 / 1560). The glass pull-out shelves made of safety glass are sturdy and easy to clean as well as being adjustable using practical rail dividers.



### LiftUp Box

The LiftUp Box allows you to fully utilise the storage space below the pull-out drawer. It is ergonomically attached, easy to take out and can hold up to 4 kg. When pulled out, the LiftUp Box pushes up out of the base recess, allowing the food to be removed easily.



### Bottle basket

Do your family and party guests love cold drinks? Often the inside door of the refrigerator isn't enough for bottle cooling. However, your Liebherr will be happy to help. There's plenty of room in the bottle baskets for bottles and Tetrapaks – or even a whole crate of beer. The shelves of the baskets rest on telescopic rails and slide out gently for easy removal.



### Deep shelves

A lot of goods can be stored on the deep shelves, reducing the need to bend down when storing and removing items (UIKP 1550 and UIKP 1554). The items are delivered to the customer. This is a great ergonomic advantage, especially for under-worktop appliances that are installed below the table edge.



### SoftSystem

The stylish SoftSystem mechanism is integrated into the door and matches the colour of the interior door; it conveniently cushions movement to ensure extremely soft closure even when the door shelves are fully stocked. The door closes automatically from an opening angle of about 30°.





## Under-worktop, full-space BioFresh refrigerator for integrated use



### SUIB 1550 Premium

Door-on-door / under-worktop appliance for integrated use

Energy efficiency class:	<b>C</b>
Energy consumption per year / 24 h:	<b>96 / 0.263 kWh</b>
Total volume <sup>1</sup> :	<b>79 l</b>
Volume:	<b>BioFresh compartment: 79.9 l</b>
Noise output / Sound power level:	<b>35 dB(A) / B, SuperSilent</b>
Climate rating:	<b>SN-T (from +10 °C to +43 °C)</b>
Aperture dimensions in cm (h/w/d):	<b>82 - 88 / 60 / at least 55.0</b>



#### Controls

- MagicEye, key electronics
- Digital temperature display
- Door alarm fridge compartment: visual and acoustic

#### BioFresh compartment

- 2 GlassLine shelves
- 3 BioFresh-Safes, 1 FlexSystem
- Cabinet can be adjusted from HydroSafe to DrySafe
- Removable tray (4 litres in the base recess)

#### Key features

- Side-panel heating on both sides, suitable for combination with other fridges, freezers and/or wine appliances
- Height-adjustable feet at front and rear
- Right hand hinge, reversible



### UIK 1514 Comfort

Door-on-door / under-worktop appliance for integrated use

Energy efficiency class:	<b>F</b>
Energy consumption per year / 24 h:	<b>177 / 0.484 kWh</b>
Total volume <sup>1</sup> :	<b>119 l</b>
Volume:	<b>Fridge: 104.8 l / Freezer compartment: 15 l</b>
Noise output / Sound power level:	<b>35 dB(A) / B, SuperSilent</b>
Climate rating:	<b>SN-ST (from +10 °C to +38 °C)</b>
Aperture dimensions in cm (h/w/d):	<b>82 - 88 / 60 / at least 55.0</b>



#### Controls

- MagicEye, key electronics
- Digital temperature display for refrigerator compartment
- Door alarm fridge compartment: visual and acoustic

#### Fridge compartment

- Comfort GlassLine shelving with bottle carrier, adjustable egg tray
- 3 GlassLine shelves
- LED lighting
- 1 large fruit/vegetable compartment

#### Freezer compartment **4\*\*\*\***

- Hinged 4-star freezer compartment door
- Storage time in the event of power cut: 10 h
- Freezing capacity in 24 h: 4 kg

#### Key features

- Height-adjustable feet at front and rear
- Right hand hinge, reversible



### UIK 1510 Comfort

Door-on-door / under-worktop appliance for integrated use

Energy efficiency class:	<b>F</b>
Energy consumption per year / 24 h:	<b>115 / 0.314 kWh</b>
Total volume <sup>1</sup> :	<b>136 l</b>
Noise output / Sound power level:	<b>35 dB(A) / B, SuperSilent</b>
Climate rating:	<b>SN-ST (from +10 °C to +38 °C)</b>
Aperture dimensions in cm (h/w/d):	<b>82 - 88 / 60 / at least 55.0</b>



#### Controls

- MagicEye, key electronics
- Digital temperature display
- Door alarm fridge compartment: visual and acoustic

#### Fridge compartment

- Comfort GlassLine shelving with bottle carrier, adjustable egg tray
- 4 GlassLine shelves
- LED ceiling lighting
- 1 large fruit/vegetable compartment

#### Key features

- Height-adjustable feet at front and rear
- Right hand hinge, reversible



### Tray inserted into the base

The tray inserted into the base recess enables the optimal use of the lower space in the appliance. It can be easily removed and with a capacity of approx. 4 litres offers sufficient space for smaller goods.

## Under-worktop refrigerators for integrated use

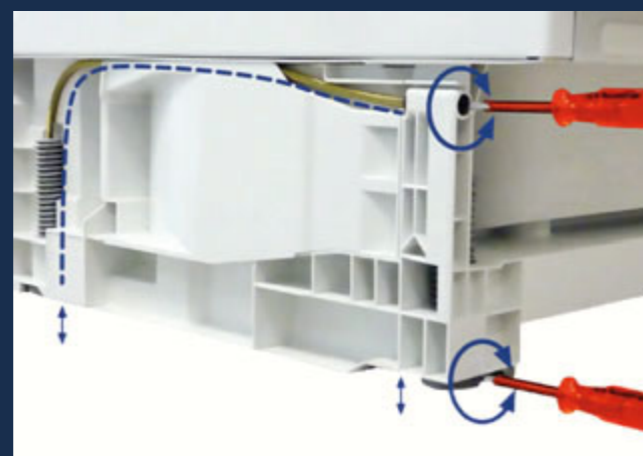


UIKP 1554



### Deep shelves

A lot of goods can be stored on the deep shelves, reducing the need to bend down when storing and removing items. The items are delivered to the customer. This is a great ergonomic advantage, especially for under-worktop appliances that are installed below the table edge.



### VarioBase

The VarioBase permits the adjustment of kitchen units in height and depth. All four height-adjustable feet permit adjustment from the front with a 60 mm range. In addition, the ventilation grille can be adjusted within a range of 55 mm to match the front of the kitchen units.

## Under-worktop refrigerators for integrated use



82-88

### UIKP 1554 Premium

Door-on-door / under-worktop appliance for integrated use

Energy efficiency class:	<b>E</b> <small>A G</small>
Energy consumption per year / 24 h:	<b>141 / 0.386 kWh</b>
Total volume <sup>1</sup> :	<b>119 l</b>
Volume:	<b>Fridge: 104.8 l / Freezer compartment: 15 l</b>
Noise output / Sound power level:	<b>33 dB(A) / B, SuperSilent</b>
Climate rating:	<b>SN-ST (from +10 °C to +38 °C)</b>
Aperture dimensions in cm (h/w/d):	<b>82 - 88 / 60 / at least 55.0</b>



#### Controls

- MagicEye, key electronics
- Digital temperature display for refrigerator compartment
- Door alarm fridge compartment: visual and acoustic

#### Fridge compartment

- Premium GlassLine shelving, extra deep, with bottle holder, removable VarioBoxes, adjustable egg tray, butter dish
- 2 GlassLine shelves
- LED lighting
- 1 large fruit/vegetable compartment
- Drawer box

#### Freezer compartment **E** A G

- Hinged 4-star freezer compartment door
- Ice cube tray
- Storage time in the event of power cut: 7 h
- Freezing capacity in 24 h: 3 kg

#### Key features

- Height-adjustable feet at front and rear
- Right hand hinge, reversible



82-88

### UIKP 1550 Premium

Door-on-door / under-worktop appliance for integrated use

Energy efficiency class:	<b>E</b> <small>A G</small>
Energy consumption per year / 24 h:	<b>92 / 0.252 kWh</b>
Total volume <sup>1</sup> :	<b>136 l</b>
Noise output / Sound power level:	<b>34 dB(A) / B, SuperSilent</b>
Climate rating:	<b>SN-ST (from +10 °C to +38 °C)</b>
Aperture dimensions in cm (h/w/d):	<b>82 - 88 / 60 / at least 55.0</b>



#### Controls

- MagicEye, key electronics
- Digital temperature display
- Door alarm fridge compartment: visual and acoustic

#### Fridge compartment

- Premium GlassLine shelving, extra deep, with bottle holder, removable VarioBox, adjustable egg tray, butter dish
- 3 GlassLine shelves
- LED ceiling lighting
- 1 large fruit/vegetable compartment
- Drawer box

#### Key features

- Height-adjustable feet at front and rear
- Right hand hinge, reversible

<sup>1</sup> In accordance with Regulation EU 2019/2016 we indicate the total volume to the nearest integer (rounded off) and the volume of the frozen compartments and refrigeration compartments to one place after the decimal point. You can find the full range of efficiency classes on page 13. According to (EU) 2017/1369 6a.



UIKo 1560



**UIKo 1560**  
Premium

Door-on-door / under-worktop appliance for integrated use

Energy efficiency class:	<b>F</b> <small>A G</small>
Energy consumption per year / 24 h:	<b>114 / 0.312 kWh</b>
Total volume <sup>1</sup> :	<b>132 l</b>
Noise output / Sound power level:	<b>35 dB(A) / B, SuperSilent</b>
Climate rating:	<b>SN-ST (from +10 °C to +38 °C)</b>
Aperture dimensions in cm (h/w/d):	<b>82 - 88 / 60 / at least 55.0</b>



**Controls**

- MagicEye, key electronics
- Digital temperature display
- Door alarm fridge compartment: visual and acoustic

**Fridge compartment**

- Butter dish
- 2 Premium GlassLine shelving, removable, with adjustable egg tray
- Bottle compartment, integrated in the lowest drawer
- LED ceiling lighting
- 1 large fruit/vegetable compartment
- LiftUp-Box

**Key features**

- Height-adjustable feet at front and rear
- Pull-out drawer, fully extendible



**UIKo 1550**  
Premium

Door-on-door / under-worktop appliance for integrated use

Energy efficiency class:	<b>F</b> <small>A G</small>
Energy consumption per year / 24 h:	<b>114 / 0.312 kWh</b>
Total volume <sup>1</sup> :	<b>132 l</b>
Noise output / Sound power level:	<b>35 dB(A) / B, SuperSilent</b>
Climate rating:	<b>SN-ST (from +10 °C to +38 °C)</b>
Aperture dimensions in cm (h/w/d):	<b>82 - 88 / 60 / at least 55.0</b>



**Controls**

- MagicEye, key electronics
- Digital temperature display
- Door alarm fridge compartment: visual and acoustic

**Fridge compartment**

- Butter dish
- 2 Premium GlassLine shelving, removable, with adjustable egg tray
- Bottle compartment, integrated in the lowest drawer
- LED ceiling lighting
- 1 large fruit/vegetable compartment

**Key features**

- Height-adjustable feet at front and rear
- Pull-out drawer, fully extendible



**LiftUp Box**

The LiftUp Box allows you to fully utilise the storage space below the pull-out drawer. It is ergonomically attached, easy to take out and can hold up to 4 kg. When pulled out, the LiftUp Box pushes up out of the base recess, allowing the food to be removed easily.



**Pull-out glass shelves**

Food is stored safely and easily accessible on the fully extendible pull-out glass shelves. The glass pull-out shelves made of safety glass are sturdy and easy to clean as well as being adjustable using practical rail dividers.

<sup>1</sup> In accordance with Regulation EU 2019/2016 we indicate the total volume to the nearest integer (rounded off) and the volume of the frozen compartments and refrigeration compartments to one place after the decimal point. You can find the full range of efficiency classes on page 13. According to (EU) 2017/1369 6a.



SUIG 1514 Comfort



### SuperSilent

Shhh – listen carefully. Your Liebherr is so quiet that you have to strain your ears to hear it. How is this achieved? All refrigeration components such as compressors, valves, fans and evaporators are optimised and perfectly adapted to one another. This means you only hear what you want to hear in your kitchen.



### VarioSpace

Want to store a multi-layer ice cream cake safely until the summer party? No problem for your Liebherr freezer: Sometimes you just need more space and it's prepared for just that. With VarioSpace you can remove individual freezer drawers and the horizontal glass dividers below them, and hey presto, you have an extra large storage space.



### SUIG 1554 Premium

Door-on-door / under-worktop appliance for integrated use

Energy efficiency class:	<b>E</b> <small>A G</small>
Energy consumption per year / 24 h:	<b>181 / 0.495 kWh</b>
Total volume <sup>1</sup> :	<b>79 l</b>
Noise output / Sound power level:	<b>35 dB(A) / B, SuperSilent</b>
Climate rating:	<b>SN-T (from +10 °C to +43 °C)</b>
Aperture dimensions in cm (h/w/d):	<b>82 - 88 / 60 / at least 55.0</b>

- No Frost
- Super Frost
- Soft System
- Vario Space

#### Controls

- MagicEye, key electronics
- Digital temperature display
- FrostControl
- Alarm in case of malfunction: visual and acoustic
- Door alarm freezer compartment: visual and acoustic

#### Freezer compartment **\*\*\***

- 3 drawers, of which 2 on roller tracks, VarioSpace
- Ice cube tray with lid
- Storage time in the event of power cut: 9 h
- Freezing capacity in 24 h: 8 kg
- 2 cold storage accumulators
- Safety glass fittings
- Removable tray (4 litres in the base recess)

#### Key features

- Side-panel heating on both sides, suitable for combination with other fridges, freezers and/or wine appliances
- Height-adjustable feet at front and rear
- Right hand hinge, reversible



### SUIG 1514 Comfort

Door-on-door / under-worktop appliance for integrated use

Energy efficiency class:	<b>E</b> <small>A G</small>
Energy consumption per year / 24 h:	<b>168 / 0.460 kWh</b>
Total volume <sup>1</sup> :	<b>95 l</b>
Noise output / Sound power level:	<b>35 dB(A) / B, SuperSilent</b>
Climate rating:	<b>SN-T (from +10 °C to +43 °C)</b>
Aperture dimensions in cm (h/w/d):	<b>82 - 88 / 60 / at least 55.0</b>

- Smart Frost
- Super Frost
- Vario Space

#### Controls

- MagicEye, key electronics
- Digital temperature display
- Alarm in case of malfunction: visual and acoustic
- Door alarm freezer compartment: visual and acoustic

#### Freezer compartment **\*\*\*\***

- 3 drawers, VarioSpace
- Storage time in the event of power cut: 10 h
- Freezing capacity in 24 h: 6 kg
- Safety glass fittings

#### Key features

- Side-panel heating on both sides, suitable for combination with other fridges, freezers and/or wine appliances
- Height-adjustable feet at front and rear
- Right hand hinge, reversible

<sup>1</sup> In accordance with Regulation EU 2019/2016 we indicate the total volume to the nearest integer (rounded off) and the volume of the frozen compartments and refrigeration compartments to one place after the decimal point. You can find the full range of efficiency classes on page 13. According to (EU) 2017/1369 6a.

# Wine fridges



# An overview of our Wine fridges

2 temperature zones

+5 °C to +20 °C

+5 °C to +20 °C



The **Vinidor range** offers maximum flexibility with two separately controlled temperature zones. The temperature of these can be set independently between +5 °C and +20 °C. This means that red and white wines can be stored at their ideal serving temperatures in the same fridge. These fridges not only provide the ideal climate conditions for long-term storage of wine, but with differently sized zones and fully adjustable temperature controls, they are suitable for every wine collection.

1 temperature zone

+20 °C

+5 °C

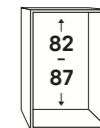
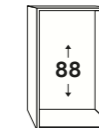
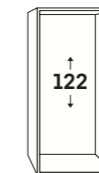
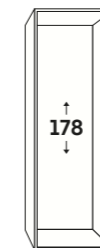


The **GrandCru range** storage fridges offer similar conditions to a wine cellar. This range facilitates the storage of red and white wines at the correct long term storage temperatures or individual serving temperatures. The temperature can be adjusted from +5 °C to +20 °C as appropriate, and is both even and constant throughout the entire appliance interior.

# Overview of product range according to niche and series

**Vinidor** 2 temperature zones

**GrandCru** 1 temperature zone



Dimensions in cm

	EW Tgb 3583 p. 142	EW Tgb 2383 p. 144	EW Tgb 1683 p. 146		WK Egb 582 p. 150
Multi-temperature wine fridge	EW Tgw 3583 p. 142	EW Tgw 2383 p. 144	EW Tgw 1683 p. 146		WK Egw 582 p. 150
	EW Tdf 3553 p. 143	EW Tdf 2353 p. 145	EW Tdf 1653 p. 147		WK Ees 553 p. 151
				UW Tgb 1682 p. 148	
Under-worktop wine fridges				UW Tes 1672 p. 148	
				UW Kes 1752 p. 149	
Under-worktop Beverage centre				UKes 1752 p. 149	

## Quality down to the finest detail



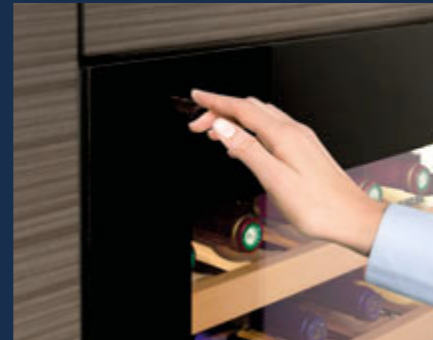
### Stainless steel frame

The high-quality, easy-to-fit stainless steel frame and handle enables all EWTdf models to be elegantly integrated into any kitchen. The robust stainless steel handle makes opening the door effortless. Available as an optional accessory kit for EWTdf 3553 (9901573-00), EWTdf 2353 (9901575-00), EWdf 1653 (9901577-00)



### SuperSilent

You've probably never heard of this Liebherr – simply because it is quieter than almost any other refrigerator. Its extra-low-noise design means it has virtually “unheard of” levels of quietness. Thanks to its maximum levels of noiselessness, it sets new standards even compared to the quietest refrigerators.



### TipOpen

The handle-free glazed door guarantees perfect integration into a handle-free kitchen. Not only provides UV protection you can trust but also ensures superb visibility of the stored wines. The TipOpen technology opens the glazed door 7 cm when tapped and, if the door is not opened further within three seconds, the soft-closing system will shut it again.



### Presentation shelf

The presentation shelf is ideal for keeping open bottles at the perfect temperature and without the risk of spills.



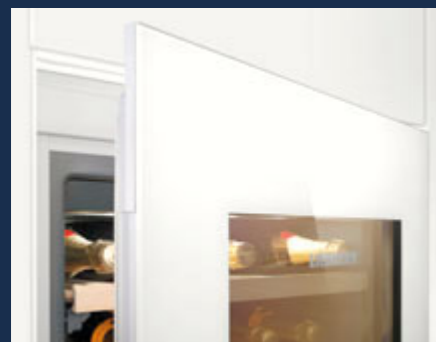
### FreshAir activated

The integrated FreshAir activated charcoal filter purifies the internal air and traps unpleasant odours. It is easy to replace and guarantees optimum air quality.



### Touch-electronic control

The electronic LCD display offers clear menu navigation and a Touch-electronic control system provides bespoke storage conditions. The digital temperature display can be read from the outside of appliances with glass doors. The Touch-electronic navigation ensures easy selection and use of the numerous control functions. The Vinidor dual zone models feature an integrated door seal in the dividing shelf to maintain correct individual temperatures.



### Tinted isolation glass door

The handle-free glazed door guarantees perfect integration into a handle-free kitchen. Not only provides UV protection you can trust but also ensures superb visibility of the stored wines.



### LED lighting

All wine fridges feature dimmable LED lighting, which evenly illuminates the interior and can be left on permanently if desired. Because LEDs generate minimal heat, wines can be sympathetically illuminated and beautifully presented for an extended period of time.



### SoftSystem

The SoftSystem feature provides added safety and convenience. Integrated within the door, the SoftSystem cushions movement when the door is closed. This SoftSystem ensures that the door closes gently even when fully loaded inside. The door automatically closes from an angle of approximately 30°.



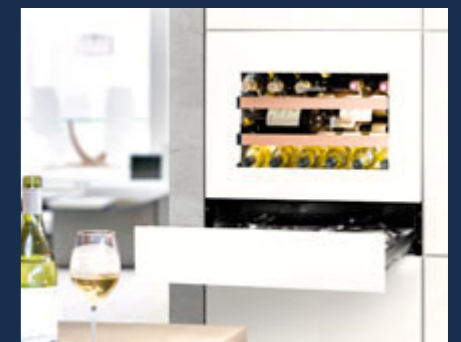
### Telescopic rails

The Vinidor appliances are equipped with solid wooden shelves mounted on telescopic rails. The handcrafted shelves made from untreated wood are ideal for storing Bordeaux bottles safely, providing a clear view and easy access.



### Clip-on labelling

The clip-on labelling system provides a quick and clear overview of your wine store.



### Accessories drawer

The easy-glide accessories drawer can be used to store accessories directly below wine storage fridges in the WKE 5 model range. This increases the 45 cm recess to a 60 cm one. Available in white glass (9901086-00), black glass (9901085-00) and stainless steel (9901084-00).

## Dual zone wine fridges for integrated use



**EWTgb 3583**  
Vinidor

Flush-fitted insulated glass door / built-in appliance for integrated use

Energy efficiency class:	<b>G</b>
Energy consumption per year / 24 h:	<b>178 / 0.487 kWh</b>
Max. Bordeaux bottles 0.75 l:	<b>83</b>
Total volume <sup>1</sup> :	<b>271 l</b>
Noise output / Sound power level:	<b>32 dB(A) / B, SuperSilent</b>
Climate rating:	<b>SN (from +10 °C to +32 °C)</b>
Door:	<b>Black insulated glass door, handle and frame-free</b>
Aperture dimensions in cm (h/w/d):	<b>177.2-178 / 56-57 / at least 55.0</b>



### Controls

- LC-Display, touch electronics
- Digital temperature display for both wine zones
- Alarm in case of malfunction: visual and acoustic
- Audible door alarm
- Child lock function

### Wine compartment

- 2 temperature zones, can be regulated between +5°C and +20°C
- 2 adjustable refrigeration circuits
- Convection cooling, FreshAir active carbon filter
- Humidity regulation via controllable ventilation
- LED Interior lighting with on/off function, dimmable
- Beechwood shelves
- 10 Shelves, of which 8 on telescopic rails, of which 1 is a presentation shelf

### Key features

- TipOpen
- Height-adjustable feet at front
- Right hand hinge, reversible
- Replaceable door seal
- Concealed hinge with restricted opening



**EWTgw 3583**  
Vinidor

Flush-fitted insulated glass door / built-in appliance for integrated use

Energy efficiency class:	<b>G</b>
Energy consumption per year / 24 h:	<b>178 / 0.487 kWh</b>
Max. Bordeaux bottles 0.75 l:	<b>83</b>
Total volume <sup>1</sup> :	<b>271 l</b>
Noise output / Sound power level:	<b>32 dB(A) / B, SuperSilent</b>
Climate rating:	<b>SN (from +10 °C to +32 °C)</b>
Door:	<b>White insulated glass door, handle and frame-free</b>
Aperture dimensions in cm (h/w/d):	<b>177.2-178 / 56-57 / at least 55.0</b>



### Controls

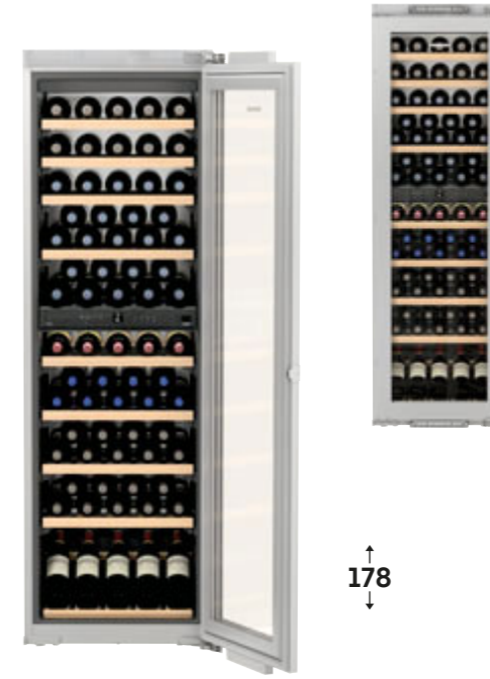
- LC-Display, touch electronics
- Digital temperature display for both wine zones
- Alarm in case of malfunction: visual and acoustic
- Audible door alarm
- Child lock function

### Wine compartment

- 2 temperature zones, can be regulated between +5°C and +20°C
- 2 adjustable refrigeration circuits
- Convection cooling, FreshAir active carbon filter
- Humidity regulation via controllable ventilation
- LED Interior lighting with on/off function, dimmable
- Beechwood shelves
- 10 Shelves, of which 8 on telescopic rails, of which 1 is a presentation shelf

### Key features

- TipOpen
- Height-adjustable feet at front
- Right hand hinge, reversible
- Replaceable door seal
- Concealed hinge with restricted opening



**EWTdf 3553**  
Vinidor

Door-on-door / built-in appliance with décor panel

Energy efficiency class:	<b>G</b>
Energy consumption per year / 24 h:	<b>176 / 0.482 kWh</b>
Max. Bordeaux bottles 0.75 l:	<b>80</b>
Total volume <sup>1</sup> :	<b>254 l</b>
Noise output / Sound power level:	<b>32 dB(A) / B, SuperSilent</b>
Climate rating:	<b>SN-ST (from +10 °C to +38 °C)</b>
Door:	<b>Silver / Insulated glass door prepared for fridge door</b>
Aperture dimensions in cm (h/w/d):	<b>177.2-178 / 56-57 / at least 55.0</b>



### Controls

- LC-Display, touch electronics
- Digital temperature display for both wine zones
- Alarm in case of malfunction: visual and acoustic
- Audible door alarm
- Child lock function

### Wine compartment

- 2 temperature zones, can be regulated between +5°C and +20°C
- 2 adjustable refrigeration circuits
- Convection cooling, FreshAir active carbon filter
- Humidity regulation via controllable ventilation
- LED Interior lighting with on/off function, dimmable
- Beechwood shelves
- 10 Shelves, of which 8 on telescopic rails, of which 1 is a presentation shelf

### Key features

- Height-adjustable feet at front
- Right hand hinge, reversible
- Replaceable door seal
- Concealed hinge with restricted opening

Stainless steel frame and handle available as optional accessory (9901573-00)

<sup>1</sup> In accordance with Regulation EU 2019/2016 we indicate the total volume to the nearest integer (rounded off) and the volume of the frozen compartments and refrigeration compartments to one place after the decimal point.

You can find the full range of efficiency classes on page 13. According to (EU) 2017/1369 6a.

## Dual zone wine fridges for integrated use



### SuperSilent

You've probably never heard of this Liebherr – simply because it is quieter than almost any other refrigerator. Its extra-low-noise design means it has virtually “unheard of” levels of quietness. Thanks to its maximum levels of noiselessness, it sets new standards even compared to the quietest refrigerators.



### FreshAir activated

The integrated FreshAir activated charcoal filter purifies the internal air and traps unpleasant odours. It is easy to replace and guarantees optimum air quality.





↑  
122  
↓

**EWTgb 2383**  
Vinidor

Flush-fitted insulated glass door / built-in appliance for integrated use

Energy efficiency class:	<b>G</b>
Energy consumption per year / 24 h:	<b>160 / 0.438 kWh</b>
Max. Bordeaux bottles 0.75 l:	<b>51</b>
Total volume <sup>1</sup> :	<b>169 l</b>
Noise output / Sound power level:	<b>31 dB(A) / B, SuperSilent</b>
Climate rating:	<b>SN (from +10 °C to +32 °C)</b>
Door:	<b>Black insulated glass door, handle and frame-free</b>
Aperture dimensions in cm (h/w/d):	<b>122-123.6 / 56-57 / at least 55.0</b>



**Controls**

- LC-Display, touch electronics
- Digital temperature display for both wine zones
- Alarm in case of malfunction: visual and acoustic
- Audible door alarm
- Child lock function

**Wine compartment**

- 2 temperature zones, can be regulated between +5°C and +20°C
- 2 adjustable refrigeration circuits
- Convection cooling, FreshAir active carbon filter
- Humidity regulation via controllable ventilation
- LED lighting with on/off function, dimmable
- Beechwood shelves
- 6 Shelves, of which 4 on telescopic rails, of which 1 is a presentation shelf

**Key features**

- TipOpen
- Height-adjustable feet at front
- Right hand hinge, reversible
- Replaceable door seal
- Concealed hinge with restricted opening



↑  
122  
↓

**EWTgw 2383**  
Vinidor

Flush-fitted insulated glass door / built-in appliance for integrated use

Energy efficiency class:	<b>G</b>
Energy consumption per year / 24 h:	<b>160 / 0.438 kWh</b>
Max. Bordeaux bottles 0.75 l:	<b>51</b>
Total volume <sup>1</sup> :	<b>169 l</b>
Noise output / Sound power level:	<b>32 dB(A) / B, SuperSilent</b>
Climate rating:	<b>SN (from +10 °C to +32 °C)</b>
Door:	<b>White insulated glass door, handle and frame-free</b>
Aperture dimensions in cm (h/w/d):	<b>122-123.6 / 56-57 / at least 55.0</b>



**Controls**

- LC-Display, touch electronics
- Digital temperature display for both wine zones
- Alarm in case of malfunction: visual and acoustic
- Audible door alarm
- Child lock function

**Wine compartment**

- 2 temperature zones, can be regulated between +5°C and +20°C
- 2 adjustable refrigeration circuits
- Convection cooling, FreshAir active carbon filter
- Humidity regulation via controllable ventilation
- LED Interior lighting with on/off function, dimmable
- Beechwood shelves
- 6 Shelves, of which 4 on telescopic rails, of which 1 is a presentation shelf

**Key features**

- TipOpen
- Height-adjustable feet at front
- Right hand hinge, reversible
- Replaceable door seal
- Concealed hinge with restricted opening



↑  
122  
↓

**EWTdf 2353**  
Vinidor

Door-on-door / built-in appliance with décor panel

Energy efficiency class:	<b>G</b>
Energy consumption per year / 24 h:	<b>158 / 0.432 kWh</b>
Max. Bordeaux bottles 0.75 l:	<b>48</b>
Total volume <sup>1</sup> :	<b>158 l</b>
Noise output / Sound power level:	<b>32 dB(A) / B, SuperSilent</b>
Climate rating:	<b>SN-ST (from +10 °C to +38 °C)</b>
Door:	<b>Silver / Insulated glass door prepared for fridge door</b>
Aperture dimensions in cm (h/w/d):	<b>122-123.6 / 56-57 / at least 55.0</b>



**Controls**

- LC-Display, touch electronics
- Digital temperature display for both wine zones
- Alarm in case of malfunction: visual and acoustic
- Audible door alarm
- Child lock function

**Wine compartment**

- 2 temperature zones, can be regulated between +5°C and +20°C
- 2 adjustable refrigeration circuits
- Convection cooling, FreshAir active carbon filter
- Humidity regulation via controllable ventilation
- LED Interior lighting with on/off function, dimmable
- Beechwood shelves
- 6 Shelves, of which 4 on telescopic rails, of which 1 is a presentation shelf

**Key features**

- Height-adjustable feet at front
- Right hand hinge, reversible
- Replaceable door seal
- Concealed hinge with restricted opening

Stainless steel frame and handle available as optional accessory (9901575-00)

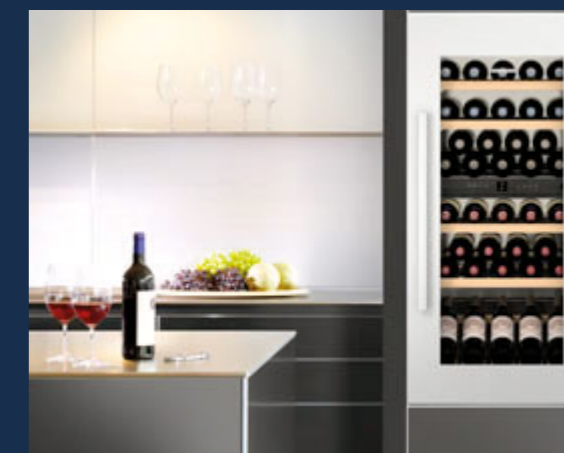
<sup>1</sup> In accordance with Regulation EU 2019/2016 we indicate the total volume to the nearest integer (rounded off) and the volume of the frozen compartments and refrigeration compartments to one place after the decimal point.

You can find the full range of efficiency classes on page 13. According to (EU) 2017/1369 6a.



**Presentation shelf**

The presentation shelf is ideal for keeping open bottles at the perfect temperature and without the risk of spills.



**Stainless steel frame and handle**

The high-quality, easy-to-fit stainless steel frame and handle enables all EWTdf models to be elegantly integrated into any kitchen. The robust stainless steel handle makes opening the door effortless.

Available as an optional accessory kit for EWTdf 3553 (9901573-00), EWTdf 2353 (9901575-00), EWTdf 1653 (9901577-00)

Please check with your kitchen installer that the cabinetry will accommodate the weight of the EWT.. 23.. models when fully loaded.



88

**EWTgb 1683**  
Vinidor

Flush-fitted insulated glass door / built-in appliance for integrated use

Energy efficiency class:	<b>G</b>
Energy consumption per year / 24 h:	<b>151 / 0.413 kWh</b>
Max. Bordeaux bottles 0.75 l:	<b>33</b>
Total volume <sup>1</sup> :	<b>104 l</b>
Noise output / Sound power level:	<b>32 dB(A) / B, SuperSilent</b>
Climate rating:	<b>SN (from +10 °C to +32 °C)</b>
Door:	<b>Black insulated glass door, handle and frame-free</b>
Aperture dimensions in cm (h/w/d):	<b>87.4-89 / 56-57 / at least 55.0</b>



**Controls**

- LC-Display, touch electronics
- Digital temperature display for both wine zones
- Alarm in case of malfunction: visual and acoustic
- Audible door alarm
- Child lock function

**Wine compartment**

- 2 temperature zones, can be regulated between +5°C and +20°C
- 2 adjustable refrigeration circuits
- Convection cooling, FreshAir active carbon filter
- Humidity regulation via controllable ventilation
- LED Interior lighting with on/off function, dimmable
- Beechwood shelves
- 4 Shelves, of which 2 on telescopic rails, of which 1 is a presentation shelf

**Key features**

- TipOpen
- Height-adjustable feet at front
- Right hand hinge, reversible
- Concealed hinge with restricted opening



88

**EWTgw 1683**  
Vinidor

Flush-fitted insulated glass door / built-in appliance for integrated use

Energy efficiency class:	<b>G</b>
Energy consumption per year / 24 h:	<b>151 / 0.413 kWh</b>
Max. Bordeaux bottles 0.75 l:	<b>33</b>
Total volume <sup>1</sup> :	<b>104 l</b>
Noise output / Sound power level:	<b>32 dB(A) / B, SuperSilent</b>
Climate rating:	<b>SN (from +10 °C to +32 °C)</b>
Door:	<b>White insulated glass door, handle and frame-free</b>
Aperture dimensions in cm (h/w/d):	<b>87.4-89 / 56-57 / at least 55.0</b>



**Controls**

- LC-Display, touch electronics
- Digital temperature display for both wine zones
- Alarm in case of malfunction: visual and acoustic
- Audible door alarm
- Child lock function

**Wine compartment**

- 2 temperature zones, can be regulated between +5°C and +20°C
- 2 adjustable refrigeration circuits
- Convection cooling, FreshAir active carbon filter
- Humidity regulation via controllable ventilation
- LED Interior lighting with on/off function, dimmable
- Beechwood shelves
- 4 Shelves, of which 2 on telescopic rails, of which 1 is a presentation shelf

**Key features**

- TipOpen
- Height-adjustable feet at front
- Right hand hinge, reversible
- Concealed hinge with restricted opening



88

**EWTdf 1653**  
Vinidor

Door-on-door / built-in appliance with décor panel

Energy efficiency class:	<b>G</b>
Energy consumption per year / 24 h:	<b>150 / 0.411 kWh</b>
Max. Bordeaux bottles 0.75 l:	<b>30</b>
Total volume <sup>1</sup> :	<b>97 l</b>
Noise output / Sound power level:	<b>32 dB(A) / B, SuperSilent</b>
Climate rating:	<b>SN-ST (from +10 °C to +38 °C)</b>
Door:	<b>Silver / Insulated glass door prepared for fridge door</b>
Aperture dimensions in cm (h/w/d):	<b>87.4-89 / 56-57 / at least 55.0</b>



**Controls**

- LC-Display, touch electronics
- Digital temperature display for both wine zones
- Alarm in case of malfunction: visual and acoustic
- Audible door alarm
- Child lock function

**Wine compartment**

- 2 temperature zones, can be regulated between +5°C and +20°C
- 2 adjustable refrigeration circuits
- Convection cooling, FreshAir active carbon filter
- Humidity regulation via controllable ventilation
- LED Interior lighting with on/off function, dimmable
- Beechwood shelves
- 4 Shelves, of which 2 on telescopic rails, of which 1 is a presentation shelf

**Key features**

- Height-adjustable feet at front
- Right hand hinge, reversible
- Concealed hinge with restricted opening

Stainless steel frame and handle available as optional accessory (9901575-00)

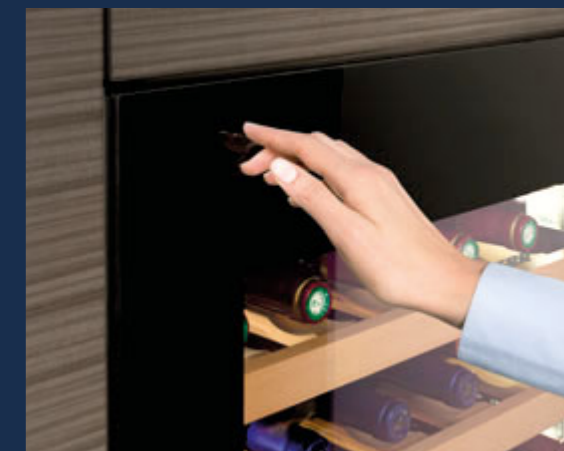
<sup>1</sup> In accordance with Regulation EU 2019/2016 we indicate the total volume to the nearest integer (rounded off) and the volume of the frozen compartments and refrigeration compartments to one place after the decimal point.

You can find the full range of efficiency classes on page 13. According to (EU) 2017/1369 6a.



**SoftSystem**

The SoftSystem feature provides added safety and convenience. Integrated within the door, the SoftSystem cushions movement when the door is closed. This SoftSystem ensures that the door closes gently even when fully loaded inside. The door automatically closes from an angle of approximately 30°.



**TipOpen**

The handle-free glazed door guarantees perfect integration into a handle-free kitchen. Not only provides UV protection you can trust but also ensures superb visibility of the stored wines. The TipOpen technology opens the glazed door 7 cm when tapped and, if the door is not opened further within three seconds, the soft-closing system will shut it again.

Please check with your kitchen installer that the cabinetry will accommodate the weight of the EWT.. 16.. models when fully loaded.



82-87

**UWTgb 1682**  
Vinidor

Flush / under-worktop appliance

Energy efficiency class:	<b>G</b>
Energy consumption per year / 24 h:	<b>138 / 0.378 kWh</b>
Max. Bordeaux bottles 0.75 l:	<b>34</b>
Total volume <sup>1</sup> :	<b>94 l</b>
Noise output / Sound power level:	<b>35 dB(A) / B, SuperSilent</b>
Climate rating:	<b>SN-ST (from +10 °C to +38 °C)</b>
Door:	<b>Black insulated glass door, handle and frame-free</b>
Aperture dimensions in cm (h/w/d):	<b>82-87 / 60 / at least 58.0</b>



**Controls**

- LC-Display, touch electronics
- Digital temperature display for both wine zones
- Alarm in case of malfunction: visual and acoustic
- Audible door alarm
- Child lock function

**Wine compartment**

- 2 temperature zones, can be regulated between +5°C and +20°C
- 2 adjustable refrigeration circuits
- Convection cooling, FreshAir active carbon filter
- Humidity regulation via controllable ventilation
- LED lighting with on/off function, dimmable
- Beechwood shelves
- 5 shelves, of which 3 on telescopic rails

**Key features**

- TipOpen
- Height-adjustable feet at front and rear
- Right hand hinge, reversible
- Concealed hinge with restricted opening



82-87

**UWTes 1672**  
Vinidor

Flush / under-worktop appliance

Energy efficiency class:	<b>G</b>
Energy consumption per year / 24 h:	<b>142 / 0.389 kWh</b>
Max. Bordeaux bottles 0.75 l:	<b>34</b>
Total volume <sup>1</sup> :	<b>94 l</b>
Noise output / Sound power level:	<b>38 dB(A) / C</b>
Climate rating:	<b>SN-ST (from +10 °C to +38 °C)</b>
Door:	<b>Insulated glass door with stainless steel frame / stainless steel</b>
Aperture dimensions in cm (h/w/d):	<b>82-87 / 60 / at least 58.0</b>



**Controls**

- MagicEye, key electronics
- Digital temperature display for both wine zones
- Alarm in case of malfunction: visual and acoustic
- Audible door alarm
- Child lock function

**Wine compartment**

- 2 temperature zones, can be regulated between +5°C and +20°C
- 2 adjustable refrigeration circuits
- Convection cooling, FreshAir active carbon filter
- Humidity regulation via controllable ventilation
- LED lighting with on/off function, dimmable
- Beechwood shelves
- 5 shelves, of which 3 on telescopic rails

**Key features**

- Aluminium handles
- Height-adjustable feet at front and rear
- Right hand hinge, reversible



82-87

**UWKes 1752**  
GrandCru

Flush / under-worktop appliance

Energy efficiency class:	<b>G</b>
Energy consumption per year / 24 h:	<b>139 / 0.380 kWh</b>
Max. Bordeaux bottles 0.75 l:	<b>46</b>
Total volume <sup>1</sup> :	<b>110 l</b>
Noise output / Sound power level:	<b>38 dB(A) / C</b>
Climate rating:	<b>SN-ST (from +10 °C to +38 °C)</b>
Door:	<b>Insulated glass door with stainless steel frame / stainless steel</b>
Aperture dimensions in cm (h/w/d):	<b>82-87 / 60-61 / at least 58.0</b>



**Controls**

- MagicEye, key electronics
- Digital temperature display
- Alarm in case of malfunction: visual and acoustic
- Audible door alarm
- Child lock function

**Wine compartment**

- 1 temperature zone, can be regulated between +5°C and +20°C
- 1 adjustable refrigeration circuit
- Convection cooling, FreshAir active carbon filter
- Humidity regulation via controllable ventilation
- LED lighting with on/off function
- Beechwood shelves
- 4 shelves, of which 3 on telescopic rails

**Key features**

- Aluminium handles
- Height-adjustable feet at front and rear
- Right hand hinge, reversible



82-87

**UKes 1752**  
GrandCru

Flush / built-in appliance for integrated use

Energy efficiency class:	<b>G</b>
Energy consumption per year / 24 h:	<b>201 / 0.550 kWh</b>
Total volume <sup>1</sup> :	<b>110 l</b>
Noise output / Sound power level:	<b>39 dB(A) / C</b>
Aperture dimensions in cm (h/w/d):	<b>82-87 / 60-61 / at least 58.0</b>



**Controls**

- MagicEye, key electronics
- Digital temperature display
- Alarm in case of malfunction: visual and acoustic
- Audible door alarm
- Child lock function

**Wine compartment**

- 1 temperature zone, can be regulated between +2°C and +20°C
- 1 adjustable refrigeration circuit
- Convection cooling
- Humidity regulation via controllable ventilation
- 4 shelves, of which 1 on telescopic rails

**Key features**

- Aluminium handles
- Height-adjustable feet at front and rear
- Right hand hinge, reversible

<sup>1</sup> In accordance with Regulation EU 2019/2016 we indicate the total volume to the nearest integer (rounded off) and the volume of the frozen compartments and refrigeration compartments to one place after the decimal point.

You can find the full range of efficiency classes on page 13. According to (EU) 2017/1369 6a.



**WKEgb 582**  
GrandCru

Flush-fitted insulated glass door / built-in appliance for integrated use

Energy efficiency class:	<b>G</b>
Energy consumption per year / 24 h:	<b>116 / 0.317 kWh</b>
Max. Bordeaux bottles 0.75 l:	<b>18*</b>
Total volume <sup>1</sup> :	<b>47 l</b>
Noise output / Sound power level:	<b>32 dB(A) / B, SuperSilent</b>
Climate rating:	<b>SN-ST (from +10 °C to +38 °C)</b>
Door:	<b>Black insulated glass door, handle and frame-free</b>
Aperture dimensions in cm (h/w/d):	<b>45-45.2 / 56-57 / at least 55.0</b>



**Controls**

- LC-Display, touch electronics
- Digital temperature display
- Alarm in case of malfunction: visual and acoustic
- Audible door alarm
- Child lock function

**Wine compartment**

- 1 temperature zone, can be regulated between +5°C and +20°C
- 1 adjustable refrigeration circuit
- Convection cooling, FreshAir active carbon filter
- Humidity regulation via controllable ventilation
- LED lighting with on/off function, dimmable
- Beechwood shelves
- 3 shelves, of which 2 on telescopic rails

**Key features**

- Folding door with TipOpen technology
- Concealed hinge with restricted opening

\* Max. 18 Bordeaux bottles for front to back storage.  
Taller bottles can be stored side on (max. 12 Bordeaux bottles).



**WKEgw 582**  
GrandCru

Flush-fitted insulated glass door / built-in appliance for integrated use

Energy efficiency class:	<b>G</b>
Energy consumption per year / 24 h:	<b>116 / 0.317 kWh</b>
Max. Bordeaux bottles 0.75 l:	<b>18 *</b>
Total volume <sup>1</sup> :	<b>47 l</b>
Noise output / Sound power level:	<b>32 dB(A) / B, SuperSilent</b>
Climate rating:	<b>SN-ST (from +10 °C to +38 °C)</b>
Door:	<b>White insulated glass door, handle and frame-free</b>
Aperture dimensions in cm (h/w/d):	<b>45-45.2 / 56-57 / at least 55.0</b>



**Controls**

- LC-Display, touch electronics
- Digital temperature display
- Alarm in case of malfunction: visual and acoustic
- Audible door alarm
- Child lock function

**Wine compartment**

- 1 temperature zone, can be regulated between +5°C and +20°C
- 1 adjustable refrigeration circuit
- Convection cooling, FreshAir active carbon filter
- Humidity regulation via controllable ventilation
- LED lighting with on/off function, dimmable
- Beechwood shelves
- 3 shelves, of which 2 on telescopic rails

**Key features**

- Folding door with TipOpen technology
- Concealed hinge with restricted opening

\* Max. 18 Bordeaux bottles for front to back storage.  
Taller bottles can be stored side on (max. 12 Bordeaux bottles).



**WKEes 553**  
GrandCru

Flächenbündig / integrierbares Einbaugerät

Energy efficiency class:	<b>G</b>
Energy consumption per year / 24 h:	<b>140 / 0.383 kWh</b>
Max. Bordeaux bottles 0.75 l:	<b>18**</b>
Total volume <sup>1</sup> :	<b>51 l</b>
Noise output / Sound power level:	<b>32 dB(A) / B, SuperSilent</b>
Climate rating:	<b>SN (from +10 °C to +32 °C)</b>
Door:	<b>Insulated glass door with stainless steel frame, handle and frame-free</b>
Aperture dimensions in cm (h/w/d):	<b>45 / 56 / at least 55.0</b>



**Controls**

- LC-Display, touch electronics
- Digital temperature display
- Alarm in case of malfunction: visual and acoustic
- Audible door alarm
- Child lock function

**Wine compartment**

- 1 temperature zone, can be regulated between +5°C and +20°C
- 1 adjustable refrigeration circuit
- Convection cooling, FreshAir active carbon filter
- Humidity regulation via controllable ventilation
- LED lighting with on/off function, dimmable
- Beechwood shelves
- 3 shelves, of which 2 on telescopic rails

**Key features**

- Recessed grip
- Right hand hinge, reversible

\*\* Max. 18 Bordeaux bottles for front to back storage.  
Taller bottles can be stored side on using the brackets provided (max. 12 Bordeaux bottles).



**Accessories drawer**

The easy-glide accessories drawer can be used to store accessories directly below wine storage fridges in the WKE 5 model range. This increases the 45 cm recess to 60 cm. Available in white glass (9901086-00), black glass (9901085-00) and stainless steel (9901084-00).



**LED lighting**

All wine fridges feature dimmable LED lighting, which evenly illuminates the interior and can be left on permanently if desired. Because LEDs generate minimal heat, wines can be sympathetically illuminated and beautifully presented for an extended period of time.

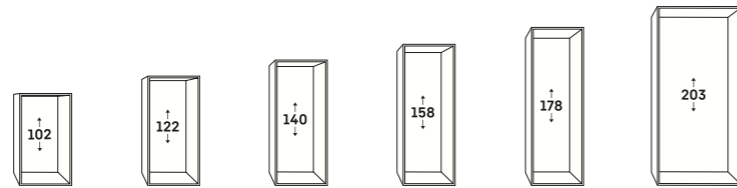
<sup>1</sup> In accordance with Regulation EU 2019/2016 we indicate the total volume to the nearest integer (rounded off) and the volume of the frozen compartments and refrigeration compartments to one place after the decimal point.

You can find the full range of efficiency classes on page 13. According to (EU) 2017/1369 6a.



### Aperture dimensions

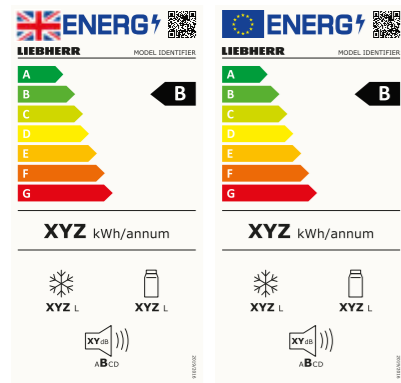
The dimensions for fully integrated appliances are industry standard. The aperture dimensions provide information about the appliance size or height. The exact dimensions of each appliance can be seen in the installation diagrams on the pages that follow.



**SN** from +10 °C to +32 °C  
**ST** from +16 °C to +38 °C  
**N** from +16 °C to +32 °C  
**T** from +16 °C to +43 °C

### Climate class

The climate rating specifies the ambient temperature for which the appliances are guaranteed to work normally. The following climate ratings have been defined (pursuant to DIN EN ISO 15502):



### Outstanding energy efficiency

By combining state-of-the-art, precision electronics and highly efficient refrigeration systems, Liebherr offers an attractive and ultra-economical range of appliances in the best energy efficiency classes across all product groups. Liebherr offers products with the greatest possible energy savings. You can find the full range of efficiency classes on page 13. According to (EU) 2017/1369 6a.

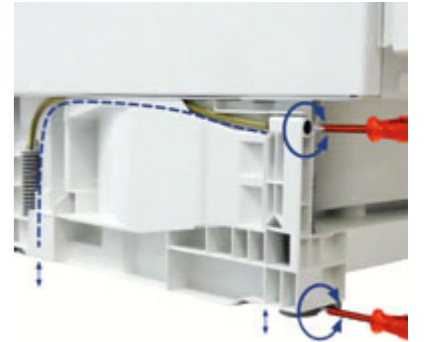
### Four-point attachment

So that our fully integrated fridges can be installed correctly, we provide special four-point fixing as standard for all our door-on-door appliances. The fixing points are attractively concealed with covers and the attachment brackets create a depth stop at the top and bottom. This alignment device ensures that the appliance is correctly positioned within the kitchen unit. Taller appliances with a height of 140 cm or more also come with two height-adjustable positioning feet at the front.



### Vario plinth

The Vario plinth makes it possible to adapt under-worktop models (UIK, SUIG, UWT and UWK) to the height and depth of the kitchen units. All four positioning feet can be adjusted by up to 50 mm from the front. The position of the ventilation grille can also be adjusted to match the front of the kitchen units; it can be moved by up to 55 mm.



### Levelling bars

Taller appliances with a height of 140 cm or more have two levelling bars on the left and right of the base. These make it possible to correctly level position the appliance and thereby ensure that the door closes correctly so that the appliance works properly.



### Front air intake and ventilation

To ensure that the refrigeration system is cooled and the appliance operates correctly, fully integrated appliances must be adequately ventilated. Depending on the model and the installation location:

- 1 – Fully integrated appliances in non-ceiling height kitchen units.  
Front air intake in the plinth, venting via the back wall of the kitchen unit.
- 2 – Fully integrated appliances in ceiling height kitchen units.  
Front air intake in the plinth, venting via ventilation slots at the top.
- 3 – In the case of individual fully integrated appliances installed one above the other (Freshness Centre/SBS Concept, see pages 32-35) ventilation takes place as described in 1 and 2.
- 4 – Fully integrated appliances with both air intake and venting at the front.
- 5 – Under-worktop appliances with front air intake in the plinth.  
Venting via ventilation slots at the top.
- 6 – Under-worktop appliances with both air intake and venting at the front.

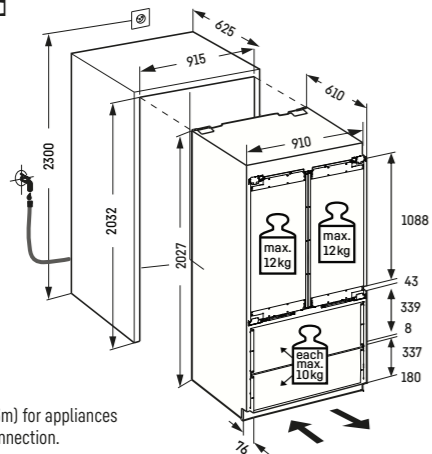
Please note: All ventilation slots must be at least 200 cm<sup>2</sup>.



Diagrams

↑ 203 [mm]

ECBN 6256 \*\*\*\*

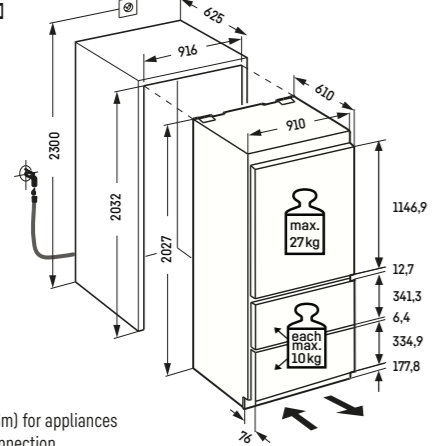


Reinforced flexible hose (3m) for appliances with a 3/4" plumbed-in connection.

NB: The cupboard door is attached to the appliance door (door on door assembly). No cupboard hinges required.

↑ 203 [mm]

ECBN 6156 \*\*\*\*

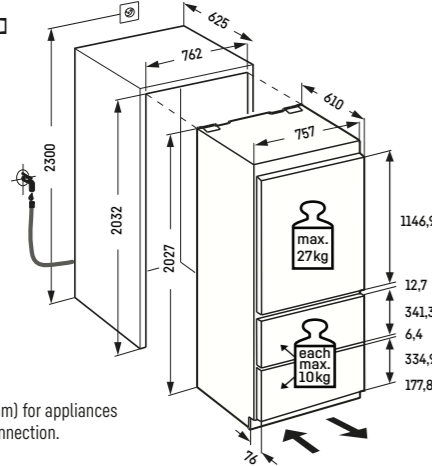


Reinforced flexible hose (3m) for appliances with a 3/4" plumbed-in connection.

NB: The cupboard door is attached to the appliance door (door on door assembly). No cupboard hinges required.

↑ 203 [mm]

ECBN 5066 \*\*\*\*



Reinforced flexible hose (3m) for appliances with a 3/4" plumbed-in connection.

NB: The cupboard door is attached to the appliance door (door on door assembly). No cupboard hinges required.

↑ 178 [mm]

Plumbed-in connection

ECBN 6256 \*\*\*\*

Plumbed-in connection

ECBN 6156 \*\*\*\*

ECBN 5066 \*\*\*\*



Fixed water connection (3/4") required for automatic ice-cube maker. Reinforced flexible hose (3m) for appliances with a 3/4" plumbed-in connection.

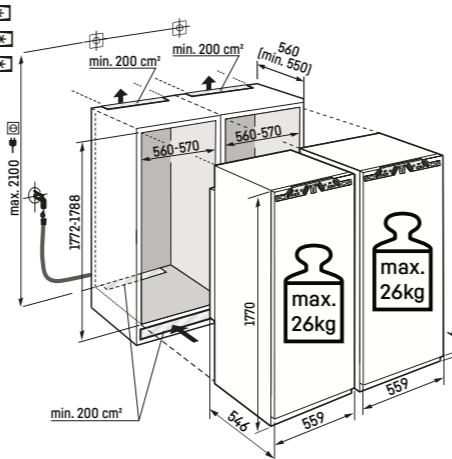
↑ 178 [mm]

IXRF 5186 \*\*\*\*

IXRF 5175 \*\*\*\*

IXRF 5185 \*\*\*\*

IXRF 5165 \*\*\*\*



NB: The cupboard door is attached to the appliance door (door on door assembly). No cupboard hinges required.

Plumbed-in connection

IXRF 5186 \*\*\*\*

IXRF 5175 \*\*\*\*

IXRF 5185 \*\*\*\*

IXRF 5165 \*\*\*\*

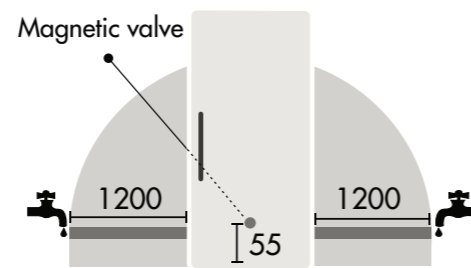
IXRFA 5175 \*\*\*\*

IRBAd 5190 \*\*\*\*

SIFNAe 5188 \*\*\*\*

SIFNe 5188 \*\*\*\*

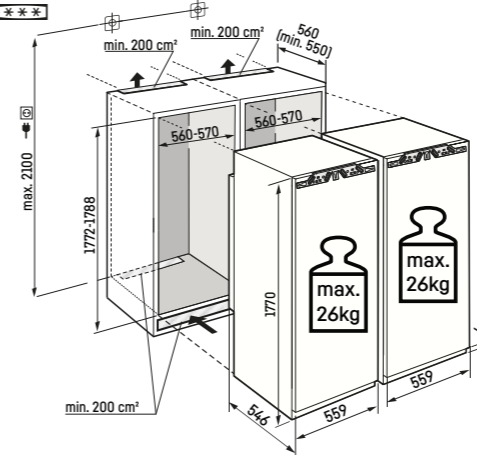
IRBdi 5180



↑ 178 [mm]

IXRF 5125 \*\*\*\*

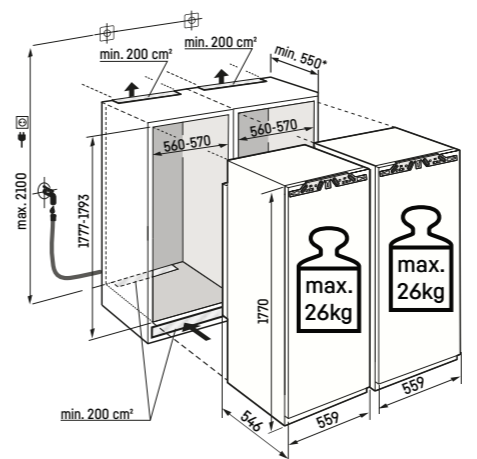
IXRF 5100 \*\*\*\*



NB: The cupboard door is attached to the appliance door (door on door assembly). No cupboard hinges required.

↑ 178 [mm]

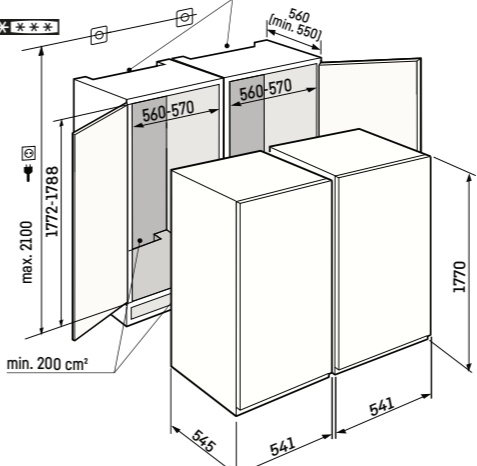
IXRFA 5175 \*\*\*\*



NB: The cupboard door is attached to the appliance door (door on door assembly). No cupboard hinges required.

↑ 178 [mm]

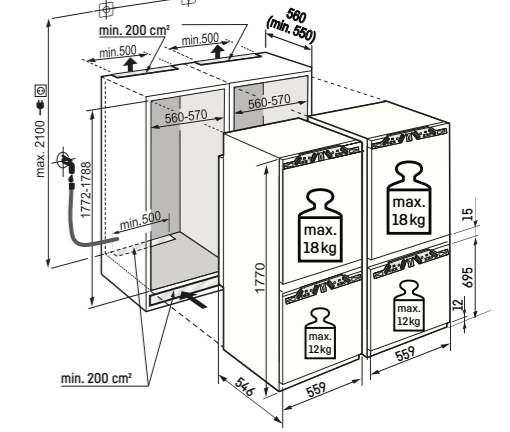
IXRFS 5125 \*\*\*\*



NB: The cupboard door is attached to the appliance door (door on door assembly). No cupboard hinges required.

↑ 178 [mm]

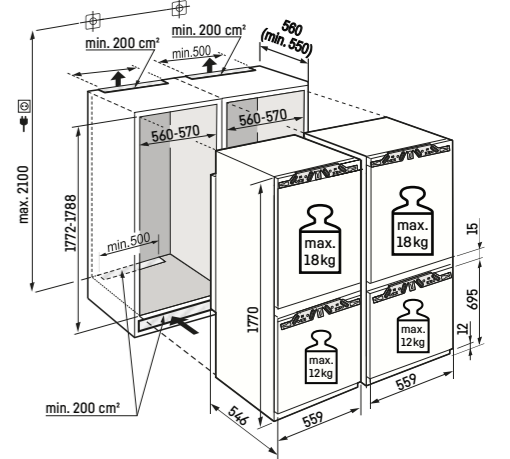
IXCC 5165 \*\*\*\*



NB: The cupboard door is attached to the appliance door (door on door assembly). No cupboard hinges required.

↑ 178 [mm]

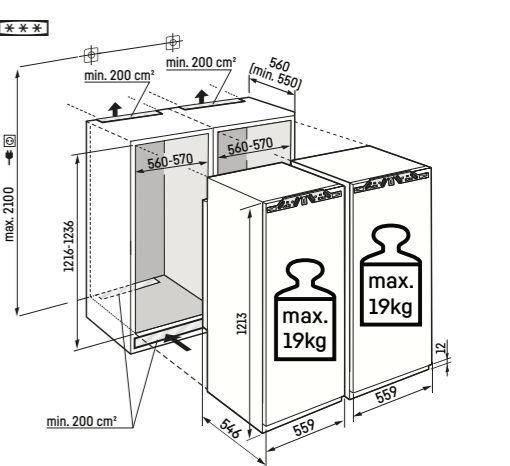
IXCC 5155 \*\*\*\*



NB: The cupboard door is attached to the appliance door (door on door assembly). No cupboard hinges required.

↑ 122 [mm]

IXRF 4155 \*\*\*\*

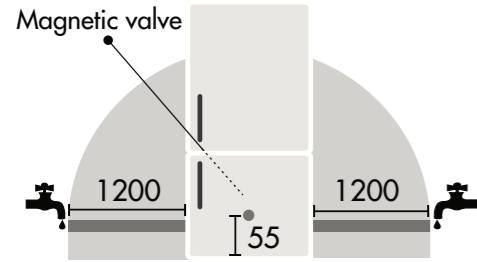


NB: The cupboard door is attached to the appliance door (door on door assembly). No cupboard hinges required.

Diagrams

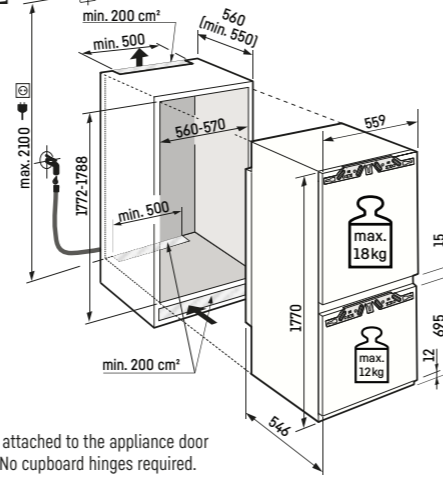
Plumbed-in connection

- ICBNdi 5183 \*\*\*\*
- ICBNd 5163 \*\*\*\*
- IXCC 5165 \*\*\*\*
- ICNdi 5173 \*\*\*\*



178 [mm]

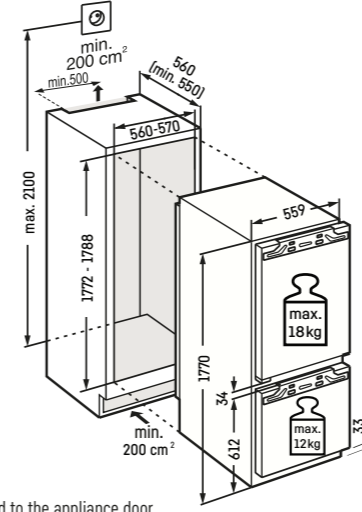
- ICBNdi 5183 \*\*\*\*
- ICBNd 5163 \*\*\*\*
- ICNdi 5173 \*\*\*\*



NB: The cupboard door is attached to the appliance door (door on door assembly). No cupboard hinges required.

178 [mm]

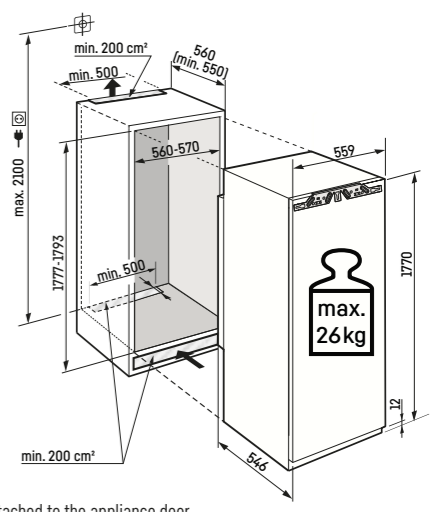
- IRCBf 5121 \*\*\*\*



The cupboard door is attached to the appliance door (door on door assembly). No cupboard hinges required.

178 [mm]

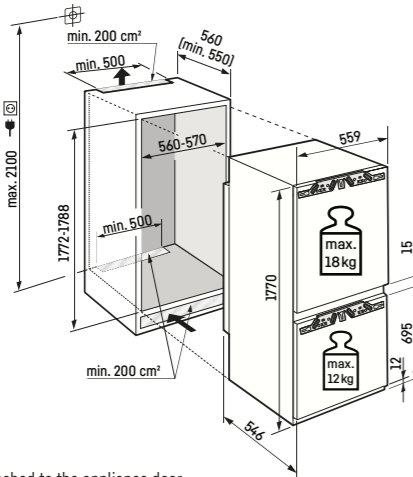
- IRBAd 5171 \*\*\*\*



NB: The cupboard door is attached to the appliance door (door on door assembly). No cupboard hinges required.

178 [mm]

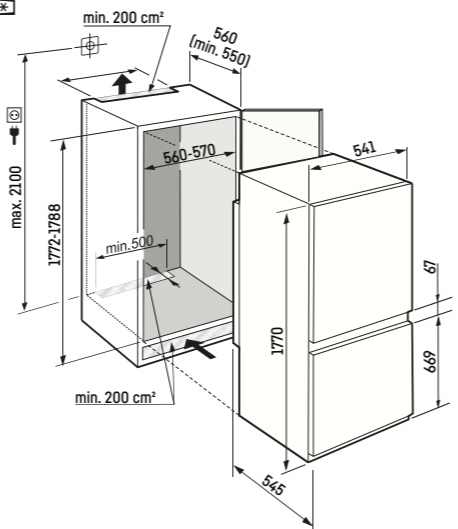
- SICNd 5153 \*\*\*\*
- ICBNd 5153 \*\*\*\*
- ICBNe 5123 \*\*\*\*
- ICNe 5133 \*\*\*\*
- ICd 5123 \*\*\*\*
- ICNf 5103 \*\*\*\*
- ICe 5103 \*\*\*\*
- ICNdi 5153 \*\*\*\*
- ICNd 5123 \*\*\*\*



NB: The cupboard door is attached to the appliance door (door on door assembly). No cupboard hinges required.

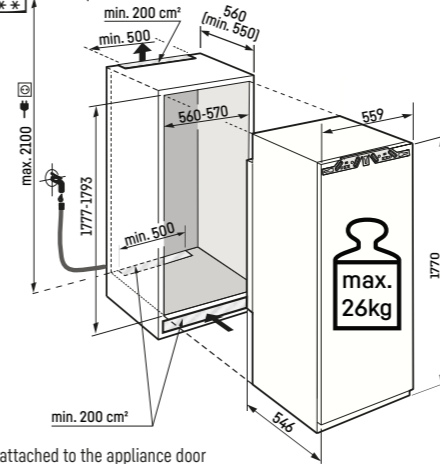
178 [mm]

- ICNSf 5103 \*\*\*\*
- ICSe 5103 \*\*\*\*



178 [mm]

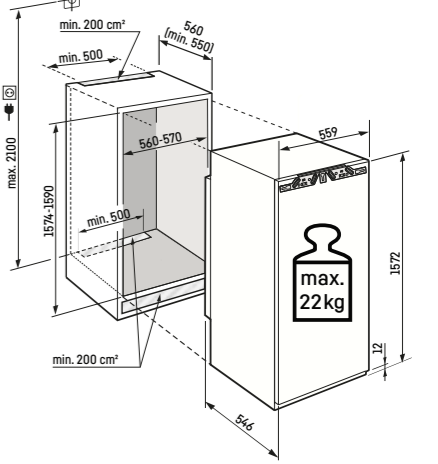
- IRBAd 5190 \*\*\*\*
- SIFNAe 5188 \*\*\*\*



NB: The cupboard door is attached to the appliance door (door on door assembly). No cupboard hinges required.

158 [mm]

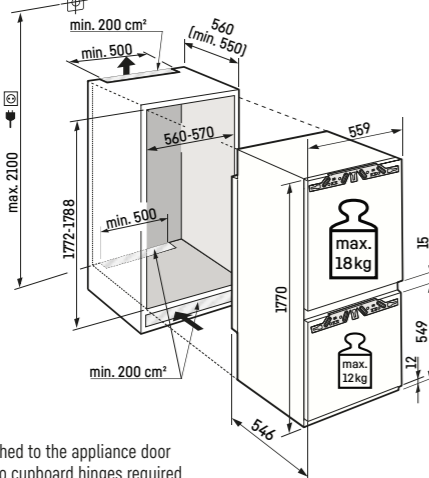
- IRBe 4851 \*\*\*\*



NB: The cupboard door is attached to the appliance door (door on door assembly). No cupboard hinges required.

178 [mm]

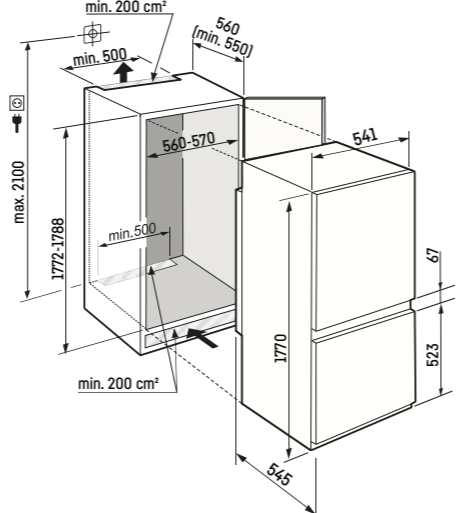
- ICBdi 5122 \*\*\*\*
- ICBc 5182 \*\*\*\*
- ICBb 5152 \*\*\*\*



The cupboard door is attached to the appliance door (door on door assembly). No cupboard hinges required.

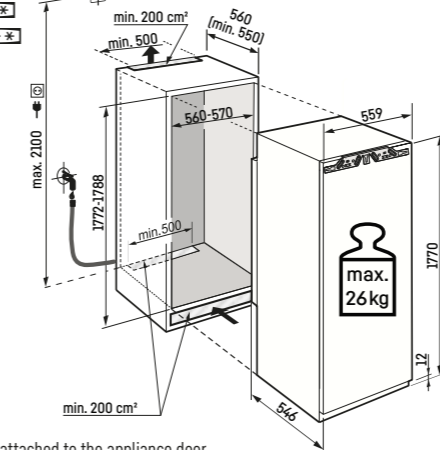
178 [mm]

- ICSe 5122 \*\*\*\*



178 [mm]

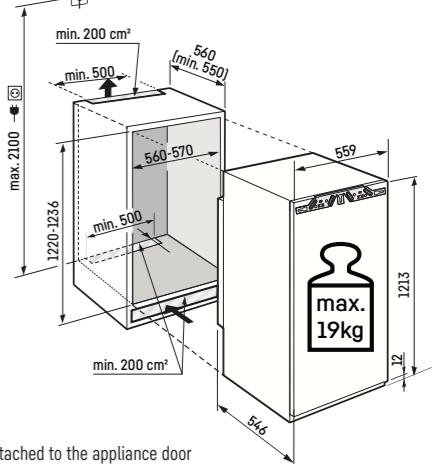
- IRBdi 5180
- SIFNe 5188 \*\*\*\*
- SIFNei 5188 \*\*\*\*



NB: The cupboard door is attached to the appliance door (door on door assembly). No cupboard hinges required.

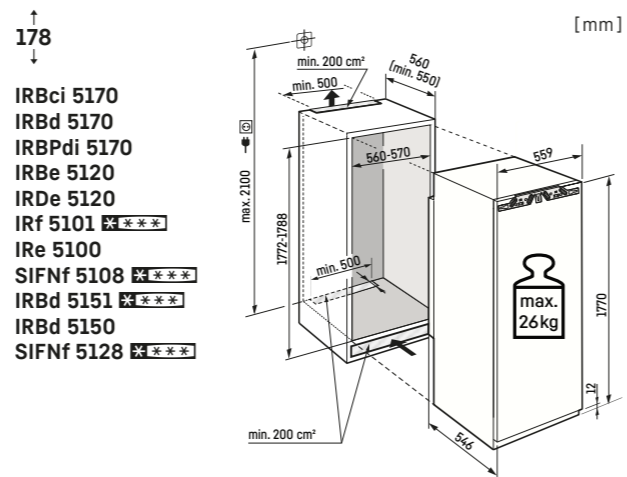
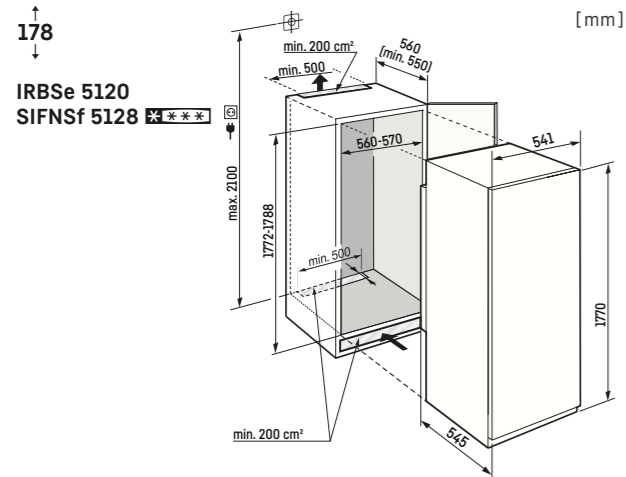
122 [mm]

- IRBAd 4170 \*\*\*\*

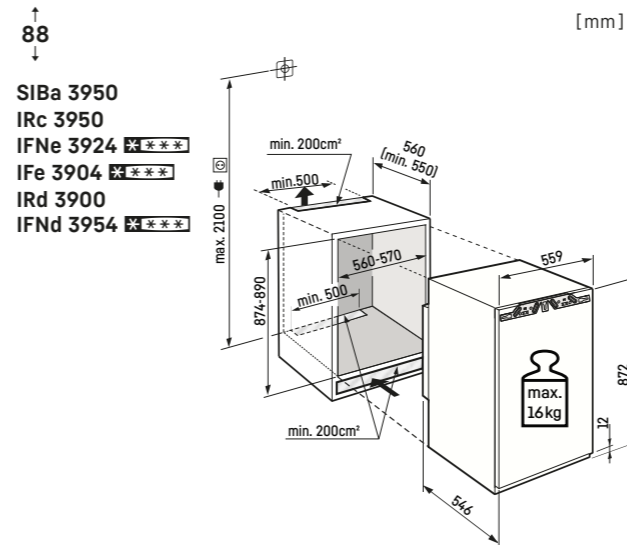


NB: The cupboard door is attached to the appliance door (door on door assembly). No cupboard hinges required.

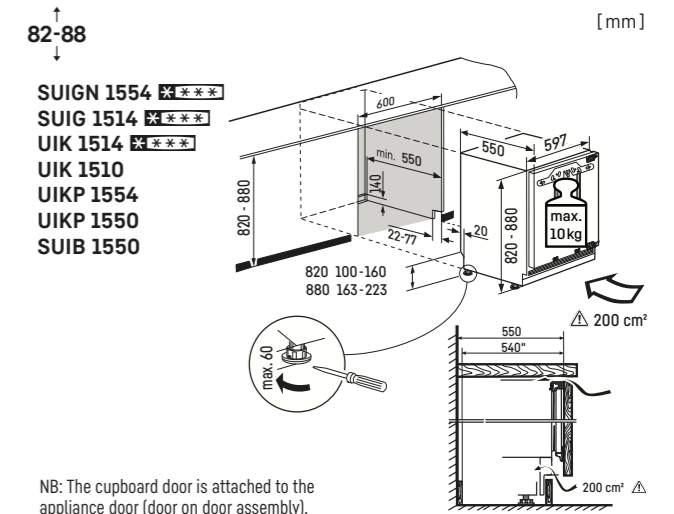
Diagrams



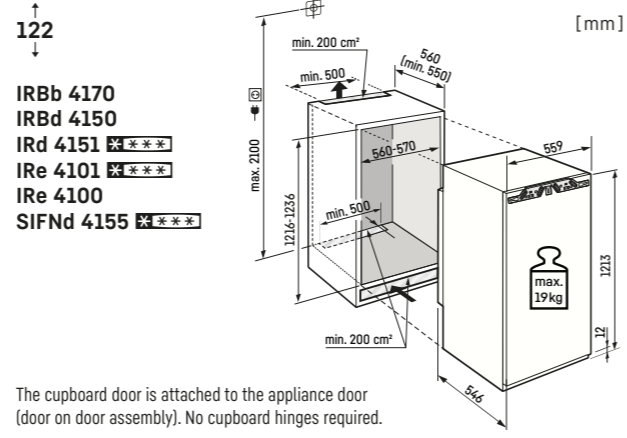
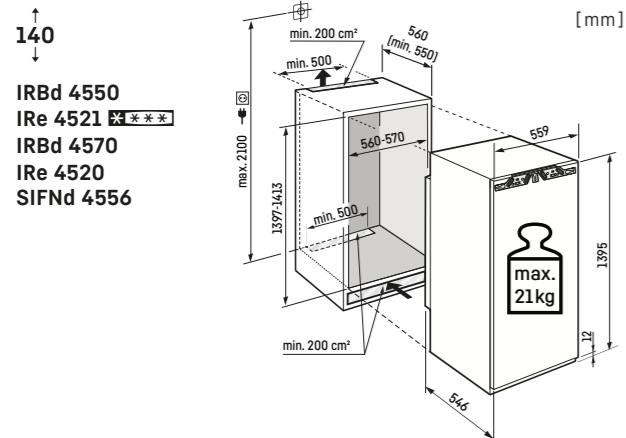
NB: The cupboard door is attached to the appliance door (door on door assembly). No cupboard hinges required.



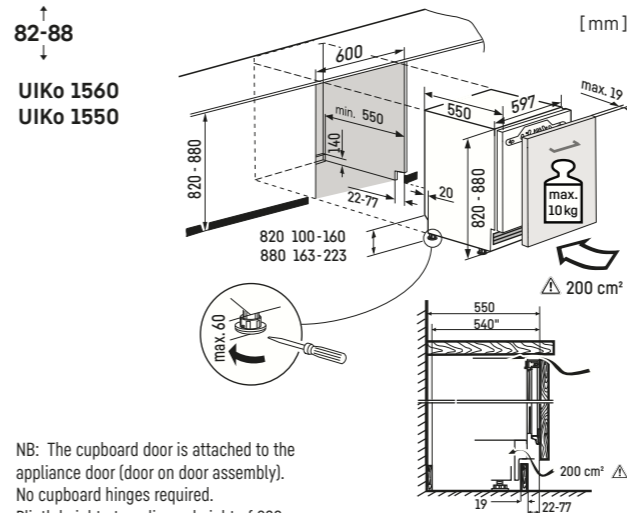
The cupboard door is attached to the appliance door (door on door assembly). No cupboard hinges required.



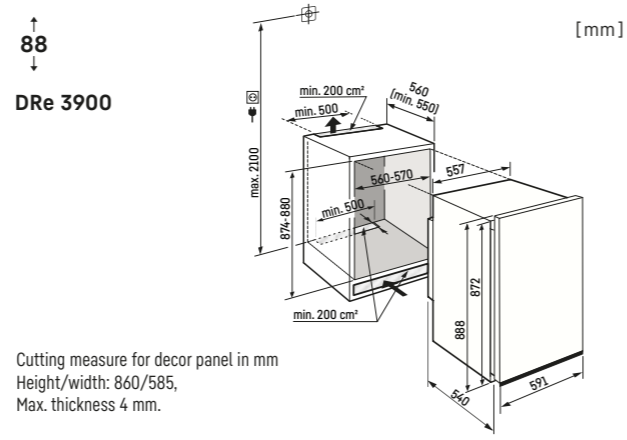
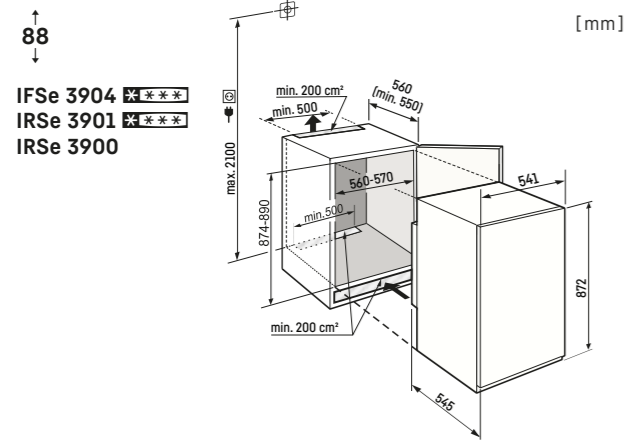
NB: The cupboard door is attached to the appliance door (door on door assembly). No cupboard hinges required. Plinth height at appliance height of 820 mm (height of worktop 850 mm) adjustable between 100 and 160 mm, or between 163 and 223 mm at appliance height of 880 mm (height of worktop 900 mm). Depth of plinth 22-77 mm.



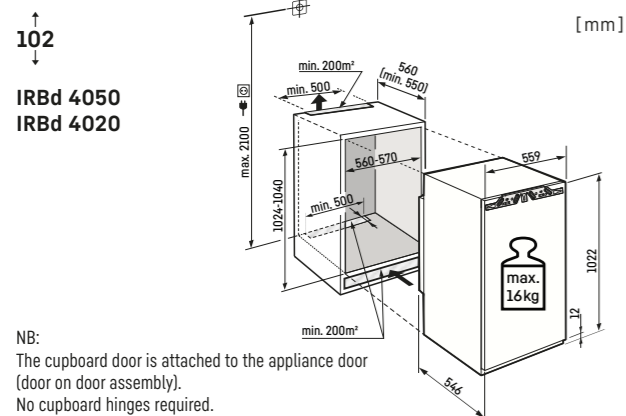
The cupboard door is attached to the appliance door (door on door assembly). No cupboard hinges required.



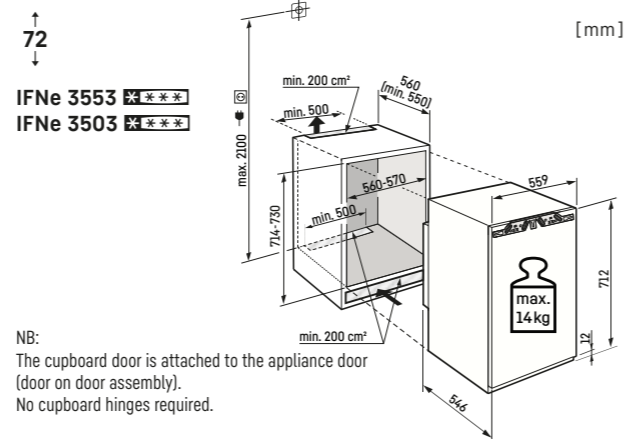
NB: The cupboard door is attached to the appliance door (door on door assembly). No cupboard hinges required. Plinth height at appliance height of 820 mm (height of worktop 850 mm) adjustable between 100 and 160 mm, or between 163 and 223 mm at appliance height of 880 mm (height of worktop 900 mm). Depth of plinth 22-77 mm.



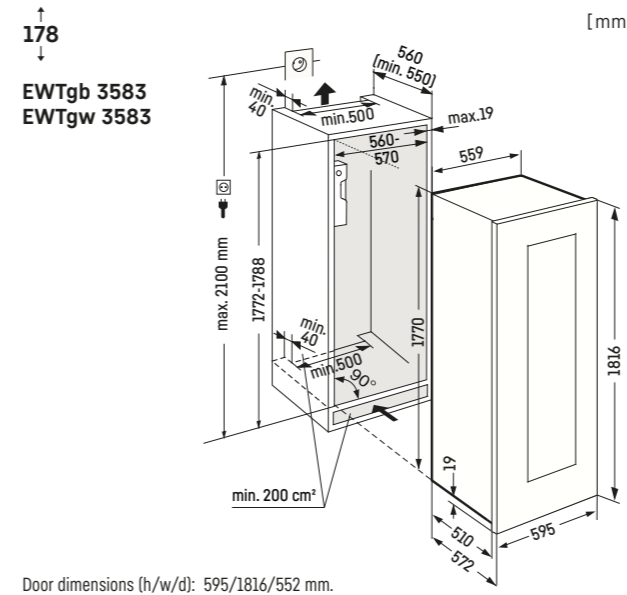
Cutting measure for decor panel in mm  
Height/width: 860/585,  
Max. thickness 4 mm.



NB: The cupboard door is attached to the appliance door (door on door assembly). No cupboard hinges required.

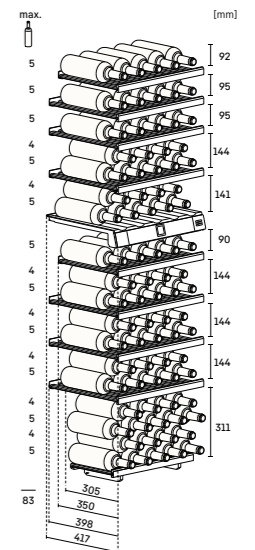


NB: The cupboard door is attached to the appliance door (door on door assembly). No cupboard hinges required.



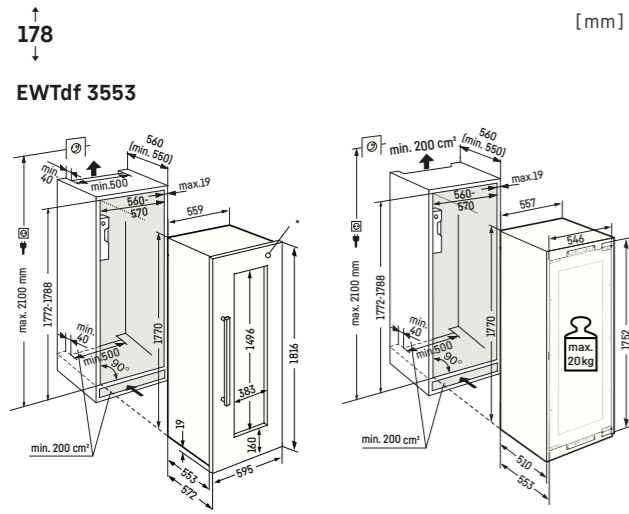
Door dimensions (h/w/d): 595/1816/552 mm.

Storage diagrams's:  
EWTGb 3583  
EWTGw 3583

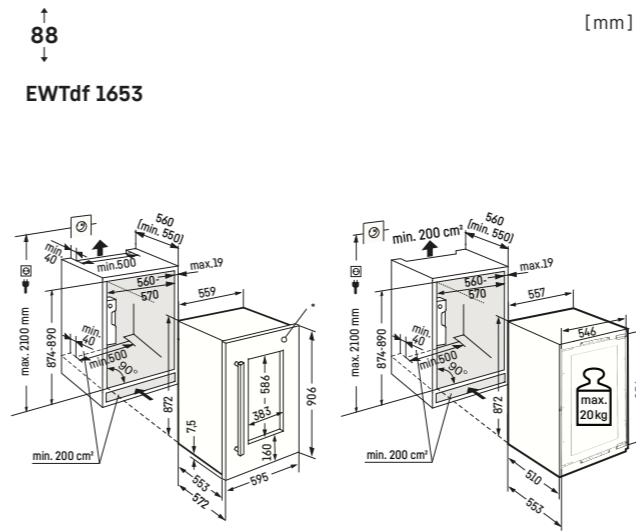
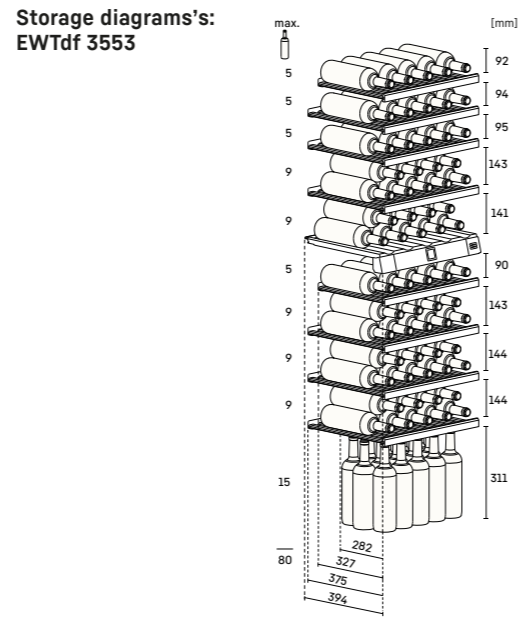




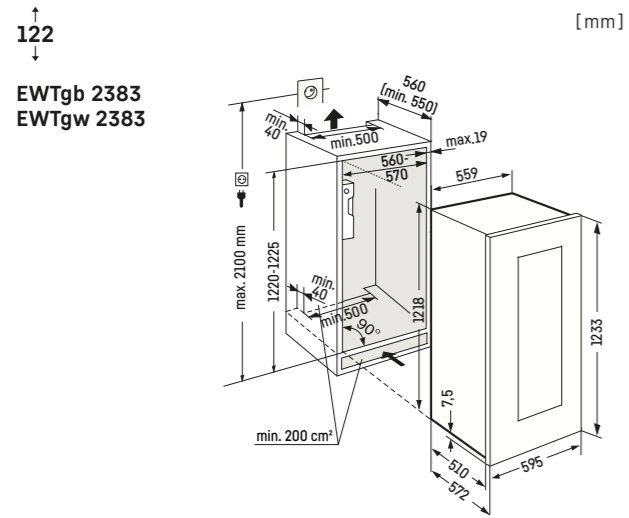
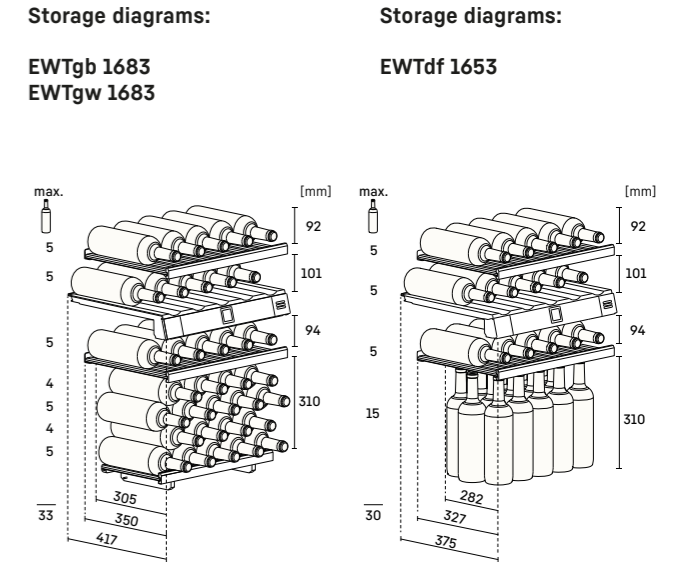
Diagrams



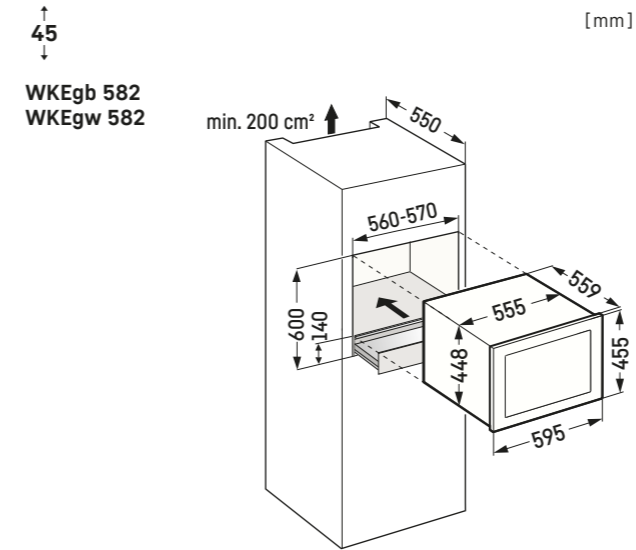
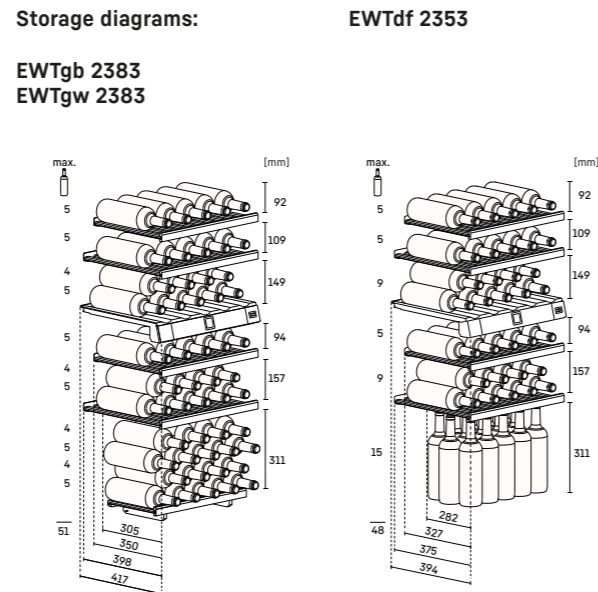
\* Shown with stainless steel frame installed.  
Door dimensions (h/w/d): 595/1816/552 mm.



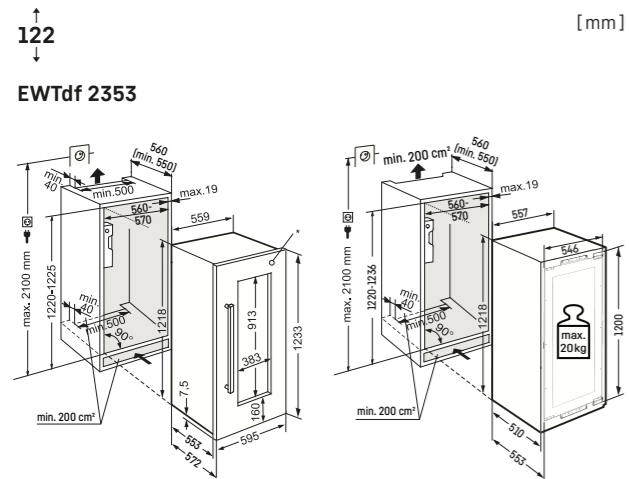
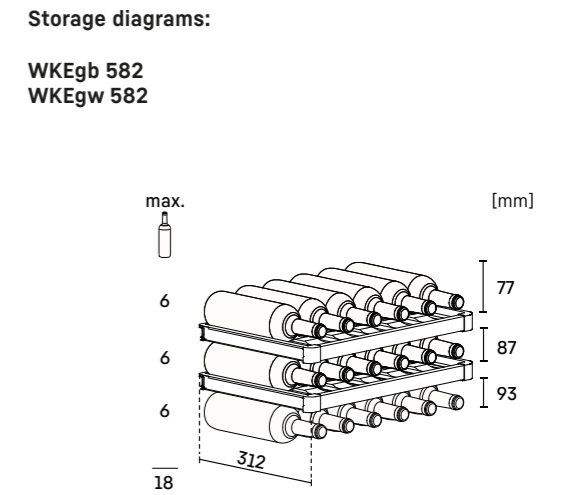
\* Shown with stainless steel frame installed.  
Door dimensions (h/w/d): 595/906/552 mm.



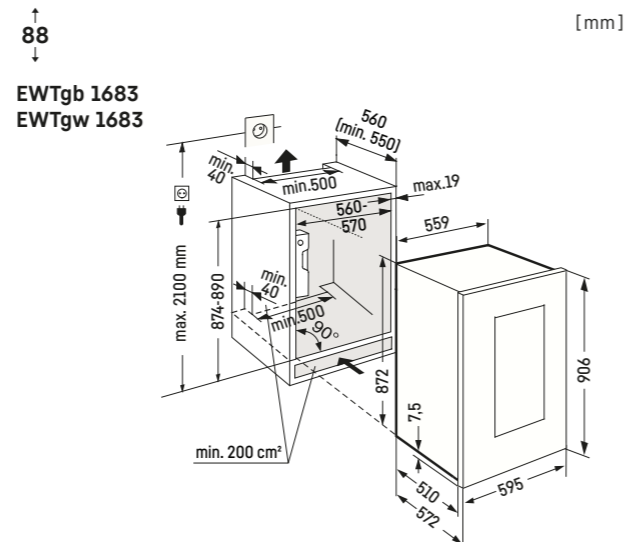
Door dimensions (h/w/d): 595/1233/552 mm.



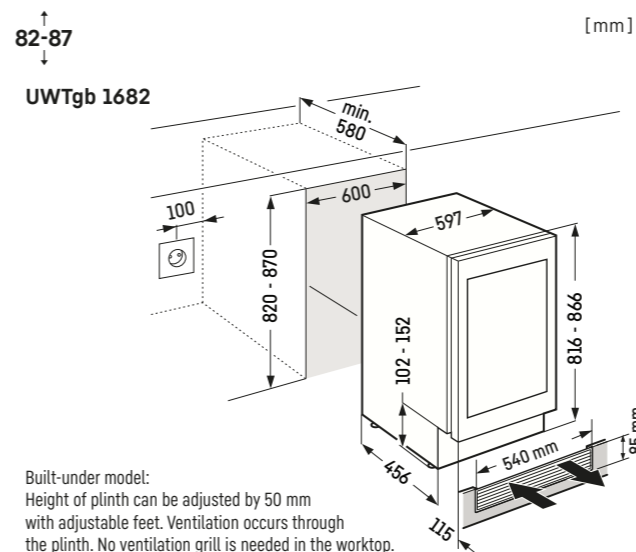
Glass door with stainless steel frame.  
Door dimensions (h/w/d): 450 / 595 / 35 mm



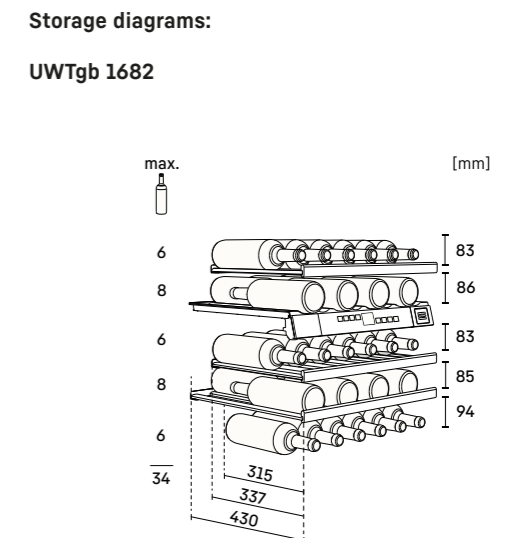
\* Shown with stainless steel frame installed.  
Door dimensions (h/w/d): 595/1233/552 mm.



Door dimensions (h/w/d): 595/906/552 mm.



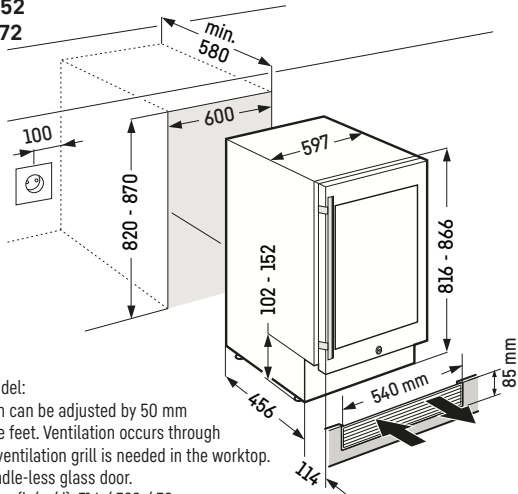
Built-under model:  
Height of plinth can be adjusted by 50 mm with adjustable feet. Ventilation occurs through the plinth. No ventilation grill is needed in the worktop.  
Frameless, handle-less glass door.  
Door dimensions (h/w/d): 717 / 596 / 39 mm



## Diagrams

82-87 [mm]

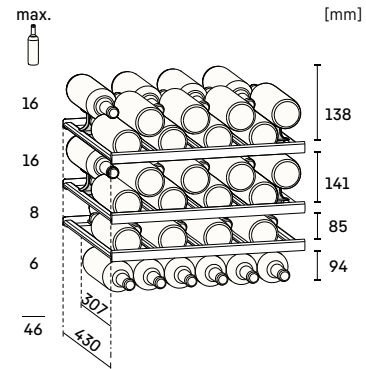
UWKes 1752  
UWTes 1672



Built-under model:  
Height of plinth can be adjusted by 50 mm with adjustable feet. Ventilation occurs through the plinth. No ventilation grill is needed in the worktop. Frameless, handle-less glass door. Door dimensions (h/w/d): 716 / 592 / 38 mm

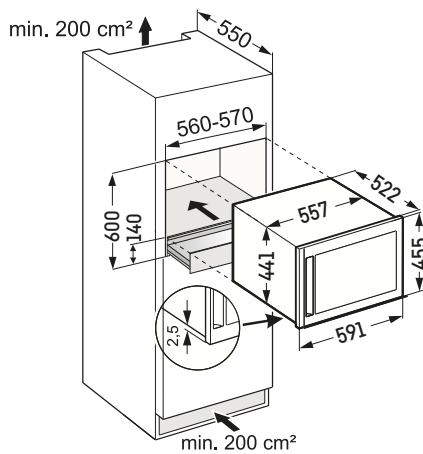
Storage diagrams:

UWKes 1752  
UWTes 1672



45 [mm]

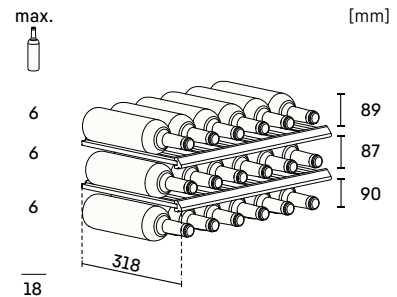
WKEes 553



NB:  
Ventilation always upwards.  
When installation underneath the worktop, a ventilation grill is required.  
Glass door with stainless steel frame.  
Door dimensions (h/w/d): 455 / 591 / 16 mm

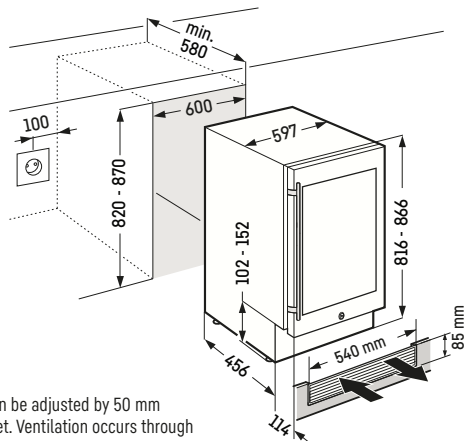
Storage diagrams:

WKEes 553



82-87 [mm]

UKes 1752



Built-under model:  
Height of plinth can be adjusted by 50 mm with adjustable feet. Ventilation occurs through the plinth. No ventilation grill is needed in the worktop. Frameless, handle-less glass door. Door dimensions (h/w/d): 716 / 592 / 38 mm

# Stay in touch

---

## Our catalogue programme

Ask your Liebherr dealer for our main catalogues for freestanding and fully integrated appliances and for our specials. All catalogues are also available for download at [home.liebherr.com](http://home.liebherr.com).



**SmartDevice app:** The smart companion for your Liebherr. Operate your appliances conveniently via app, receive important status messages and benefit from many other services relating to your fridge.



**HNGRY:** The smart every-day assistant for shopping, storage and supplies. The app helps you organise your shopping perfectly, keep an eye on your supplies at all times, and store them correctly.



You can download our apps here.



## Brief explanation of features

### Freshness technologies

#### Bio Fresh Professional

BioFresh-Professional offers even more flexibility for individual food storage.

#### Hydro Breeze

Cooling like a pro: Cold mist and a temperature in the safe of around 0 °C ensure a longer storage time and create a fabulous visual effect.

#### Fish & Seafood

The Fish & Seafood Safe stores fish and seafood at the optimum temperature of -2 °C; as professionally as your fishmonger.

#### Bio Fresh

The reliable BioFresh technology stores groceries at a temperature just above 0 °C, much cooler than in the rest of the appliance.

#### Bio Fresh Plus

The advantages of BioFresh with additional controllable temperature zone -2 °C, perfect for fish & seafood (freestanding appliances).

#### Bio Cool

The humidity can be regulated so that fruit and vegetables retain their freshness for longer

#### Easy Fresh

The air-tight safe allows humidity to rise keeping food fresher for longer.

#### Duo Cooling

Two separately controlled refrigeration circuits. The temperatures within the refrigerator and freezer compartments can be controlled independently.

#### No Frost

Defrosting is never needed as the freezer automatically defrosts itself.

#### Smart Frost

Defrosting is required much less often.

#### Super Cool

SuperCool boosts the cooling power until the food recently placed inside reaches the temperature of the rest of the contents.

#### Super Frost

SuperFrost increases the cooling power for a short time – this means the temperature remains constant when you place in unfrozen food.

### Wine

#### 1 Zone

With constant temperature throughout the interior, adjustable from +5 °C to +20 °C.

#### 2 Zones

With two temperature zones, independently and precisely adjustable from +5 °C to +20 °C.

#### 3 Zones

With three temperature zones, independently and precisely adjustable from +5 °C to +20 °C.

#### Humidity Select

The humidity can be actively regulated in 5% increments between 50% and 80% rH.

#### Fresh Air

For a pure bouquet, an activated charcoal filter reliably binds odours of any kind.

### Convenience and flexibility

#### Soft System

The door closes gently even when fully loaded inside. The door automatically closes from an angle of approximately 30°/45°.

#### Soft-Telescopic Rails

Fully extendible drawers run on telescopic rails and feature a convenient self-retraction mechanism with soft-closing.

#### Telescopic Rails

Drawers set on high-quality, smooth-running telescopic rails for reliable and secure opening and closing.

#### Touch & Swipe-Display

Intuitive control – simply by touching and swiping on the colour display.

#### Touch-Display

A Liebherr is really simple to use with a gentle tap of a finger on the clear touch display.

#### LiftUp Box

The LiftUp-Box allows you to fully utilise the storage space below the pull-out drawer. When pulled out, the LiftUp-Box pushes up and out of the base recess, allowing groceries to be removed easily (UIKo 1560 only).

#### Vario Space

For extra high storage space: Simply take out the individual freezer drawers and the glass horizontal dividers below and make space for extra tall frozen items.

#### Tip Open

The glazed door opens 7 cm when tapped for convenient access and, if the door is not opened further within 3 seconds the soft-closing systems will shut it again.

#### Presentation Board

Shows off exquisite wines and presents bottles that have been opened.

#### Side by Side

With the Side-by-Side concept, fridges, freezers and wine fridges can be individually combined according to personal requirements.

## Brief explanation of features

### Design

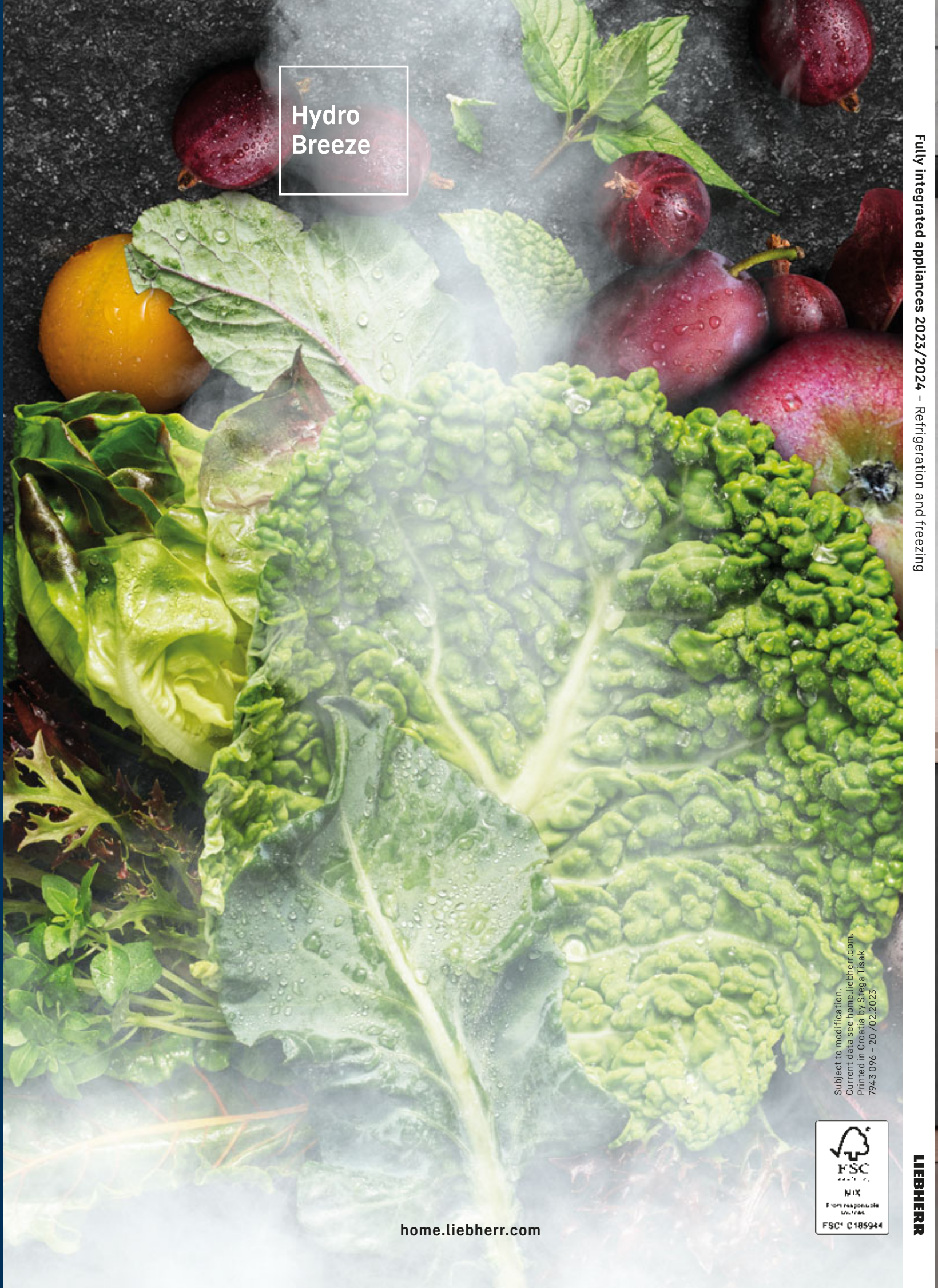
- Open Stage** Transparent drawers present the complete fridge contents with maximum clarity and in an ergonomic manner.
- Glass & Steel Interior** The interior features elegant glass and stainless steel elements.
- Light Tower** The new LightTower lighting concept evenly illuminates the interior while supporting the glass shelves. Flexible, space-saving, unique.
- Light Column** LED light column from top to bottom evenly illuminates the interior. One-sided or double-sided depending on the series.
- LED** Minimal heat generation, energy-saving and maintenance-free for optimum lighting.
- Steel Interior** Not just an attractive design element, the SmartSteel stainless steel rear wall panel ensures balanced air circulation.

### Water and Ice

- Infinity Spring** Ice-cold water on tap with no heavy lifting of bottles and is better for our environment.
- Ice Tower** Perfect for Parties: You will never run out of cold drinks. The 8 kg supply of ice cubes makes sure of that.
- Ice Maker** Automatic IceMaker with fixed water connection.
- Ice Maker Water tank** If no fixed water connection is available, there is an IceMaker with a water tank in the fridge compartment.

### Connectivity

- Auto Door** Unique worldwide: AutoDoor allows easy and convenient opening and closing of the door via voice command, knocking signal and smartphone - or simply by hand.
- Smart Device ready** The SmartDeviceBox allows the appliance to be controlled and used via mobile devices. The SmartDeviceBox can be ordered as an accessory.
- Smart Device** The SmartDeviceBox enables appliance control and use of additional services via computer and mobile end devices.



Hydro  
Breeze

Subject to modification.  
Current data see [home.liebherr.com](http://home.liebherr.com).  
Printed in Croatia by Stega Tisak  
7943 096 - 20 / 02.2023

