

Everything. **Except ordinary.**



# We operate all over the world, wherever our customers call home.

## Because customer proximity is an expression of our corporate culture.



Developing complex movement systems takes an efficient team combined with the passion and desire to work together and transform ideas into something new. This is our traditional way of thinking at GRASS. **Movement is our passion.**



The GRASS Group is a globally successful corporate group, a traditional yet fresh brand with an impressive variety of perspectives. With around 1860 employees across 19 locations and more than 200 sales partners in 60 countries, GRASS ranks among the world's leading specialists in movement systems.

**Sales and production locations in Germany**  
 Production Facility, Reinheim  
 Sales Office, Reinheim  
 Sales Office, Voralberg

**Locations in Austria:**  
 Logistics Centre, Hohenems  
 Sales Office, Hohenems  
 Production Facility, Höchst  
 Production Facility, Götzis  
 Production Facility, Salzburg

## State-of-the-art customer and logistics centre

With a total investment of 70 million euros, the customer and logistics centre is not only the largest investment in the company's history, but also the most modern distribution centre in the Würth Group. The figures for the new logistics site speak for themselves: The eleven-aisle high-bay warehouse is 22 levels tall, with over 600 racking uprights to accommodate almost 38,000 pallet storage spaces. The site incorporates over 5000 tonnes of steel, and the longest façade measures more than 180 metres. The building covers an area of 11,150 m<sup>2</sup>.



### New hybrid picking system ensures optimum loading and unloading.

A custom warehouse management system has been developed for GRASS, featuring a material flow computer, forklift control system and mobile device integration. This system operates independently in the incoming goods area: when trucks dock, the fully automatic system accepts the pallets via a state-of-the-art floor conveyor without human intervention. A truck can be completely unloaded in just two minutes with this process. For outgoing goods, orders are presequenced using two separate, double-deep shipping buffers. Items for an order are removed "heavy before light" in order to optimise loading onto the truck.



Since 2004, GRASS has been part of the international Würth Group, which has an annual turnover of more than 20 billion euros and is the world leader in the trade of assembly and fastening materials.

MEMBER OF THE  
WÜRTH  GROUP

QUALITY@GRASS

# Quality begins with development.

Ideas can only become innovations if they can be produced in series at the highest level. Our engineers rely on all the benefits of modern development and production technology to manufacture these product ideas. Production and development departments work closely together across locations to guarantee the continuous optimisation of all production processes.



**"We recognise our responsibility to provide customers with the outstanding product quality they expect."**

Werner Elender  
COO GRASS Group

QUALITY@GRASS

**Technical precision, durability, functionality, design and environmental consciousness all come together to form a highly sophisticated quality standard.**

For us, quality means ensuring that each movement system always meets the same reliable standards, so that each individual system fulfils the high demands. That's why only one thing counts for our experienced teams when it comes to quality: To ensure that GRASS products continue setting the standard in future through their quality and excellence across the board when it comes to technology, design, reliability and longevity.



The packaging plant at the Götzis site uses two separately controlled robotic arms to process around 110 different packaging variants. With a cycle rate of just six seconds per slide set, the system's performance range ensures high efficiency – whether handling single boxes or outer packaging.



## Exceptional products call for state-of-the-art production and testing facilities.

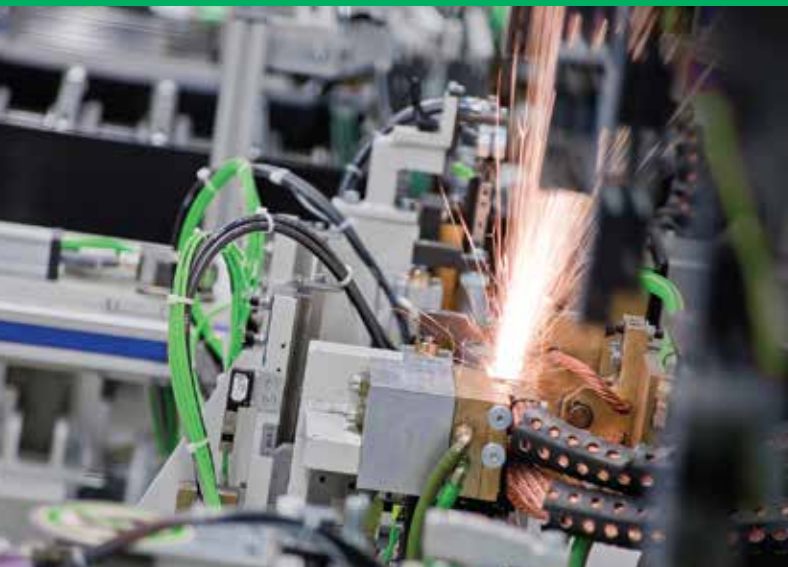
State-of-the-art machinery helps our highly qualified employees to create outstanding products. This includes state-of-the-art production lines, cutting-edge welding robots and automatic punching machines which, with a pressing force of several tonnes, can form the thickest sheet metal and feed the parts directly into the automatic assembly line without any further post-processing. Numerous testing and control stations integrated into the production lines use SPC (Statistical Process Control) to monitor consistent quality excellence, which forms the basis for a high level of customer satisfaction.

**For us, development and production are seamlessly integrated. It is this belief that helps us transform ideas into new products.**

Ideas can only become innovations if they can be produced in series at the highest level. Our engineers rely on all the benefits of modern development and production technology to manufacture these product ideas. Production and development departments work closely together across locations to guarantee the continuous optimisation of all production processes. After all, GRASS products are a promise that must be kept day after day.



We produce tens of thousands of movement systems in our plants every day. To ensure that these systems meet our high quality management requirements, each product line is thoroughly tested on site. Our high internal standards, test procedures based on DIN and LGA and testing by independent institutes ensure systematic quality assurance.



QUALITÄTS-ZERTIFIKAT  
**LGA**



Photo: Rote Wand, Vorarlberg

Because we live and work in one of the most beautiful regions in the world, we share a responsibility to conserve natural resources.



## Green power: In-house combined heat and power plant in Höchst.

With an output of 2000 kWh, the combined heat and power plant covers 75% of our electrical energy requirement. The waste heat can then be used to heat the premises or, in summer, to provide a substantial proportion of the cooling capacity via the absorption refrigerator.



GRASS drawer systems are almost 100% recyclable and do not contain any hazardous substances or substances specified in the REACH regulation\*.

## We see the present as part of the future.

Active involvement in environmental protection is an important prerequisite for long-term company success. Working with this mindset means conserving resources and creating ecologically sound production conditions. We have high expectations of ourselves, and our efforts to keep our ecological footprint as low as possible require a continuous improvement process that incorporates all areas of the company.

\* Substances of very high concern on the candidate list for approval in the EU.

# For GRASS, environmental protection is a fundamental corporate objective. Taking personal responsibility is part of our identity.



Since 2010, the GRASS Group's international environmental management system has been certified according to ISO 14001. GRASS's strong environmental commitment and dedicated projects dating back many years are entirely rooted in **our love of nature.**



**CO2 savings:  
640 tonnes  
per year.**

Extensive energy efficiency measures have significantly reduced our CO<sub>2</sub> emissions.



**Recycling of  
steel waste.  
6650 tonnes  
per year.**

100% of steel waste generated during production is recycled.

**Heat requirements reduced  
through heat  
recovery.**

Compressor and exhaust gas heat exchange systems with a total output of over 3000 kW also improve our carbon footprint.



**Energy savings:  
18% reduction  
in power consumption.**

Reduction in overall electricity demand from 62 million kWh to 51 million kWh per year in the last 5 years.

**40% waste  
reduction:  
640 tonnes  
per year.**

The volume of non-recyclable waste has been reduced from 1530 tonnes to 905 tonnes per year.



## GRASS SOUTH AFRICA

This catalogue consists of some products not produced by GRASS, but distributed and supplied by GRASS South Africa.

For further information on GRASS products refer to our International catalogue - [www.grass.eu](http://www.grass.eu)

MOVEMENT SYSTEMS | FITTINGS & ACCESSORIES CATALOGUE 2026



# Our Partners

**G\*GRASS®**

Evora.

Yenza.



**Vogue®**  
DOORS



**DISPLAY WINE**  
decorative wine storage

**VOLPATO®**

**KV**  
KNAPE & VOGT.

**FRANKE**

**atim®**  
ALUMINIUM TECHNOLOGY

**ITALIANA®**  
ferramenta

**Hawa**  
Sliding Solutions

**ksa**  
The Kitchen Specialists  
**ASSOCIATION**  
**MEMBER**

**L&S** Lighting  
Intelligence

  
**ambos**

# INDEX

## PAGE

VIONARO DRAWER SYSTEM V8	10 - 16
VIONARO DRAWER SYSTEM V13	17
NOVA PRO SCALA DRAWER SYSTEM	18
NOVA PRO SCALA STORAGE SYSTEM	19
NOVA PRO SCALA SOLUTION SYSTEMS	20
NOVA PRO BASE MOUNT DRAWER SYSTEM	21
NOVA PRO ONE DRAWER SYSTEM	22
DYNAMOOV/DYNAPRO DRAWER SYSTEM	23
DYNAPRO BASE MOUNT DRAWER SYSTEM	24
MARKING JIGS	25 - 26
KINVARO FLAP-UP/FLAP-DOWN SYSTEMS	27 - 28
TIOMOS HIDDEN HINGE	29
TIOMOS M SERIES HINGE	30
TIOMOS HINGE SOFT-CLOSE	31 - 32
NEXIS CLICK-ON HINGE	33 - 34
EVORA CLICK-ON HINGE SOFT-CLOSE	35 - 36
YENZA CLICK-ON HINGE SOFT-CLOSE	37 - 38
YENZA CLICK-ON HINGE	39
YENZA CLICK-ON/SLIDE-ON HINGE	40
EVORA TIPMATIC/SOFT-CLOSE ACTIVATOR	41
EVORA UNDERMOUNT SLIDE	42
EVORA/YENZA SLIDE SYSTEMS	43
ORGANISING SYSTEMS - TAVINEA SORTO/TAVINEA OPTIMA	44 - 47
DRAWER DIVIDER	48
CUTLERY INSERTS	49
RUBBER MATTING	50
EVORA HANDLE PROFILES	51
VOGUE DOORS HANDLE PROFILES	52 - 53
VOGUE DOORS GOLA PROFILES AND ACCESSORIES	54 - 55
VOGUE DOORS ALUMINIUM SKIRTINGS	56
VOGUE DOORS VCUBE AND VWALL	57 - 59
VOGUE DOORS SLIDING DOOR SYSTEM	60 - 65
DISPLAY WINE SYSTEMS	66 - 78
ATIM MOVEABLE KITCHEN COUNTER TOPS	79 - 82
SIGE LARDER PULL-OUT	83 - 84
SIGE PULL-OUT SHELF	85
SIGE ROTATION CORNER	86
SIGE PULL-OUT CORNER	87
SIGE PULL-OUT BASE 150 MM AND 300 MM	88 - 91
SIGE LAUNDRY BIN	92
ACCESSORIES FOR NOVA PRO SCALA DRAWERS	93
SIGE RECYCLE BINS	94 - 95
SIGE WASTE BINS	96
SIGE KAOS BEDROOM RANGE	97 - 98
ITALIANA FERRAMENTA PUSH TO OPEN / LIBRA H11 / K-LINE	99 - 101
AMBOS WARDROBE LIFT	102
KNAPE & VOGT KV POCKET DOOR SYSTEM	103
HAWA SLIDE AND POCKET SYSTEM	104 - 106
EVORA/YENZA ACCESSORIES	107 - 110
YENZA KNOCK DOWN FITTINGS	111 - 112

# Vionaro V8.

The future of the drawer  
in eight millimetres.

**Is it possible to develop a drawer  
that's as slim as a pencil? Yes, it is!**

Until recently, the very idea of reducing a drawer side to 8 mm and making industrial production commercially viable would have been unthinkable. With Vionaro V8, this vision has now become reality.



VIONARO V8 ECHOES THE WORK OF AN EXPERIENCED ZEN MASTER. THE MINIMALIST DESIGN DRAWER SIDES SEEM TO EMBODY THE PURSUIT OF "NOTHINGNESS". THE NEW SLIM DRAWER SYSTEM EMPHASISES THE AIM OF GRASS TO CREATE BRAND QUALITY WITH MASTERLY PERFECTION IN THE SENSE OF THE ZEN TEACHINGS THAT ARE THOUSANDS OF YEARS OLD.



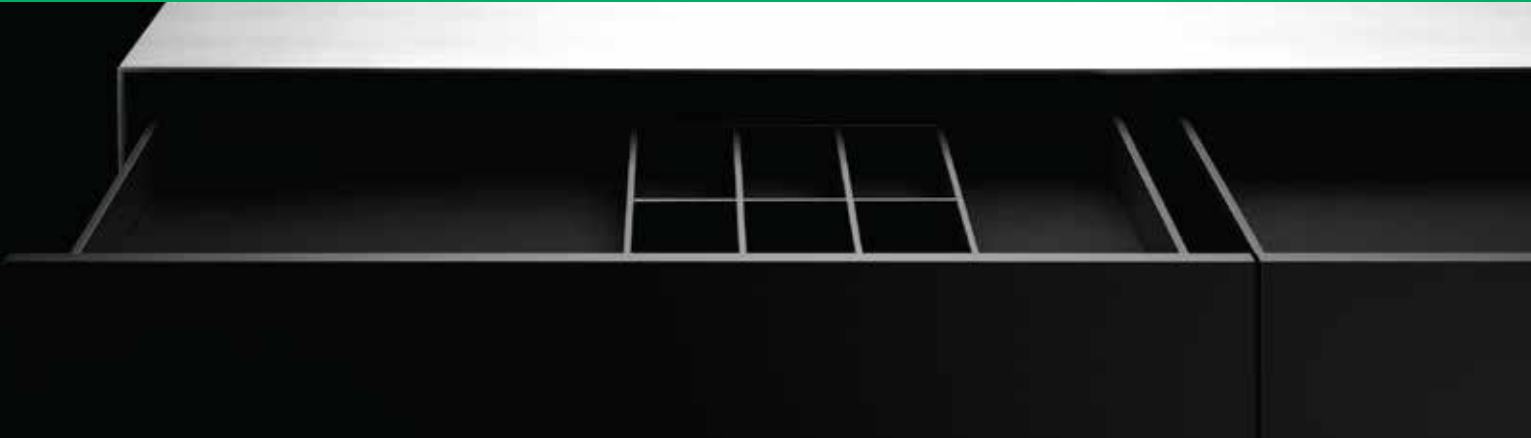
Underneath the Vionaro V8 drawer lies a slide system that has already been proven millions of times over; Dynapro ensures excellent running characteristics, precision movement and high stability. It ranks among the most successful concealed slides worldwide.

“Perfection is achieved, not when there is nothing more to add, but when there is nothing left to take away.”

Antoine de Saint-Exupéry

# Vionaro V8 Slim Drawer System

Vionaro V8 features an 8-millimetre, minimalist drawer design that dispenses with the superfluous. As well as a timeless aesthetic, V8 offers above all outstanding motion design, sustainably coated, novel surfaces, maximum storage space and minimum complexity of parts along with the resource-efficient use of materials.



## **The magic of simplicity.**

By dispensing with the superfluous, Vionaro V8 gains a breathtaking simplicity. Its clear, monolithic form will outlast time and trends. In this respect, Vionaro V8 has everything a design classic should offer. In addition, V8 makes it possible for the first time to fit kitchen, bathroom, office and living room furniture with the same movement system. The new Slim Drawer System provides the connecting link between areas of the home.

## **Timeless elegance means there's nothing left to take away.**

With V8, the drawer accomplishes a kind of metamorphosis from functional component to design element inside the cabinet. No matter whether it's with the 72 mm, 89 mm, 122 mm, 200 mm or 250 mm drawer side height, or the harmoniously proportioned glass drawer – the tranquil elegance of Vionaro V8 derives from a patented transmission of forces between back panel and furniture front that does away with the need for obtrusive grooves, frames or brackets.

## **The world's only 8-millimetre one-piece steel drawer side with no plastic elements.**

The new drawer system is entirely without plastic. The Slim Drawer System doesn't merely offer the only 8-millimetre one-piece steel drawer side in the world – Vionaro V8 is also the first pure-metal drawer side. All parts are made of steel and joined using cutting-edge laser welding technology. That creates maximum stability plus longevity and ensures an almost 100 per cent recycling rate.

# Is it possible to develop a drawer that's as slim as a pencil? **Yes, it is!**



**V8** Vionaro V8  
Slim Drawer System.

**Everything. Except ordinary.** Until recently, the very idea of reducing a drawer side to 8 millimetres and, above all, making industrial production commercially viable would have been unthinkable. With Vionaro V8, this vision has now been turned into reality. The new slim drawer system not only offers the only 8-millimetre one-piece steel drawer side in the world – Vionaro V8 is also the first pure-metal drawer side with no plastic elements. That produces maximum stability plus longevity and ensures an almost 100 per cent recycling rate.

[vionaro-v8.com](http://vionaro-v8.com)



**GERMAN  
DESIGN  
AWARD  
WINNER  
2022**



DESCRIPTION	CODE	DEPTH	COLOUR
VIONARO V8 89 MM	F138140604211	400 MM	NERO
VIONARO V8 89 MM	F138140607211	450 MM	NERO
VIONARO V8 89 MM	F138140610211	500 MM	NERO
VIONARO V8 89 MM	F138140613211	550 MM	NERO
VIONARO V8 89 MM	F138137124211	270 MM	STONE
VIONARO V8 89 MM	F138137130211	350 MM	STONE
VIONARO V8 89 MM	F138137133211	400 MM	STONE
VIONARO V8 89 MM	F138137136211	450 MM	STONE
VIONARO V8 89 MM	F138137139211	500 MM	STONE
VIONARO V8 89 MM	F138137142211	550 MM	STONE
VIONARO V8 89 MM	F138137187211	400 MM	WHITE
VIONARO V8 89 MM	F138137190211	450 MM	WHITE
VIONARO V8 89 MM	F138137193211	500 MM	WHITE
VIONARO V8 89 MM	F138137196211	550 MM	WHITE



DESCRIPTION	CODE	DEPTH	COLOUR
VIONARO V8 121 MM	F138140628211	400 MM	NERO
VIONARO V8 121 MM	F138140631211	450 MM	NERO
VIONARO V8 121 MM	F138140634211	500 MM	NERO
VIONARO V8 121 MM	F138140637211	550 MM	NERO
VIONARO V8 121 MM	F138137241211	400 MM	STONE
VIONARO V8 121 MM	F138137244211	450 MM	STONE
VIONARO V8 121 MM	F138137247211	500 MM	STONE
VIONARO V8 121 MM	F138137250211	550 MM	STONE



DESCRIPTION	CODE	DEPTH	COLOUR
VIONARO V8 200 MM	F138140652207	400 MM	NERO
VIONARO V8 200 MM	F138140655207	450 MM	NERO
VIONARO V8 200 MM	F138140658207	500 MM	NERO
VIONARO V8 200 MM	F138140661207	550 MM	NERO
VIONARO V8 200 MM	F138137346207	350 MM	STONE
VIONARO V8 200 MM	F138137349207	400 MM	STONE
VIONARO V8 200 MM	F138137352207	450 MM	STONE
VIONARO V8 200 MM	F138137355207	500 MM	STONE
VIONARO V8 200 MM	F138137358207	550 MM	STONE
VIONARO V8 200 MM	F138137403207	400 MM	WHITE
VIONARO V8 200 MM	F138137406207	450 MM	WHITE
VIONARO V8 200 MM	F138137409207	500 MM	WHITE
VIONARO V8 200 MM	F138137412207	550 MM	WHITE

**FEATURES:** 8 MM Slim drawer  
Minimalist design  
One piece of steel, no plastic components  
100% Recyclable

Runs on the Dynapro Slide  
Available in 40 KG and 70 KG options  
Soft-close  
Compatible with Tavinea Sorto

Use the drawer fronts of up to 780 MM high  
Fully synchronised slides  
Tipmatic retrofit as an add on





DESCRIPTION	CODE	DEPTH	COLOUR
VIONARO V8 INSET CRYSTAL DRAWER SIDE H77 / 200	F138137490	500 MM	STONE
VIONARO V8 RECTANGULAR RAILING	F138138129	500 MM	STONE
VIONARO V8 DIVIDER RAILING	F138140359	1200 MM	STONE
VIONARO V8 CROSS FRONT PROFILE	F138139845	1200 MM	STONE
VIONARO V8 PRE ASSEMBLED FRONT CLIP	F138139378	-	STONE
VIONARO V8 INSET PANEL COVER CAPS	F138138902	-	STONE
VIONARO V8 SCREW	F138138907	3 X 30 MM	STONE
VIONARO V8 FOAM RUBBER FOR INSET PANEL	F138140237	40 MM	STONE
VIONARO V8 FRONT BOTTOM CONNECTOR	F136118025	-	STONE



DESCRIPTION	CODE	DEPTH	COLOUR
VIONARO V8 INSET CRYSTAL DRAWER SIDE H77 / 200	F138140706207	500 MM	NERO
VIONARO V8 RECTANGULAR RAILING	F138140733223	500 MM	NERO
VIONARO V8 DIVIDER RAILING	F138140846211	1200 MM	NERO
VIONARO V8 CROSS FRONT PROFILE	F138140839211	1200 MM	NERO
VIONARO V8 PRE ASSEMBLED FRONT CLIP	F138140847211	-	NERO
VIONARO V8 INSET PANEL COVER CAPS	F138140850233	-	NERO
VIONARO V8 SCREW	F138138907	3 X 30 MM	NERO
VIONARO V8 FOAM RUBBER FOR INSET PANEL	F138140237	40 MM	NERO
VIONARO V8 FRONT BOTTOM CONNECTOR	F136118025	-	NERO

**FEATURES:** 8 MM Slim drawer  
Minimalist design  
One piece of steel, no plastic components  
100% Recyclable

Runs on the Dynapro Slide  
Available in 40 KG and 70 KG options  
Soft-close

Fully synchronised slides  
Glass inlays 5 MM thick  
Perfect for tall cabinets with internal drawers

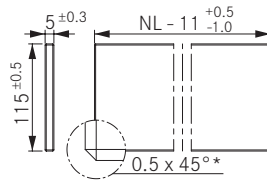




DESCRIPTION	COLOUR
V8 STORAGE SYSTEM	STONE / NERO

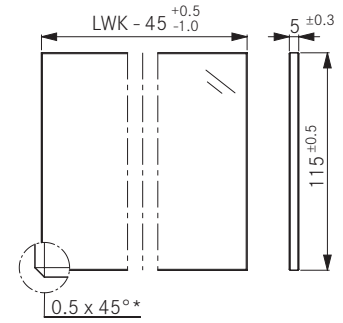
**FEATURES:** Elegant Slimline Drawer with glass inlays for clear 3 sided visibility  
Storage System for groceries - can store up to 350 KG in weight  
Unit widths from 450 MM - 1200 MM  
Can use 40 KG or 70 KG runner options  
Soft-close  
Can use with a hinged door or attach to a tall drawer front  
Glass inlay of 5 MM  
Refer to page 13 and 14 for full range

Cutting dimensions of side glass inlay



\* NL = Nominal Length of runner  
\* Glass slide-in element

Cutting dimensions of front glass inlay



\* Glass slide-in element \* LWK = Inside cabinet width





DESCRIPTION	SIZE	FINISH
V8 CUSTOM SPICE PULL-OUT	200 MM - 600 MM	STONE / WHITE / NERO

**FEATURES:** Spice and bottle pull-out in custom widths  
2 or 3 tiers  
80 KG or 120 KG weight capacities  
Use with 89 MM, 121 MM and 200 MM drawer side heights



DESCRIPTION	SIZE	FINISH
V8 TAVINEA SORTO CUTLERY	450 MM - 1200 MM	STONE / SILVER

**FEATURES:** Organises drawers for cutlery and utensils  
Modular system  
Refer to page 46 for more options



DESCRIPTION	SIZE	FINISH
V8 TAVINEA OPTIMA DIVIDER	600 MM - 1200 MM	STONE / WHITE

**FEATURES:** Dividing system for pot drawers horizontal  
Can be retrofitted  
Refer to page 47 for more options



DESCRIPTION	SIZE	FINISH
DYNAPRO PULL-OUT SHELF	ANY WIDTH	TIMBER DRAWER

**FEATURES:** Dynapro pull-out shelf that can lock into place  
Custom widths  
Use Dynapro Runner with Stop Lock (code: F134140428511)





DEPTH	HEIGHT					COLOUR
	63 MM	89 MM	121 MM	185 MM	249 MM	
270	-	■	-	-	-	GRAPHITE
350	-	■	■	■	-	GRAPHITE
400	-	■	■	■	-	GRAPHITE
450	■	■	■	■	■	GRAPHITE
500	■	■	■	■	■	GRAPHITE



DEPTH	HEIGHT					COLOUR
	63 MM	89 MM	121 MM	185 MM	249 MM	
270	-	■	-	-	-	WHITE
350	-	■	■	■	-	WHITE
400	-	■	■	■	-	WHITE
450	■	■	■	■	■	WHITE
500	■	■	■	■	■	WHITE



DEPTH	HEIGHT					COLOUR
	63 MM	89 MM	121 MM	185 MM	249 MM	
400	-	■	-	-	-	SILVER
450	-	■	-	■	-	SILVER
500	-	■	-	■	-	SILVER

**FEATURES:** Slim 13 MM drawer side  
4D Adjustment  
90° straight interior and exterior sides  
Tool free front assembly

Available in 3 colours  
Available in 5 heights  
Available in 40 KG and 70 KG  
Fully synchronized slides

Can use same dynapro runner for wooden box and metal sides  
Tipmatic as a retrofit add on





DEPTH	HEIGHT						COLOUR
	63 MM	90 MM	122 MM	140 MM	186 MM	250 MM	
270	-	■	-	-	-		STONE
300	-	■	-	-	■		STONE
350	-	■	-	-	■		STONE
400	■	■	-	-	■		STONE
450	■	■	■	-	■		STONE
500	■	■	■	■	■	■	STONE
550	-	■	■		■	■	STONE



DEPTH	HEIGHT						COLOUR
	63 MM	90 MM	122 MM	140 MM	186 MM	250 MM	
270	-	■	-	-	-		ICE
300	-	■	-	-	■		ICE
350	-	■	-	-	■		ICE
400	■	■	-	-	■		ICE
450	■	■	■	-	■		ICE
500	■	■	■	■	■	■	ICE
550	-	■	■		■	■	ICE



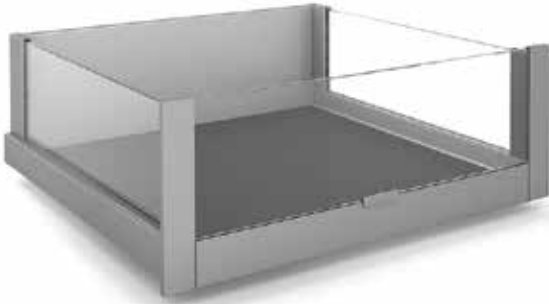
DEPTH	HEIGHT					COLOUR
	63 MM	90 MM	122 MM	140 MM	186 MM	
270	-	■	-	-	-	SILVER
350	-	■	-	-	-	SILVER
400	-	■	-	-	-	SILVER
450	-	■	-	-	-	SILVER
500	-	■	-	■	■	SILVER

**FEATURES:** Double wall drawer  
Can be personalised with designer panels  
Integrated height and side adjustment  
Robust design and high level of stability

Optimum use of space due to straight inside surfaces and low construction width  
Tool free installation and removal of drawer front  
Width of bottom and back panel is the same

Available in 40 KG & 70 KG  
Fully synchronised slides  
Compatible with Tavinea Sorto  
Nova Pro Spacer 25 MM available on p.112





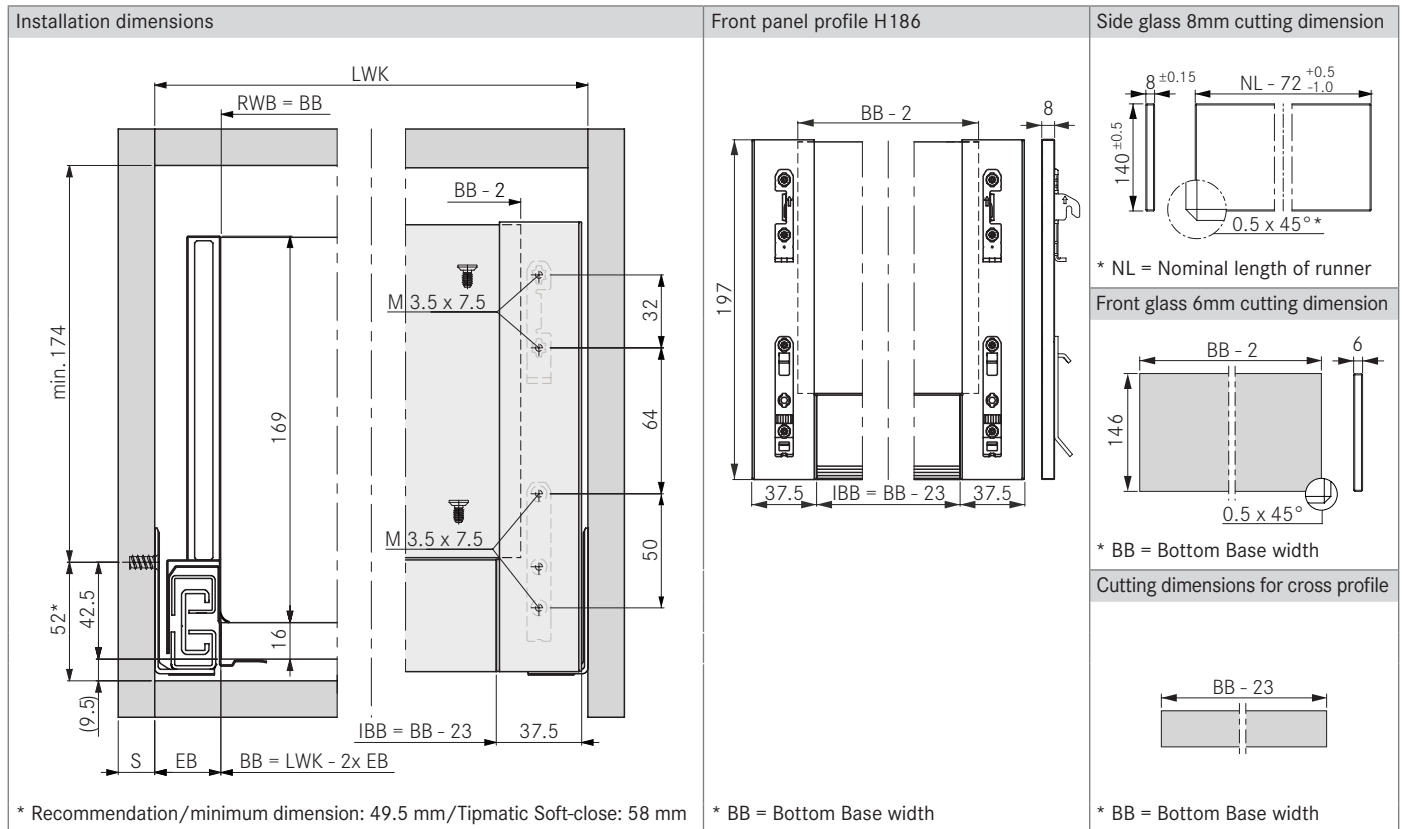
DESCRIPTION	CODE	COLOUR	PACK SIZE
INSET PANEL 8MM CRYSTAL BRACKET	F102132468211	STONE	SET
INSET PANEL 8MM CRYSTAL BRACKET	F102132469211	WHITE	SET
INSET PANEL 8MM CRYSTAL BRACKET	F102132470211	SILVER	SET
ACC FOR INSET PANEL	F102132471511	STONE	SET
ACC FOR INSET PANEL	F102132472511	WHITE	SET
ACC FOR INSET PANEL	F102132473511	SILVER	SET

**FEATURES:** Elegant design  
 Low complexity of parts  
 Easy to install  
 Slide in front element is 6 MM

Slide in side element is 8 MM  
 Can be used with H186 and Crystal Plus  
 drawer sides

PLANNING DIMENSIONS

All dimensions in millimetres





DESCRIPTION	SIZE	FINISH
NOVA PRO SCALA CUSTOM LAUNDRY DRAWER	450 MM - 600 MM	STONE / WHITE / SILVER

<b>FEATURES:</b>	<ul style="list-style-type: none"> <li>Up to 600 MM wide</li> <li>Large high front</li> <li>High drawer side of 250 MM</li> <li>Tilt angle adjustment by means of railing</li> <li>Suitable for all large container options eg. Dog food storage</li> </ul>
------------------	---



DESCRIPTION	SIZE	FINISH
NOVA PRO SCALA CUSTOM SPICE PULLOUT	150 MM - 400 MM	STONE / WHITE / SILVER

<b>FEATURES:</b>	<ul style="list-style-type: none"> <li>Spice and bottle pullout in custom widths</li> <li>From 150 MM - 400 MM widths</li> <li>2 or 3 tiers</li> <li>Use with 63 MM, 90 MM, 122 MM and 186 MM drawer side heights</li> <li>80 KG or 120 KG weight capacities</li> </ul>
------------------	---



DESCRIPTION	SIZE	FINISH
NOVA PRO SCALA RECYCLING BIN 450 MM	450 MM	STONE / WHITE / SILVER

<b>FEATURES:</b>	<ul style="list-style-type: none"> <li>Large high front</li> <li>Cost effective bin system</li> <li>Use with 90 MM 122 MM or 185MM drawer side heights</li> <li>Tilt angle adjustment by means of railing</li> <li>Litre capacity 35 L x 2</li> </ul>
------------------	---



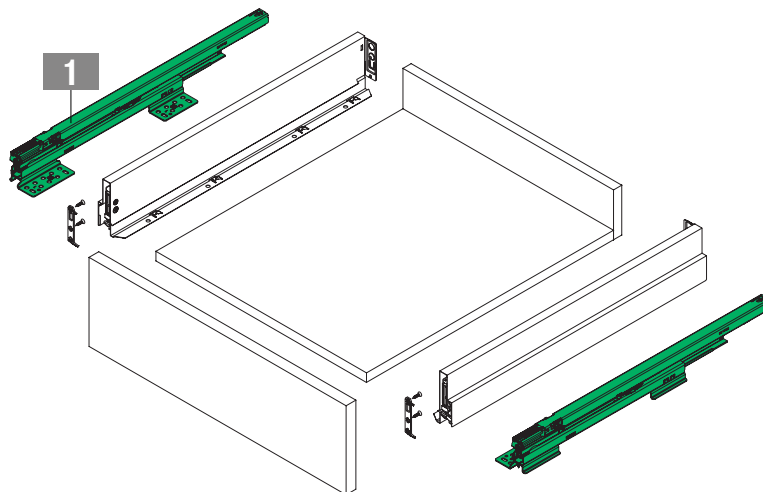
DESCRIPTION	CODE	SIZE	FINISH
NOVA PRO SCALA VEGETABLE DRAWER	NPVEG/450	450 MM	STONE / WHITE / SILVER
NOVA PRO SCALA VEGETABLE DRAWER	NPVEG/600	600 MM	STONE / WHITE / SILVER

<b>FEATURES:</b>	<ul style="list-style-type: none"> <li>Perforated design allows air to circulate</li> <li>Anodised aluminium base will resist corrosion and maintain constant ventilation</li> <li>Anodised aluminium is food safe</li> <li>Does not react with food</li> <li>Easy to clean surface</li> <li>Extends shelf life of fresh produce by reducing condensation</li> <li>Can also be used with Nova Pro One</li> <li>Can be used with H90, H122 and H186 side heights</li> <li>500 MM deep</li> <li>Includes spacer block to clear hinges</li> </ul>
------------------	--





DESCRIPTION	CODE
NOVAPRO SLIDE BASE MOUNT 70 KG 450 MM LEFT	F101132331
NOVAPRO SLIDE BASE MOUNT 70 KG 450 MM RIGHT	F101132332
NOVAPRO SLIDE BASE MOUNT 70 KG 500 MM LEFT	F101132333
NOVAPRO SLIDE BASE MOUNT 70 KG 500 MM RIGHT	F101132334
TIPMATIC SOFT-CLOSE ACTIVATOR CLIP SET	F102132634



**FEATURES:**

Extends the options for flexible use and subdivision of cabinets,  
e.g. for waste separation systems  
Assembly on the cabinet base or shelf  
Synchronised full extension slide, 70 KG load capacity

Soft-close damping system  
Excellent running characteristics  
Compatible with Tipmatic Soft-close unit through additional activator  
Suitable for all Nova Pro drawer sides





DESCRIPTION	CODE	DEPTH	COLOUR
NOVA PRO ONE 90 MM	9.090.270.4.1.9	270 MM	STONE
NOVA PRO ONE 90 MM	9.090.400.3.1.9	400 MM	STONE
NOVA PRO ONE 90 MM	9.090.450.3.1.9	450 MM	STONE
NOVA PRO ONE 90 MM	9.090.500.3.1.9	500 MM	STONE
RAILSET RECTANGULAR	F102103519507	400 MM	STONE
RAILSET RECTANGULAR	F102103520507	450 MM	STONE
RAILSET RECTANGULAR	F102103521507	500 MM	STONE



DESCRIPTION	CODE	DEPTH	COLOUR
NOVA PRO ONE 90 MM	9.090.270.4.1.3	270 MM	SILVER
NOVA PRO ONE 90 MM	9.090.400.3.1.3	400 MM	SILVER
NOVA PRO ONE 90 MM	9.090.450.3.1.3	450 MM	SILVER
NOVA PRO ONE 90 MM	9.090.500.3.1.3	500 MM	SILVER
RAILSET RECTANGULAR	F102103537507	400 MM	SILVER
RAILSET RECTANGULAR	F102103538507	450 MM	SILVER
RAILSET RECTANGULAR	F102103539507	500 MM	SILVER



DESCRIPTION	CODE	DEPTH	COLOUR
NOVA PRO ONE 90 MM	9.090.270.4.1.1	270 MM	WHITE
NOVA PRO ONE 90 MM	9.090.400.3.1.1	400 MM	WHITE
NOVA PRO ONE 90 MM	9.090.450.3.1.1	450 MM	WHITE
NOVA PRO ONE 90 MM	9.090.500.3.1.1	500 MM	WHITE
RAILSET RECTANGULAR	F102103528507	400 MM	WHITE
RAILSET RECTANGULAR	F102103529507	450 MM	WHITE
RAILSET RECTANGULAR	F102103530507	500 MM	WHITE

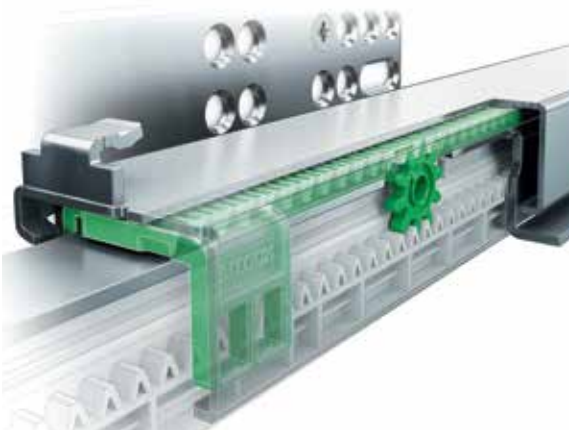
**FEATURES:** Modern design  
Compatible with Tavinea Sorto  
Fit railset at variable height  
Available in 30 KG, 40 KG and 70 KG options

Soft-close  
Fully synchronised slides  
Tipmatic retrofit as an add on  
Nova Pro Spacer 25 MM available on p.112





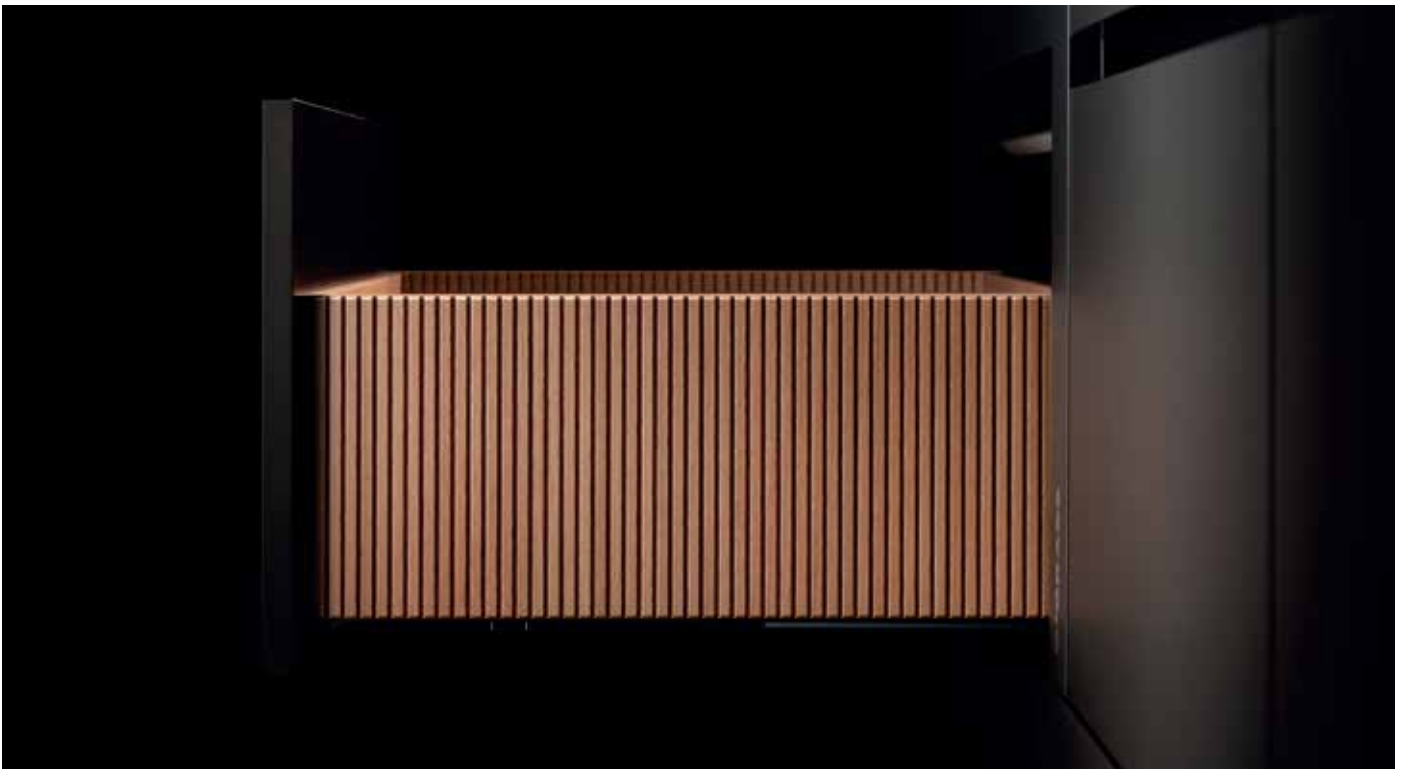
DRAWER TYPE	DRAWER LENGTH NL	CODE	ADD + 1D LOCKING DEVICE
DYNAMOOV SOFT-CLOSE 30 KG	270	F130107761211	F134101220
	300	F130107764211	F134101220
	350	F130107768211	F134101220
	400	F130107772211	F134101220
	450	F130107776210	F134101220
	500	F130107780210	F134101220
	550	F130107784210	F134101220

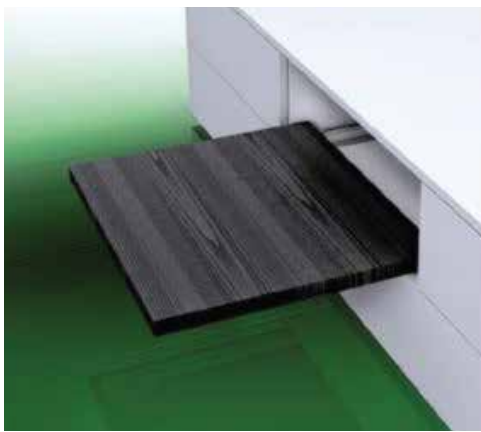


DRAWER TYPE	DRAWER LENGTH NL	CODE	ADD + 1D LOCKING DEVICE
DYNAMOOV TIPMATIC 30 KG	300	F130101115211	F134101220
	350	F130101117211	F134101220
	400	F130101119211	F134101220
	450	F130101121210	F134101220
	500	F130101123210	F134101220
	550	F130101125210	F134101220

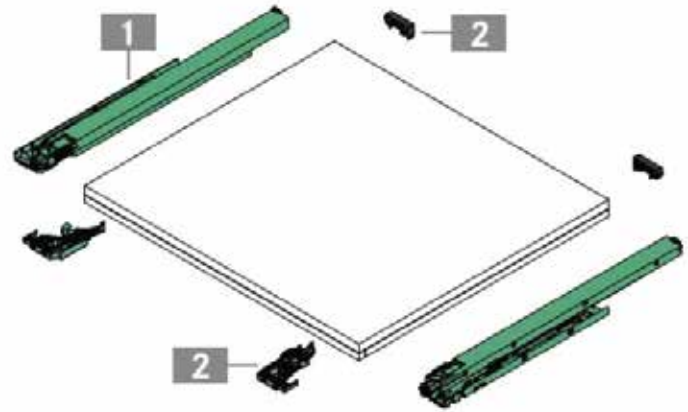
DRAWER TYPE	DRAWER LENGTH NL	CODE	ADD + 2D LOCKING DEVICE
DYNAPRO SOFT-CLOSE 40 KG	300	F130107796204	F134117193
	350	F130107802204	F134117193
	400	F130107808204	F134117193
	450	F130107814204	F134117193
	500	F130107820204	F134117193
	550	F130107826204	F134117193
DYNAPRO SOFT-CLOSE 70 KG	500	F130107838204	F134117193
TIPMATIC SOFT-CLOSE ADD-ON	SYNC ROD	F134109410207	
	ACTIVATOR	F134109323607	

**FEATURES:** Undermount slide 30 KG, 40 KG and 70 KG options      2D, 3D and 4D Adjustment options Fully synchronised      Full extension Minimum drawer deflection      Dynapro can be used with vionaro steel sides





DRAWER LENGTH	CODE	ADD SHELF CLIP SET
BASE MOUNT FULL EXTENSION 400 MM	F130107878211	F134107411517
BASE MOUNT FULL EXTENSION 450 MM	F130107884210	F134107411517
BASE MOUNT FULL EXTENSION 500 MM	F130107890210	F134107411517
BASE MOUNT FULL EXTENSION 550 MM	F130107893604	F134107411517

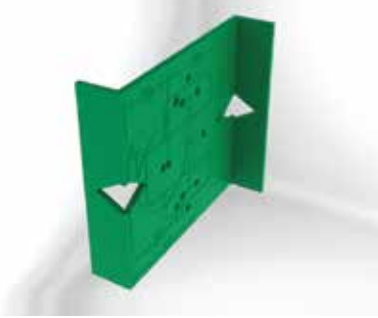


**FEATURES:**

Undermount base mount slide  
Full extension 40 KG load capacity  
Soft-close

Assembly on cabinet base  
Height adjustment + 3.5 M





DESCRIPTION	APPLICATION	CODE
HINGE AND PLATE JIG	MARKING HINGES + PLATES	F14613578217

- Easy marking and predrilling for hinges, cross and linear mounting plates.
- 48/9.5 MM Drilling pattern.



DESCRIPTION	APPLICATION	CODE
PILOT DRILL BIT 3.5 MM	PREDRILLING	F146035692299

- Pilot drill bit is used for predrilling holes for counter sunk chipboard screws.



DESCRIPTION	APPLICATION	CODE
SCREWDRIVER	POZI NO. 2	F147010257

- GRASS cross head screwdriver.



DESCRIPTION	APPLICATION	CODE
MARKING JIG V8 LOCK DEVICE / DYNAPRO	PREDRILL OF HOLES	F146133145507

- Predrilling of holes for: Front locking device / Hook holder
- For use with pilot drill bit



DESCRIPTION	APPLICATION	CODE
VIONARO V8 MARKING JIG	DRAWER FRONT	F146132636

- For exact marking of drawer front
- Can use for H89 | H121 | H200



DESCRIPTION	APPLICATION	CODE
NOVA PRO MARKING JIG H63	DRAWER FRONT	F146094036513
NOVA PRO MARKING JIG H90/122	DRAWER FRONT	F146092050299
NOVA PRO MARKING JIG H186/250	DRAWER FRONT	F146101908513

- For precise centre punching of holes for the Nova Pro installation hook.



DESCRIPTION	APPLICATION	CODE
DRILLING JIG FOR CABINET MEMBER DYNAPRO	CARCASS SIDE MARKING	F146101348507
DRILLING JIG FOR CABINET MEMBER NP/DP/DN	CARCASS SIDE MARKING	F146134452507

- For use with pilot drill bit.



DESCRIPTION	APPLICATION	CODE
VIONARO V13 MARKING JIG	DRAWER FRONT	F146100545513

- For exact marking of drawer front.
- Can use for H89 | H121 | H185 | H249



DESCRIPTION	APPLICATION	CODE
DRILLING JIG DYNAMOOV/DYNANEO	HOOK PLACEMENT	F146109874299

- Predrilling holes for: Locking device / rear hook placement
- 37 MM cabinet member holder / for use with pilot drill bit.



DESCRIPTION	APPLICATION	CODE
HINGE DRILLING JIG 500	HINGE HOLE DRILLING	F146078184201

- Drilling for Omni, Nexis and Tiomos hinges with wood screw fastening, pre assembled dowels of Impresso fitting and for cross mounting plates.
- 45/9.5 MM Drilling pattern.



FLAP TYPE	DESCRIPTION	POWER FACTOR	CODE
T - SLIM FLAP	SOFT CLOSE - STONE	500 - 1100	F151149005201
T - SLIM FLAP	SOFT CLOSE - STONE	1000 - 2250	F151149008201
T - SLIM FLAP	TIPMATIC - STONE	500 - 1100	F151149014201
T - SLIM FLAP	TIPMATIC - STONE	1000 - 2250	F151149017201
T - SLIM ADAPTER	ADAPTER - STONE	-	F161149020204

**FEATURES:** Inset flush fit on carcass side  
 Or surface mounted on carcass side (adapter needed)  
 Milling depth carcass side 12.2 MM  
 Milling depth door 13.7 MM  
 3D adjustment  
 Graphite cover caps  
 Available in soft close or auto opening (Tipmatic)  
 Available for wooden doors only in SA



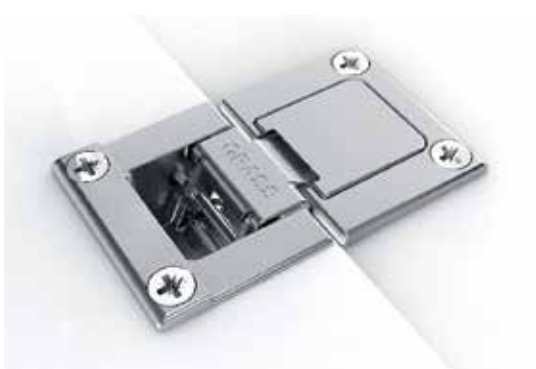
FLAP TYPE	MIN HEIGHT	MAX HEIGHT	RANGE OF FLAP	CODE
KINVARO T-65	200	300	WIDTH: UP TO 1200 MM	F151147797201
KINVARO T-70	300	400	WIDTH: UP TO 1200 MM	F151147693201
KINVARO T-75	400	600	WIDTH: UP TO 1200 MM	F151147700201

**FEATURES:** Soft close                      No hinges needed  
 Parking mode                      White cover caps only



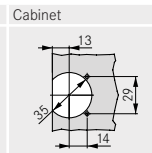
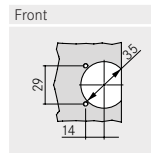


FLAP TYPE	MIN HEIGHT	MAX HEIGHT	MAX WEIGHT	CODE
KINVARO D-S WHITE 40N	200	480	3 KG	F053139664607
KINVARO D-S NIGHT 40N	200	480	3 KG	F053139665607
KINVARO D-S WHITE 60N	200	480	6 KG	F053139666607
KINVARO D-S NIGHT 60N	200	480	6 KG	F053139667607
KINVARO D-M WHITE 100N	200	480	10 KG	F053139662607 WH
KINVARO D-M NIGHT 100N	200	480	10 KG	F053139662607 N
KINVARO D-M WHITE 200N	200	480	12 KG	F053139687607 WH
KINVARO D-M NIGHT 200N	200	480	12 KG	F053139687607 N

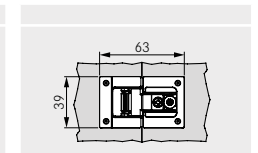
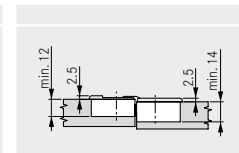


DESCRIPTION	APPLICATION	CODE	PACK SIZE
TIOMOS FLAP HINGE NICKEL	OVERLAY 90°	F053139671	EACH
TIOMOS FLAP HINGE NIGHT	OVERLAY 90°	F053139677	EACH
TIOMOS FLAP HINGE ADAPTER NICKEL	-	F053139676236	EACH
TIOMOS FLAP HINGE ADAPTER NIGHT	-	F053139684236	EACH

**DRILLING PATTERNS**



**CUP DIMENSIONS**

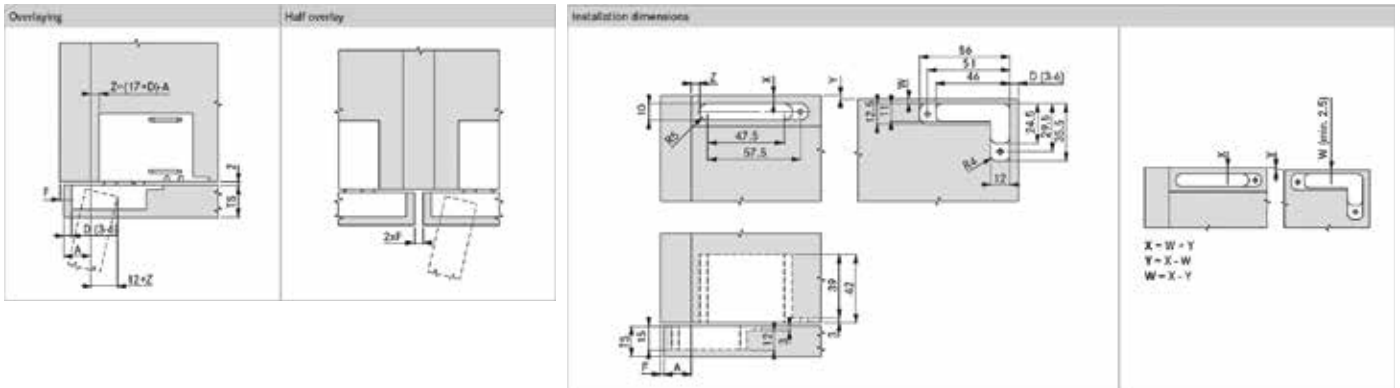


- FEATURES:**
- Modern design
  - 90° opening angle
  - For flap thicknesses of up to 21 MM
  - Narrow gaps between door and cabinet
  - Large overlay of up to 19 MM
  - 12 MM cup depth
  - 3 Dimensional adjustment
  - Very suitable for combining with the Kinvaro D flap stays





DESCRIPTION	APPLICATION	CODE	PACK SIZE
TIOMOS HIDDEN HINGE NICKEL	OVERLAY 105°	F051139126507	PAIR
TIOMOS HIDDEN HINGE NIGHT	OVERLAY 105°	F051139125507	PAIR



**FEATURES:** Perfectly concealed hinge  
 Opening angle 105°  
 Integrated Soft-close damper  
 Can be used with Aluminium Framed doors

3 Dimensional adjustment  
 For door thicknesses from 18 MM  
 Door rebate depth: 15 MM  
 Cabinet rebate depth: 42 MM

Surface: nickel-plated, night  
 Loadbearing capacity up to 18 KG





DESCRIPTION	APPLICATION	CODE	PACK SIZE
TIOMOS MIRROR/CLEAR GLASS HINGE 125°	MIRROR OR CLEAR GLASS	F029140325	EACH
TIOMOS MIRROR/CLEAR GLASS HINGE NIGHT	MIRROR OR CLEAR GLASS	F029140468	EACH
ECO CROSS 0 MM M/PLATE	-	F058139721217	EACH
ZAMAK ADAPTER FOR CLEAR GLASS	CLEAR GLASS	F072135868	EACH

**FEATURES:** 125° opening angle  
Fastening through door-side gluing of Zamak adapter  
Connection of the hinge to the adapter using a cam

Quick final assembly without glass drilling  
High overlay up to 19 MM



DESCRIPTION	APPLICATION	CODE	PACK SIZE
TIOMOS M9 HINGE 110°	DOOR THICKNESS FROM 12-28 MM	F029140334	EACH
ECO CROSS 0 MM M/PLATE	-	F058139721217	EACH

**FEATURES:** For door thicknesses up to max. 28 MM  
35 MM full cup drilled hole  
Low cup depth of 9 MM  
For mitred door applications

For rebate door applications  
3-dimensional adjustment with appropriate mounting plate  
For door overlays up to 25 MM



DESCRIPTION	APPLICATION	CODE	PACK SIZE
TIOMOS M0 HINGE 125°	DOOR THICKNESS 6-10 MM	F029140331217	EACH
ECO CROSS 0 MM M/PLATE	-	F058139721217	EACH

**FEATURES:** For door thicknesses for 6 - 10 MM  
No cup hole necessary  
3-dimensional adjustment  
For door overlays of up to 25 MM

Compatible with all mounting plates  
Zero protrusion up to 14 MM overlay  
125° opening angle



DESCRIPTION	APPLICATION	CODE	PACK SIZE
TIOMOS REFRIGERATOR HINGE 100°	FRIDGE APPLICATION	F045139052228	EACH
ECO CROSS 0MM M/PLATE	-	F058139721217	EACH

**FEATURES:** Flat hinge arm  
No soft-close

Hinge for fridge doors (sliding system)  
3-dimensional adjustment





DESCRIPTION	APPLICATION	CODE	PACK SIZE
TIOMOS HINGE DOWEL SOFT-CLOSE	OVERLAY 110°	F028138098228	150
TIOMOS HINGE DOWEL SOFT-CLOSE	HALF OVERLAY 110°	F028138099228	150
TIOMOS HINGE DOWEL SOFT-CLOSE	INSET OVERLAY 110°	F028138100217	150

**FEATURES:** Door thickness up to 24 MM  
 Dept adjustment via worm gear  
 3D Adjustment with appropriate mounting plates

Adjustable soft-close  
 12.6 MM Cup depth



DESCRIPTION	APPLICATION	CODE	PACK SIZE
TIOMOS HINGE DOWEL SOFT-CLOSE	INSET 110/45° CORNER	F028138118223	50

**FEATURES:** For 45° angled cabinets  
 110° Opening angle  
 3D Adjustment



DESCRIPTION	APPLICATION	CODE	PACK SIZE
TIOMOS HINGE DOWEL SOFT-CLOSE	INSET 90 MM POST HINGE	F028138120213	50

**FEATURES:** For blind corner applications  
 110° Opening angle  
 3D Adjustment



DESCRIPTION	APPLICATION	CODE	PACK SIZE
TIOMOS HINGE DOWEL SOFT-CLOSE	OVERLAY 155° MBP	F028138139217	50
TIOMOS HINGE DOWEL SOFT-CLOSE	HALF OVERLAY 155° MBP	F028138140213	50

**FEATURES:** 160° Opening angle  
 Zero protrusion  
 Shallow cup depth of 10 MM

Door thickness up to 32 MM  
 3D Adjustment



DESCRIPTION	APPLICATION	CODE	PACK SIZE
TIOMOS HINGE DOWEL NON SOFT-CLOSE	PIE-CUT/BI-FOLD	F045138092	50

**FEATURES:** For connecting 2 cabinet doors  
 Shallow cup depth 11.8 MM  
 3D Adjustment

24 MM Max door thickness  
 No soft-close





DESCRIPTION	APPLICATION	CODE	PACK SIZE
TIOMOS HINGE NIGHT B.BP	OVERLAY 110° NIGHT	F028139129228	EACH
TIOMOS HINGE IMPRESSO NIGHT	OVERLAY 110° NIGHT	F017140378228	EACH
TIOMOS HINGE ALU NIGHT	OVERLAY 110° 20/20 NIGHT	F028140404228	EACH
TIOMOS HINGE SCREW FIX NIGHT	OVERLAY 155° NIGHT	F028140944217	EACH
TIOMOS HINGE SCREW FIX NIGHT	BLIND CORNER NIGHT	F028140961223	EACH
TIOMOS MOUNTING PLATE NIGHT	1D LINEAR SCREW FIX 3 MM NIGHT	F059139979228	EACH
TIOMOS HINGE ARM COVER NIGHT	ARM COVER NIGHT	F072140519228	EACH
TIOMOS HINGE CUP COVER NIGHT	CUP COVER NIGHT	F072140520228	EACH
TIOMOS MOUNTING PLATE NIGHT	1D LINEAR SCREW FIX 0 MM NIGHT	F059139701217N	EACH
TIOMOS MOUNTING PLATE NIGHT	ECO CROSS SCREW FIX 3 MM NIGHT	F058139723228N	EACH
TIOMOS MOUNTING PLATE NIGHT	MOUNTED EURO FIX 3 MM NIGHT	F058139738228N	EACH



DESCRIPTION	APPLICATION	CODE	PACK SIZE
TIOMOS MOUNTING PLATE	ECO CROSS SCREW FIX - 2 MM	F058139720228	150
TIOMOS MOUNTING PLATE	ECO CROSS SCREW FIX 0 MM	F058139721217	150
TIOMOS MOUNTING PLATE	ECO CROSS SCREW FIX 3 MM	F058139723228	150
TIOMOS MOUNTING PLATE	ECO CROSS MOUNTED EURO FIX - 2 MM	F058139735228	150
TIOMOS MOUNTING PLATE	ECO CROSS MOUNTED EURO FIX 0 MM	F058139736228	150
TIOMOS MOUNTING PLATE	ECO CROSS MOUNTED EURO FIX 3 MM	F058139738228	150



DESCRIPTION	APPLICATION	CODE	PACK SIZE
TIOMOS MOUNTING PLATE	1D SCREW FIX 0 MM	F058139746217	150
TIOMOS MOUNTING PLATE	1D SCREW FIX 3 MM	F058139748217	150
TIOMOS MOUNTING PLATE	1D SCREW FIX 6 MM	F058139892217	150
TIOMOS MOUNTING PLATE	1D MOUNTED EURO SCREW 3 MM	F058139763217	150
TIOMOS MOUNTING PLATE	1D MOUNTED EURO SCREW 6 MM	F058139873217	150



DESCRIPTION	APPLICATION	CODE	PACK SIZE
TIOMOS MOUNTING PLATE	1D LINEAR SCREW FIX 0 MM	F058139701217	150
TIOMOS MOUNTING PLATE	1D LINEAR SCREW FIX 3 MM	F058139703217	150
TIOMOS MOUNTING PLATE	1D LINEAR DOWEL FIX 3 MM	F058139708228	150
TIOMOS MOUNTING PLATE	1D LINEAR EURO FIX 3 MM	F058139713228	150





DESCRIPTION	APPLICATION	CODE	PACK SIZE
NEXIS HINGE CLICK-ON SCREW-IN	FULL OVERLAY 100°	F015072722236	250
NEXIS HINGE CLICK-ON DOWEL	FULL OVERLAY 100°	F015072719236	250

**FEATURES:** Door thickness up to 24 MM  
 Cup depth 11 MM  
 Clip on with various plate options  
 Soft-close compatible  
 3 Dimensional adjustment with appropriate plate



DESCRIPTION	APPLICATION	CODE	PACK SIZE
NEXIS HINGE CLICK-ON SCREW-IN	HALF OVERLAY 100°	F015072729236	250
NEXIS HINGE CLICK-ON DOWEL	HALF OVERLAY 100°	F015072727236	250

**FEATURES:** Door thickness up to 24 MM  
 Cup depth 11 MM  
 Clip on with various plate options  
 Soft-close compatible  
 3 Dimensional adjustment with appropriate plate



DESCRIPTION	APPLICATION	CODE	PACK SIZE
NEXIS HINGE CLICK-ON SCREW-IN	INSET 100°	F015072736236	250
NEXIS HINGE CLICK-ON DOWEL	INSET 100°	F015072732236	250

**FEATURES:** Door thickness up to 24 MM  
 Cup depth 11 MM  
 Clip on with various plate options  
 Soft-close compatible  
 3 Dimensional adjustment with appropriate plate



DESCRIPTION	APPLICATION	CODE	PACK SIZE
NEXIS HINGE CLICK-ON SCREW-IN	INSET 45° CORNER	F015072751225	125
NEXIS HINGE CLICK-ON DOWEL	INSET 45° CORNER	F015072750225	125

**FEATURES:** Door thickness up to 30 MM  
 Cup depth 11.8 MM  
 Clip on with various plate options  
 Soft-close compatible  
 3 Dimensional adjustment with appropriate plate  
 95° Opening angle



DESCRIPTION	APPLICATION	CODE	PACK SIZE
NEXIS HINGE CLICK-ON SCREW-IN	INSET 83 MM POST/BLIND CORNER	F015072788225	125
NEXIS HINGE CLICK-ON DOWEL	INSET 83 MM POST/BLIND CORNER	F015072787225	125

**FEATURES:** Door thickness up to 30 MM  
 Cup depth 11.8 MM  
 Clip on with various plate options  
 Soft-close compatible  
 3 Dimensional adjustment with appropriate plate  
 95° Opening angle





DESCRIPTION	APPLICATION	CODE	PACK SIZE
NEXIS HINGE CLICK-ON SCREW-IN	FULL OVERLAY 170°	F015072842217	50
NEXIS HINGE CLICK-ON DOWEL	FULL OVERLAY 170°	F015072840217	50

**FEATURES:** Door thickness up to 26 MM  
 Cup depth 11 MM  
 Clip on with various plate options  
 Soft-close compatible  
 3 Dimensional adjustment with appropriate plate  
 Zero protusion hinge at 90° opening angle



DESCRIPTION	APPLICATION	CODE	PACK SIZE
NEXIS CLICK-ON CROSS M/PLATE	SCREW FIX 2 MM	F060073145236	250
NEXIS 1D LINEAR PLATE	SCREW FIX 2 MM	F060073130236	250
NEXIS 2D PLATE	SCREW FIX 2 MM	F061073254236	250



DESCRIPTION	APPLICATION	CODE	PACK SIZE
NEXIS CLICK-ON CROSS M/PLATE	MOUNTED EURO SCREW 2 MM	F060073180236	250
NEXIS CLICK-ON CROSS M/PLATE	EXPANDING DOWEL 2 MM	F060073186236	250
NEXIS CLICK-ON CROSS M/PLATE 2D	MOUNTED EURO SCREW 2 MM	F061073237236	250



DESCRIPTION	APPLICATION	CODE	PACK SIZE
NEXIS HINGE STANDARD	SOFT-CLOSE ADAPTER	F069073715225	125
NEXIS HINGE 170°	SOFT-CLOSE ADAPTER	F069073729225	125



DESCRIPTION	CODE	SIZE	FINISH
KPUSH TECH WITH BUFFER STRONG	57008080AB	70 MM	WHITE
MOUNTING PLATE WITH HOUSING	57010040	80 MM	WHITE
KPUSH TECH WITH BUFFER STRONG	57008080EE	70 MM	GRAPHITE
MOUNTING PLATE WITH HOUSING	57010040G	80 MM	GRAPHITE





DESCRIPTION	APPLICATION	CODE	PACK SIZE
EVORA HINGE CLICK-ON SCREW IN	FULL OVERLAY SOFT-CLOSE 110°	E36A07	200
EVORA HINGE CLICK-ON DOWEL	FULL OVERLAY SOFT-CLOSE 110°	E36A07N	200

**FEATURES:** Door thickness up to 16 MM  
Cup depth 11.3 MM  
Clip on with various plate options



DESCRIPTION	APPLICATION	CODE	PACK SIZE
EVORA HINGE CLICK-ON SCREW IN	HALF OVERLAY SOFT-CLOSE 110°	E36A03	200
EVORA HINGE CLICK-ON DOWEL	HALF OVERLAY SOFT-CLOSE 110°	E36A03N	200

**FEATURES:** Door thickness up to 16 MM  
Cup depth 11.3 MM  
Clip on with various plate options



DESCRIPTION	APPLICATION	CODE	PACK SIZE
EVORA HINGE CLICK-ON SCREW IN	INSET SOFT-CLOSE 110°	E36A01	200
EVORA HINGE CLICK-ON DOWEL	INSET SOFT-CLOSE 110°	E36A01N	200

**FEATURES:** Door thickness up to 16 MM  
Cup depth 11.3 MM  
Clip on with various plate options



DESCRIPTION	APPLICATION	CODE	PACK SIZE
EVORA HINGE CLICK-ON SCREW IN	INSET SOFT-CLOSE 45°	E12T02	100
EVORA HINGE CLICK-ON DOWEL	INSET SOFT-CLOSE 45°	E12T02N	100

**FEATURES:** Door thickness up to 16 MM  
Cup depth 11.3 MM  
Clip on with various plate options



DESCRIPTION	APPLICATION	CODE	PACK SIZE
EVORA HINGE CLICK-ON SCREW IN	INSET POST HINGE SOFT-CLOSE 110°	E1203	100
EVORA HINGE CLICK-ON DOWEL	INSET POST HINGE SOFT-CLOSE 110°	E1203N	100

**FEATURES:** Door thickness up to 16 MM  
Cup depth 11.3 MM  
Clip on with various plate options



DESCRIPTION	APPLICATION	CODE	PACK SIZE
EVORA HINGE CLICK-ON SCREW IN	FULL OVERLAY SOFT-CLOSE 165°	E2016	100
EVORA HINGE CLICK-ON DOWEL	FULL OVERLAY SOFT-CLOSE 165°	E2016N	100

**FEATURES:** Door thickness up to 16 MM  
 Cup depth 11.3 MM  
 Clip on with various plate options



DESCRIPTION	APPLICATION	CODE	PACK SIZE
EVORA M/PLATE CLICK-ON	SCREW FIX - 0 MM	C31H0-4HOLE	500



DESCRIPTION	APPLICATION	CODE	PACK SIZE
EVORA M/PLATE CLICK-ON	10 MM MOUNTED EURO SCREW - 0 MM	C31H0D-10	500



DESCRIPTION	APPLICATION	CODE	PACK SIZE
EVORA M/PLATE CLICK-ON	13 MM MOUNTED EURO SCREW - 0 MM	C31H0D-13	500



DESCRIPTION	APPLICATION	CODE	PACK SIZE
EVORA M/PLATE CLICK-ON	SCREW FIX - ID	C31CAMHO	500



DESCRIPTION	APPLICATION	CODE	PACK SIZE
YENZA HINGE CLICK-ON SCREW-IN	FULL OVERLAY SOFT-CLOSE 110°	YB0606	200
YENZA HINGE CLICK-ON DOWEL	FULL OVERLAY SOFT-CLOSE 110°	YB0606N	200

**FEATURES:** Door thickness up to 16 MM  
Cup depth 11.3 MM  
Clip on with various plate options



DESCRIPTION	APPLICATION	CODE	PACK SIZE
YENZA HINGE CLICK-ON SCREW-IN	HALF OVERLAY SOFT-CLOSE 110°	YB0603	200
YENZA HINGE CLICK-ON DOWEL	HALF OVERLAY SOFT-CLOSE 110°	YB0603N	200

**FEATURES:** Door thickness up to 16 MM  
Cup depth 11.3 MM  
Clip on with various plate options



DESCRIPTION	APPLICATION	CODE	PACK SIZE
YENZA HINGE CLICK-ON SCREW-IN	INSET SOFT-CLOSE 110°	YB0601	200
YENZA HINGE CLICK-ON DOWEL	INSET SOFT-CLOSE 110°	YB0601N	200

**FEATURES:** Door thickness up to 16 MM  
Cup depth 11.3 MM  
Clip on with various plate options



DESCRIPTION	APPLICATION	CODE	PACK SIZE
YENZA HINGE CLICK-ON SCREW-IN	INSET SOFT-CLOSE 45°	YB12T02	100
YENZA HINGE CLICK-ON DOWEL	INSET SOFT-CLOSE 45°	YB 12T02N	100

**FEATURES:** Door thickness up to 16 MM  
Cup depth 11.3 MM  
Clip on with various plate options



DESCRIPTION	APPLICATION	CODE	PACK SIZE
YENZA HINGE CLICK-ON SCREW-IN	INSET POST HINGE SOFT-CLOSE 110°	YB12T03	100
YENZA HINGE CLICK-ON DOWEL	INSET POST HINGE SOFT-CLOSE 110°	YB12T03N	100

**FEATURES:** Door thickness up to 16 MM  
Cup depth 11.3 MM  
Clip on with various plate options



DESCRIPTION	APPLICATION	CODE	PACK SIZE
YENZA HINGE CLICK-ON SCREW-IN	FULL OVERLAY SOFT-CLOSE 165°	YB2016	100
YENZA HINGE CLICK-ON DOWEL	FULL OVERLAY SOFT-CLOSE 165°	YB2016N	100

**FEATURES:** Door thickness up to 16 MM  
Cup depth 11.3 MM  
Clip on with various plate options



DESCRIPTION	APPLICATION	CODE	PACK SIZE
YENZA M/PLATE CLICK-ON	SCREW FIX - 0 MM	YB50-4HOLE	500



DESCRIPTION	APPLICATION	CODE	PACK SIZE
YENZA M/PLATE CLICK-ON	13 MM MOUNTED EURO SCREW - 0 MM	YB50-13EURO	500



DESCRIPTION	APPLICATION	CODE	PACK SIZE
YENZA HINGE CLICK-ON SCREW IN	FULL OVERLAY 110°	Y0406	250
YENZA HINGE CLICK-ON DOWEL	FULL OVERLAY 110°	Y0406N	250

**FEATURES:** Door thickness up to 16 MM  
Cup depth 11.3 MM  
Clip on with various plate options



DESCRIPTION	APPLICATION	CODE	PACK SIZE
YENZA HINGE CLICK-ON SCREW IN	HALF OVERLAY 110°	Y0403	250
YENZA HINGE CLICK-ON DOWEL	HALF OVERLAY 110°	Y0403N	250

**FEATURES:** Door thickness up to 16 MM  
Cup depth 11.3 MM  
Clip on with various plate options



DESCRIPTION	APPLICATION	CODE	PACK SIZE
YENZA HINGE CLICK-ON SCREW IN	INSET 110°	Y0401	250
YENZA HINGE CLICK-ON DOWEL	INSET 110°	Y0401N	250

**FEATURES:** Door thickness up to 16 MM  
Cup depth 11.3 MM  
Clip on with various plate options



DESCRIPTION	APPLICATION	CODE	PACK SIZE
YENZA HINGE CLICK-ON SCREW IN	INSET 45° CORNER	Y12T02	100
YENZA HINGE CLICK-ON DOWEL	INSET 45° CORNER	Y12T02N	100

**FEATURES:** Door thickness up to 16 MM  
Cup depth 11.3 MM  
Clip on with various plate options



DESCRIPTION	APPLICATION	CODE	PACK SIZE
YENZA HINGE CLICK-ON SCREW IN	INSET/BLIND CORNER HINGE	Y12T03	100
YENZA HINGE CLICK-ON DOWEL	INSET/BLIND CORNER HINGE	Y12T03N	100

**FEATURES:** Door thickness up to 16 MM  
Cup depth 11.3 MM  
Clip on with various plate options



DESCRIPTION	APPLICATION	CODE	PACK SIZE
YENZA HINGE CLICK-ON SCREW IN	BI-FOLD/PIE-CUT FULL HOLE	Y12T04	100
YENZA HINGE CLICK-ON DOWEL	BI-FOLD/PIE-CUT FULL HOLE	Y12T04N	100

**FEATURES:** Door thickness up to 16 MM  
Cup depth 11.3 MM  
Clip on with various plate options



DESCRIPTION	APPLICATION	CODE	PACK SIZE
YENZA HINGE CLICK-ON SCREW IN	FULL OVERLAY 165°	Y2016	100
YENZA HINGE CLICK-ON DOWEL	FULL OVERLAY 165°	Y2016N	100

**FEATURES:** Door thickness up to 16 MM  
Cup depth 11.3 MM  
Clip on with various plate options



DESCRIPTION	APPLICATION	CODE	PACK SIZE
YENZA M/PLATE CLICK-ON	SCREW FIX	C31H0 - 4HOLE	500



DESCRIPTION	APPLICATION	CODE	PACK SIZE
YENZA M/PLATE CLICK-ON	10 MM MOUNTED EURO SCREW	C02H0D-10	500
YENZA M/PLATE CLICK-ON	13 MM MOUNTED EURO SCREW	C02H0D-13	500



DESCRIPTION	APPLICATION	CODE	PACK SIZE
YENZA HINGE AND PLATE SLIDE-ON SCREW IN	FULL OVERLAY	Y2811.007	200 PREPACK
YENZA HINGE SLIDE-ON SCREW IN	FULL OVERLAY	2809.400	200
YENZA HINGE SLIDE-ON DOWEL	FULL OVERLAY	2809.400N	200
YENZA HINGE AND PLATE SLIDE-ON SCREW IN	HALF OVERLAY	2811.015	200 PREPACK
YENZA HINGE SLIDE-ON SCREW IN	HALF OVERLAY	2809.405	200
YENZA HINGE SLIDE-ON DOWEL	HALF OVERLAY	2809.405N	200
YENZA M/PLATE SLIDE-ON	4 HOLE SCREW-IN	2809.626	200
YENZA M/PLATE SLIDE-ON	2 HOLE MOUNTED EURO SCREW	2809.526	200

**FEATURES:** Pre-packed



DESCRIPTION	CODE	FINISH
TIPMATIC ACTIVATOR/SOFT-CLOSE 110°	OTMSC/H	BLACK
NEXIS TIPMATIC UNSPRUNG HINGE	F015072724236	NICKEL

**FEATURES:**

Mechanical operation  
Allows for handle free doors with soft-close action  
Easy fitting

Use for doors up to 2200 MM in height and 600 MM in width  
Use with GRASS Nexis Tipmatic hinge  
Max door weight is 20 KG





DESCRIPTION	CODE	SIZE	PACK SIZE
EVORA UNDERMOUNT FULL EXTENSION 35 KG	OUM302/350	350 MM	10
EVORA UNDERMOUNT FULL EXTENSION 35 KG	OUM302/400	400 MM	10
EVORA UNDERMOUNT FULL EXTENSION 35 KG	OUM302/450	450 MM	10
EVORA UNDERMOUNT FULL EXTENSION 35 KG	OUM302/500	500 MM	10

**FEATURES:** Full extension slide      Soft-close  
 Fully synchronised running      Same box cut as Dynapro / Dynamoov  
 35 KG weight capacity      2D adjustment





DESCRIPTION	CODE	SIZE	PACK SIZE	FINISH
YENZA UNDERMOUNT FULL EXTENSION 35 KG	YUM3341 /500	500 MM	10	ZINC

**FEATURES:** Full extension slide  
 35 KG weight capacity  
 Soft-close  
 2D adjustment

Same box cut as Dynamoov / Dynapro  
 50 000 cycle guarantee  
 Soft-close tension adjustment



DESCRIPTION	CODE	SIZE	PACK SIZE	FINISH
YENZA SUPER STEEL DRAWER SLIDE	550-704-086X270W	86 x 270	10	WHITE
YENZA SUPER STEEL DRAWER SLIDE	550-704-086X350W	86 x 350	10	WHITE
YENZA SUPER STEEL DRAWER SLIDE	550-704-086X400W	86 x 400	10	WHITE
YENZA SUPER STEEL DRAWER SLIDE	550-704-086X450W	86 x 450	10	WHITE
YENZA SUPER STEEL DRAWER SLIDE	550-704-086X500W	86 x 500	10	WHITE
YENZA SUPER STEEL DRAWER SLIDE	550-704-086X550W	86 x 550	10	WHITE
YENZA SUPER STEEL DRAWER SLIDE	550-704-150X450W	150 x 450	10	WHITE
YENZA SUPER STEEL DRAWER SLIDE	550-704-150X500W	150 x 500	10	WHITE
MARKING JIG FOR DRAWER FRONTS	5501		1	BLACK

DESCRIPTION	CODE	PACK SIZE	FINISH
SOFT-CLOSE ADAPTER	4401.125	EACH	GREY
SOFT-CLOSE PIN FOR STEEL SIDE DRAWER	4401.159	EACH	WHITE
SOFT-CLOSE PIN FOR WOODEN DRAWER	4401.143	EACH	GREY



DESCRIPTION	CODE	SIZE	PACK SIZE	FINISH
EVORA BALL BEARING FULL EXTENSION 45 KG	MBBF / 250	250 MM	10	ZINC
EVORA BALL BEARING FULL EXTENSION 45 KG	MBBF / 300	300 MM	10	ZINC
EVORA BALL BEARING FULL EXTENSION 45 KG	MBBF / 350	350 MM	10	ZINC
EVORA BALL BEARING FULL EXTENSION 45 KG	MBBF / 400	400 MM	10	ZINC
EVORA BALL BEARING FULL EXTENSION 45 KG	MBBF / 450	450 MM	10	ZINC
EVORA BALL BEARING FULL EXTENSION 45 KG	MBBF / 500	500 MM	10	ZINC
EVORA BALL BEARING FULL EXTENSION 45 KG	MBBF / 550	550 MM	10	ZINC
EVORA BALL BEARING FULL EXTENSION 45 KG	MBBF / 600	600 MM	10	ZINC



DESCRIPTION	CODE	SIZE	PACK SIZE	FINISH
EVORA BALL BEARING FULL EXTENSION SOFT-CLOSE 45 KG	MBBF/350SC	350 MM	10	ZINC
EVORA BALL BEARING FULL EXTENSION SOFT-CLOSE 45 KG	MBBF/400SC	400 MM	10	ZINC
EVORA BALL BEARING FULL EXTENSION SOFT-CLOSE 45 KG	MBBF/450SC	450 MM	10	ZINC
EVORA BALL BEARING FULL EXTENSION SOFT-CLOSE 45 KG	MBBF/500SC	500 MM	10	ZINC
EVORA BALL BEARING FULL EXTENSION SOFT-CLOSE 45 KG	MBBF/550SC	550 MM	10	ZINC





TAVINEA SORTO ORGANISING SYSTEM





DESCRIPTION	CODE	SIZE	FINISH
		W x D	
TAVINEA SORTO B276 - NOVAPRO	F007130058201	276 X 500	STONE
TAVINEA SORTO B276 - NOVAPRO	F007130059201	276 X 500	SILVER
TAVINEA SORTO B276 - VIONARO	F007130137201	276 X 500	GRAPHITE
TAVINEA SORTO B276 - NOVAPRO	F007130062201	276 X 550	STONE



DESCRIPTION	CODE	SIZE	FINISH
		W x D	
TAVINEA SORTO B186 - NOVAPRO	F007130086201	186 X 500	STONE
TAVINEA SORTO B186 - NOVAPRO	F007130087201	186 X 500	SILVER
TAVINEA SORTO B186 - VIONARO	F007130158201	186 X 500	GRAPHITE
TAVINEA SORTO B186 - NOVAPRO	F007130090201	186 X 550	STONE



DESCRIPTION	CODE	DEPTH	FINISH
TAVINEA SORTO DIVIDER RAIL - NOVAPRO	F007130114207	500	STONE
TAVINEA SORTO DIVIDER RAIL - NOVAPRO	F007130115207	500	SILVER
TAVINEA SORTO DIVIDER RAIL - VIONARO	F007130179207	500	GRAPHITE
TAVINEA SORTO DIVIDER RAIL - NOVAPRO	F007130118207	550	STONE



DESCRIPTION	CODE	SIZE	FINISH
		W x D	
TAVINEA SORTO KNIFE BLOCK - NOVAPRO	F007101995201	185 X 500	DARK ASH
TAVINEA SORTO KNIFE BLOCK - VIONARO	F007102424201	185 X 500	DARK ASH



DESCRIPTION	CODE	SIZE	FINISH
		W x D	
TAVINEA SORTO KNIFE BLOCK - NOVAPRO	F007101990201	185 X 500	LIGHT ASH
TAVINEA SORTO KNIFE BLOCK - VIONARO	F007102418201	185 X 500	LIGHT ASH





DESCRIPTION	CODE	SIZE	FINISH
		W x D	
TAVINEA SORTO SPICE RACK - NOVAPRO	F007101997201	185 X 500	DARK ASH
TAVINEA SORTO SPICE RACK - VIONARO	F007102426201	185 X 500	DARK ASH



DESCRIPTION	CODE	SIZE	FINISH
		W x D	
TAVINEA SORTO SPICE RACK - NOVAPRO	F007101992201	185 X 500	LIGHT ASH
TAVINEA SORTO SPICE RACK - VIONARO	F007102420201	185 X 500	LIGHT ASH



DESCRIPTION	CODE	SIZE	FINISH
		W x D	
TAVINEA SORTO FOIL HOLDER - NOVAPRO	F007101999201	185 X 500	DARK ASH
TAVINEA SORTO FOIL HOLDER - VIONARO	F007102428201	185 X 500	DARK ASH

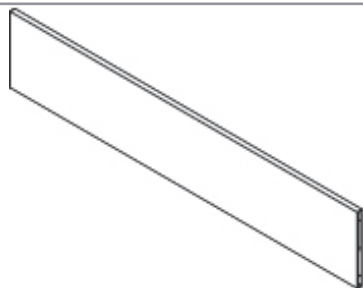


DESCRIPTION	CODE	SIZE	FINISH
		W x D	
TAVINEA SORTO FOIL HOLDER - NOVAPRO	F007101994201	185 X 500	LIGHT ASH
TAVINEA SORTO FOIL HOLDER - VIONARO	F007102422201	185 X 500	LIGHT ASH

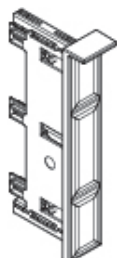


DESCRIPTION	CODE	SIZE	FINISH
		W x D	
TAVINEA SORTO SQUARE ELEMENT	F007102423201	185 X 208	LIGHT ASH
TAVINEA SORTO SQUARE ELEMENT	F007102429201	185 X 208	DARK ASH

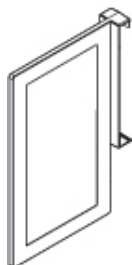




DESCRIPTION	CODE	COLOUR	PACK SIZE
TAVINEA OPTIMA DIVIDER PROFILE 1200 MM	F007130242507	GRAHITE	EACH
TAVINEA OPTIMA DIVIDER PROFILE 1200 MM	F007130243507	WHITE	EACH
TAVINEA OPTIMA DIVIDER PROFILE 1200 MM	F007130241507	SILVER	EACH



DESCRIPTION	CODE	COLOUR	PACK SIZE
TAVINEA OPTIMA PROFILE CLIP	F007130228511	GRAHITE	SET
TAVINEA OPTIMA PROFILE CLIP	F007130229511	WHITE	SET
TAVINEA OPTIMA PROFILE CLIP	F007130230511	SILVER	SET



DESCRIPTION	CODE	COLOUR	PACK SIZE
TAVINEA OPTIMA SMART BOARD	F007130245211	GRAHITE	EACH
TAVINEA OPTIMA SMART BOARD	F007130246211	WHITE	EACH
TAVINEA OPTIMA SMART BOARD	F007130247211	SILVER	EACH

**FEATURES:** Dividing system for pot drawers  
Tool-free installation  
Tool-free adjustment  
Can be retrofitted

Colour coordinated with drawer sides  
Can work with Vionaro, Novapro Scala and wooden drawers  
Organises the storage space for clear and tidy arrangement  
\*Only applicable for 185 MM height sides





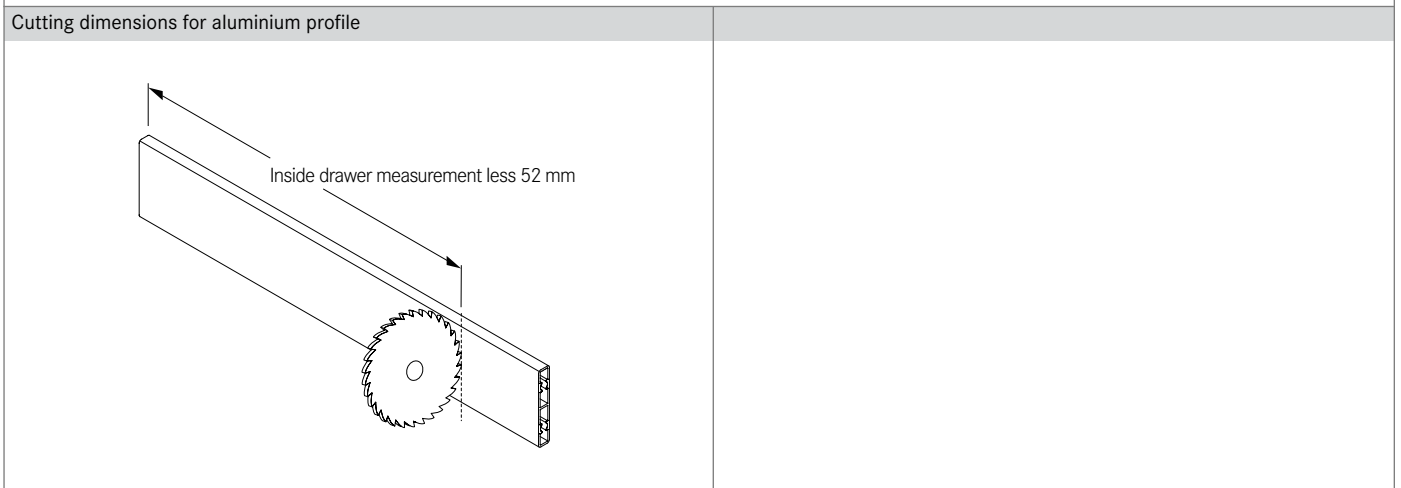
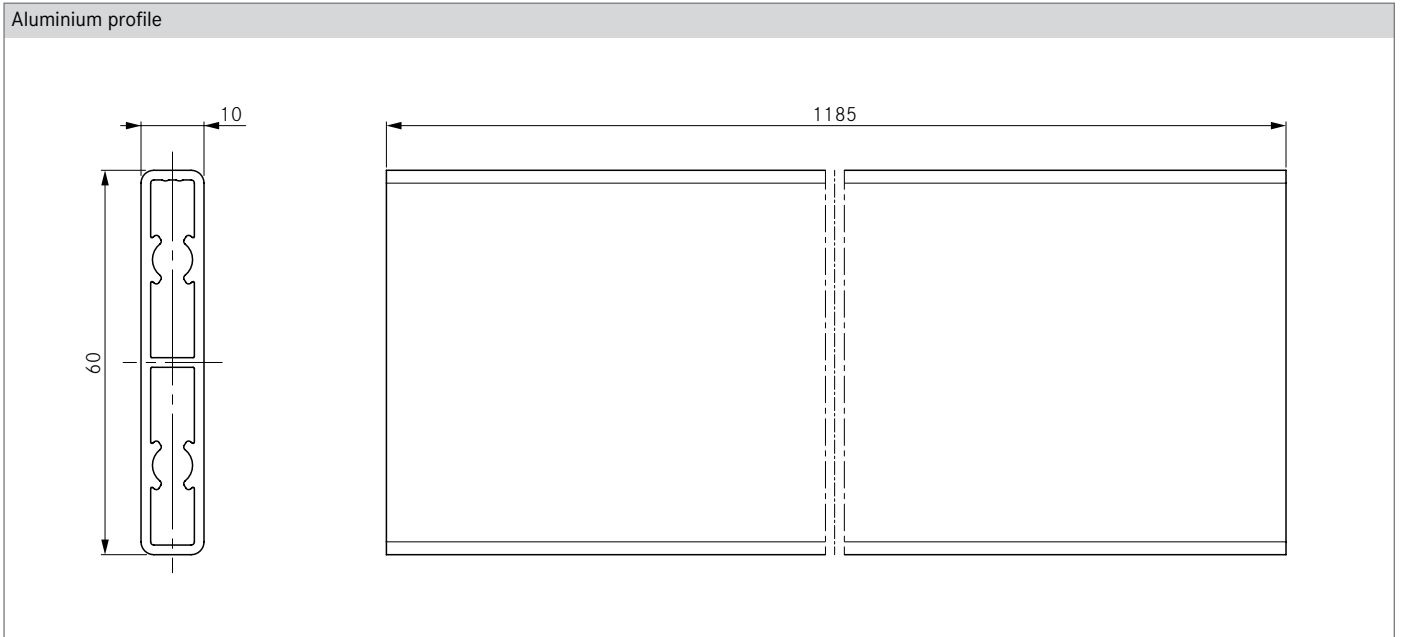
DESCRIPTION	CODE	COLOUR
DRAWER DIVIDER 1200 MM	F102102943207	STONE
CLAMPING UNIT - LEFT OR RIGHT	F102102932211	STONE

**FEATURES:**

- Elegant organisation of storage space by dividing the drawer
- Compensation of cabinet side wall thickness through spring-loaded clamping elements
- Aluminium profiles for cutting to length
- Easy to install
- Tool-free adjustment
- Can be retrofitted at any time
- Colour coordinated
- Can work with any drawer: Nova Pro, Vionaro and Wooden Box

PLANNING INFORMATION

All dimensions in millimetres





DESCRIPTION	CODE	SIZE	FINISH
		W X D	
NOVA PRO 450 MM CUTLERY INSERT	CNP450/500WH	360 X 480	WHITE
VIONARO 450 MM CUTLERY INSERT	CVI450/500WH	375 X 473	WHITE
INTEGRA 450 MM CUTLERY INSERT	CIN450/500WH	387 X 480	WHITE
NOVA PRO 450 MM CUTLERY INSERT	CNP450/500SIL	360 X 480	SILVER
VIONARO 450 MM CUTLERY INSERT	CVI450/500SIL	375 X 473	SILVER
NOVA PRO 450 MM CUTLERY INSERT	CNP450/500GRP	360 X 480	GRAPHITE
VIONARO 450 MM CUTLERY INSERT	CVI450/500GRP	375 X 473	GRAPHITE



DESCRIPTION	CODE	SIZE	FINISH
		W X D	
NOVA PRO 600 MM CUTLERY INSERT	CNP600/500WH	510 X 480	WHITE
VIONARO 600 MM CUTLERY INSERT	CVI600/500WH	525 X 473	WHITE
INTEGRA 600 MM CUTLERY INSERT	CIN600/500WH	537 X 480	WHITE
NOVA PRO 600 MM CUTLERY INSERT	CNP600/500SIL	510 X 480	SILVER
VIONARO 600 MM CUTLERY INSERT	CVI600/500SIL	525 X 473	SILVER
NOVA PRO 600 MM CUTLERY INSERT	CNP600/500GRP	510 X 480	GRAPHITE
VIONARO 600 MM CUTLERY INSERT	CVI600/500GRP	525 X 473	GRAPHITE



DESCRIPTION	CODE	SIZE	FINISH
		W X D	
NOVA PRO 900 MM CUTLERY INSERT	CNP900/500WH	810 X 480	WHITE
VIONARO 900 MM CUTLERY INSERT	CVI900/500WH	825 X 473	WHITE
INTEGRA 900 MM CUTLERY INSERT	CIN900/500WH	837 X 480	WHITE
NOVA PRO 900 MM CUTLERY INSERT	CNP900/500SIL	810 X 480	SILVER
VIONARO 900 MM CUTLERY INSERT	CVI900/500SIL	825 X 473	SILVER
NOVA PRO 900 MM CUTLERY INSERT	CNP900/500GRP	810 X 480	GRAPHITE
VIONARO 900 MM CUTLERY INSERT	CVI900/500GRP	825 X 473	GRAPHITE



DESCRIPTION	CODE	SIZE	FINISH
		W X D	
CLASSICO KNIFE INSERT	CKNIFE/WH	165 X 440	WHITE
CLASSICO KNIFE INSERT	CKNIFE/GRP	165 X 440	GRAPHITE
CLASSICO KNIFE INSERT	CKNIFE/SIL	165 X 440	SILVER



DESCRIPTION	CODE	SIZE	FINISH
		W X D	
CLASSICO SPICE INSERT	CSPICE/WH	165 X 440	WHITE
CLASSICO SPICE INSERT	CSPICE/GRP	165 X 440	GRAPHITE
CLASSICO SPICE INSERT	CSPICE/SIL	165 X 440	SILVER



DESCRIPTION	CODE	SIZE	FINISH
RUBBER CANVAS MAT	CMAT/SIL	25 M X 490 MM	SILVER
RUBBER CANVAS MAT	CMAT/GRP	25 M X 490 MM	GRAPHITE
RUBBER CANVAS MAT	CMAT/GRP 550	25 M X 530 MM	GRAPHITE



DESCRIPTION	CODE	SIZE	FINISH
RUBBER MAT SOLID	CMAT/WH	25 M X 490 MM	WHITE
RUBBER MAT SOLID	CMAT/WH 550	25 M X 530 MM	WHITE



DESCRIPTION	CODE	SIZE	FINISH
RUBBER MAT GLOBE	CMAT/BLK	25 M X 490 MM	BLACK
RUBBER MAT GLOBE	CMAT/BLK 550	25 M X 530 MM	BLACK

**FEATURES:** Our non-slip mats are highly practical and offer additional benefits. The anti-slip surface prevents objects from sliding about when drawers are opened and closed. It can also be easily removed for cleaning. Our mats can also be cut to fit most drawer sizes. \*Sold per/m





DESCRIPTION	CODE	SIZE	FINISH
GOLA HANDLE SLIM C ALU	SNA211CS	49 MM X 3 M	ALU
GOLA HANDLE SLIM L ALU	SNA211LS	40 MM X 3 M	ALU
GOLA HANDLE SLIM C BLACK	SNA211CB	49 MM X 3 M	BLACK
GOLA HANDLE SLIM L BLACK	SNA211LB	40 MM X 3 M	BLACK
GOLA HANDLE SLIM C WHITE	SNA211CW	49 MM X 3 M	WHITE
GOLA HANDLE SLIM L WHITE	SNA211LW	40 MM X 3 M	WHITE
FIXING BRACKET SLIM	SNA/F	-	STEEL

**FEATURES:** Allows for more height spacing inside the drawers  
 Square cut out  
 Makes vertical applications possible  
 End caps available for both options  
 More accurate cutting for mitre joints  
 Straight edge profile gives more elegant look

STANDARD:



Custom: Other colours available on request, minimum order of 10 lengths.





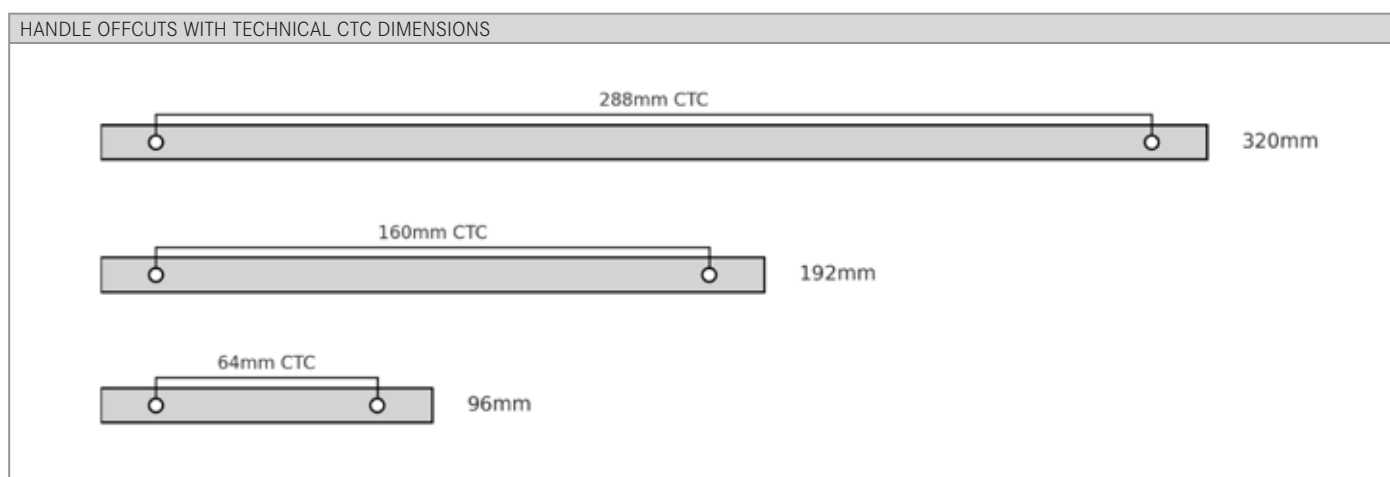
TYPE	96 MM	192 MM	320 MM	2.7 M	3.0 M	FINISH
VD5	-	-	-	-	VD5_3MBLK	BLACK
VD5	-	-	-	-	VD5_3MALU	ALUMINIUM
VD6	VD6_96BLK	VD6_192BLK	VD6_320BLK	VD6_2.7MBLK	VD6_3MBLK	BLACK
VD6	VD6_96WHT	VD6_192WHT	VD6_320WHT	-	-	WHITE
VD6	VD6_96ALU	VD6_192ALU	VD6_320ALU	VD6_2.7MALU	-	ALUMINIUM
VD6C	VD6C_96BLK	VD6C_192BLK	VD6C_320BLK	-	VD6C_3MBLK	BLACK
VD6C	VD6C_96WHT	VD6C_192WHT	VD6C_320WHT	-	-	WHITE
VD6C	VD6C_96ALU	VD6C_192ALU	VD6C_320ALU	-	VD6C_3MALU	ALUMINIUM

**FEATURES:** Suitable for cabinet doors and drawer fronts  
 Vertical mounting for all doors  
 Horizontal mounting for drawers

For custom sized and finished handles, request pricing from Vogue Doors  
 Thickness of handle is 2 MM - add this to the door size

STANDARD: \*CUSTOM:

\* Variable lead times apply



Scan for more resources.



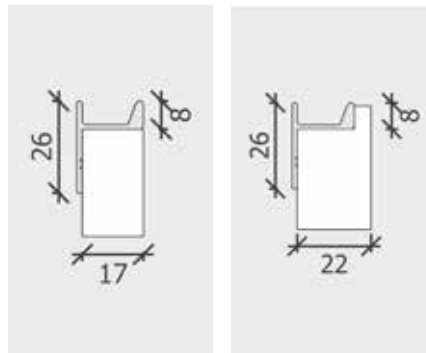
DESCRIPTION	CODE	SIZE	FINISH
FINGER GRIP HANDLE SHORT ALUMINIUM	VD9_ALU	3 M	ALU
FINGER GRIP HANDLE SHORT BLACK	VD9_BLK	3 M	BLACK

**FEATURES:** Cabinet Doors and Drawer Fronts  
 Top or bottom mounted to doors and drawer fronts  
 Can be used in conjunction with VD10

STANDARD:



CUSTOM: See available finishes on page 52



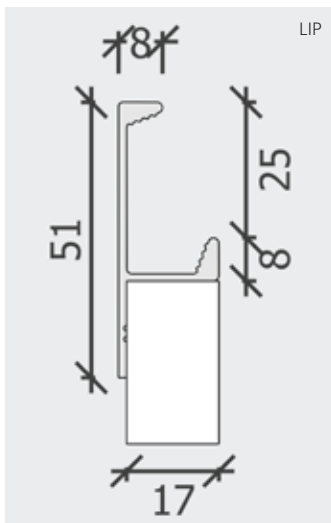
DESCRIPTION	CODE	SIZE	FINISH
FINGER GRIP HANDLE LONG ALUMINIUM	VD10.STR_ALU	3 M	ALU
FINGER GRIP HANDLE LONG BLACK	VD10.STR_BLK	3 M	BLACK
FINGER GRIP HANDLE LONG WITH LIP	VD10.LIP_ALU	3 M	ALU
FINGER GRIP HANDLE LONG WITH LIP	VD10.LIP_BLK	3 M	BLACK

**FEATURES:** Cabinet Doors and Drawer Fronts  
 Top or bottom mounted to doors and drawer fronts  
 Can be used in conjunction with VD9

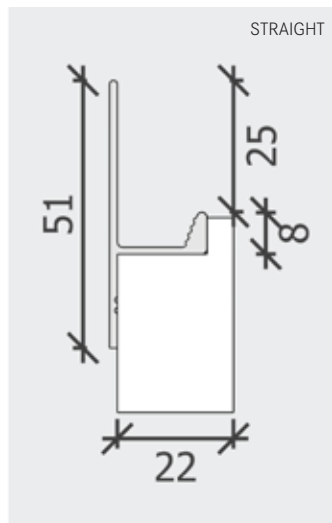
STANDARD:



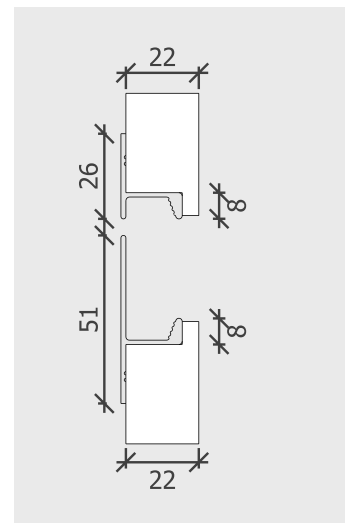
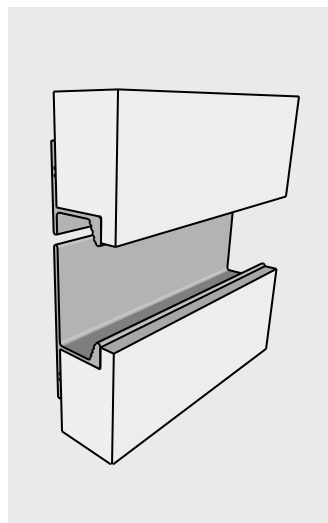
CUSTOM: See available finishes on page 52



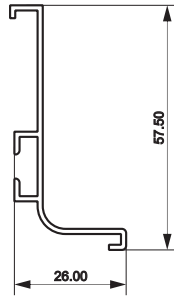
LIP



STRAIGHT



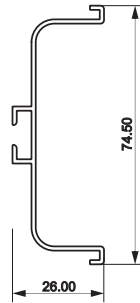
Scan for more resources.



DESCRIPTION	CODE	SIZE	COLOUR
GOLA PROFILE L ALU	VDGL_ALU	3 M	ALU*
GOLA PROFILE L BLACK	VDGL_BLK	3 M	BLACK
GOLA PROFILE L CHAMPAGNE	VDGL_CHP	3 M	CHAMPAGNE*

Custom finishes limited to Vogue powder-coating colour range below  
\*Anodised

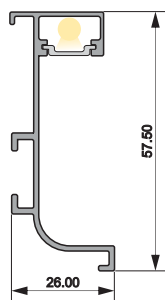
**FEATURES:** Handleless, modern aesthetic  
Easy finger-pull access  
Strong and durable aluminium construction



DESCRIPTION	CODE	SIZE	COLOUR
GOLA PROFILE C ALU	VDGC_ALU	3 M	ALU*
GOLA PROFILE C BLACK	VDGC_BLK	3 M	BLACK
GOLA PROFILE C CHAMPAGNE	VDGC_CHP	3 M	CHAMPAGNE*

Custom finishes limited to Vogue powder-coating colour range below  
\*Anodised

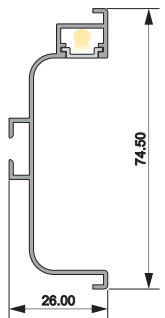
**FEATURES:** Handleless, modern aesthetic  
Easy finger-pull access  
Strong and durable aluminium construction



DESCRIPTION	CODE	SIZE	COLOUR
GOLA LED PROFILE L ALU	VDGLL_ALU	3 M	ALU*
GOLA LED PROFILE L BLACK	VDGLL_BLK	3 M	BLACK
GOLA LED PROFILE L CHAMPAGNE	VDGLL_CHP	3 M	CHAMPAGNE*

Custom finishes limited to Vogue powder-coating colour range below  
\*Anodised

**FEATURES:** Gola Handles with LEDs (L & C Shape)  
Handle profiles with integrated LED channels  
Built-in channel for LED strips (LEDs not included)  
Includes LED cover strip  
Ideal for high-end kitchens and feature cabinetry

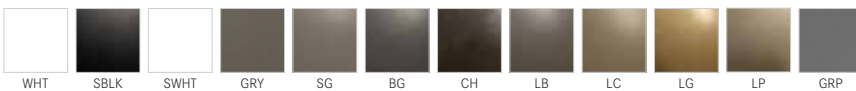


DESCRIPTION	CODE	SIZE	COLOUR
GOLA LED PROFILE C ALU	VDGCL_ALU	3 M	ALU*
GOLA LED PROFILE C BLACK	VDGCL_BLK	3 M	BLACK
GOLA LED PROFILE C CHAMPAGNE	VDGCL_CHP	3 M	CHAMPAGNE*

Custom finishes limited to Vogue powder-coating colour range below  
\*Anodised

**FEATURES:** Gola Handles with LEDs (L & C Shape)  
Handle profiles with integrated LED channels  
Built-in channel for LED strips (LEDs not included)  
Includes LED cover strip  
Ideal for high-end kitchens and feature cabinetry

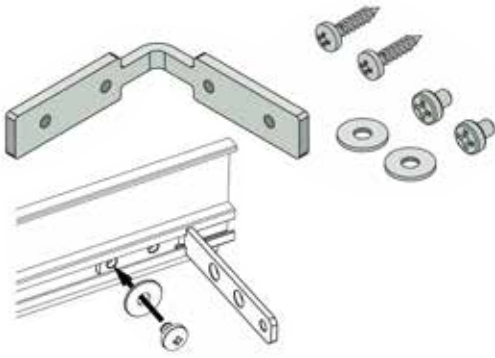
\* CUSTOM FINISHES



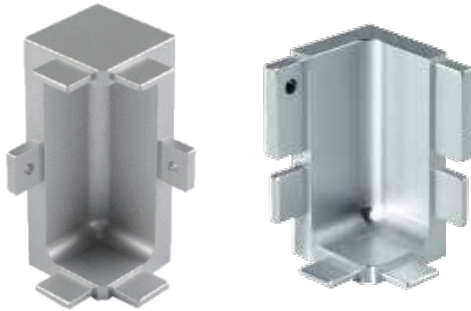
\* Variable lead times apply



Scan for more resources.

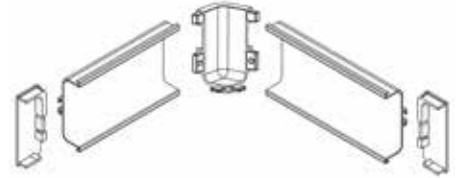


DESCRIPTION	CODE	COLOUR
FIXING BRACKET PAIR: QTY 2	VDG_FBS	-



DESCRIPTION	CODE	COLOUR
INTERNAL L CORNER - ALU	VDGLIC_ALU	ALU
INTERNAL L CORNER - BLACK	VDGLIC_BLK	BLACK
INTERNAL L CORNER - CHAMPAGNE	VDGLIC_CHP	CHAMPAGNE
INTERNAL C CORNER - ALU	VDGCIC_ALU	ALU
INTERNAL C CORNER - BLACK	VDGCIC_BLK	BLACK
INTERNAL C CORNER - CHAMPAGNE	VDGCIC_CHP	CHAMPAGNE

Custom finishes limited to Vogue powder-coating colour range (see page 54)

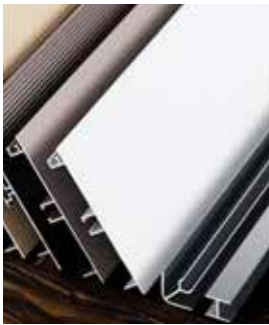


DESCRIPTION	CODE	COLOUR
END CAP L (LEFT AND RIGHT) PLASTIC - ALU	VDGLCAP_ALU	ALU
END CAP L (LEFT AND RIGHT) PLASTIC - BLACK	VDGLCAP_BLK	BLACK
END CAP L (LEFT AND RIGHT) PLASTIC - CHAMPAGNE	VDGLCAP_CHP	CHAMPAGNE
END CAP C (LEFT AND RIGHT) PLASTIC - ALU	VDGCCAP_ALU	ALU
END CAP C (LEFT AND RIGHT) PLASTIC - BLACK	VDGCCAP_BLK	BLACK
END CAP C (LEFT AND RIGHT) PLASTIC - CHAMPAGNE	VDGCCAP_CHP	CHAMPAGNE

Custom finishes limited to Vogue powder-coating colour range (see page 54)



Scan for more resources.



DESCRIPTION	CODE	SIZE	COLOUR
ALUMINIUM SKIRTING ALU	VDSK_ALU	3 M	ALU
ALUMINIUM SKIRTING BLACK	VDSK_BLK	3 M	BLACK

Custom finishes limited to Vogue powder-coating colour range (see page 54)



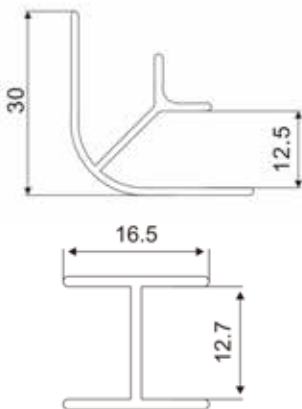
Includes bottom seal



Excludes legs and clips

**FEATURES:** Aluminium Skirtings and Joints  
Sleek base detail for cabinets and islands  
Protects cabinet bases

Internal corner and straight joints for neat transitions  
Lightweight and durable



DESCRIPTION	CODE	SIZE	COLOUR
SKIRTING STRAIGHT JOINT ALU	VDSKS_ALU	100 MM	ALU
SKIRTING STRAIGHT JOINT BLACK	VDSKS_BLK	100 MM	BLACK
SKIRTING CORNER JOINT ALU	VDSKC_ALU	100 MM	ALU
SKIRTING CORNER JOINT BLACK	VDSKC_BLK	100 MM	BLACK

Custom finishes limited to Vogue powder-coating colour range (see page 54)



Scan for more resources.



DESCRIPTION	CODE	FINISH
CORNER JOINT CONNECTOR FOR 2 SIDES	VC002_blk	BLACK
CORNER JOINT CONNECTOR FOR 3 SIDES	VC003_blk	BLACK
CORNER JOINT CONNECTOR FOR 4 SIDES	VC004_blk	BLACK
CORNER JOINT CONNECTOR FOR 5 SIDES	VC005_blk	BLACK
CORNER JOINT CONNECTOR FOR 3 SIDES + ADJUSTABLE FOOT	VC003.1_blk	BLACK
CORNER JOINT CONNECTOR FOR 4 SIDES + ADJUSTABLE FOOT	VC004.1_blk	BLACK
FRONT JOINER CONNECTOR FOR 3 SIDES	VC003.2	BLACK
FRONT JOINER CONNECTOR FOR 4 SIDES	VC004.2	BLACK



**APPLICATIONS:** Intergrated into the kitchen, freestanding furniture and visual room designs.

**FINISHES:** Standard: Black  
Custom: Available on request

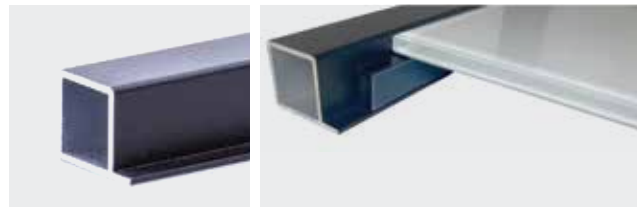
**BENEFITS:** Endless possibilities  
Modular and flexible use  
Simple assembly  
Easy delivery  
Wide selection of corner joints  
4 MM Glass shelf to be used

**SUPPLIED:** Components and profiles only  
Custom sizes and layouts - supplied cut to size and drilled, ready to assemble  
\*Screws included

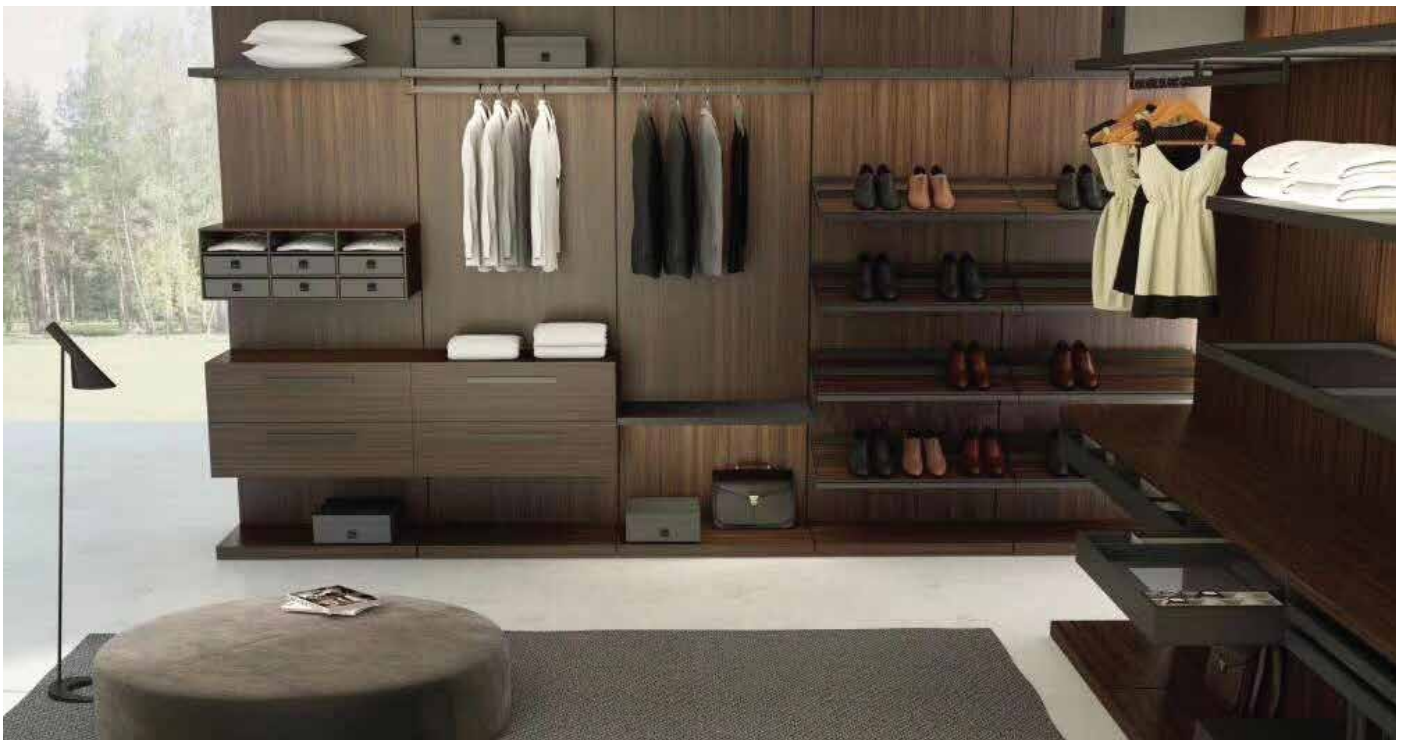


DESCRIPTION	SIZE	CODE	FINISH
FRAME PROFILE	20 x 20 MM	vCUBE_20x20_blk	BLACK
FRAME PROFILE WITH LIP	20 x 20 MM	vCUBE_20x20.lip_blk	BLACK
STRIP FOR GLASS INSERT	1200 MM	VC_Glass4_blk	GLASS

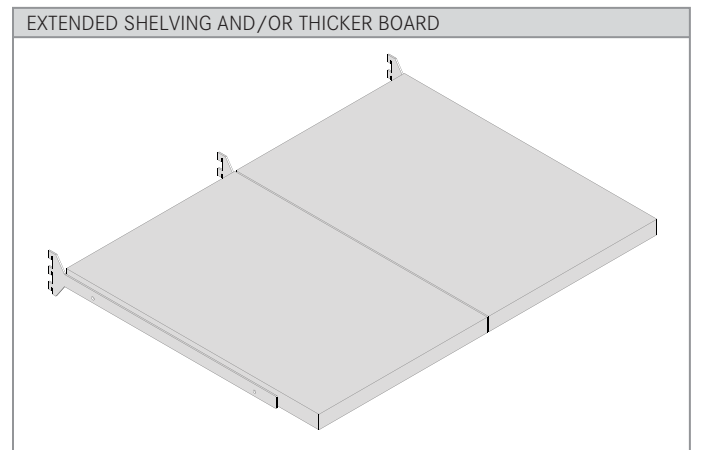
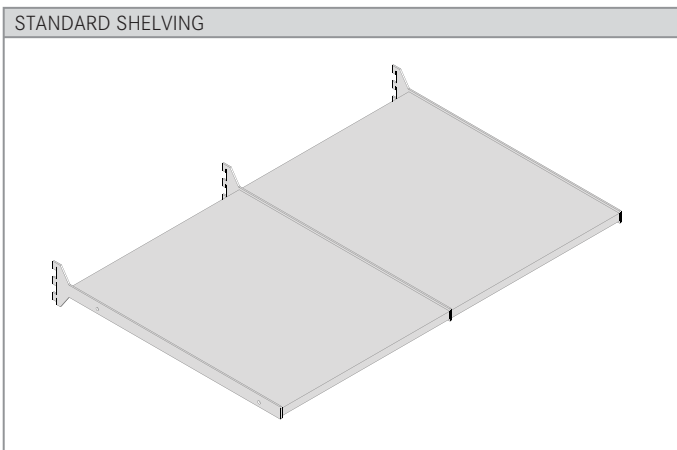
\*Strip fixed with double sided tape included.



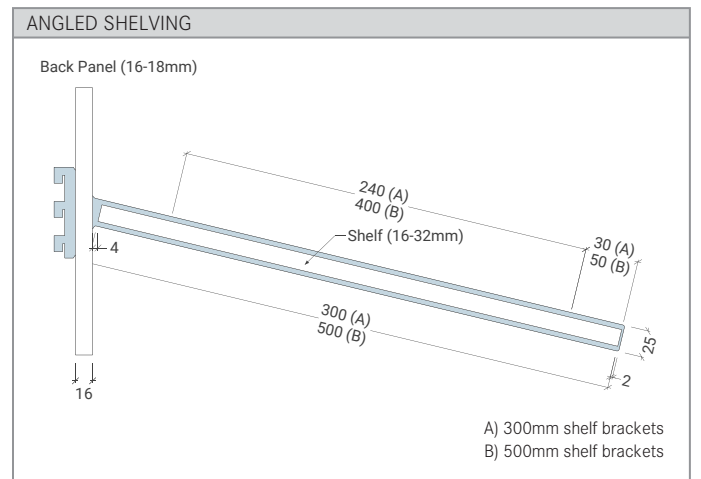
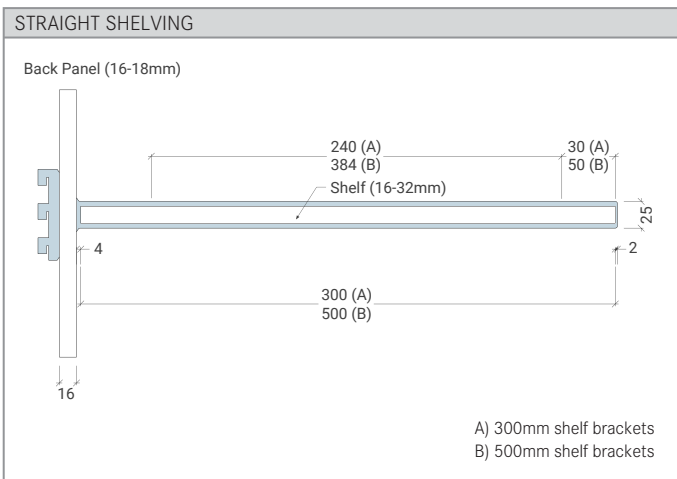
Scan for more resources.



VWALL SHELF LAYOUT OPTIONS



WALL SHELF DRILLING OPTIONS



Scan for more resources.



DESCRIPTION	CODE	FINISH
FIX VERTICAL PANEL KIT	VW_UPRIGHT.KIT_BLK	BLACK

\*Kit Includes: 1 x VW\_UPRIGHT\_BLK - Vertical upright  
 6 x VW001 - Upright fixing brackets | 12 x VW002 - Panel connector clips  
 1 x VW007 - Upright support plate | 1 x VW009 - Adjustable foot



DESCRIPTION	CODE	FINISH
CABINET HANGERS (PAIR)	VW008_BLK	BLACK



DESCRIPTION	CODE	FINISH
STRAIGHT SHELF BRACKET 300 MM	VW_SHELF.30_BLK	BLACK
STRAIGHT SHELF BRACKET 500 MM	VW_SHELF.50_BLK	BLACK



DESCRIPTION	CODE	FINISH
ANGLED SHELF BRACKET 300 MM	VW_SHELF.30ANG_BLK	BLACK
ANGLED SHELF BRACKET 500 MM	VW_SHELF.50ANG_BLK	BLACK



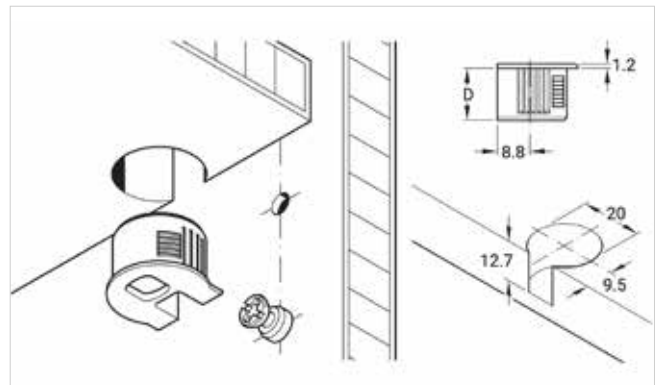
DESCRIPTION	CODE	FINISH
OUTER SHELF BRACKET FIXINGS - 2 PACK	VW005.1	BLACK



DESCRIPTION	CODE	FINISH
MIDDLE SHELF BRACKET FIXINGS - 4 PACK	VW005.2	BLACK



DESCRIPTION	CODE	FINISH
HANGING BAR BRACKETS INCL BAR HOLDER (PAIR)	VW009_BLK	BLACK



Scan for more resources.



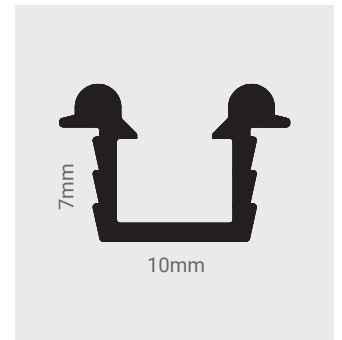
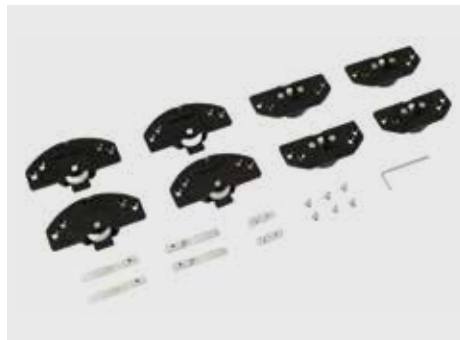
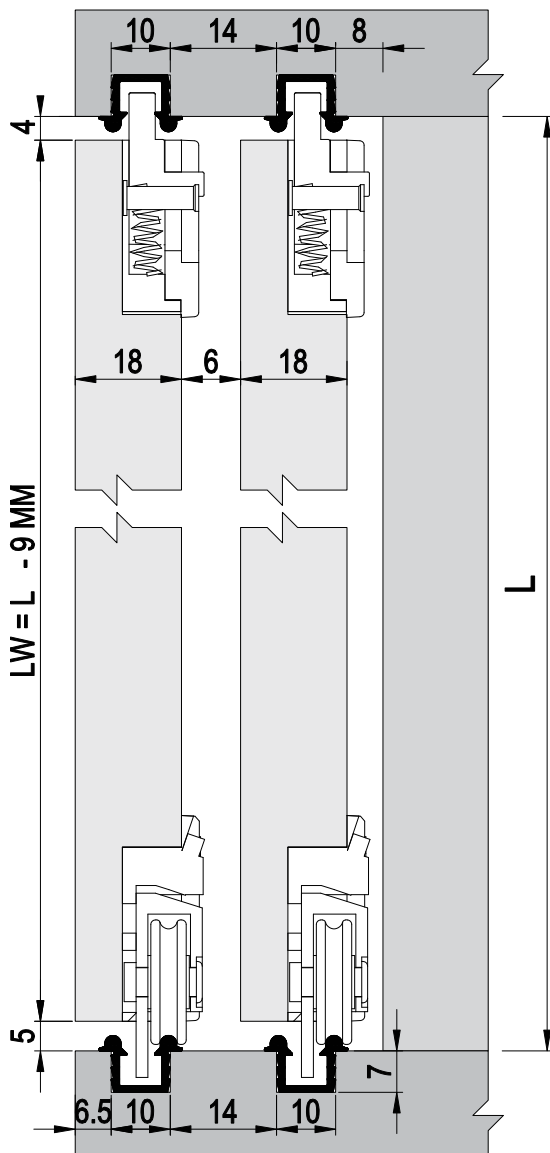
DESCRIPTION	CODE	FINISH
2 DOOR WHEEL SET + 4 X 1.5 M ALU TRACKS	VS_M01_KIT_ALU	ALU
2 DOOR WHEEL SET + 4 X 1.5 M BLACK TRACKS	VS_M01_KIT_BLK	BLACK
2 DOOR WHEEL SET + 4 X 2 M ALU TRACKS	VS_M01_KIT2M_ALU	ALU
2 DOOR WHEEL SET + 4 X 2 M BLACK TRACKS	VS_M01_KIT2M_BLK	BLACK

Regular inside fit system. Insert track is recessed into the top and bottom carcass.

**APPLICATIONS:** Base or top cabinets in kitchens, free standing furniture

**DOORS:** Door Types: Wood and aluminium frames  
 Door Thickness: 16 - 25 MM  
 Spacing of Top and Bottom tracks is dependent on door thickness choice  
 Door Weight: 40 KG  
 Door Size: 1500 MM x 900 MM (recommended)

**NOTES:** Smooth sliding action with easy height adjustment.  
 Easy to drill and fit wheelsets.

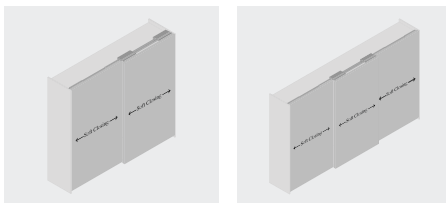


Scan for more resources.



DESCRIPTION	CODE	FINISH
3M TRACK, WHEEL SETS + SOFT CLOSERS FOR 2 DOORS	VS_M02.2DR	-
3M TRACK, WHEEL SETS + SOFT CLOSERS FOR 3 DOORS	VS_M02.3DR	-

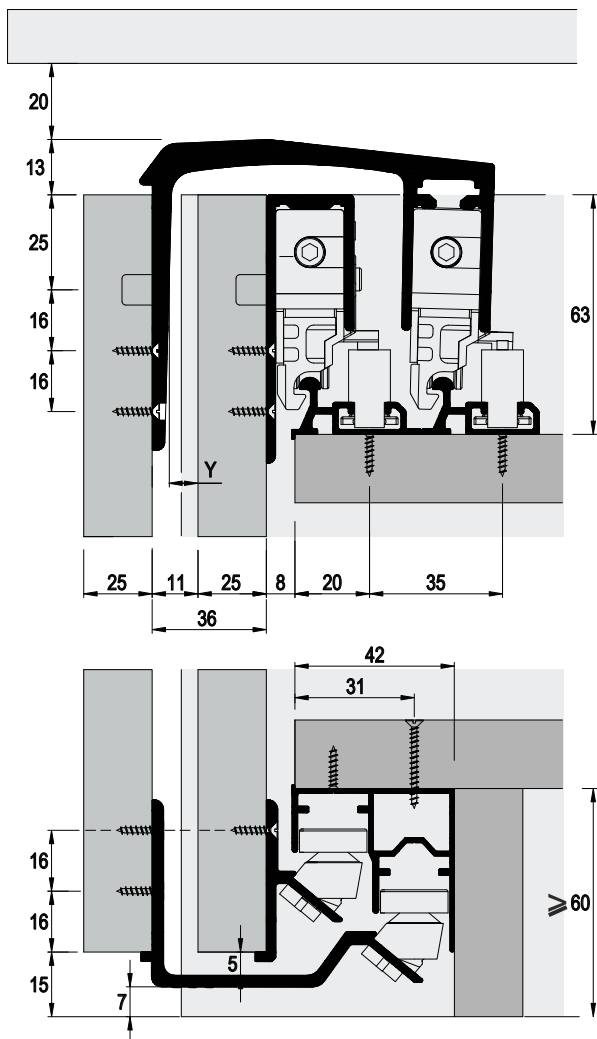
Custom tracks available on request - limited to Vogue powder-coating colour range



**APPLICATIONS:** Wardrobe sliding doors / pantry cupboards  
2, 3 or 4 door systems - available as kits or with complete built up doors to size

**DOORS:**  
Door Types: Wood / Board / Alu frames with glass or mirror  
Door Thickness: 16 MM to 25 MM  
Door Weight: up to 80 KG's / Min Door Weight: 25 KG's  
Door Size: 2400 MM x 1200 MM (recommended)  
Door Height: up to 2600 MM / Door Width: 600 MM to 1200 MM

**NOTES:** Integrated Soft Close comes standard on all doors - opening and closing  
Smooth sliding action with easy adjustment  
Build a strong sturdy carcass with no flex on the top, to accommodate the door weight and ensure allowances for bottom guide are built in.

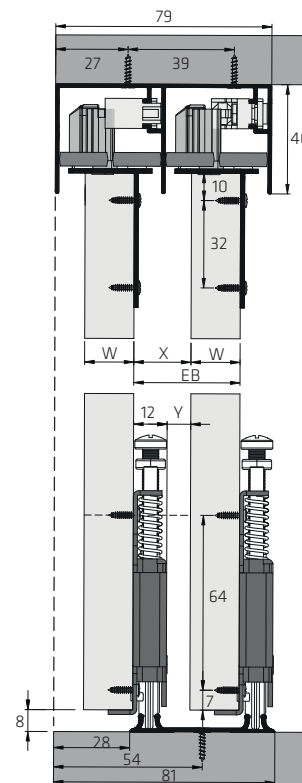
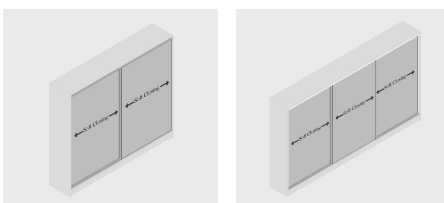


Scan for more resources.



DESCRIPTION	CODE	FINISH
WHEEL SETS + SOFT CLOSERS FOR 2 DOORS AND 3 M ALU TRACK	VS_M03.2DR	ALU
WHEEL SETS + SOFT CLOSERS FOR 2 DOORS AND 3 M BLACK TRACK	VS_M03.2DR_BLK	BLACK
WHEEL SETS + SOFT CLOSERS FOR 3 DOORS AND 3 M ALU TRACK	VS_M03.3DR	ALU
WHEEL SETS + SOFT CLOSERS FOR 3 DOORS AND 3 M BLACK TRACK	VS_M03.3DR_BLK	BLACK

Custom tracks available on request - limited to Vogue powder-coating colour range



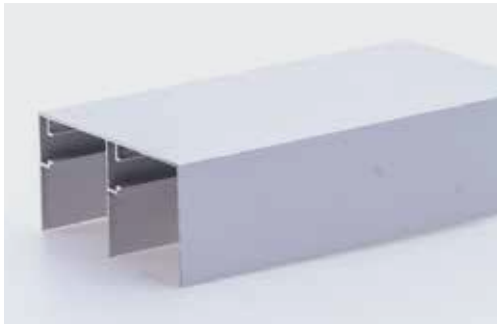
**APPLICATIONS:** Wardrobe sliding doors  
2, 3, or 4 door systems - available as kits or with complete built up doors to size

**DOORS:**  
Door Types: Glass, mirror and wood  
Door Thickness: 16 MM to 22 MM  
Door Weight: Up to 60 KG's / Min Door Weight: 22 KG's  
Door Size: 2440 MM x 1200 MM (recommended)  
Door Height: Up to 2500 MM / Door Width: 600 MM to 1200 MM

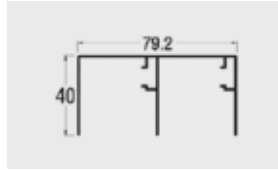
**NOTES:**  
Integrated Soft Close comes standard on all doors - opening and closing  
Easy soft close adjustment  
Smooth sliding action with easy height adjustment  
The principles of level, plumb and square apply for all types of sliding doors.  
We recommend that you do not rely on walls, floors and ceilings to be perfect. It is best to build a carcass for your sliding doors wherever possible.



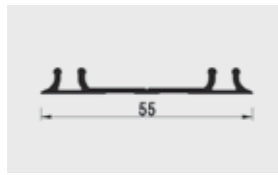
Scan for more resources.



DESCRIPTION	SIZE	CODE	FINISH
TOP TRACK	3M	-	-

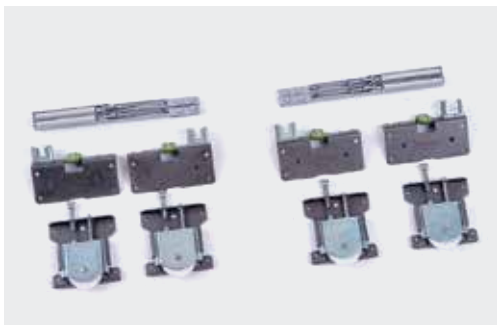
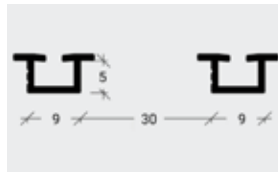


DESCRIPTION	SIZE	CODE	FINISH
BOTTOM TRACK	3M	-	-



DESCRIPTION	SIZE	CODE	FINISH
INSET TRACK 3M	3M	-	-

\*inset track for M03 & M04



DESCRIPTION	SIZE	CODE	FINISH
2 DOOR WHEEL SET W/ SOFT CLOSERS	-	VS_M03_WS.2DR	-



DESCRIPTION	SIZE	CODE	FINISH
3 DOOR WHEEL SET W/ SOFT CLOSERS	-	VS_M03_WS.3DR	-

The above is sold as kits with either bottom or inset tracks and not separate components.



Scan for more resources.



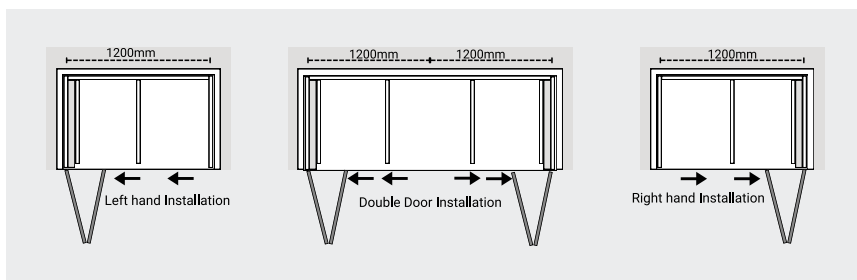
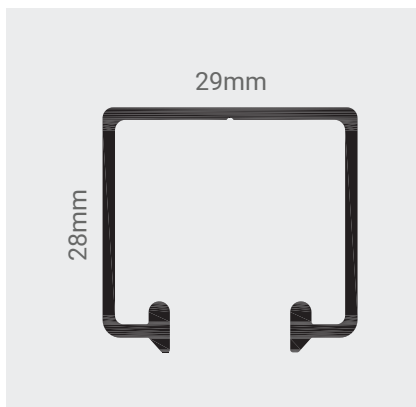
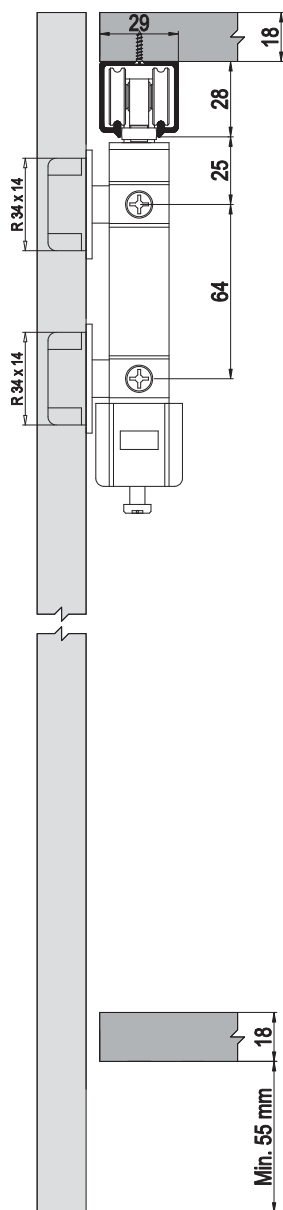
DESCRIPTION	CODE	FINISH
40 KG WINGSLIDE WHEEL SET FOR 2 DOORS + 1,5 M TOP TRACK	VS_M05_2DRKIT_ALU	ALU
40 KG WINGSLIDE WHEEL SET FOR 2 DOORS + 1,5 M TOP TRACK	VS_M05_2DRKIT_BLK	BLACK
ADDITIONAL HINGE FOR DOORS OVER 2 M	VS_M05_HINGE	-

Designed for top hanging folding wardrobe sliding doors where limited space for cabinet access is required.

**APPLICATIONS:** Wardrobes, scullery and cabinet doors  
2 or 4 door applications

**DOORS:** Door Types: Aluminium frame and Wood doors  
Door Thickness: 16 - 22 MM  
Door Weight: 40 KG for 2 doors  
Door Size: 2400 MM x 600 MM (recommended)

**NOTES:** Quick and easy installation.  
Top rail is fitted to the top carcass. Doors then fold and slide with the double hinge system on the 2nd door. (Excludes hinges on carcass side)  
Bottom guide optional for larger doors.



Scan for more resources.



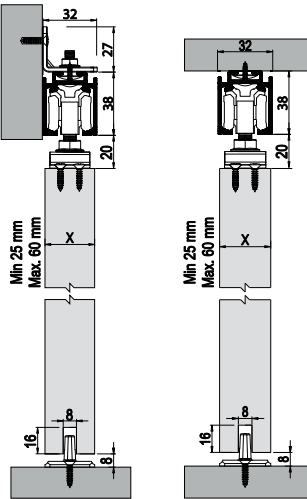
DESCRIPTION	CODE	FINISH
60 KG DOORSLIDE SYSTEM, 2WAY SOFT CLOSE + 2M TOP TRACK	VS_M20.60_KIT_ALU	ALU
60 KG DOORSLIDE SYSTEM, 2WAY SOFT CLOSE + 2M TOP TRACK	VS_M20.60_KIT_BLK	BLACK
120 KG DOORSLIDE SYSTEM, 2WAY SOFT CLOSE + 2M TOP TRACK	VS_M20.120_KIT_ALU	ALU
120 KG DOORSLIDE SYSTEM, 2WAY SOFT CLOSE + 2M TOP TRACK	VS_M20.120_KIT_BLK	BLACK

**APPLICATIONS:** Single or 2 door bathroom or internal door applications

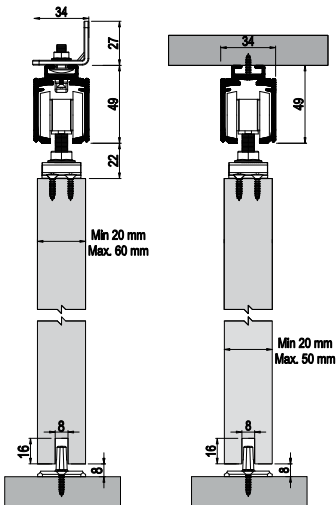
**DOORS:** Door Thickness: (M20.60) 25 MM - 60 MM | (M20.120) 20 - 60 MM  
 Door Weight: (M20.60) 60 KG per door | (M20.120) 120 KG per door  
 Door Height: Max 2600 MM  
 Door Width: (M20.60) Min 610 MM | (M20.120) Min 830 MM

**NOTES:** Integrated two way soft closing system.  
 All fixing brackets and guides included in kit.

### M20.60 DETAILS



### M20.120 DETAILS



Scan for more resources.



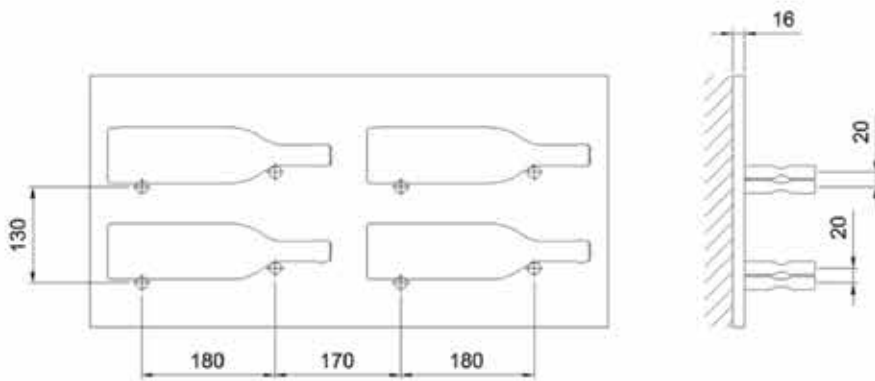
**DISPLAY WINE**  
decorative wine storage



DESCRIPTION	CODE	SIZE	FINISH
DISPLAY PIN - SINGLE BOTTLE_SILVER	DP_SINGLE_SILV	1 BOTTLE SET	SILVER
DISPLAY PIN - DOUBLE BOTTLE_SILVER	DP_DOUBLE_SILV	2 BOTTLE SET	SILVER
DISPLAY PIN - TRIPLE BOTTLE_SILVER	DP_TRIPLE_SILV	3 BOTTLE SET	SILVER



DESCRIPTION	CODE	SIZE	FINISH
DISPLAY PIN - SINGLE BOTTLE_BLACK	DP_SINGLE_BLK	1 BOTTLE SET	BLACK
DISPLAY PIN - DOUBLE BOTTLE_BLACK	DP_DOUBLE_BLK	2 BOTTLE SET	BLACK
DISPLAY PIN - TRIPLE BOTTLE_BLACK	DP_TRIPLE_BLK	3 BOTTLE SET	BLACK



### DISPLAY PINS:

The Display Pins are sold as a set and consist of 1 pin for the base of the bottle and 1 for the neck.

Key feature - label facing outwards for maximum visual display. Sets are available for 1, 2 or 3 bottles deep / behind each other.

Pins must fix through a board, not directly into the wall.

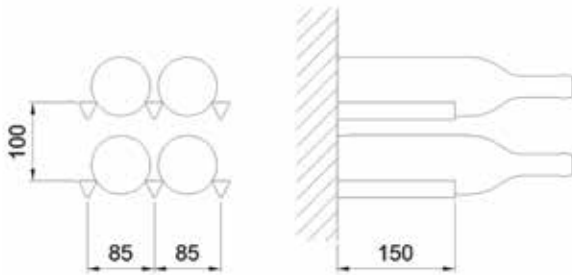




DESCRIPTION	CODE	QTY	FINISH
VINOWALL PINS WITH 50 MM SCREW - 150MM_SILVER	V_PINS10_SILVER	10	SILVER
VINOWALL PINS WITH 50 MM SCREW - 150MM_SILVER	V_PINS100_SILVER	100	SILVER



DESCRIPTION	CODE	QTY	FINISH
VINOWALL PINS WITH 50 MM SCREW - 150MM_BLACK	V_PINS10_BLK	10	BLACK
VINOWALL PINS WITH 50 MM SCREW - 150MM_BLACK	V_PINS100_BLK	100	BLACK



**V-PINS:** The V-Pins are used to hold the wine bottle in a cork facing direction. Maximum storage capacity gained from this method. Shared central pin. i.e 3 pins to hold 2 bottles.

The top of the pin supposed to be flat, with the point facing down, this allows the bottles to be spaced apart better and accommodate a wider variety of sizes.

Pins must fix through a board, not directly into the wall.



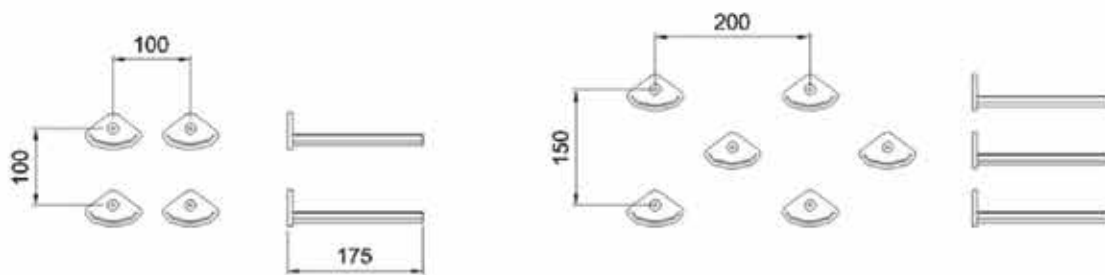


DESCRIPTION	CODE	SIZE	FINISH
SOLO WINE PIN_10	SOLO_PIN_BLK_10	73 MM X 175 MM	BLACK
SOLO WINE PIN_100	SOLO_PIN_BLK_100	73 MM X 175 MM	BLACK

**SOLO PINS:** The SOLO Pins have been designed to create an impressive floating bottle effect without seeing any racking.

Each SOLO PIN holds 1 bottle and can be attached directly to your brick or concrete wall, timber panel or kitchen cupboards.

They can be placed tightly together for maximum storage capacity, or far apart for greater space in between each bottle.

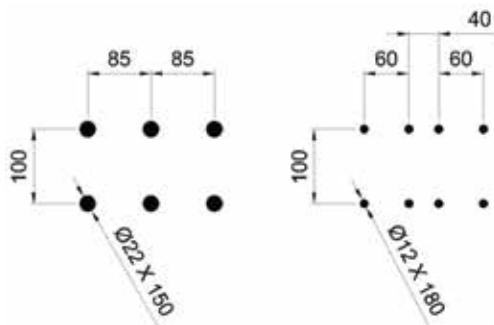




DESCRIPTION	CODE	SIZE	FINISH
ROUND WINE PIN 12 MM_10	WINEPIN_12MM_BLK_10	12 MM X 180 MM	BLACK
ROUND WINE PIN 12 MM_100	WINEPIN_12MM_BLK_100	12 MM X 180 MM	BLACK



DESCRIPTION	CODE	SIZE	FINISH
ROUND WINE PIN 22 MM_10	WINEPIN_22MM_BLK_10	22 MM X 150 MM	BLACK
ROUND WINE PIN 22 MM_100	WINEPIN_22MM_BLK_100	22 MM X 150 MM	BLACK



### ROUND WINE PINS:

The Round Pins are used to hold the wine bottle in a cork facing direction. Maximum storage capacity gained from this method.

Available in the 22 MM solid aluminium Round Pin (shared central pin. i.e 3 pins to hold 2 bottles).  
Also available in the thinner 12 MM solid Round Pin (requires 2 pins for every bottle stored).

Pins must fix through a board, not directly into the wall.

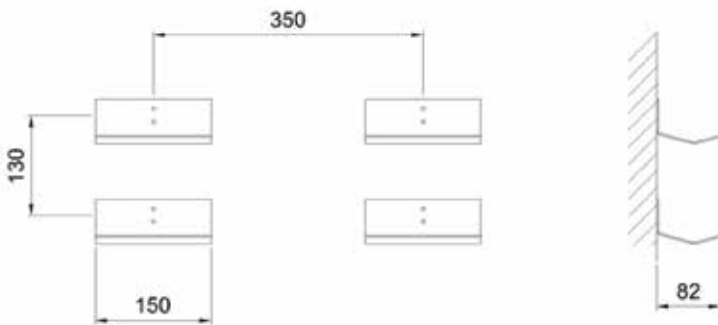




DESCRIPTION	CODE	SIZE	FINISH
WINE CRADLE WITH SCREWS - 150MM_BLACK	WCRADLE.10_BLK	10	BLACK
WINE CRADLE WITH SCREWS - 150MM_BLACK	WCRADLE.100_BLK	100	BLACK



DESCRIPTION	CODE	SIZE	FINISH
WINE CRADLE MAX WITH SCREWS - DOUBLE BOTTLE - 150MM_BLACK	WCRADLE_MAX.10_BLK	10	BLACK



### WINE CRADLE - LOOSE:

The Wine Cradle is our most popular wine racking item.

Allowing you to store wine in a label facing direction, without seeing the racking.

Front fixed directly into the wall or timber panel.

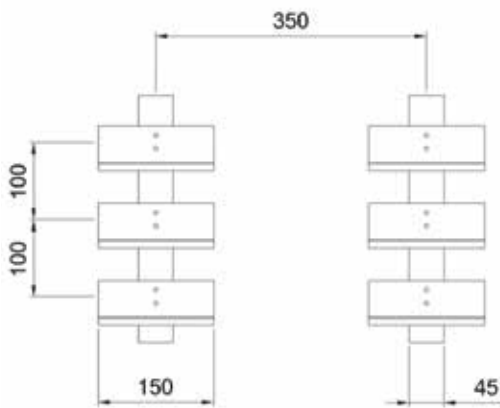




DESCRIPTION	CODE	SIZE	FINISH
BLACK SPINE WITH BLACK CRADLES_700 MM	SPINE_700.BBLK	7 BOTTLES	BLACK
BLACK SPINE WITH BLACK CRADLES_1400 MM	SPINE_1400.BBLK	14 BOTTLES	BLACK
BLACK SPINE WITH BLACK CRADLES_2100 MM	SPINE_2100.BBLK	21 BOTTLES	BLACK



DESCRIPTION	CODE	SIZE	FINISH
BLACK SPINE WITH BLACK CRADLE MAX_700 MM	SPINE.MAX_700.BBLK	14 BOTTLES	BLACK
BLACK SPINE WITH BLACK CRADLE MAX_1400 MM	SPINE.MAX_1400.BBLK	28 BOTTLES	BLACK
BLACK SPINE WITH BLACK CRADLE MAX_2100 MM	SPINE.MAX_2100.BBLK	42 BOTTLES	BLACK



### WINE CRADLE:

We fit these Wine Cradles to a 45 MM x 16 MM Black aluminium Spine for convenient and fast installation.

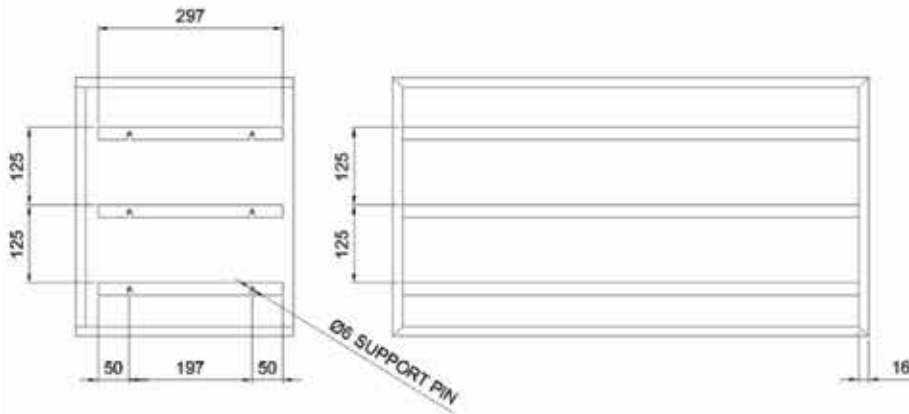
Front fixed directly into the wall or timber panel.

Sold as 700 MM units that connect together to make 1400 MM and 2100 MM spines.





DESCRIPTION	CODE	QTY	FINISH
WINE SHELF BLACK FRAME, BLACK PANEL - CORK FACING	SHELF_566X297_B.BLK	5 BOTTLES	BLACK
WINE SHELF BLACK FRAME, BLACK PANEL - CORK FACING	SHELF_866X297_B.BLK	8 BOTTLES	BLACK
WINE SHELF BLACK FRAME, BLACK PANEL - CORK FACING	SHELF_1166X297_B.BLK	11 BOTTLES	BLACK



**WINE SHELF:**

The Wine Shelf is the perfect 'in cupboard' solution for wine bottles. This method replaces the outdated pigeon hole effect.

Fixing points on the shelf for an easy and secure installation.

Stocked for standard cupboard opening widths and custom sizes available on request.





DESCRIPTION	CODE	SIZE	FINISH
WINE CRADLE BASE TO BASE	WCRADLE.B2B.10_BLK	20 BOTTLES	BLACK
WINE CRADLE BASE TO BASE 700 MM SPINE	SPINE_700.B2B.BLK	14 BOTTLES	BLACK
WINE CRADLE BASE TO BASE 1400 MM SPINE	SPINE_1400.B2B.BLK	28 BOTTLES	BLACK
WINE CRADLE BASE TO BASE 2100 MM SPINE	SPINE_2100.B2B.BLK	42 BOTTLES	BLACK



DESCRIPTION	CODE	SIZE	FINISH
THE FLOATING WINE SHELF 380 MM X 115 MM	FWS_380MMBLK	1 BOTTLE	BLACK
THE FLOATING WINE SHELF 740 MM X 115 MM	FWS_740MMBLK	2 BOTTLES	BLACK
THE FLOATING WINE SHELF 1105 MM X 115 MM	FWS_1105MMBLK	3 BOTTLES	BLACK





DESCRIPTION	CODE	SIZE	FINISH
V-BAR SHELF - CORK FACING 566MM	VBAR_CF_566	7 BOTTLES	BLACK
V-BAR SHELF - CORK FACING 866MM	VBAR_CF_866	11 BOTTLES	BLACK
*CUSTOM SIZES AVAILABLE ON REQUEST	VBAR_CF_CUSTOM	-	-



DESCRIPTION	CODE	SIZE	FINISH
V-BAR SHELF - ANGLED 566MM	VBAR_ANGL_566	7 BOTTLES	BLACK
V-BAR SHELF - ANGLED 866MM	VBAR_ANGL_866	11 BOTTLES	BLACK
*CUSTOM SIZES AVAILABLE ON REQUEST	VBAR_ANGL_CUSTOM	-	-



DESCRIPTION	CODE	SIZE	FINISH
LABEL FACING 1 BOTTLE DEEP V-BAR 866MM	VBAR_LF1_866	2 BOTTLES	BLACK
LABEL FACING 2 BOTTLE DEEP V-BAR 866MM	VBAR_LF2_866	4 BOTTLES	BLACK
LABEL FACING 3 BOTTLE DEEP V-BAR 866MM	VBAR_LF3_866	6 BOTTLES	BLACK
*CUSTOM SIZES AVAILABLE ON REQUEST	VBAR_LF1_CUSTOM	-	-
-	VBAR_LF2_CUSTOM	-	-
-	VBAR_LF3_CUSTOM	-	-



## PLANNING INFORMATION

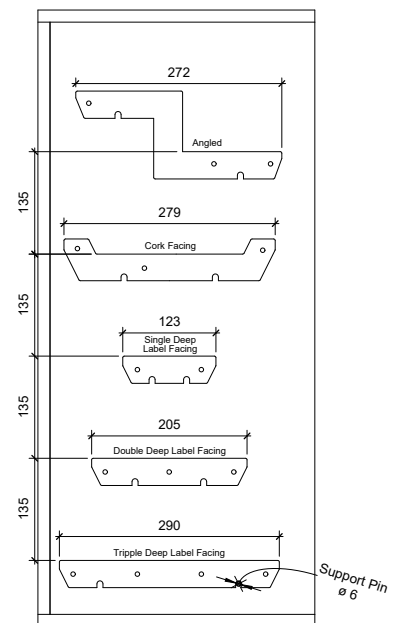
All dimensions in millimetres

### V-Bar Wine Shelf System

Architectural-grade, powder-coated aluminium wine shelves designed to fit standard cabinetry. Supplied ready for installation with dowel fixings for fast installation and time-saving on site.

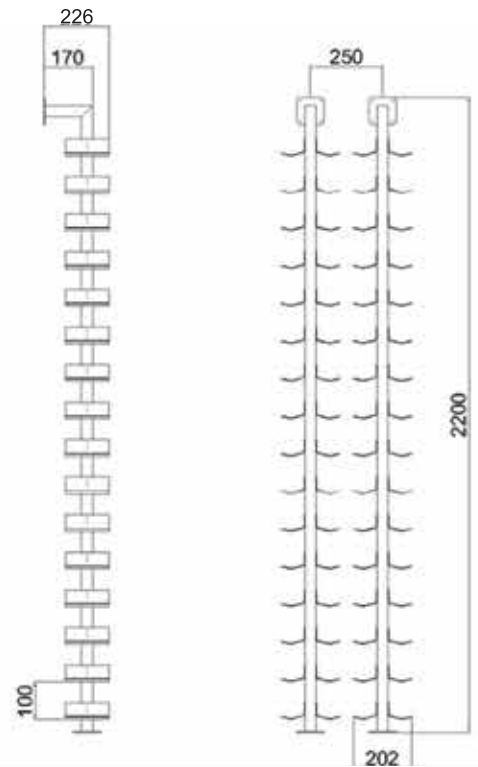
Available in Cork-Facing, Angled and Label-Facing configurations, the V-Bar system offers an easy way to upgrade a kitchen design into a refined wine display feature.

Standard finishes in stock; custom sizes (up to 1 M span) and colours available on request.





DESCRIPTION	CODE	SIZE	FINISH
DOUBLE SIDED WINE CRADLES 1800MM	DS_CRADLE_BLK_1800	32 BOTTLES	BLACK
DOUBLE SIDED WINE CRADLES 2000MM	DS_CRADLE_BLK_2000	36 BOTTLES	BLACK
DOUBLE SIDED WINE CRADLES 2200MM	DS_CRADLE_BLK_2200	40 BOTTLES	BLACK
DOUBLE SIDED WINE CRADLES 2400MM	DS_CRADLE_BLK_2400	44 BOTTLES	BLACK



### DOUBLE SIDED WINE CRADLE:

The Double Sided Wine Cradles have been a popular choice for a long time. Giving you great storage capacity for your available space. These units create a vertical storage look with floating bottles.

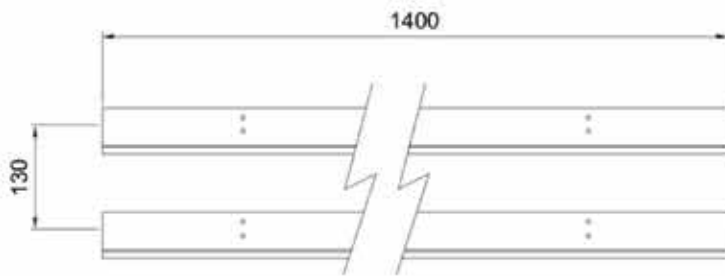
They are available as 'floor to ceiling' units, therefore making it possible to fit in front of glass panels or in the middle of a wine cellar.

They are also available as 'floor to wall' units, perfect for those awkward areas under the staircase where you need to follow the angle from low to high.





DESCRIPTION	CODE	SIZE	FINISH
WINE BAR 1050MM WIDE	WBAR_BLK_1050	3 BOTTLES	BLACK
WINE BAR 1400MM WIDE	WBAR_BLK_1400	4 BOTTLES	BLACK
WINE BAR 1750MM WIDE	WBAR_BLK_1750	5 BOTTLES	BLACK
WINE BAR 2100MM WIDE	WBAR_BLK_2100	6 BOTTLES	BLACK
WINE BAR 2450MM WIDE	WBAR_BLK_2450	7 BOTTLES	BLACK
WINE BAR 2800MM WIDE	WBAR_BLK_2800	8 BOTTLES	BLACK



**WINE BAR:**

The Wine Bar is a longer length Wine Cradle, which gives a clean horizontal wine bottle layout, which creates a vertical look.

These Wine Bars are pre-drilled for easy installation and come in lengths of 1400 MM long (for 4 bottles) and 2100 MM long (for 6 bottles).



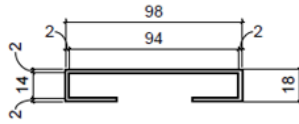


DESCRIPTION	CODE	SIZE	FINISH
WINE GLASS HOLDER	WGH_300_BLK	3 X GLASSES	BLACK

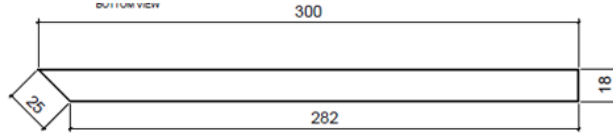
**WINE GLASS HOLDER:**

The Wine Glass Holder provides for a front to back entry and has two fixing holes for fitting under shelves or cupboard spaces.

Maximum glass base width of 93 MM and 3 x glasses per holder.

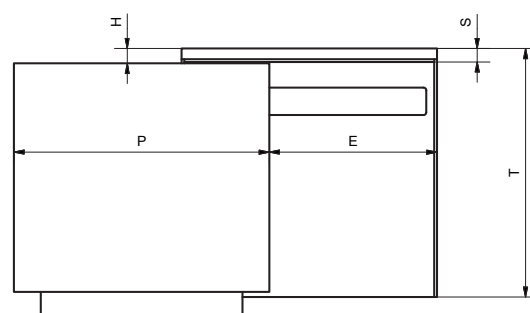
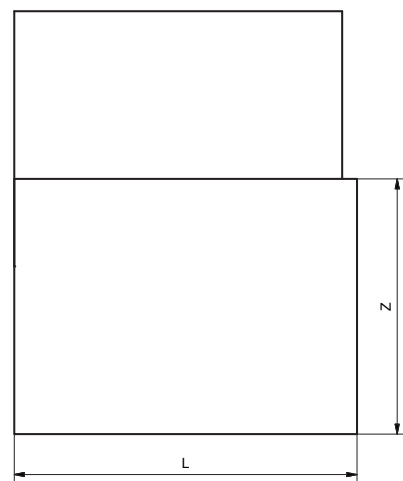


CROSS SECTION



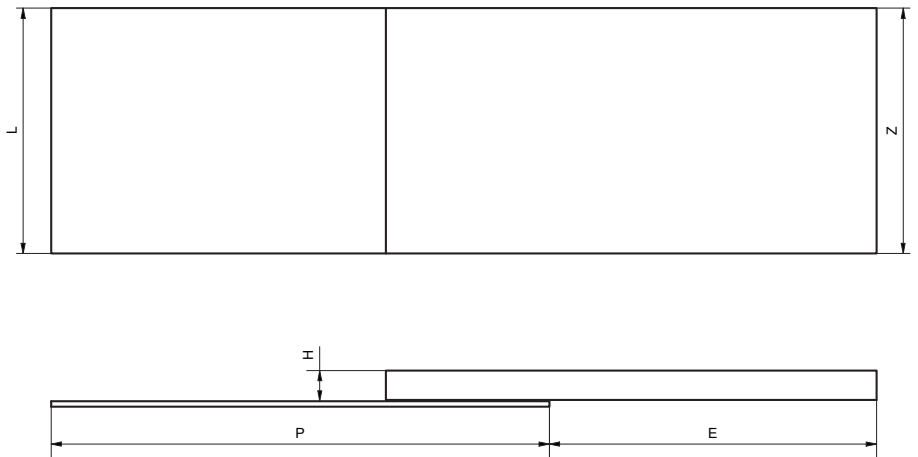
SIDE VIEW





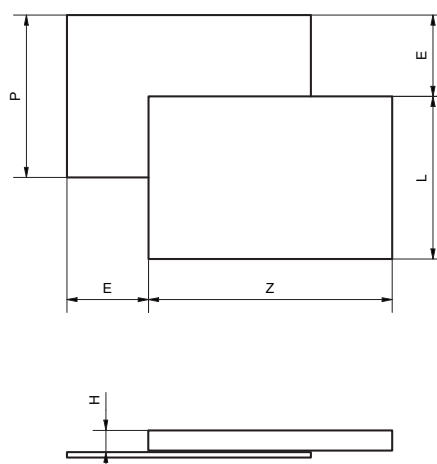
DESCRIPTION	CODE	P MIN	H MIN	S MIN	E	L	Z	T MIN
FLAP SLIDING TABLE TOP	411/78.1244.22	950	55	50	600	600/1300	950	450





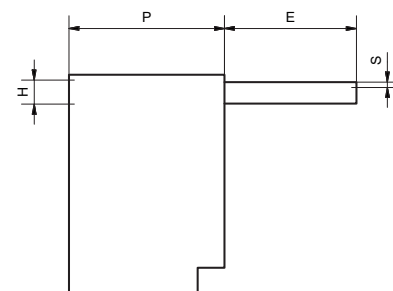
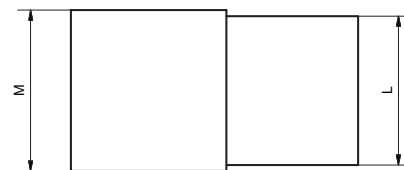
DESCRIPTION	CODE	P MIN	H MIN	Z MIN	E	S MIN
BREAKFAST SLIDING TABLE TOP	411/78.1254.22	2400	85	850	1500	18



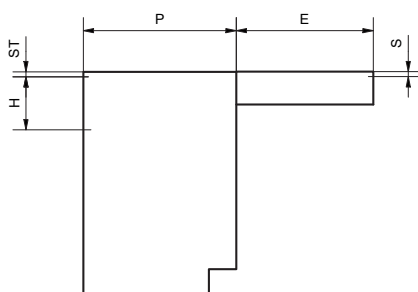
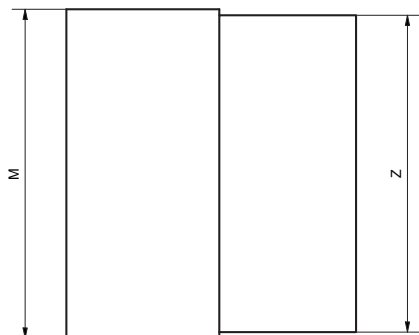


DESCRIPTION	CODE	APERTURA OPENING	P MIN	H MIN	Z	L	S MIN	E
CORNER SLIDING TABLE TOP WITH DIAGONAL OPENING	78.1233.25	SX/DX (L/R)	900	80	900	900	18	300





DESCRIPTION	CODE	M	P MIN	H MIN	S1	E	Z	S MIN	SILENT
SHOT FOLDING PULL-OUT DRAWER WORKTOP	411/78.1130.25 F	410/1200	560	90	15/20	480	405/1155	16	78.1130.25 F



DESCRIPTION	CODE	M	P MIN	H MIN	S1	E	Z MIN	S	ST
OPLÀ FOLDING PULL-OUT TOP ALLIGNED WITH SHELF	78.1720.25 F	1200	540	220	18	500	1155	18	15/35

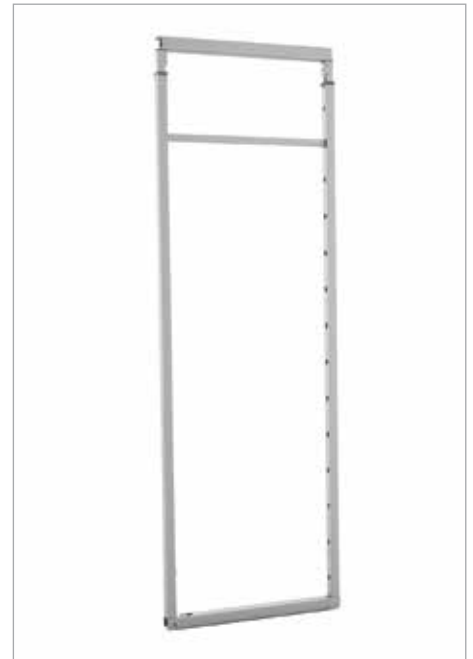




DESCRIPTION	CODE	+	ADD	+	ADD	+	ADD	SIZE	FINISH
	300/1800 FRAME	FULL EXTENSION SLIDE	SOFT-CLOSE	5 BASKETS					
SOLID BASE PULL-OUT LARDER	295A		295K		295O		296+	300 MM	CHROME
SOLID BASE PULL-OUT LARDER	295 GRAPHITE		295K GRAPHITE		295O		296+GREY	300 MM	GRAPHITE

**FEATURES:** Soft-close (Optional)  
 Weight capacity - 80 KG  
 Solid base baskets  
 Available in Chrome and Graphite





DESCRIPTION	CODE	SIZE	FINISH
PULL-OUT LARDER 300 MM	255K+255A+253/300	300 MM	CHROME/WHITE
PULL-OUT LARDER 450 MM	255K+255A+253/450	450 MM	CHROME/WHITE
PULL-OUT LARDER 600 MM	255K+255A+253/600	600 MM	CHROME/WHITE
PULL-OUT LARDER 300 MM	255A GRAPHITE + 253/300 GRAPHITE + 255K/300 GRAPHITE	300 MM	GRAPHITE
PULL-OUT LARDER 450 MM	255A GRAPHITE + 253/450 GRAPHITE + 255K/450 GRAPHITE	450 MM	GRAPHITE
PULL-OUT LARDER 600 MM	255A GRAPHITE + 253/600 GRAPHITE + 255K/600 GRAPHITE	600 MM	GRAPHITE

**FEATURES:**

- Soft-close
- Weight capacity - 120 KG
- Full extension slide
- Solid base
- Available in Chrome or Graphite
- Access from both sides
- Grocery storage
- Adjustable frame height from 1880 H - 2180 H





DESCRIPTION	CODE	+	ADD	SIZE	FINISH
			NOVA PRO RUNNER		
SOLID BASE PULL-OUT	119+GRASS 450		F101108276211	450 MM	CHROME
SOLID BASE PULL-OUT	119+GRASS 600		F101108276211	600 MM	CHROME
SOLID BASE PULL-OUT	119+GRASS 900		F101108276211	900 MM	CHROME

DESCRIPTION	CODE	+	ADD	SIZE	FINISH
			NOVA PRO RUNNER		
SOLID BASE PULL-OUT	119+GRASS 450 GR		F101108276211	450 MM	GRAPHITE
SOLID BASE PULL-OUT	119+GRASS 600 GR		F101108276211	600 MM	GRAPHITE
SOLID BASE PULL-OUT	119+GRASS 900 GR		F101108276211	900 MM	GRAPHITE

**FEATURES:** Soft-close  
 Weight capacity - 40 KG  
 Full extension drawer slide  
 Fully synchronised  
 Solid base  
 Available in Chrome and Graphite





DESCRIPTION	CODE	SIZE	FINISH
SIGE 3/4 CAROUSEL FLAT WIRE	363+	800 MM	CHROME
SIGE 3/4 CAROUSEL FLAT WIRE	363+ GRAPHITE	800 MM	GRAPHITE

DESCRIPTION	CODE	SIZE	FINISH
SIGE 3/4 CAROUSEL ROUND WIRE	363I	700 MM	CHROME

<b>FEATURES:</b>	Retrofit	Assembly on cabinet base	2 x Shelves per set
	Shelf mounted	Height adjustment + 3.5 M	

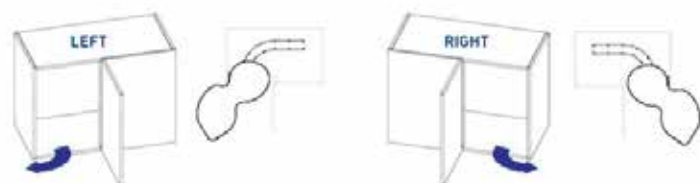




DESCRIPTION	CODE	SIZE	MIN DOOR SIZE	FINISH
SIGE BLIND CORNER LEFT	371+LH SC	900 MM	450 MM	CHROME
SIGE BLIND CORNER RIGHT	371+RH SC	900 MM	450 MM	CHROME
SIGE BLIND CORNER LEFT	371+LH GRP SC	900 MM	450 MM	GRAPHITE
SIGE BLIND CORNER RIGHT	371+RH GRP SC	900 MM	450 MM	GRAPHITE

**FEATURES:**

- Retrofit
- Shelf mounted
- Weight capacity 25 KG per shelf
- More stability
- Easy to install
- 2 x Shelves per set
- Soft-close





DESCRIPTION	CODE	+	ADD	SIZE	FINISH
			NOVA PRO RUNNER		
SOLID BASE PULL-OUT	002+GRASS		F101108277L X 2	150 MM	CHROME
SOLID BASE PULL-OUT	002+GRAPHITE		F101108277L X 2	150 MM	GRAPHITE

DESCRIPTION	CODE		SIZE	FINISH
BOTTLE RACK DIVIDER KIT	065+		150 MM	CLEAR

**FEATURES:**

- Soft-close
- Weight capacity - 40 KG
- Full extension drawer slide
- Fully synchronised
- Solid base
- Available in Chrome and Graphite
- Access from both sides
- Left hand runner mounting





DESCRIPTION	CODE	+	ADD	SIZE	FINISH
			NOVA PRO RUNNER		
SOLID BASE PULL-OUT	004+GRASS		F101108276211	300 MM	CHROME
SOLID BASE PULL-OUT	004+GRAPHITE		F101108276211	300 MM	GRAPHITE

DESCRIPTION	CODE		SIZE	FINISH
BOTTLE RACK DIVIDER KIT	066+		300 MM	CHROME
BOTTLE RACK DIVIDER KIT	066+GREY		300 MM	GRAPHITE

**FEATURES:**

- Soft-close or Push to open
- Weight capacity - 40 KG
- Full extension drawer slide
- Fully synchronised
- Solid base
- Available in Chrome and Graphite





DESCRIPTION	CODE	+	ADD	SIZE	FINISH
			NOVA PRO RUNNER		
SOLID BASE PULL-OUT	002 PRO		F101108277LX2	150 MM	NERO
BOTTLE DIVIDER KIT	065M		-	-	NERO

**FEATURES:** Soft-close  
 Weight capacity 40 KG  
 Full extension base with removable rubber mat  
 Access from both sides  
 Left hand runner mounting





DESCRIPTION	CODE	+	ADD	SIZE	FINISH
			NOVA PRO RUNNER		
SOLID BASE PULL-OUT	004 PRO		F101108276211	300 MM	NERO
BOTTLE DIVIDER KIT	066M		-	-	NERO

**FEATURES:** Soft-close or push to open  
 Weight capacity 40 KG  
 Full extension slides Nova Pro  
 Solid steel base with removable rubber mat





DESCRIPTION	CODE	SIZE	FINISH
LAUNDRY BIN (RUNNERS INCLUDED)	590	W 450 MM	WHITE BASKET / DARK GREY FRAME

**FEATURES:** Soft-close  
 Over extension runners  
 40 KG carrying capacity  
 Runners included





DESCRIPTION	CODE	+	ADD	+	ADD	FINISH
			NOVAPRO RUNNER		NOVAPRO SIDES	
SINK DRAWER 900 MM	720A / 900GRP		F101108276211		F100103123211	GRAPHITE



**FEATURES:** Undersink organising  
2 movable trays and dividers  
Sheet metal base  
Installation to drawer front with screws  
Works with Nova Pro Scala runner and drawer sides



DESCRIPTION	CODE	FINISH
UTILITY BIN DRAWER 900 MM	720B / 900GRP	GRAPHITE



**FEATURES:** Can be used for recycling or organising  
Installation inside the drawer  
Fits Nova Pro Scala 900 MM drawer box  
Total bin capacity is 36 L  
40 KG or 70 KG runner option



DESCRIPTION	CODE	FINISH
BASE TRAY 900 MM	098 / 900GRP	GRAPHITE
PLATE HOLDER METAL	097P	GRAPHITE
BOWL HOLDER METAL	097C	GRAPHITE

**FEATURES:** Organising drawer for plates, bowls, cups and glasses  
Installation inside the drawer  
Fits a Nova Pro Scala 900 MM drawer box  
Dismountable to contain the spread of bacteria  
40 KG or 70 KG runner option





DESCRIPTION	CODE	+	ADD	SIZE	CAPACITY
			NOVA PRO RUNNER		
PULL-OUT RECYCLING BIN	564		F101108276211	300 MM	35 LITRES



**FEATURES:** Soft-close or Push to open  
 Weight capacity - 40 KG  
 Full extension drawer slide  
 Fully synchronised  
 Concealed runner  
 Fixed shelf  
 Height 560 MM  
 Graphite Colour



DESCRIPTION	CODE	+	ADD	SIZE	CAPACITY
			NOVA PRO RUNNER		
PULL-OUT RECYCLING BIN	560		F101108276211	400 MM	64 LITRES
PULL-OUT RECYCLING BIN	561		F101108276211	450 MM	70 LITRES
PULL-OUT RECYCLING BIN	562		F101108276211	500 MM	70 LITRES



**FEATURES:** Soft-close or Push to open  
 Weight capacity - 40 KG  
 Full extension drawer slide  
 Fully synchronised  
 Concealed runner  
 Fixed shelf  
 Height 560 MM  
 Graphite Colour  
 Double bin



560 561 562



DESCRIPTION	CODE	+	ADD	SIZE	CAPACITY
			NOVA PRO RUNNER		
PULL-OUT RECYCLING BIN	573T		F101108276211	600 MM	96 LITRES



**FEATURES:** Soft-close or Push to open  
 Weight capacity - 40 KG  
 Full extension drawer slide  
 Fully synchronised  
 Concealed runner  
 Fixed shelf  
 Height 560 MM  
 Graphite Colour  
 3 x Big 32 L bins



DESCRIPTION	CODE	+	ADD	SIZE	CAPACITY
			NOVAPRO RUNNER 500 MM		
RECYCLING BIN 600 MM	589		F101108276211	600 MM	90 LITRES



**FEATURES:** 2 Bin solution for a 600 MM unit  
 40 KG or 70 KG runner option  
 Also available for Tipmatic or Sensomatic  
 2 x Big 45 L Bins  
 Comes with over extension running  
 Height 600 MM



DESCRIPTION	CODE	+	ADD	SIZE	CAPACITY
			NOVAPRO RUNNER 450 MM		
UNDERSINK BIN 600 MM	700B		F101108273211	600 MM	36 L



**FEATURES:** Fits under a sink for a 600 MM unit  
 40 KG or 70 KG runner option  
 36 L bin capacity  
 Runner length of 450 MM  
 Height 320 MM



DESCRIPTION	CODE	SIZE	CAPACITY
AUTO OPEN BIN BASE MOUNT	520	450 MM	32 LITRES



**FEATURES:** Opens with the door  
 Base mounted  
 Double bin  
 Fits under sink  
 Height 380 MM  
 Bin Depth 460 MM  
 Grey and white colour





DESCRIPTION	CODE	SIZE	CAPACITY
PULL-OUT WASTE BIN BASE MOUNT	540	300 MM	21 LITRES



**FEATURES:** Base mounted  
Fits under sink  
Height - 400 MM  
Bin Depth - 460 MM  
Grey and white colour



DESCRIPTION	CODE	COLOUR	DOOR SIZE	CAPACITY
SIGE TOMMI WASTE BIN	501	GREY	450 MM	24 LITRES



**FEATURES:** Door mounted  
Easy installation  
Includes lid and frame  
Height: 440 MM  
Bin Depth: 230 MM  
Width: 290 MM



DESCRIPTION	CODE	COLOUR	CAPACITY
SIGE WASTE BIN LOOSE	560/LID	GRAPHITE	35 LITRES

**FEATURES:** Allow for custom built bin drawers  
Includes lid to lock out odours  
Height: 540 MM  
Bin Depth: 240 MM  
Width: 375 MM



DESCRIPTION	CODE	SIZE	CAPACITY
COUNTER TOP BIN	IRCO05PP	300 MM	8 LITRE

**FEATURES:** Bin intergrated into counter top  
Removeable  
Easy access



DESCRIPTION	CODE	SIZE			FINISH
		W	D	H	
WASTE BIN 45 L + LID	H6245	380	330	660	GREY
BIN BRACKET FOR 45L BIN	B/BIN BRACKET				WHITE
FLAP STAY	356.050.00.0070				CHROME



DESCRIPTION	CODE	SIZE (H)	COLOUR
TROUSER PULLOUT 600 MM	TPO/600	600 MM	BLACK / STONE
TROUSER PULLOUT 900 MM	TPO/900	900 MM	BLACK / STONE

**FEATURES:** To be used with zero protrusion hinges  
 Full extension pull out system  
 Individual hanging rails to keep trousers neatly separated  
 Premium aluminium frame with modern black finish  
 Easy visibility and quick access to garments  
 Durable, high quality construction for everyday use  
 Clean, minimalist design  
 400 MM in depth



DESCRIPTION	CODE	SIZE	FINISH
SHOE PULLOUT 600 MM	B/SHOE P/O 600WHT	600 MM	WHITE
SHOE PULLOUT 600 MM	B/SHOE P/O 600GRP	600 MM	GRAPHITE
SHOE PULLOUT 600 MM	B/SHOE P/O 600BLK	600 MM	BLACK
SHOE PULLOUT 900 MM	B/SHOE P/O 900WHT	900 MM	WHITE
SHOE PULLOUT 900 MM	B/SHOE P/O 900GRP	900 MM	GRAPHITE
SHOE PULLOUT 900 MM	B/SHOE P/O 900BLK	900 MM	BLACK



**FEATURES:**  
 500 MM and 800 MM wide respectively  
 450 MM deep  
 Will fit into wooden drawer and metal box drawers  
 Can also fit onto base or fixed shelf





DESCRIPTION	CODE	SIZE	FINISH
		W x D	
1 SPACE ORGANISER	ART K501	154 MM X 347 MM	GRAPHITE



DESCRIPTION	CODE	SIZE	FINISH
		W x D	
2 SPACE ORGANISER	ART K502	154 MM X 347 MM	GRAPHITE



DESCRIPTION	CODE	SIZE	FINISH
		W x D	
WATCHES HOLDER	ART K510	150 MM X 170 MM	GRAPHITE



DESCRIPTION	CODE	SIZE	FINISH
		W x D	
RINGS HOLDER	ART K511	145 MM X 170 MM	GRAPHITE



DESCRIPTION	CODE	SIZE	FINISH
		W x D	
EARINGS HOLDER	ART K512	145 MM X 170 MM	GRAPHITE



DESCRIPTION	CODE	COLOUR
DRAWER DIVIDER 1200 MM - CUT TO SIZE	F102102943207	STONE
CLAMPING UNIT EACH - LEFT OR RIGHT	F102102932211	STONE





DESCRIPTION	CODE	SIZE	FINISH
KPUSH TECH WITH BUFFER STRONG	57008080AB	70 MM	WHITE
MOUNTING PLATE WITH HOUSING	57010040	80 MM	WHITE
KPUSH TECH WITH BUFFER STRONG	57008080EE	70 MM	GRAPHITE
MOUNTING PLATE WITH HOUSING	57010040G	80 MM	GRAPHITE



DESCRIPTION	CODE	SIZE	FINISH
KPUSH TECH WITH BUFFER NORMAL	57008040AB	70 MM	WHITE
MOUNTING PLATE WITH HOUSING	57010040	80 MM	WHITE
KPUSH TECH WITH BUFFER NORMAL	57008040EE	70 MM	GRAPHITE
MOUNTING PLATE WITH HOUSING	57010040G	80 MM	GRAPHITE



DESCRIPTION	CODE	SIZE	FINISH
KPUSH TECH WITH MAGNET + SCREW	57008020	70 MM	WHITE
MOUNTING PLATE WITH HOUSING	57010040	80 MM	WHITE
KPUSH TECH WITH MAGNET + SCREW	57008020G	70 MM	GRAPHITE
MOUNTING PLATE WITH HOUSING	57010040G	80 MM	GRAPHITE





DESCRIPTION	CODE	FINISH
LIBRA H11 BRACKET SET	C010002380	STEEL
COVER CAP WHITE L	63490710AB	WHITE
COVER CAP WHITE R	63490720AB	WHITE
COVER CAP GRAPHITE L	63490710EE	GRAPHITE
COVER CAP GRAPHITE R	63490720EE	GRAPHITE

### FEATURES:


Used for any type of furniture: living room, kitchen and bathroom  
Adjustment is easy accessible  
Depth and vertical adjustment

Red bolt is a lock device for unit  
Very high load capacity of between 120 KG - 200 KG  
\*Depends on cabinet size, quality of wood, wall quality etc.





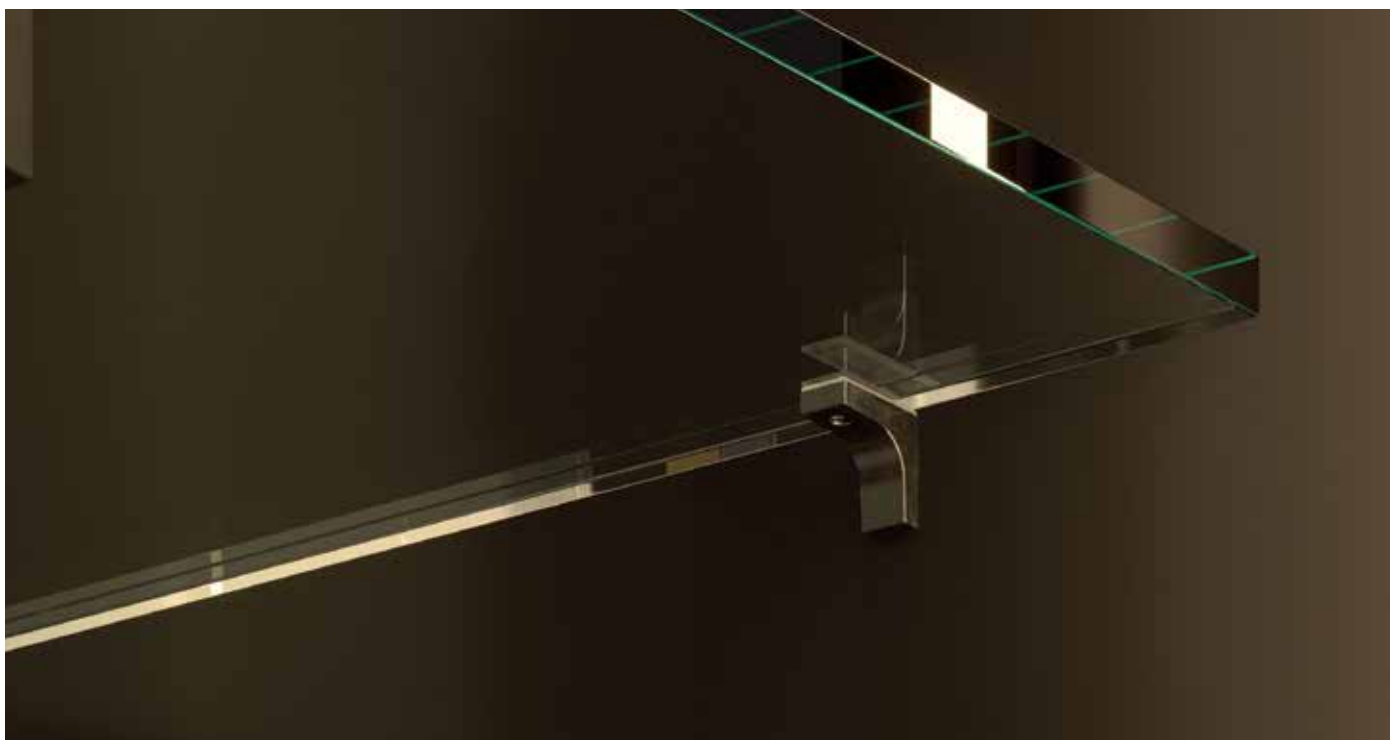
DESCRIPTION	CODE	FINISH
SHELF SUPPORT GLASS WITH RUBBER	10208030YA	NICKEL
SHELF SUPPORT GLASS WITH RUBBER	10208030YQ	NIGHT
SHELF SUPPORT WOOD - NO RUBBER	10208020YA	NICKEL
SHELF SUPPORT WOOD - NO RUBBER	10208020YQ	NIGHT
RUBBER PAD ONLY	10208060AA	CLEAR

	DESCRIPTION	CODE
	SHELF SUPPORT PIN	517.006.01.0015

**FEATURES:**

New modern design  
Use for glass or wood shelves  
Bespoke layer of rubber can be added or removed

Ø 5 MM pin size





DESCRIPTION	CODE	SIZE	FINISH
WARDROBE LIFT - 15 KG	W/SUPER LIFT/BLK	750 - 1150 MM	BLACK



DESCRIPTION	CODE	SIZE	FINISH
WARDROBE LIFT - 20KG	W/SUPER LIFT	750 - 1150 MM	GREY





DESCRIPTION	CODE	SIZE	FINISH
RECESSING DOOR SYS HEAVY DUTY + HINGES + BAR	KV8092/450	450 MM	BLACK
RECESSING DOOR SYS HEAVY DUTY + HINGES + BAR	KV8092/500	500 MM	BLACK
RECESSING DOOR SYS HEAVY DUTY + HINGES + BAR	KV8092/600	600 MM	BLACK
RECESSING DOOR SYS HEAVY DUTY + HINGES + BAR	KV8092/650	650 MM	BLACK
CONNECTION ROD - 1.8 M	499.000.00.0001	1.8 M	BLACK
CONNECTION ROD - 2.5 M	499.000.01.0001	2.5 M	BLACK
OVERLAY KIT	KV8092/OL	-	BLACK
DOOR STRAIGHTENER / STABILISER	056.3192.075	2040 MM - 2600 MM	BLACK

**FEATURES:** 1 set consists of 2 x slides  
 Height up to 2000 MM with 2 x slides  
 Height up to 2400 mm with 3 x slides  
 Height up to 2700 mm with 4 x slides  
 Door thickness up to 22 MM  
 Gear system

No Sagging of doors  
 Up to a maximum weight capacity  
 of 35 KG per door  
 Inset for standard application  
 If overlay kit used - 19 mm overlay on  
 maximum 19 mm door thickness

Door Straightener





## HAWA SLIDE AND POCKET SYSTEM

The newly designed Hawa Concepta III family follows an innovative basic approach: Only making rooms visible when they are needed. Contemporary trends such as lack of urban living space and the associated demand for using living areas in an economical and multi-functional way have been anticipated perfectly in this way.

This is because the Hawa Concepta III and the Hawa Folding Concepta III make it possible to conjure up an office or an entire kitchen from virtually nothing, and make it disappear again. And they reveal themselves to be space economy experts by requiring very little room in the parked position.



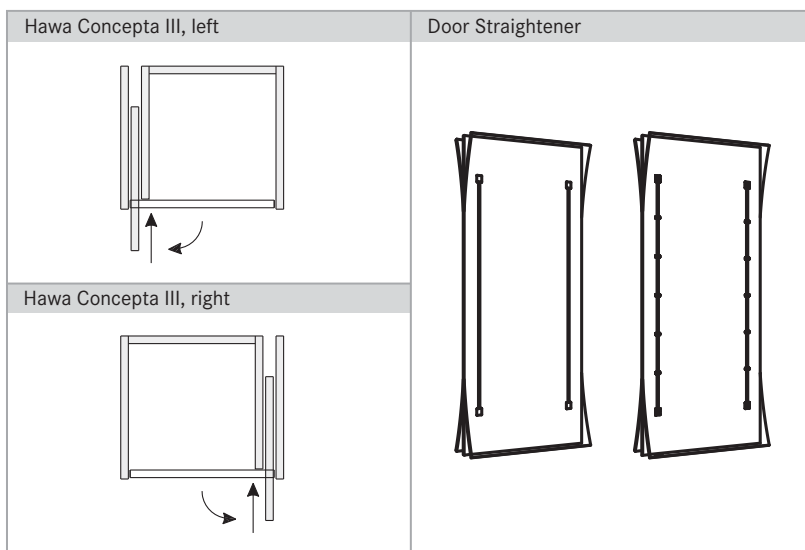


DESCRIPTION	CODE	SIZE (H)	COLOUR
HAWA CONCEPTA PUSH 25 KG	-	1200 MM - 2200 MM	ALUMINIUM ANODIZED
HAWA CONCEPTA PULL 25 KG	-	1200 MM - 2200 MM	ALUMINIUM ANODIZED
HAWA CONCEPTA PUSH 35 KG	-	1900 MM - 2700 MM	ALUMINIUM ANODIZED
HAWA CONCEPTA PULL 35 KG	-	1900 MM - 2700 MM	ALUMINIUM ANODIZED
DOOR STRAIGHTENER / STABILISER	056.3192.075	2040 MM - 2600 MM	BLACK

**FEATURES:** Turn doors 90° and slide into the side of the cabinet  
 Push to open and push to close for no handles  
 Easy installation, no CNC drilling needed

**TECHNICAL GUIDELINES:**

1200 MM - 2700 MM in height  
 440 MM - 750 MM in width per door  
 18 MM - 26 MM in door thickness  
 Push or pull operation



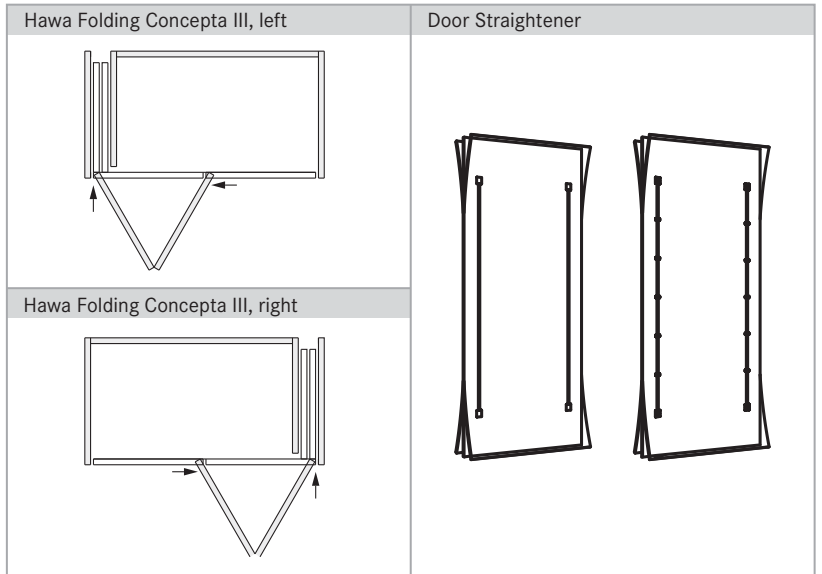


DESCRIPTION	CODE	SIZE (H)	COLOUR
HAWA FOLDING CONCEPTA PUSH 20 KG	-	1200 MM - 2200 MM	ALUMINIUM OR BLACK
HAWA FOLDING CONCEPTA PULL 20 KG	-	1200 MM - 2200 MM	ALUMINIUM OR BLACK
HAWA FOLDING CONCEPTA PUSH 25 KG	-	1900 MM - 2700 MM	ALUMINIUM OR BLACK
HAWA FOLDING CONCEPTA PULL 25 KG	-	1900 MM - 2700 MM	ALUMINIUM OR BLACK
DOOR STRAIGHTENER / STABILISER	056.3192.075	2040 MM - 2600 MM	BLACK

**FEATURES:** Fold 2 doors onto each other and slide into the side of the cabinet  
 Push to open and push to close for no handles  
 Easy installation, no CNC drilling needed

**TECHNICAL GUIDELINES:**

1200 MM - 2700 MM in height  
 440 MM - 750 MM in width per door  
 18 MM - 26 MM in door thickness  
 Push or pull operation





DESCRIPTION	CODE	SIZE	FINISH
COAT RAIL OVAL	B/RAIL	15 MM X 30 MM X 2500 MM	CHROME
ROD HOLDER	B/ROD HOLDER	15 MM X 45 MM	CHROME
CENTRE SUPPORT	B/HOLDER SUPPORT	15 MM X 70 MM	CHROME
COAT RAIL OVAL BLACK	B/RAIL BLK	15 MM X 30 MM X 3000 MM	BLACK
ROD HOLDER BLACK	B/ROD HOLDER BLK	15 MM X 45 MM	BLACK
CENTRE SUPPORT BLACK	B/HOLDER SUPPORT BLK	15 MM X 70 MM	BLACK
ROD HOLDER BLACK B/FIX	B/ROD HOLDER BLK B/FIX	15 MM X 65 MM	BLACK
HANGING ROD HOLDER (PAIR)	VW009_BLK	15 MM X 110 MM	BLACK
COAT RAIL OVAL WHITE	B/RAIL WHT	15 MM X 30 MM X 3000MM	WHITE
ROD HOLDER WHITE	B/ROD HOLDER WHT	15 MM X 45 MM	WHITE
CENTRE SUPPORT WHITE	B/HOLDER SUPPORT WHT	15 MM X 70 MM	WHITE
COAT RAIL OVAL BEIGE	B/RAIL BEIGE	15 MM X 30 MM X 3000MM	BEIGE
ROD HOLDER BEIGE	B/ROD HOLDER BEIGE	15 MM X 45 MM	BEIGE
CENTRE SUPPORT BEIGE	B/HOLDER SUPPORT BEIGE	15 MM X 70 MM	BEIGE
COAT RAIL OVAL GRAPHITE	B/RAIL GRP	15 MM X 30 MM X 3000MM	GRAPHITE
ROD HOLDER GRAPHITE	B/ROD HOLDER GRP	15 MM X 45 MM	GRAPHITE
CENTRE SUPPORT GRAPHITE	B/HOLDER SUPPORT GRP	15 MM X 70 MM	GRAPHITE

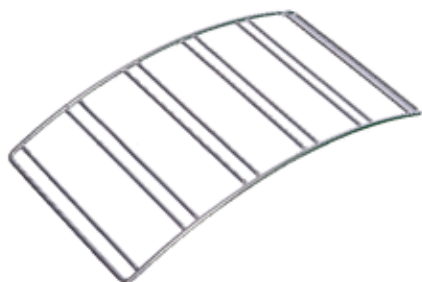


DESCRIPTION	CODE	SIZE	FINISH
OVAL RAIL	B/RAIL ALU	19 MM X 34 MM X 3000 MM	ALU
HANG RAIL BRACKET	T128W	20 MM X 35 MM	WHITE





DESCRIPTION	CODE	SIZE	FINISH
CHROME WIRE BASKET	V/B400C	400 MM CARCASS	CHROME
CHROME WIRE BASKET	V/B450C	450 MM CARCASS	CHROME
CHROME WIRE BASKET	V/B500C	500 MM CARCASS	CHROME
CHROME WIRE BASKET	V/B600C	600 MM CARCASS	CHROME



DESCRIPTION	CODE	SIZE	FINISH
CURVED WINE BOTTLE RACK	WR240D	400 MM	CHROME
CURVED WINE BOTTLE RACK	WR250D	500 MM	CHROME
CURVED WINE BOTTLE RACK	WR260D	600 MM	CHROME



DESCRIPTION	CODE	SIZE	FINISH
VOLPATO LEG 80 MM	C/LEG 80P	80 MM	BLACK
VOLPATO LEG 100 MM	C/LEG 100P	100 MM	BLACK
VOLPATO LEG 150 MM	C/LEG 150P	150 MM	BLACK
SKIRTING CLIP WOOD	C/CLIP/P	-	BLACK
SKIRTING CLIP ALU	C/CLIP/K	-	BLACK



DESCRIPTION	CODE	SIZE	FINISH
BRUSHED ALU KICK PLATE 100 MM X 4 M	AKP 100 BRU	100 MM	BRUSHED ALU
BRUSHED ALU KICK PLATE 150 MM X 4 M	AKP 150 BRU	150 MM	BRUSHED ALU
BRUSHED ALU KICK PLATE 100 MM FLEXIBLE CORNER	AKP 100 BRU FLEX CNR	100 MM	BRUSHED ALU
BRUSHED ALU KICK PLATE 150 MM FLEXIBLE CORNER	AKP 150 BRU FLEX CNR	150 MM	BRUSHED ALU
BRUSHED ALU KICK PLATE 100 MM 90 DEG FIXED CORNER	AKP 100 BRU 90 DEG CNR	100 MM	BRUSHED ALU
BRUSHED ALU KICK PLATE 150 MM 90 DEG FIXED CORNER	AKP 150 BRU 90 DEG CNR	150 MM	BRUSHED ALU
BLACK KICK PLATE 100 MM X 4 M	AKP 100 BLK	100 MM	BLACK
BLACK KICK PLATE 150 MM X 4 M	AKP 150 BLK	150 MM	BLACK
BLACK KICK PLATE 100 MM FLEXIBLE CORNER	AKP 100 BLK FLEX CNR	100 MM	BLACK
BLACK KICK PLATE 150 MM FLEXIBLE CORNER	AKP 150 BLK FLEX CNR	150 MM	BLACK
BLACK KICK PLATE 100 MM FIXED CORNER	AKP 100 BLK 90 FIXED CNR	100 MM	BLACK
BLACK KICK PLATE 150 MM FIXED CORNER	AKP 150 BLK 90 FIXED CNR	150 MM	BLACK



DESCRIPTION	CODE	SIZE			FINISH
		W	X	D X H	
EVORA TRAP COVER	TRAP/SHELF COVER WHITE	240	120	83	WHITE
EVORA TRAP COVER	TRAP/SHELF COVER GREY	240	120	83	GREY



DESCRIPTION	CODE	SIZE			FINISH
		W	X	H	
VOLPATO TRAP COVER	35101660WH	680	78	MM	WHITE
VOLPATO TRAP COVER	35101660SIL	680	78	MM	GREY
VOLPATO TRAP COVER	35101660GRP	680	78	MM	GRAPHITE

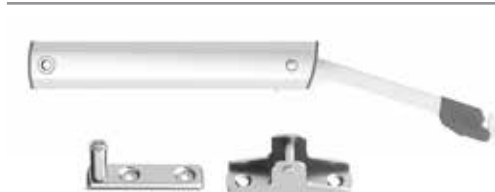




DESCRIPTION	CODE	SIZE	FINISH
		W X H	
OMNI SPICE TRAY	OST/450GRP	387 MM X 480 MM	GRAPHITE
OMNI SPICE TRAY	OST/450WH	387 MM X 480 MM	WHITE
OMNI SPICE TRAY	OST/500GRP	437 MM X 480 MM	GRAPHITE
OMNI SPICE TRAY	OST/500WH	437 MM X 480 MM	WHITE
OMNI SPICE TRAY	OST/600GRP	537 MM X 480 MM	GRAPHITE
OMNI SPICE TRAY	OST/600WH	537 MM X 480 MM	WHITE



DESCRIPTION	CODE	FINISH
GAS LIFT 80N SOFT-CLOSE WOOD	MZ3212	STEEL
GAS LIFT 100N SOFT-CLOSE WOOD	MZ3213	STEEL
GAS LIFT 120N ALU SOFT-CLOSE WOOD	MZ3214	STEEL
GAS LIFT 120N ALU	MZ3214ALU	STEEL
GAS LIFT 150N WOOD	MZ3215	STEEL
GAS LIFT ALU 80N	MZ6146	STEEL
GAS LIFT ALU 100N	MZ6147	STEEL



DESCRIPTION	CODE	FINISH
LIVARO LIFT LIGHT	E68L	NICKEL
LIVARO LIFT MEDIUM	E68M	NICKEL
LIVARO LIFT HEAVY	E68H	NICKEL



DESCRIPTION	CODE	SIZE	FINISH
BROOM CLIP	BROOM CLIP	20 - 30 MM	BLACK



DESCRIPTION	CODE	SIZE	FINISH
TOP CABINET SUSPENSION FITTING	F155145207210	130 KG CAPACITY	STEEL
TOP CABINET SUSPENSION RAIL	F155145236513	125 MM	STEEL



DESCRIPTION	CODE	SIZE	FINISH
STICK ON DOOR BUMPER	F146073835253	7 MM	CLEAR
STICK ON DOOR BUMPER	F146073836256	10 MM	CLEAR
DOOR BUMPER DRILL IN	630.000.03.0850	5 MM	CLEAR



DESCRIPTION	CODE	SIZE	FINISH
CAMFIX METAL	T3201	20 Ø X 13 MM	NICKLE
CAMFIX PLASTIC	T3201B	20 Ø X 13 MM	BROWN
CAMFIX PLASTIC	T3201W	20 Ø X 13 MM	WHITE



DESCRIPTION	CODE	SIZE	FINISH
WEDGEFIX	T3241	20 Ø X 12 MM	WHITE
WEDGEFIX	T3241B	20 Ø X 12 MM	BROWN



DESCRIPTION	CODE	SIZE	FINISH
DOWEL 5 MM EURO	T3400	5 Ø X 11 MM	ZINC
DOWEL 5 MM EURO SHORT	T3410	5 Ø X 7.5 MM	ZINC



DESCRIPTION	CODE	SIZE	FINISH
DOWEL M4	T3470.009	M4 X 7.5 MM	ZINC



DESCRIPTION	CODE	SIZE	FINISH
SLEEVE	T3051	5 Ø X M4 X 15 MM	RAW



DESCRIPTION	CODE	SIZE	FINISH
CAM FITTING 15 MM	T3150	15 Ø X 15 MM	ZINC



DESCRIPTION	CODE	SIZE	FINISH
DOWELL FITTING WITH SLEEVE	CB2620	50 X 34 MM	STEEL



DESCRIPTION	CODE	SIZE	FINISH
QUICKFIT BOLT 8 X 34 MM EXPANDING DOWEL	T3491	8 Ø X 34 MM	ZINC



DESCRIPTION	CODE	SIZE	FINISH
EURO SCREW COUNTERSUNK	707.360.61.1015	6 MM X 10 MM	NICKEL
EURO SCREW COUNTERSUNK	707.360.61.3015	6 MM X 13 MM	NICKEL
EURO SCREW PAN HEAD	707.362.61.3015	6 MM X 13 MM	NICKEL
EURO SCREW COUNTERSUNK FOR GRASS PRODUCTS	F145083544599	6 MM X 11.5 MM	NICKEL



DESCRIPTION	CODE	SIZE	FINISH
CONNECTING SCREW 5 MM	499.040.27.0025	32 MM X 5 MM	NICKEL



DESCRIPTION	CODE	SIZE	FINISH
GRASS SPACER BLOCK	F102062616223	25 MM	WHITE



DESCRIPTION	CODE	SIZE	FINISH
GRASS SPACER BLOCK	F102131359211	25 MM	STONE

# The GRASS Group in numbers.

As a leading specialists in furniture movement design, we have a lasting influence on the furniture industry.

Three million kitchens are equipped with our movement systems every year.

We are at home around the globe: With over two hundred sales partners in 60 countries, GRASS is represented internationally.



GRASS has been part of the international Würth Group since 2004 and operates independently under its own brand.

**75 years of  
pioneering  
spirit.**

GRASS has been a pioneer in the furniture industry now for more than 75 years.

**1,642 employees**

More than 1,600 employees work at seven production sites in Europe and America and eleven sales offices.

**367  
million euro  
sales.**



INNOVATION AND TRADITION

# We are pioneers.

75 years of pioneering spirit.

Whether unique movement systems or elegant opening systems for handle-free fronts: Our fascinating inventions are sustainably changing the world of furniture today - just like they always have.

INNOVATION AND TRADITION

**GRASS has always been a pioneer in the furniture industry. From the first concealed hinge to the invention of the double-wall drawer, the history of GRASS has been shaped by visionary engineering expertise and countless groundbreaking products.**

[www.grass.co.za](http://www.grass.co.za)

**G\*GRASS®**



**G\*GRASS<sup>®</sup>**



 @grassmovementsystems

 /GRASSZA

 /grassza

 /grassmovementsystems

[www.grass.co.za](http://www.grass.co.za)

**GRASS ZA (PTY) LTD.**

2 Graph Avenue  
Montague Gardens  
Cape Town, South Africa

T +27 21 529 8040

F +27 21 529 8041

[info@grass.co.za](mailto:info@grass.co.za)

Unit 6, Northlands Retail Park  
Epsom Road, North Riding  
Johannesburg 2169, South Africa

T +27 11 801 9500