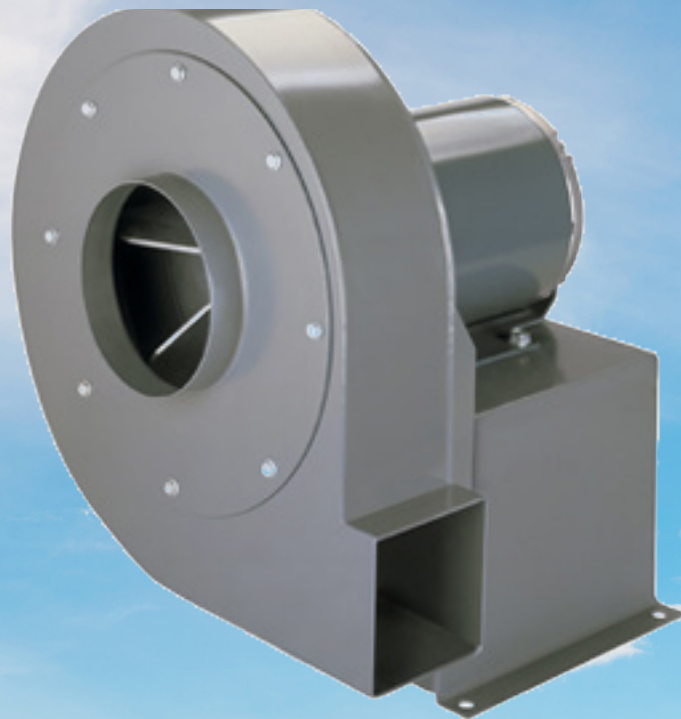


PEERLESS

BLOWERS



PW Radial Blade Pressure Blower - Direct Drive

Peerless Blowers
Madison Manufacturing Company, Inc.

172 South Andrews Ave.
PO Box 187
Hot Springs, NC 28743-0187 • USA

828-622-7500 • 1-800-613-4766
Fax: 828-622-3309

peerlessblowers.com
salesteam@peerlessblowers.com

PW Radial Blade Pressure Blower - Direct Drive

APPLICATION:

Pressure blowers are generally used on industrial applications for small exhaust systems where air is laden with dust or grit and also for supplying high pressure air for conveying and cooling.

FEATURES:

Wheels

Constructed with straight radial blades of heavy cast aluminum for self cleaning feature, dynamically balanced and designed for efficient operation.

Housings

Arc-welded 16 gauge steel housings and motor bases for rigidity and long life.

Motors

Standard units are furnished with open ball bearing, rigid mounted motors of either single phase capacitor-induction type or three phase induction type. Motors can also be furnished totally enclosed or explosion proof or with special current characteristics for special applications.

Rotation and Discharge

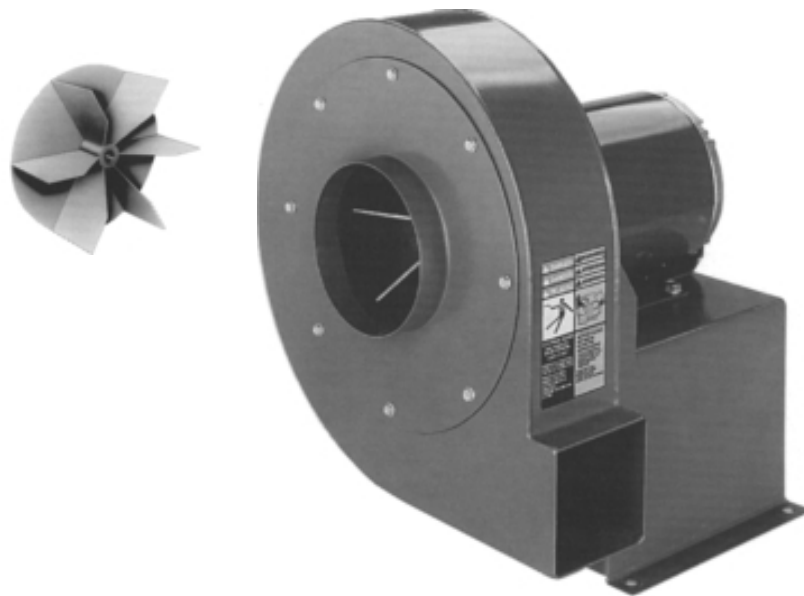
Furnished for clockwise rotation, bottom horizontal discharge unless otherwise specified. At time of installation housings or wheels may be turned for other discharges and rotation if so desired.

CAPACITIES:

These blowers are tested in accordance with test codes adopted by AMCA and the American Society of Heating, Refrigerating and Air Conditioning Engineers.

CERTIFIED PERFORMANCE RATINGS

Peerless Blowers* /Madison Manufacturing Company, Inc. certifies that the "PW" Radial Blade Pressure Blowers - Direct Drive shown on this page are licensed to bear the AMCA Seal. The ratings shown are based on tests and procedures performed in accordance with AMCA Publication 211 and comply with the requirements of the AMCA Certified Ratings Program.

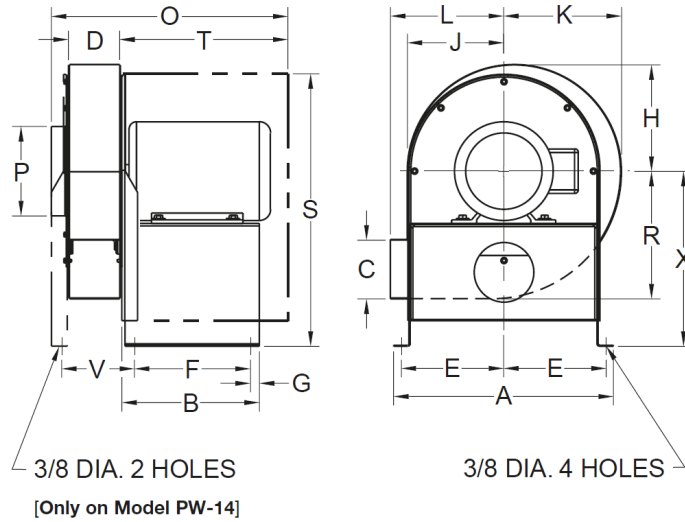




Performances and Dimensions

Model No.	Motor HP	Blower RPM	Performance - CFM at 3500 RPM																
			1/4" S.P.	1/2" S.P.	1" S.P.	1 1/2" S.P.	2" S.P.	2 1/2" S.P.	3" S.P.	3 1/2" S.P.	4" S.P.	5" S.P.	6" S.P.	7" S.P.	8" S.P.	9" S.P.	10" S.P.	11" S.P.	12" S.P.
PW-8	1/4	3500	—	—	—	237	216	192	165	129	70	—	—	—	—	—	—	—	—
PW-8	1/3	3500	283	274	256	237	216	192	165	129	70	—	—	—	—	—	—	—	—
PW-9	1/2	3500	—	—	—	—	—	374	346	316	282	195	—	—	—	—	—	—	—
PW-9	3/4	3500	475	465	445	423	399	374	346	316	282	195	—	—	—	—	—	—	—
PW-11	1	3500	—	—	—	—	—	—	—	—	—	508	431	329	—	—	—	—	—
PW-11	1 1/2	3500	786	772	746	719	692	664	635	606	575	508	431	329	—	—	—	—	—
PW-12	3	3500	1185	1171	1145	1117	1090	1062	1033	1004	974	911	842	765	672	549	—	—	—
PW-14	5	3500	—	—	—	—	—	—	—	—	—	1685	1587	1482	1367	1236	1081	874	474
PW-14	7 1/2	3500	2100	2079	2037	1995	1952	1909	1866	1822	1177	1685	1587	1482	1367	1236	1081	874	474

Performance certified is for installation type B- free inlet, ducted outlet. Power Rating (BHP) does not include transmission losses. Performance ratings do not include the effects of appurtenances (accessories).



Model No.	Wheel	Bore	A	B	C	D	E	F	G	H	J	K	L	O	P	R	X	S	T	V
PW-8	7 3/4 x 2 1/4	1/2	11	8	3	3	5	7	1/2	5 3/8	4 7/8	5 7/8	5 7/8	16	4	6 5/8	8 1/2	13 1/8	12	—
PW-9	9 x 2 3/4	1/2	12 1/8	8	3 1/2	3 1/2	5 5/8	7	1/2	6 3/8	5 3/4	6 7/8	6 3/4	20 3/4	5	7 1/2	9 3/8	14 5/8	16	—
PW-11	10 5/8 x 3	5/8	14 3/4	9	4	3 1/2	6 7/8	7 1/2	3/4	7 1/4	6 1/2	8	7 5/8	20 3/4	6	8 5/8	11 3/4	18 1/4	16	—
PW-12	12 1/2 x 3	7/8	17	8	5	4	8	6 1/2	3/4	8 1/4	7 1/2	9	9 5/8	20 1/8	7	10	10 5/8	13 3/8	15	—
PW-14	13 1/2 x 4 3/8	1 1/8	17 5/8	11 1/4	7 1/8	5 3/4	8	9 9/16	1	10 1/2	9 5/8	11 3/8	11	22	8	11 1/2	12 5/8	21 1/2	15	7 1/4





SOURCE LEADER IN ELEVATED AIR MOVEMENT

Housed Blowers



Unhoused Blowers



Axial Blowers



PEERLESS
B L O W E R S

Peerless Blowers
Madison Manufacturing Company, Inc.

172 South Andrews Ave.
PO Box 187
Hot Springs, NC 28743-0187 • USA

828-622-7500 • 1-800-613-4766
Fax: 828-622-3309

peerlessblowers.com
salesteam@peerlessblowers.com