

Madison Manufacturing Company, Inc.

172 South Andrews Ave. | PO Box 187
Hot Springs, NC 28743-0187 | USA
Phone: 828-622-7500 | 1-800-613-4766
Fax: 828-622-3309

Web: www.peerlessblowers.com
Email: salesteam@peerlessblowers.com

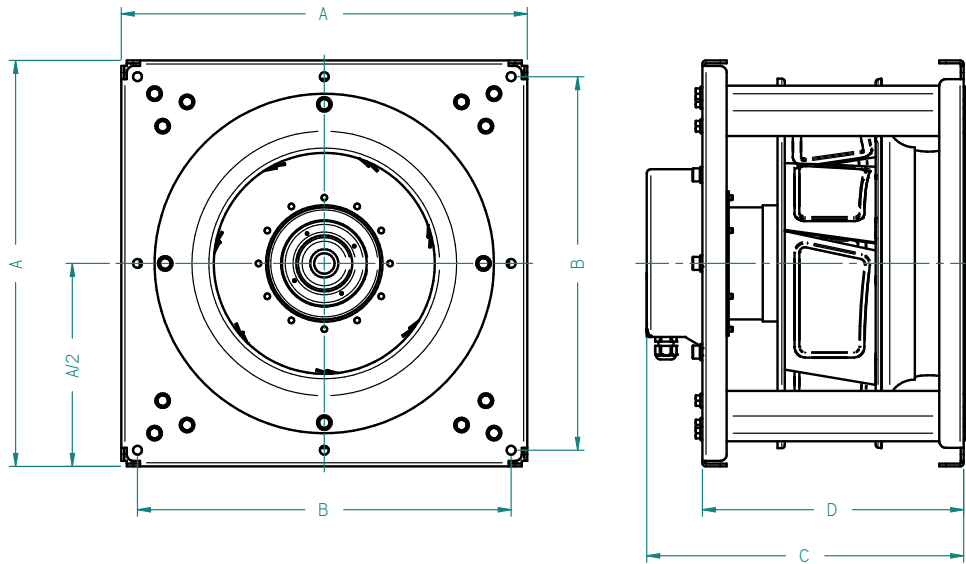
PLUGlight
Plug Fan



Standard Product Features:

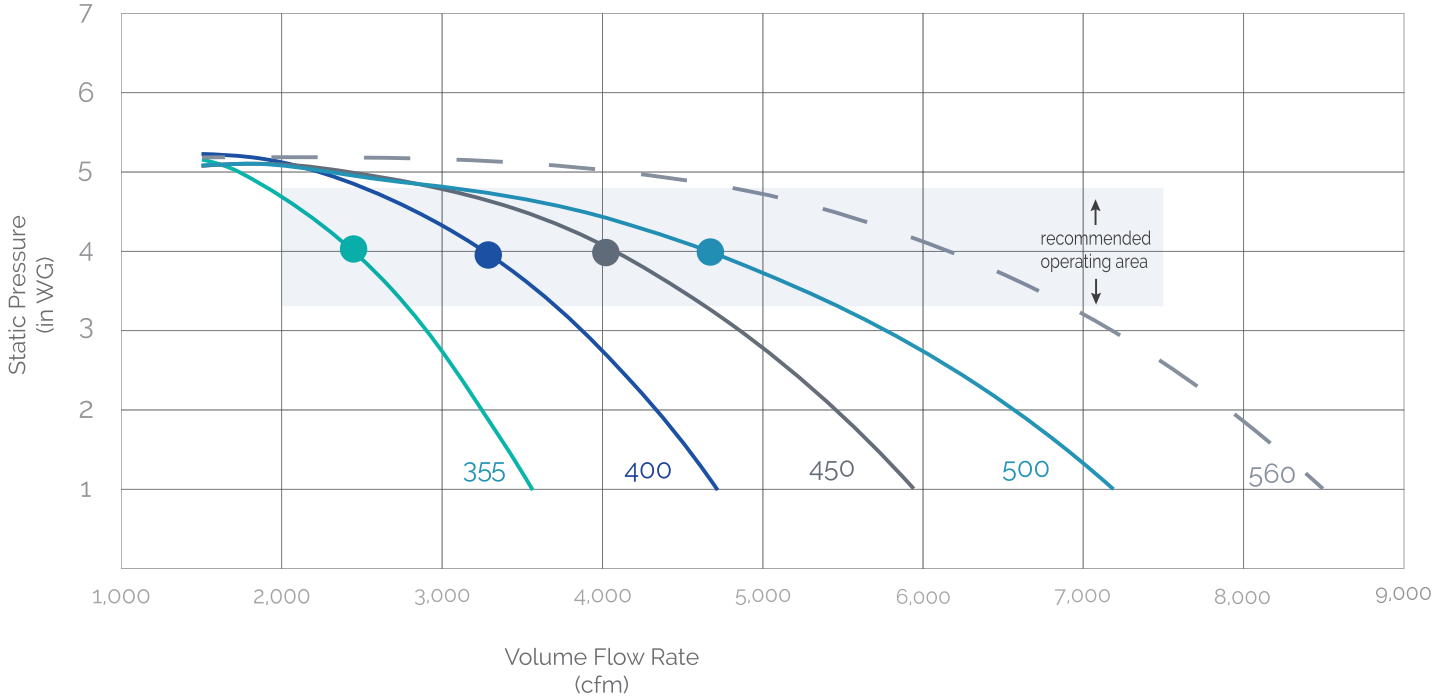
PLUGlight is a single inlet, high-efficiency radial diffuser fan wheel mounted on an electronically commutated external rotor motor with integrated controller. The radial fan wheel is made of aluminium with backward curved, welded blades. The aerodynamically coordinated steel inlet cone is equipped with a blind rivet nut for connecting a pressure tap. The complete unit is statically and dynamically balanced. EC motor efficiency class IE5 Ultra Premium efficiency, long lifetime, maintenance-free operation.

Inlet plate, motor plate, braces, inlet cone: galvanized steel | Braces. Fan wheel: aluminum | Direction of rotation: clockwise (suction side view) | Motor protection class: IP 55 | Motor insulation class: F



Model	Power (hp)	max. Speed (rpm)	Motor Protection Class	A (inch)	A/2 (inch)	B (inch)	C (inch)	D (inch)	Unit Weight (lbs)
PLUGlight 355	2.5	2,660	IP55	19 ¹¹ / ₁₆	9 ²⁷ / ₃₂	18 ⁷ / ₆₄	13 ¹¹ / ₁₆	11	67
PLUGlight 400	3.4	2,360	IP55	19 ¹¹ / ₁₆	9 ²⁷ / ₃₂	18 ⁷ / ₆₄	15 ³ / ₈	12 ¹¹ / ₁₆	72
PLUGlight 450	3.9	2,100	IP55	21 ²¹ / ₃₂	10 ⁵³ / ₆₄	20 ⁵ / ₆₄	16	13 ⁷ / ₁₆	90
PLUGlight 500	4.7	1,840	IP55	23 ⁵ / ₈	11 ¹³ / ₁₆	22 ³ / ₆₄	17 ⁵ / ₃₂	14 ²³ / ₃₂	110
PLUGlight 560	tbd	tbd	tbd	tbd	tbd	tbd	tbd	tbd	tbd

Performance Data



The characteristic curves shown are valid for measurements on a testing setup built in accordance with ISO 5801 (DIN 24163) and may vary depending on the mounting situation. In principle, it has to be taken into account that these characteristic values were recorded under laboratory conditions. The real data are to be evaluated in consideration of further marginal conditions.

Model	Best Efficiency Point	Volume Flow (cfm)	p_{sf} (in WG)	Lw6A [dB(A)]	System Efficiency Static (%)	P_e (hp)	n (rpm)
PLUGlight 355	●	2,420	4	90	61.1	2.5	2,660
PLUGlight 400	●	3,220	4	91	61.3	3.3	2,360
PLUGlight 450	●	4,020	4	93	63.0	4.0	2,100
PLUGlight 500	●	4,600	4	92	60.2	4.8	1,840
PLUGlight 560	●	tbd	tbd	tbd	tbd	tbd	tbd



Peerless Blowers | Madison Manufacturing Company, Inc.

172 South Andrews Ave. | PO Box 187
Hot Springs, NC 28743-0187 | USA
Phone: 828-622-7500 | 1-800-613-4766

Fax: 828-622-3309
Web: www.peerlessblowers.com
Email: salesteam@peerlessblowers.com