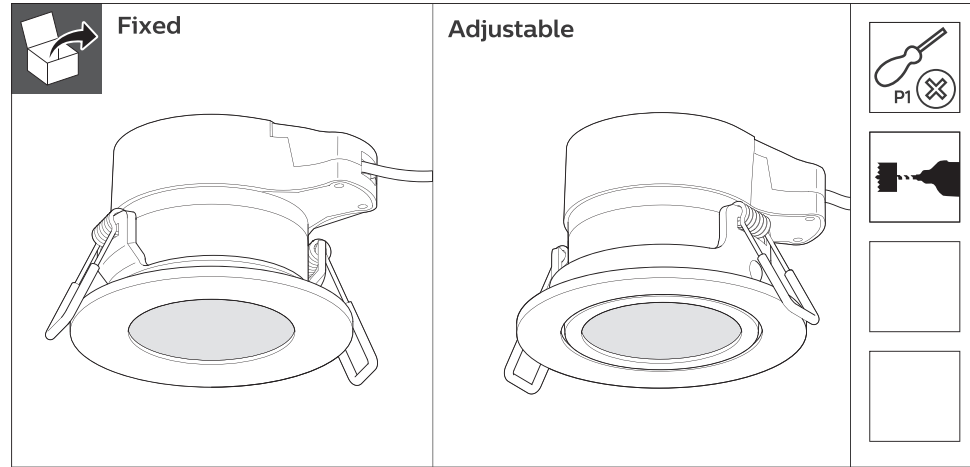


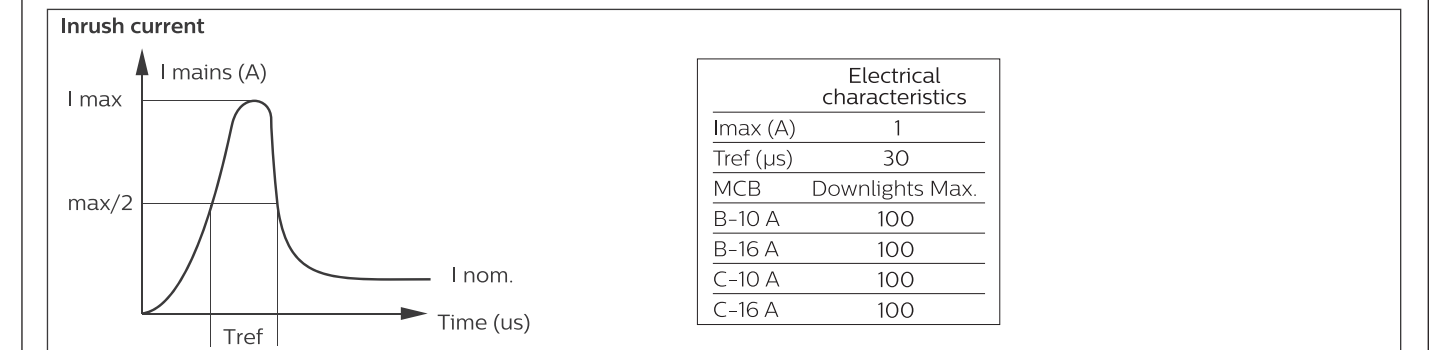
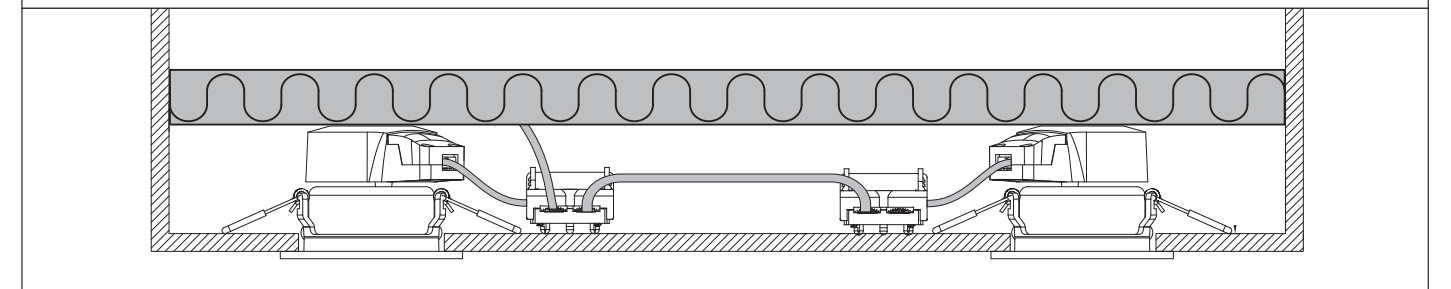
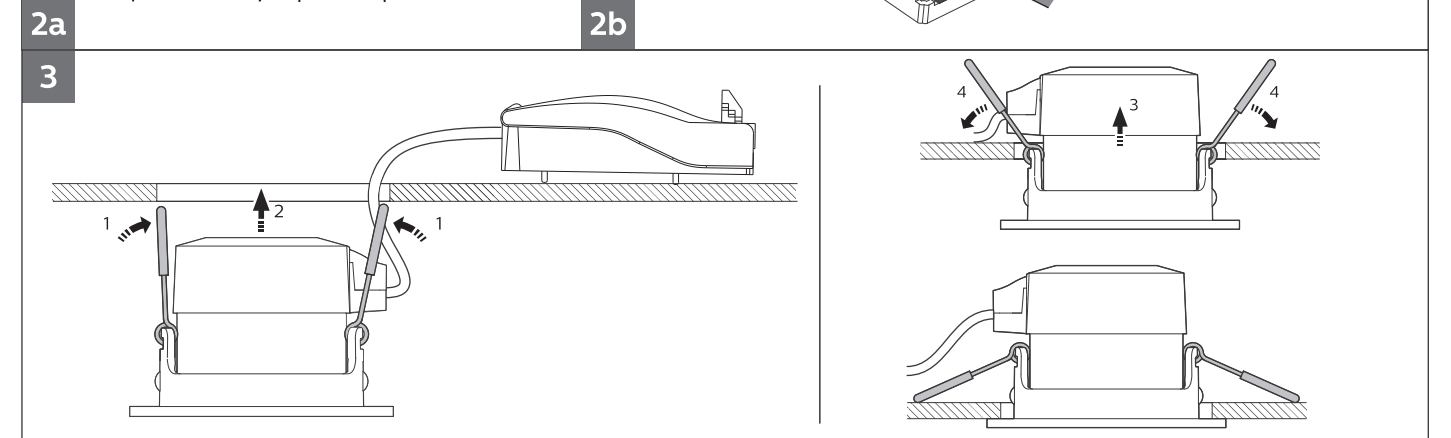
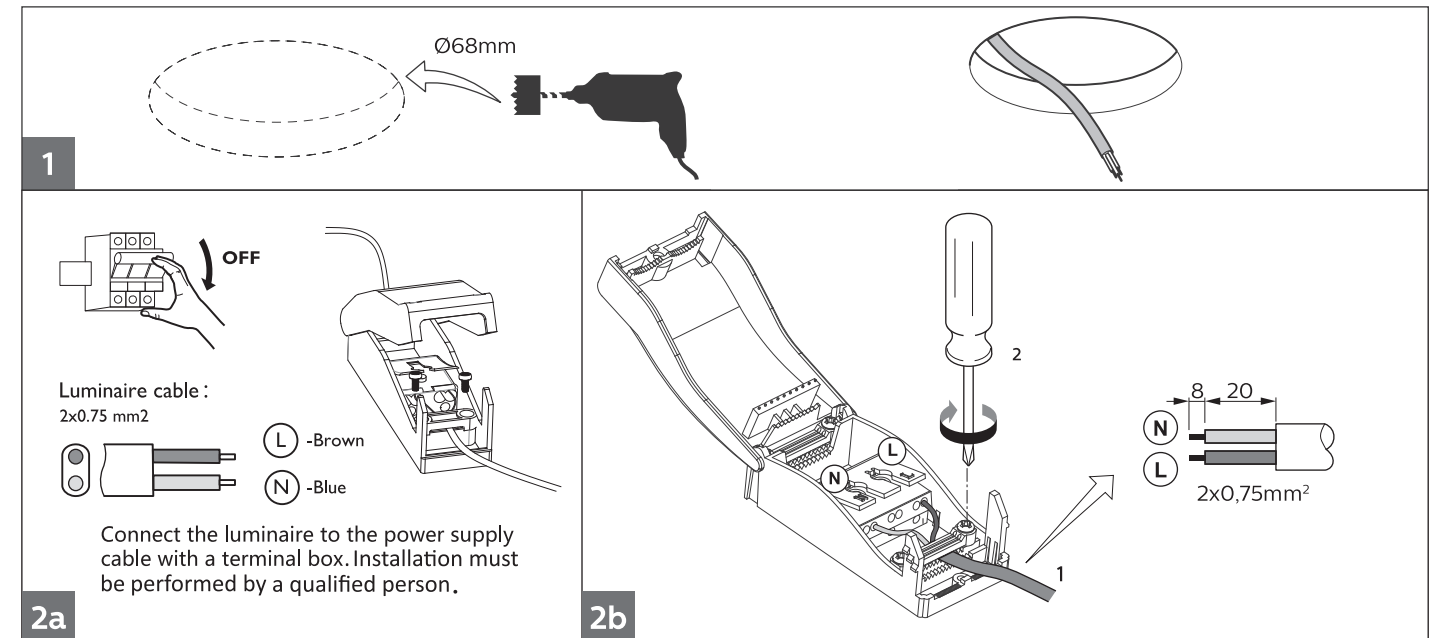
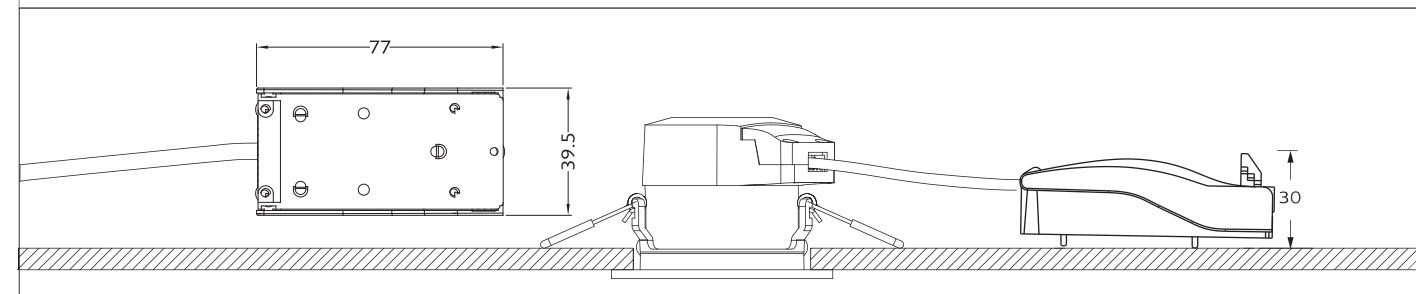
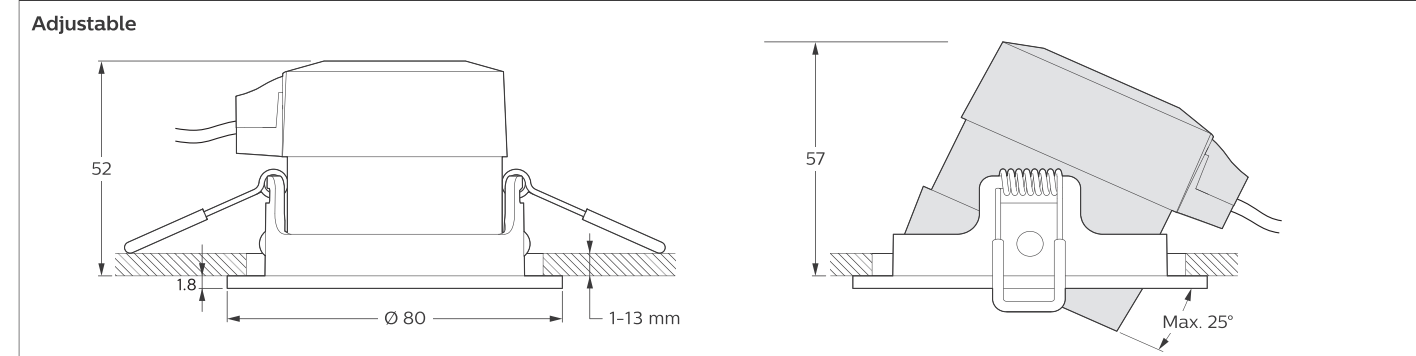
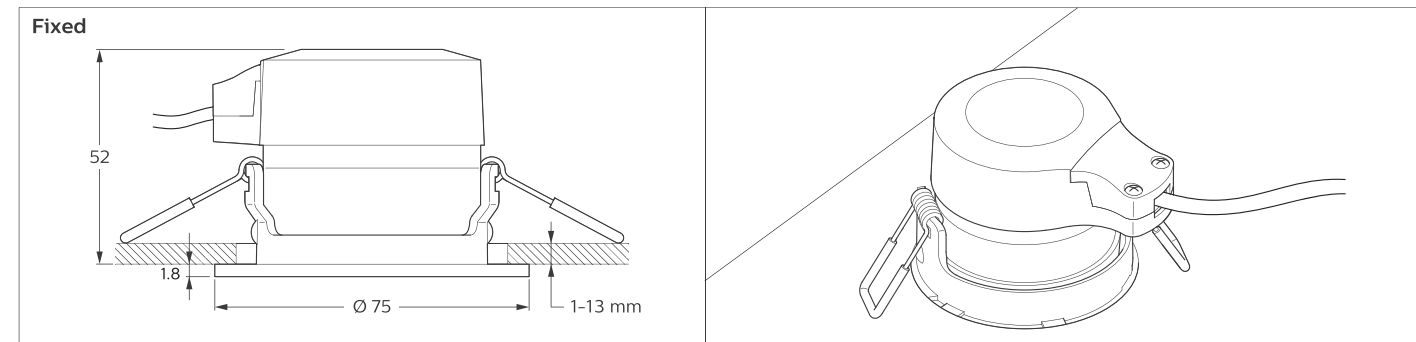
PHILIPS

ClearAccent

RS060B - RS061B



| Model Name | Product Description | Lum. Power | Total Lumen | Beam Angle | CCT | CRI | Ø mm | Vol./Freq. | Dimmable | kg |
|------------|----------------------------------|------------|-------------|------------|-------|-----|------|---------------------|----------|------|
| 9290026620 | RS060B G2 LDNR LED5-36/827 WH TW | 6W | 500 | 36° | 2700K | 80 | 68mm | 220-240V ~, 50/60Hz | Yes | 0.14 |
| 9290026621 | RS060B G2 LDNR LED5-36/830 WH TW | | 500 | | 3000K | | | | | |
| 9290026622 | RS060B G2 LDNR LED5-36/840 WH TW | | 550 | | 4000K | | | | | |
| 9290026623 | RS061B G2 LDNR LED5-36/827 WH TW | | 500 | | 2700K | | | | | |
| 9290026624 | RS061B G2 LDNR LED5-36/830 WH TW | | 500 | | 3000K | | | | | |
| 9290026625 | RS061B G2 LDNR LED5-36/840 WH TW | | 550 | | 4000K | | | | | |



- EN** Please read this manual carefully before using the product.
1. For indoor use only.
 2. Do not switch on before complete installation.
 3. The luminaire shall be installed by a qualified electrician and wired in accordance with the latest IEE electrical regulations or the national requirements.
 4. The external flexible cable or cord of this luminaire cannot be replaced; if the cord is damaged, the luminaire shall be destroyed.
 5. The luminaire is complied with IEC 60598.
 6. Luminaire must not be used or stored in corrosive environment where hazardous materials such as Sulphur, Chlorine, phthalates, etc. are present.
 7. Non-replaceable light source: The light source of this luminaire is not replaceable; when the light source reaches its end of life the whole luminaire shall be replaced.
 8. This product contains a light source of energy efficiency class F.

