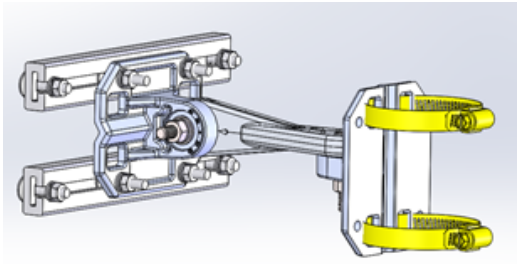


#### MOUNTING

The HKIT-PSQ24495, AP-ANT-MNT-5, is supplied with a articulating mount that accepts mast diameters from 2 to 5 inches (5.1 to 12.7 cm) or mounts to any flat surface using a 2.5 inch by 2.5 inch hole pattern. This mount is especially designed to provide wide-range articulation in both azimuth and elevation planes. Avoid sharp bends or kinks in the coaxial cable when routing the antenna feedline, and tighten all hardware and connectors firmly.

#### PARTS LIST

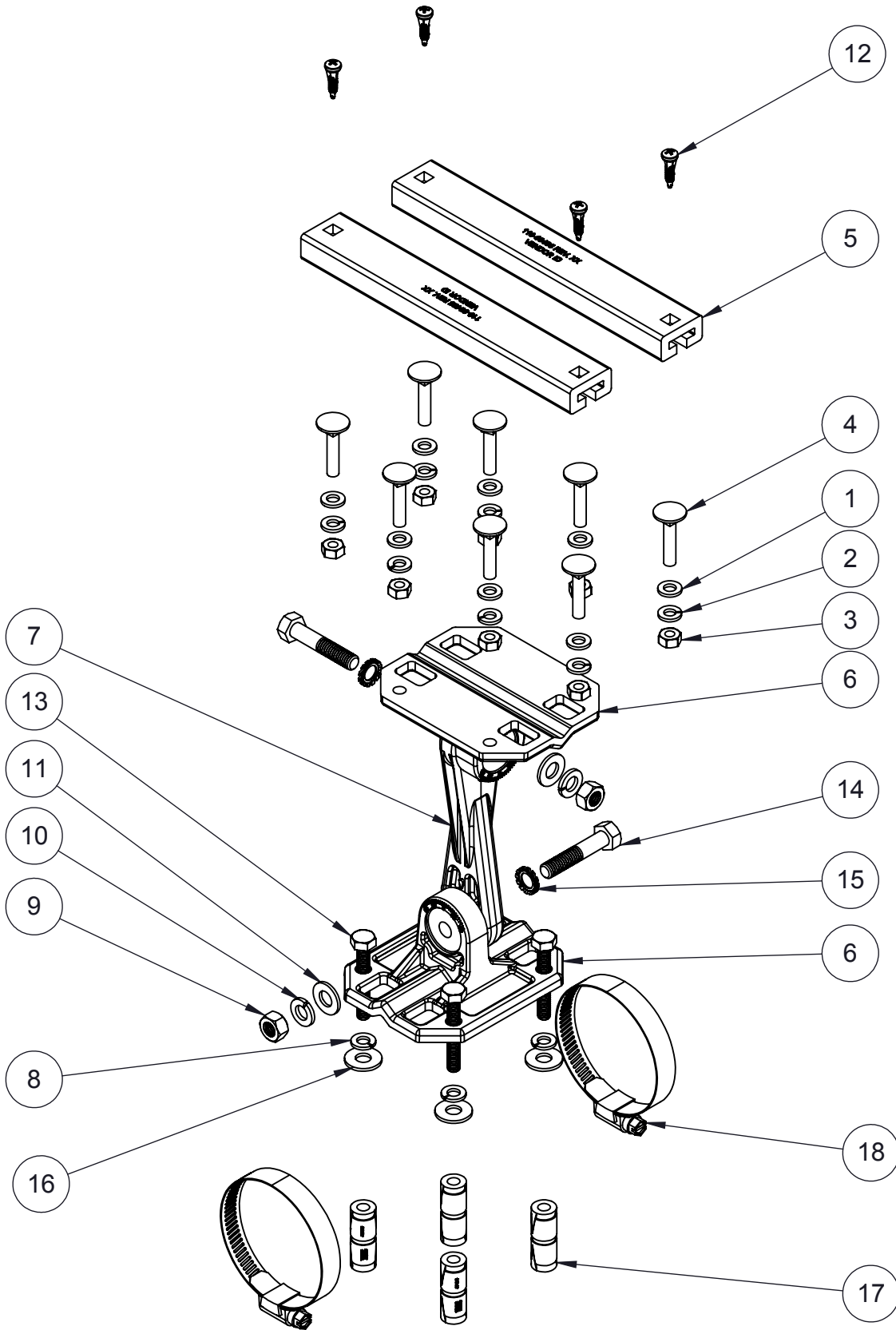
##### Mounting Kit HKIT-PSQ24495



#### Warranty and Liability

Laird warrants to the original purchaser that antenna products will remain free from defects in materials and workmanship for a period of (5) years from the purchase date. If any such defect is discovered within the warranty period, Laird will at its sole option, repair or replace the Product free of charge upon its return to the factory. This warranty applies only if the Product is used in a normal fashion, and is void if the Product is abused, disassembled, tampered with, used unreasonably, or fails as a result of normal wear. Furthermore, this warranty applies only to defects, which occur where the proper Product is selected as recommended by Laird and is used in the fashion recommended by Laird for the defective Product. THIS WARRANTY IS IN LIEU OF ALL OTHER WARRANTIES, EXPRESSED OR IMPLIED, AND IS LIMITED TO A PERIOD OF (5) YEARS FROM THE DATE OF ORIGINAL PURCHASE. LAIRD IS NOT LIABLE FOR INCIDENTAL OR CONSEQUENTIAL DAMAGES OF ANY KIND. ANY WARRANTY EXTENDED HEREIN SHALL BE LIMITED TO THE PRICE PAID TO LAIRD FOR THE DEFECTIVE PRODUCT. WHERE STATE OR LOCAL LAW GOVERNS THE PERIOD OF WARRANTY, SUCH PERIOD SHALL CONTROL.

19	154465	ANCHOR, WALL, #8 PLASTIC	4
18	101-00120	CLAMP, HOSE, WORM-GEAR, 1-13/16" TO 2-3/4"	2
17	027871	ANCHOR, EXPANSION, DOUBLE SHELL	4
16	017868	FLAT WASHER	4
15	017845	WASHER, EXT OL SERRATED, [M8], SS, PA	2
14	017844	HBOLT 0.3125-18x1.625x0.875-S	2
13	015294	SCREW, HEX, [1/4-20 x 1-3/4"], SS, PA	4
12	014466	SCR,PPH-F,8-18x3/4",SS,PA,TYPE-AB	4
11	013402	WASHER, FLAT, [5/16"], SS, PA	2
10	010119	WASHER, SPLIT-LOCK, [5/16"], SS, PA	2
9	010118	HNUT 0.3125-18-D-S	2
8	010084	WASHER, SPLIT-LOCK, 1/4	4
7	112-00023	ARM, HDMNT	1
6	112-00022	FLANGE, HDMNT	2
5	110-00405	RAIL	2
4	102-00019	CARRIAGE BOLT M6	8
3	101-00084	M6 NUT	8
2	101-00038	WASHER, SLOCK, M6, SS, PA, DIN 127	8
1	101-00031	WASHER (M6)	8
ITEM NO.	PART NUMBER	DESCRIPTION	QTY.



SCHAUMBURG, IL 60173  
USA

SIZE

**A3**

DWG. NO.

**HKIT-PS24495Á**

REV

**AB**

SCALE: 1:10Á PREVIOUS#

SHEET 2 OF 2