

Installation and User's Guide
Microsemi Adaptec[®] HBA 1100 Series Host Bus
Adapters

Released
September 2017



Revision History

Issue	Issue Date	Details of Change
4	September 2017	First Production Release.
3	May 2017	Release Candidate Draft.
2	April 2017	Release Candidate Draft.
1.01	November 2016	Pre-production release.
1	October 2016	Pre-production release.

Contents

Microsemi Adaptec® Product Support.....	7
Limited 3-Year Hardware Warranty.....	8
Regulatory Compliance Statements.....	9
1 About This Guide.....	12
1.1 What You Need to Know Before You Begin.....	12
1.2 Terminology Used in this Guide.....	12
1.3 How to Find More Information.....	12
2 Kit Contents and System Requirements.....	13
2.1 Kit Contents.....	13
2.2 System Requirements	13
3 About Your Host Bus Adapter	14
3.1 Standard Features.....	14
3.2 Mechanical Information	14
3.2.1 Board Dimensions.....	14
3.2.2 Heat Sink.....	14
3.3 Visual Indicators.....	14
3.4 About the Microsemi Adaptec HBA 1100-8i.....	16
3.5 About the Microsemi Adaptec HBA 1100-4i.....	17
3.6 About the Microsemi Adaptec HBA 1100-8e.....	18
3.7 About the Microsemi Adaptec HBA 1100-16i.....	19
3.8 About the Microsemi Adaptec HBA 1100-24i.....	20
4 Installing the Controller and Disk Drives.....	21
4.1 Before You Begin.....	21
4.2 Selecting Disk Drives and Cables	21
4.2.1 Disk Drives.....	21
4.2.2 Cables.....	21
4.3 Installing the Host Bus Adapter.....	22
5 Installing the Driver and an Operating System	24
5.1 Download the Driver Package.....	24
5.2 Creating a Driver Disk.....	24
5.3 Installing with Windows	24
5.4 Installing with Red Hat Linux or CentOS.....	25
5.5 Installing with SuSE Linux Enterprise Server.....	26
5.6 Installing with Oracle Linux.....	27
5.7 Installing with Ubuntu Linux.....	28
5.8 Installing with Debian Linux.....	29
5.9 Installing with FreeBSD.....	30
5.10 Installing with Solaris.....	32
5.10.1 Installing with Solaris Live Media.....	32
5.10.2 Installing with Solaris Text Installer.....	33
5.11 Installing with Citrix XenServer	34

5.12 Installing with VMware	34
6 Installing the Driver on an Existing Operating System	36
6.1 Download the Driver Package.....	36
6.2 Creating a Driver Disk.....	36
6.3 Installing on Windows	36
6.4 Installing on Red Hat or CentOS.....	37
6.5 Installing on SuSE Linux Enterprise Server.....	38
6.6 Installing on Oracle Linux.....	39
6.7 Installing on Ubuntu Linux.....	40
6.8 Installing on Debian Linux.....	41
6.9 Installing on FreeBSD.....	41
6.10 Installing on Solaris.....	41
6.11 Installing on Citrix XenServer.....	43
6.12 Installing on VMware.....	43
7 Solving Problems	44
7.1 Troubleshooting Checklist.....	44
7.2 Resetting the Adapter	44
Appendix A Using the Microsemi SAS/SATA Configuration Utility.....	45
A.1 Running the Microsemi SAS/SATA Configuration Utility: Ctrl-A or UEFI/HII?	45
A.2 Modifying Controller Settings.....	46
A.3 BMC Settings.....	46
A.4 Viewing Disk Drive Properties.....	46
A.5 Device Information.....	46
A.6 Identifying a Disk Drive.....	46
A.7 Updating Drive Firmware.....	47
A.8 Clearing RAID Meta-data.....	47
A.9 Setting the Bootable Device(s) for Legacy Boot Mode.....	48
A.10 Updating the HBA 1100 Series adapter Firmware.....	48
A.11 Creating a Support Archive.....	48
Appendix B Installing the SmartPQI Drivers from Source	50
B.1 Installation Instructions for Supported Linux OS's.....	50
B.2 Using the Installation DVD as the Repository.....	52
Appendix C Safety Information.....	54
C.1 Electrostatic Discharge (ESD).....	54
Appendix D Technical Specifications.....	55
D.1 Environmental Specifications.....	55
D.2 DC Power Requirements.....	55
D.3 Current and Power Requirements	55

Figures

- Figure 1 • HBA 1100 Series LED Locations.....15
- Figure 2 • HBA 1100-8i Features.....16
- Figure 3 • HBA 1100-4i Features.....17
- Figure 4 • HBA 1100-8e Features.....18
- Figure 5 • HBA 1100-16i Features.....19
- Figure 6 • HBA 1100-24i Features.....20

Tables

Table 1 • HBA 1100 Series Board Dimensions14
Table 2 • HBA1100 Status LEDs15

Microsemi Adaptec® Product Support

If you have questions about installing or using your Microsemi Adaptec® product, check this document first—you will find answers to most of your questions. If you need further assistance, use the support options listed below. To expedite your service, have your computer in front of you.

Note: Please visit our Support site at start.microsemi.com for the most up to date contact information.

Self Help and Support in English

- Search the Microsemi Support Knowledgebase (ASK) at ask.microsemi.com for articles, troubleshooting tips, and frequently asked questions for your product.
- For support through email, submit your question at ask.microsemi.com.
- To contact Technical Support, visit our product support site at start.microsemi.com.

Technische Informationen und Support in Deutsch

- Suchen Sie in der Adaptec Support Knowledgebase (ASK) unter ask-de.microsemi.com nach Artikeln, Tipps zur Fehlerbehebung und häufig gestellten Fragen zu Ihrem Produkt.
- Support per Email erhalten Sie unter ask-de.microsemi.com.
- Um den Technischen Support zu kontaktieren, besuchen Sie uns bitte unter start.microsemi.com und klicken Sie auf „Support kontaktieren“, für Auswahlmöglichkeiten.

Техническая поддержка и информация на русском языке

- База знаний Microsemi (ASK) на сайте ask-ru.microsemi.com ask-ru.adaptec.com – статьи, советы по устранению неисправностей и часто задаваемые вопросы о Вашем продукте.
- Для поддержки по электронной почте отправьте Ваш запрос на сайте ask-ru.microsemi.com
- Для обращения в службу Технической Поддержки, пожалуйста, посетите наш web сайт start.microsemi.com и используйте ссылку "Contact Support".

日本語での技術情報とサポート

- ask.microsemi.co.jp のMicrosemi Support Knowledgebase (ASK)で、お使いの製品の情報 トラブルシューティングのヒント、よくある質問を検索してください。
- Eメールでのサポートには ask.microsemi.co.jp から質問を送ってください。
- テクニカルサポートへコンタクトするには、弊社ウェブサイトstart.microsemi.comをご覧ください、"Contact Support"をクリックして下さい。

Limited 3-Year Hardware Warranty

1. Microsemi Corporation (“Microsemi”) warrants to the purchaser of this product that it will be free from defects in material and workmanship for a period of three (3) years from the date of purchase. If the product should become defective within the warranty period, Microsemi, at its option, will repair or replace the product, or refund the purchaser's purchase price for the product, provided it is delivered at the purchaser's expense to an authorized Microsemi service facility or to Microsemi.
2. Repair or replacement parts or products will be furnished on an exchange basis and will either be new or reconditioned and will be subject to original warranty term. All replaced parts or products shall become the property of Microsemi. This warranty shall not apply if the product has been damaged by accident, misuse, abuse or as a result of unauthorized service or parts.
3. Warranty service is available to the purchaser by delivering the product during the warranty period to an authorized Microsemi service facility or to Microsemi and providing proof of purchase price and date. The purchaser shall bear all shipping, packing, and insurance costs and all other costs, excluding labor and parts, necessary to effectuate repair, replacement or refund under this warranty.
4. For more information on how to obtain warranty service, click on the Services & Support link at microsemi.com.
5. THIS LIMITED WARRANTY DOES NOT EXTEND TO ANY PRODUCT WHICH HAS BEEN DAMAGED AS A RESULT OF ACCIDENT, MISUSE, ABUSE, OR AS A RESULT OF UNAUTHORIZED SERVICE OR PARTS.
6. THIS WARRANTY IS IN LIEU OF ALL OTHER EXPRESS WARRANTIES WHICH NOW OR HEREAFTER MIGHT OTHERWISE ARISE RESPECT TO THIS PRODUCT. IMPLIED WARRANTIES, INCLUDING THOSE OF MERCHANTABILITY, FITNESS FOR A PARTICULAR PURPOSE AND NON-INFRINGEMENT SHALL (A) HAVE NO GREATER DURATION THAN 3 YEARS FROM THE DATE OF PURCHASE, (B) TERMINATE AUTOMATICALLY AT THE EXPIRATION OF SUCH PERIOD AND (C) TO THE EXTENT PERMITTED BY LAW BE EXCLUDED. IN THE EVENT THIS PRODUCT BECOMES DEFECTIVE DURING THE WARRANTY PERIOD, THE PURCHASER'S EXCLUSIVE REMEDY SHALL BE REPAIR, REPLACEMENT OR REFUND AS PROVIDED ABOVE. INCIDENTAL OR CONSEQUENTIAL DAMAGES, INCLUDING WITHOUT LIMITATION LOSS OF DATA, ARISING FROM BREACH OF ANY EXPRESS OR IMPLIED WARRANTY ARE NOT THE RESPONSIBILITY OF MICROSEMI AND, TO THE EXTENT PERMITTED BY LAW, ARE HEREBY EXCLUDED BOTH FOR PROPERTY DAMAGE, AND TO THE EXTENT NOT UNCONSCIONABLE, FOR PERSONAL INJURY DAMAGE.
7. WITHIN THE US, SOME STATES DO NOT ALLOW THE EXCLUSION OR LIMITATION OF INCIDENTAL OR CONSEQUENTIAL DAMAGES FOR CONSUMER PRODUCTS, AND SOME STATES DO NOT ALLOW LIMITATIONS ON HOW LONG AN IMPLIED WARRANTY LASTS, SO THE ABOVE LIMITATION OR EXCLUSIONS MAY NOT APPLY TO YOU.
8. THIS WARRANTY GIVES YOU SPECIFIC LEGAL RIGHTS, AND YOU MAY ALSO HAVE OTHER RIGHTS WHICH VARY DEPENDING ON WHERE YOU RESIDE.
9. FOR AUSTRALIA RESIDENTS, IF THE PRODUCT SHOULD BECOME DEFECTIVE WITHIN THE WARRANTY PERIOD, MICROSEMI, AT ITS OPTION, WILL REPAIR OR REPLACE THE PRODUCT, OR REFUND THE PURCHASER'S PURCHASE FOR THE PRODUCT, PROVIDED IT IS DELIVERED AT THE PURCHASER'S EXPENSE BACK TO THE PLACE OF PURCHASE AFTER MICROSEMI TECHNICAL SUPPORT HAS ISSUED AN INCIDENT NUMBER. IN ADDITION TO THE WARRANTIES SET FORTH HEREIN, OUR GOODS COME WITH GUARANTEES THAT CANNOT BE EXCLUDED UNDER THE AUSTRALIAN CONSUMER LAW. YOU ARE ENTITLED TO A REPLACEMENT OR REFUND FOR A MAJOR FAILURE AND FOR COMPENSATION FOR ANY OTHER REASONABLY FORESEEABLE LOSS OR DAMAGE. YOU ARE ALSO ENTITLED TO HAVE THE GOODS REPAIRED OR REPLACED IF THE GOODS FAIL TO BE OF ACCEPTABLE QUALITY AND THE FAILURE DOES NOT AMOUNT TO A MAJOR FAILURE.

Regulatory Compliance Statements

Federal Communications Commission Radio Frequency Interference Statement

Attention: Changes or modifications to this unit not expressly approved by the party responsible for compliance could void the user's authority to operate the equipment.

This equipment has been tested and found to comply with the limits for a Class B digital device, pursuant to Part 15 of the FCC rules. These limits are designed to provide reasonable protection against harmful interference in a residential installation. This equipment generates, uses, and can radiate radio frequency energy, and if not installed and used in accordance with the instruction manual, may cause harmful interference to radio communications. However, there is no guarantee that interference will not occur in a particular installation. However, if this equipment does cause interference to radio or television equipment reception, which can be determined by turning the equipment off and on, the user is encouraged to try to correct the interference by one or more of the following measures:

- Reorient or relocate the receiving antenna.
- Increase the separation between equipment and receiver.
- Connect the equipment to an outlet on a circuit different from that to which the receiver is connected.
- Consult the dealer or an experienced radio/television technician for help.
- Use a shielded and properly grounded I/O cable and power cable to ensure compliance of this unit to the specified limits of the rules.

This device complies with part 15 of the FCC rules. Operation is subject to the following two conditions: (1) this device may not cause harmful interference and (2) this device must accept any interference received, including interference that may cause undesired operation.

UL Compliance Statement



Microsemi Adaptec products are tested and listed by Underwriters Laboratories, Inc. to UL 60950-1 Second Edition and IEC-60950-1 Second Edition standards, file numbers E175975. Microsemi Adaptec products are for use only with UL listed ITE.

Microsemi Corporation


Use only with the listed ITE:

Microsemi Adaptec HBA 1100-8i/Microsemi Adaptec HBA 1100-4i/
 Microsemi Adaptec HBA 1100-8e/Microsemi Adaptec HBA 1100-16i/
 Microsemi Adaptec HBA 1100-24i

FC Tested to Comply
 With FCC Standards

FOR HOME OR OFFICE USE

European Union Compliance Statement

 This Information Technology Equipment has been tested and found to comply with EMC Directive 2014/30/EU, in accordance with:

- EN55022 (1998+A1:2000+A2:2007) Emissions:
 - Class B ITE radiated and conducted emissions
- EN55024 (1998+A1:2001+A2:2010) Immunity:
 - EN61000-4-2 (2009) Electrostatic discharge: ± 4 kV contact, ± 8 kV air
 - EN61000-4-3 (2010) Radiated immunity: 3V/m
 - EN61000-4-4 (2004) Electrical fast transients/burst: ± 1 kV AC, ± 0.5 kV I/O
 - EN61000-4-5 (2006) Surges: ± 1 kV differential mode, ± 2 kV common mode
 - EN61000-4-6 (2009) Conducted immunity: 3 V
 - EN61000-4-11 (2004) Supply dips and variations: 30% and 100%
- EN50581 (2012) Technical Documentation:
 - For the assessment of electrical and electronic products with respect to the restriction of hazardous substances

In addition, all equipment requiring U.L. listing has been found to comply with EMC Directive 2014/35/EU, in accordance with EN60950 with amendments A1, A2, A3, A4, A11.

Australian/New Zealand Compliance Statement



This device has been tested and found to comply with the limits for a Class B digital device, pursuant to the Australian/New Zealand standard AS/NZS 3548 set out by the Spectrum Management Agency.

Canadian Compliance Statement



This Class B digital apparatus meets all requirements of the Canadian Interference-Causing Equipment Regulations.
Cet appareil numérique de la classe B respecte toutes les exigences du Règlement sur le matériel brouilleur du Canada.

Japanese Compliance (Voluntary Control Council Initiative)



This equipment complies to class B Information Technology equipment based on VCCI (Voluntary Control Council for Interface). This equipment is designed for home use but it may cause radio frequency interference problem if used too near to a television or radio. Please handle it correctly per this documentation.

Korean Compliance (KCC) Statement



This Microsemi Adaptec product is tested and certified by KCC:

MSIP-REM-M2C-3154-8i

The above certification covers the following series:

Microsemi Adaptec HBA 1100-8i

This Microsemi Adaptec product is tested and certified by KCC:

MSIP-REM-M2C-3154-8e

The above certification covers the following series:

Microsemi Adaptec HBA 1100-8e

This Microsemi Adaptec product is tested and certified by KCC:

MSIP-REM-M2C-2100-4i4e

The above certification covers the following series:

Microsemi Adaptec HBA 1100-4i

This Microsemi Adaptec product is tested and certified by KCC:
Korean Compliance (KCC) Statement:

MSIP-REM-M2C-3154-24i

The above certification covers the following series:

Microsemi HBA 1100-16i

Microsemi HBA 1100-24i

B급 기기

(가정용 방송통신기자재)

Class B Equipment

(For Home Use Broadcasting & Communication Equipment)

이 기기는 가정용(B급) 전자파적합기기로서 주로 가정에서 사용하는 것을 목적으로 하며, 모든 지역에서 사용할 수 있습니다.

This equipment is home use (Class B) electromagnetic wave suitability equipment and to be used mainly at home and it can be used in all areas.

1 About This Guide

This Installation and User's Guide explains how to install and setup your Microsemi Adaptec® HBA 1100 Series Host Bus Adapter, including driver installation and use of the BIOS-based Microsemi SAS/SATA Configuration utility. It also provides troubleshooting tips and instructions for flashing the HBA 1100 Series firmware.

These HBA 1100 Series models are described in this guide:

- Microsemi Adaptec HBA 1100-8i
- Microsemi Adaptec HBA 1100-4i
- Microsemi Adaptec HBA 1100-8e
- Microsemi Adaptec HBA 1100-16i
- Microsemi Adaptec HBA 1100-24i

1.1 What You Need to Know Before You Begin

This guide is written for data storage and IT professionals who are responsible for installing, configuring, and maintaining HBA 1100 Series Host Bus Adapters in computers or servers in a "cloud" or data center environment. You should be familiar with computer hardware, operating system administration, data storage devices, and SAS and Serial ATA (SATA) technology.

1.2 Terminology Used in this Guide

Many of the terms and concepts referred to in this guide are known to computer users by multiple names. This guide uses these terms:

- Host Bus Adapter or HBA (also known as controller, adapter, or I/O card)
- Disk drive (also known as hard disk, hard drive, or hard disk drive)
- Solid State Drive (also known as SSD or non-rotating storage media)
- Enclosure (also known as a storage enclosure, disk drive enclosure, or JBOD)

1.3 How to Find More Information

You can find more information about your HBA 1100 Series Host Bus Adapter by referring to these documents, available for download at start.microsemi.com.

- *Microsemi Adaptec Host Bus Adapter 1100 Series Command Line Utility User's Guide*—Describes how to use the ARCCONF utility to perform configuration and storage management tasks from an interactive command line. (ESC-2161614)
- *Microsemi Adaptec HBA 1100 Series Host Bus Adapters Installation and User's Guide* (this manual)—Describes how to install drivers and configure the HBA 1100 Series adapter for initial use. (ESC-2161232)
- *Microsemi Adaptec Host Bus Adapter 1100 Series Release Notes*—Includes updated product information and known issues and limitations. (ESC-2162192)

2 Kit Contents and System Requirements

This section lists the contents of your HBA 1100 Series kit and the system requirements for successfully installing and using your HBA.

2.1 Kit Contents

- HBA 1100 Series adapter
- Low-profile bracket

Note: The latest firmware, drivers, utilities software, and documentation can be downloaded at storage.microsemi.com. For more information, see [Downloading the Driver Package](#).

2.2 System Requirements

- PC-compatible computer with Intel Pentium, or equivalent, processor
 - 4 GB of RAM minimum
 - Available compatible PCIe slot (depending on your adapter model—see the descriptions in [About Your Host Bus Adapter](#))
 - One of these operating systems:
 - Microsoft® Windows® Server, Windows 10, Windows 8.1, Windows 7
 - Red Hat® Enterprise Linux
 - CentOS
 - SuSE Linux Enterprise Server
 - Ubuntu Linux
 - Debian Linux
 - Oracle Linux
 - Citrix XenServer
 - Solaris
 - FreeBSD
 - VMware ESXi
- See the *Release Notes* for a complete list of supported OSs and OS versions.
- USB flash drive or CD burner, for creating driver disks and bootable media

3 About Your Host Bus Adapter

This section provides an overview of the features of the HBA 1100 Series adapters.

3.1 Standard Features

- Support for SAS and SATA Hard Disk Drives (HDD), Solid State Drives (SSDs), and SAS tape drives
- UEFI pre-boot BIOS, CTRL-A configuration utility
- Flash ROM for updates to firmware and BIOS
- Up to 8 ports, 12 Gbps SAS I/O and 8 Gbps PCIe I/O with HBA 1100-8i or HBA1100-8e
- Up to 4 ports, 12 Gbps SAS I/O and 8 Gbps PCIe I/O with HBA 1100-4i
- Up to 16 ports, 12 Gbps SAS I/O and 8 Gbps PCIe I/O with HBA 1100-16i
- Up to 24 ports, 12 Gbps SAS I/O and 8 Gbps PCIe I/O with HBA 1100-24i
- SAS 3.0, PCIe 3.0
- Low-profile MD2 form factor
- Mini-SAS HD connectors
- Support for disk drive enclosures with SES 2.x/3.x inband support, TWI, IBPI and SGPIO enclosure management
- Thermal sensor, with logging capabilities

3.2 Mechanical Information

3.2.1 Board Dimensions

This table shows the board dimensions of the HBA 1100 Series adapters, in inches.

Table 1 • HBA 1100 Series Board Dimensions

Dimension	HBA 1100-8i/8e/16i/24i	HBA 1100-4i
Height	2.712"	2.712"
Length	6.600"	5.200"
PCB Thickness	0.062"	0.062"
Max Component Height, Top Side	0.570"	0.570"
Max Component Height, Bottom Side	0.105"	0.105"

3.2.2 Heat Sink

HBA 1100 Series adapters include a passive heat sink. For airflow requirements, see [Environmental Specifications](#) on page 55.

3.3 Visual Indicators

HBA 1100-4i, -8i, and -8e adapters include status LEDs at the top of the printed circuit board and near the mounting bracket. On HBA 1100-16i and -24i adapters, the LEDs are located on the back of the board (see [Figure 1 • HBA 1100 Series LED Locations](#)). The LEDs provide a visual indication of the board hardware status, as described in [Table 2 • HBA1100 Status LEDs](#).

Front panel brackets have three holes for the Heartbeat LED, Fault LED, and Crypto LED.

Note: The Crypto LED (near the mounting bracket) is not present on HBA 1100-4i adapter boards.

Figure 1 • HBA 1100 Series LED Locations

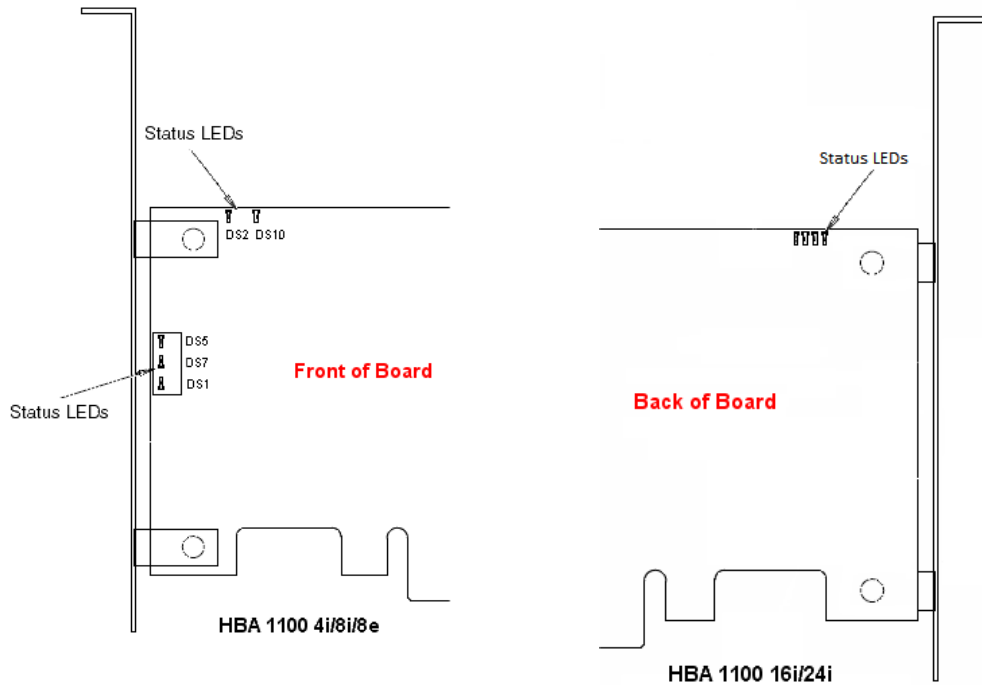


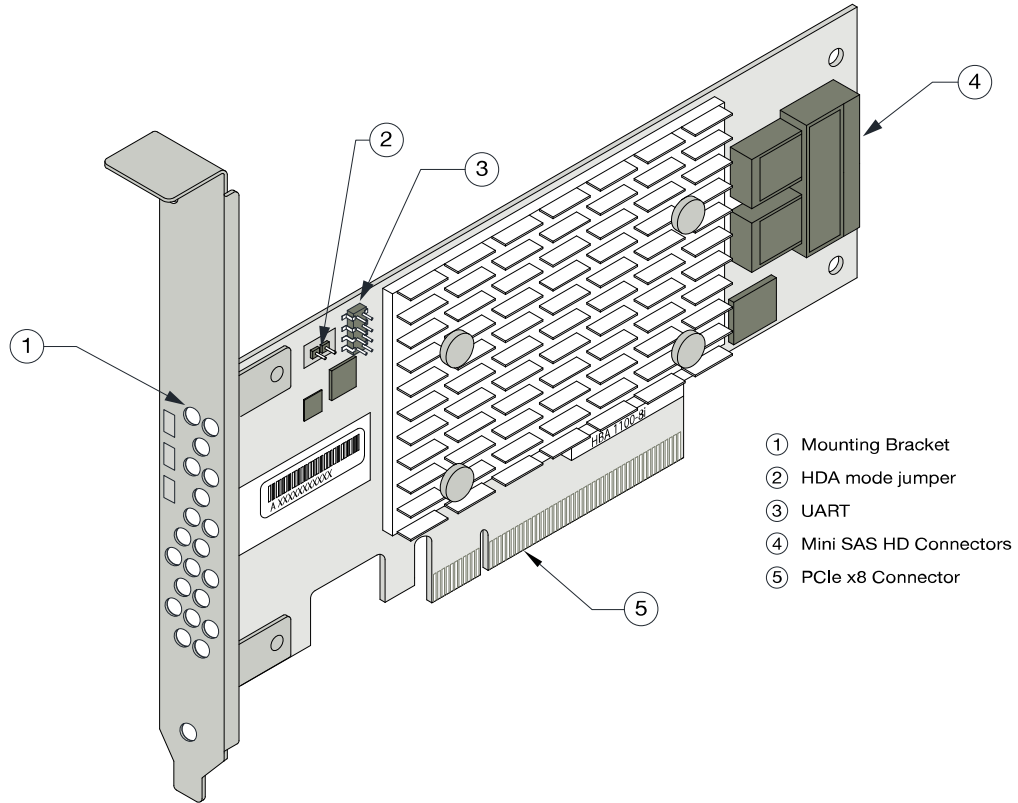
Table 2 • HBA1100 Status LEDs

LED	Color	Meaning
HEARTBEAT (DS5)	Green	Heartbeat (blinks once per second when firmware is operating normally)
FAULT (DS7)	Amber	Hardware Lockup/Fault
CRYPTO (DS1)	Green	Cryptographic State: always off. HBA 1100 Series adapters do not support encryption.
AVS_ENB (DS2)	Green	The controller is operating normally if this LED is on or off: On=Adaptive Voltage Scaling (AVS) enabled, Off=Adaptive Voltage Scaling (AVS) disabled. Note: Not supported on HBA1100-16i and HBA1100-24i adapters.
PAL_DEBUG (DS10)	Yellow	Reserved: always off. HBA 1100 Series adapters do not support this feature.

3.4 About the Microsemi Adaptec HBA 1100-8i

The Microsemi Adaptec HBA 1100-8i is a SAS Host Bus Adapter with these features:

Figure 2 • HBA 1100-8i Features

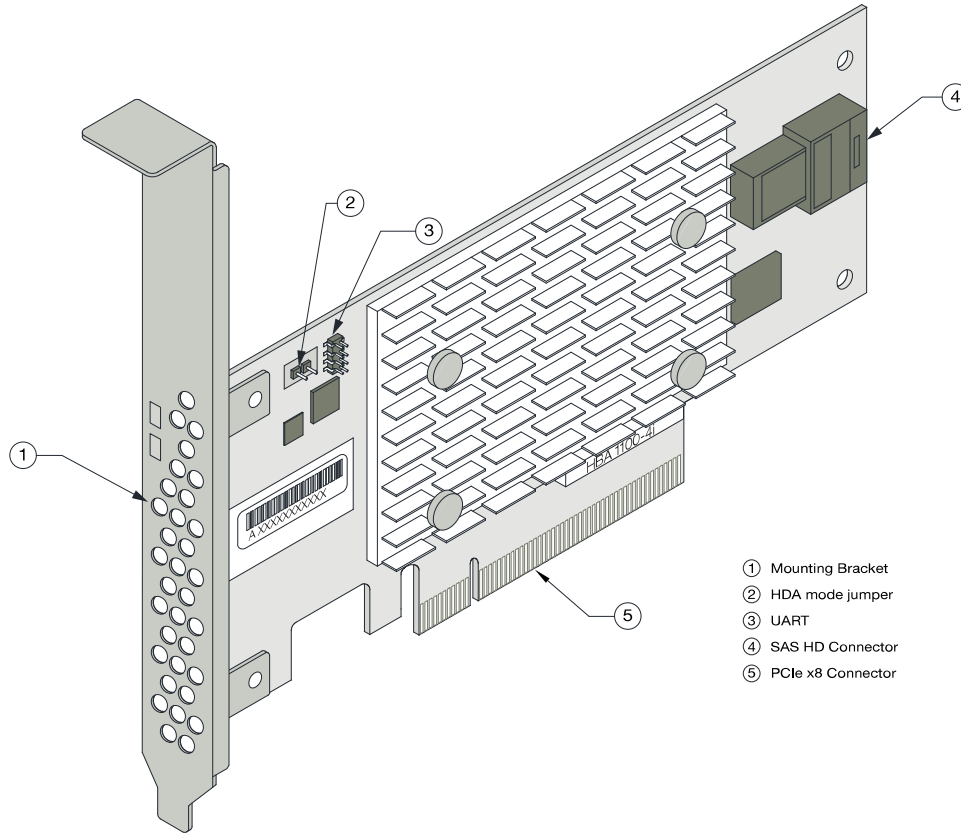


Form Factor	PCIe Low-profile MD2
Bus compatibility	PCIe 3.0
PCIe bus width	x8
Data transfer rate	12 Gb/s per port
Phys (Unified Serial Ports)	8
Standard memory	32 MB Boot Flash, 256 Kb SEEPROM, 128 KB MRAM
Connectors, internal	1x2 mini-SAS HD x8 (SFF-8643)
Maximum number of disk drives	8 direct-attached (or up to 256 with expanders)
Enclosure Support	SES 2.x/3.x inband support, TWI, IBPI and SGPIO
Thermal sensor	Inlet ambient temperature, ASIC die temperature, Top-side board ambient temperature, Bottom-side board ambient temperature

3.5 About the Microsemi Adaptec HBA 1100-4i

The Microsemi Adaptec HBA 1100-4i is a SAS Host Bus Adapter with these features:

Figure 3 • HBA 1100-4i Features



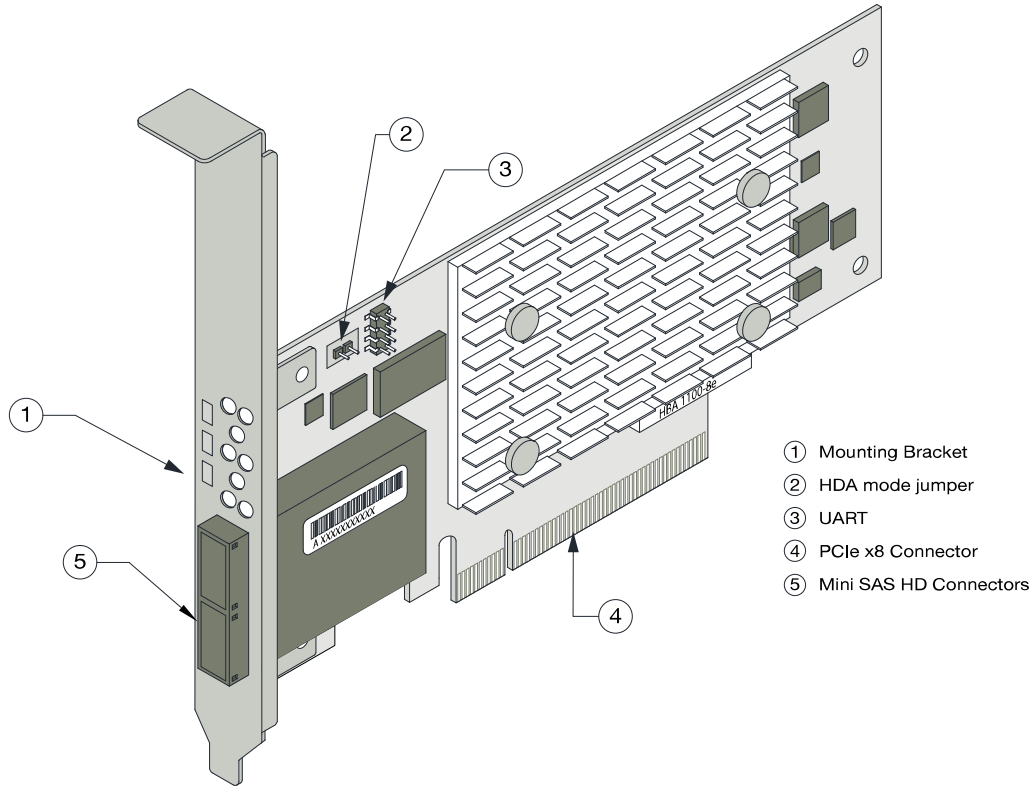
- ① Mounting Bracket
- ② HDA mode jumper
- ③ UART
- ④ SAS HD Connector
- ⑤ PCIe x8 Connector

Form Factor	PCIe Low-profile MD2 (Smaller than MD2)
Bus compatibility	PCIe 3.0
PCIe bus width	x8
Data transfer rate	12 Gb/s per port
Phys (Unified Serial Ports)	4
Standard memory	32 MB Boot Flash, 128 Kb SEEPROM, 128 KB MRAM
Connectors, internal	1x1 mini-SAS HD x4 (SFF-8643)
Maximum number of disk drives	4 direct-attached (or up to 256 with expanders)
Enclosure Support	SES 2.x/3.x inband support, TWI, IBPI and SGPIO
Thermal sensor	Inlet ambient temperature, ASIC die temperature, Top-side board ambient temperature, Bottom-side board ambient temperature

3.6 About the Microsemi Adaptec HBA 1100-8e

The Microsemi Adaptec HBA 1100-8e is a SAS Host Bus Adapter with these features:

Figure 4 • HBA 1100-8e Features

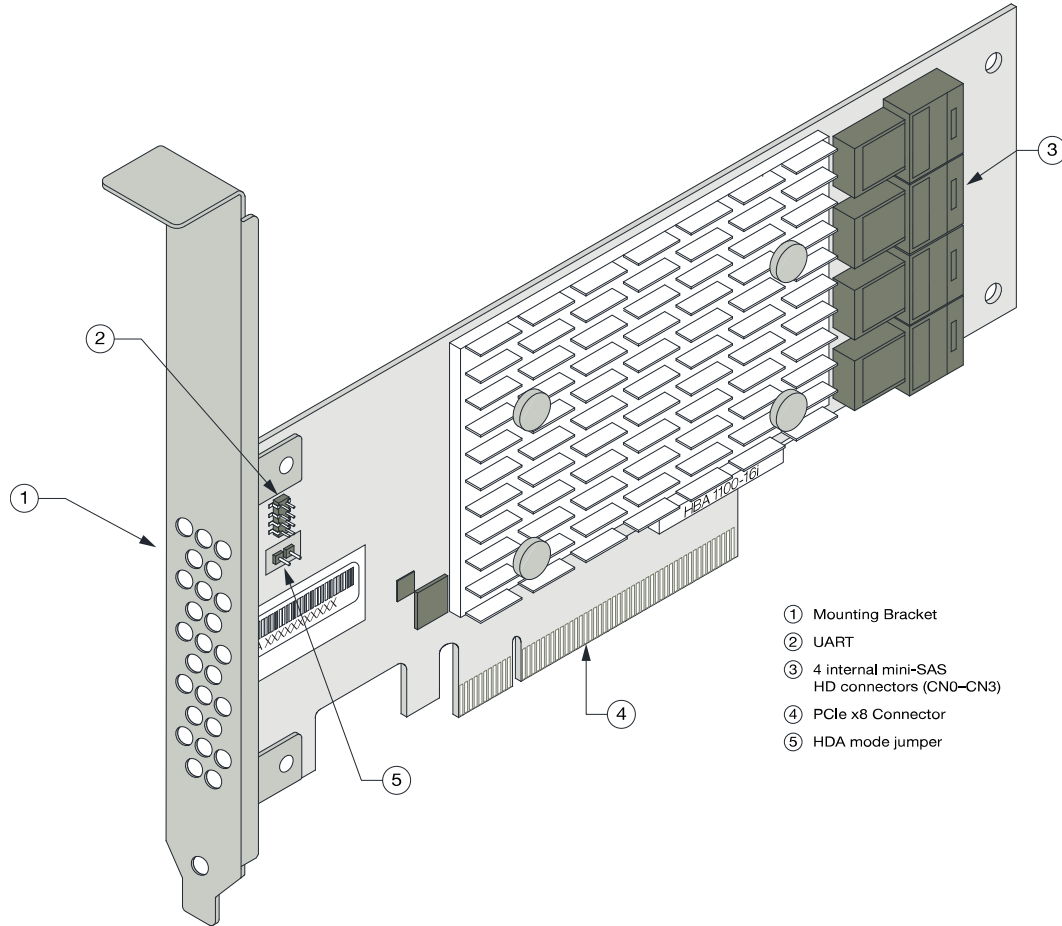


Form Factor	PCIe Low-profile MD2
Bus compatibility	PCIe 3.0
PCIe bus width	x8
Data transfer rate	12 Gb/s per port
Phys (Unified Serial Ports)	8
Standard memory	32 MB Boot Flash, 256 Kb SEEPROM, 1 Mbit MRAM
Connectors, external	1x2 mini-SAS HD x8 (SFF-8644)
Maximum number of disk drives	8 direct-attached (or up to 256 with expanders)
Enclosure Support	SES 2.x/3.x inband support, TWI, IBPI and SGPIO
Thermal sensor	Inlet ambient temperature, ASIC die temperature, Top-side board ambient temperature, Bottom-side board ambient temperature

3.7 About the Microsemi Adaptec HBA 1100-16i

The Microsemi Adaptec HBA 1100-16i is a SAS Host Bus Adapter with these features:

Figure 5 • HBA 1100-16i Features

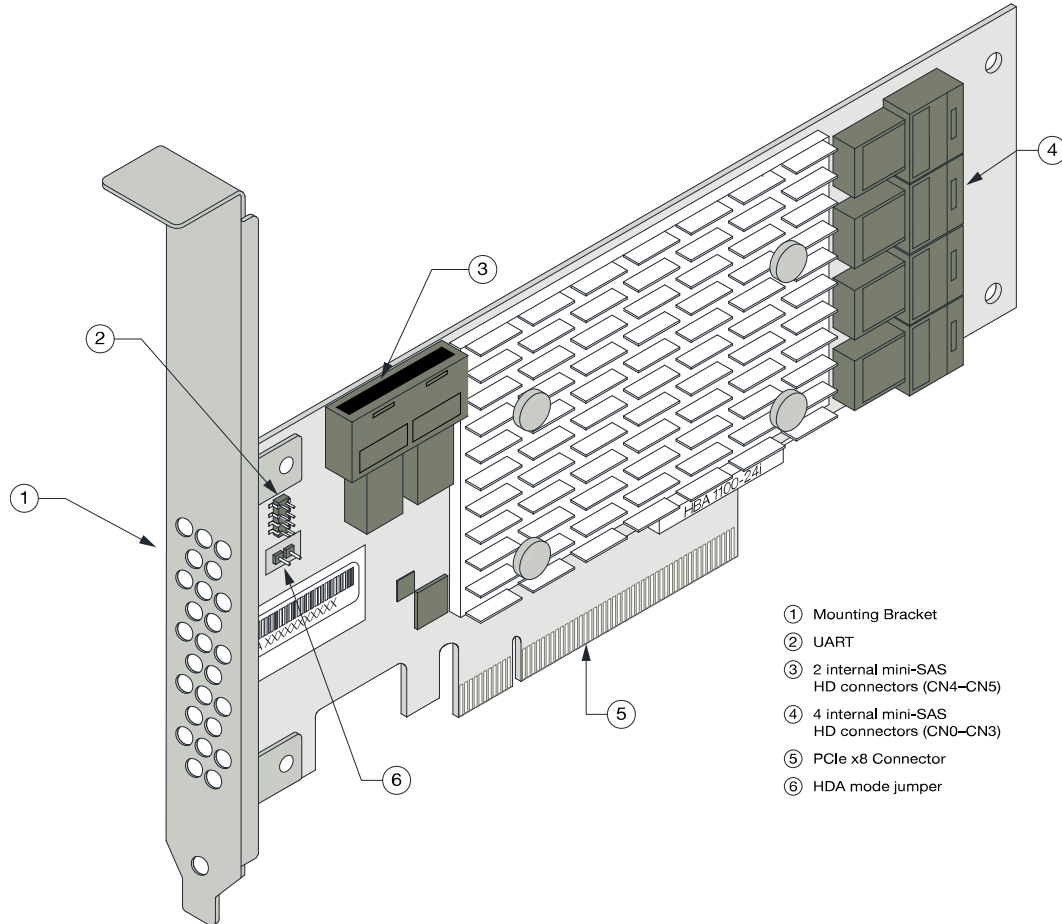


Form Factor	PCIe Low-profile MD2
Bus compatibility	PCIe 3.0
PCIe bus width	x8
Data transfer rate	12 Gb/s per port
Phys (Unified Serial Ports)	16
Standard memory	32 MB Boot Flash, 128 Kb SEEPROM, 128 KB MRAM
Connectors, internal	4 mini-SAS HD x4 (SFF-8643)
Maximum number of disk drives	16 direct-attached (or up to 256 with expanders)
Enclosure Support	SES 2.x/3.x inband support, TWI, IBPI and SGPIO
Thermal sensor	Ambient temperature, ASIC die temperature

3.8 About the Microsemi Adaptec HBA 1100-24i

The Microsemi Adaptec HBA 1100-24i is a SAS Host Bus Adapter with these features:

Figure 6 • HBA 1100-24i Features



Form Factor	PCIe Low-profile MD2
Bus compatibility	PCIe 3.0
PCIe bus width	x8
Data transfer rate	12 Gb/s per port
Phys (Unified Serial Ports)	24
Standard memory	32 MB Boot Flash, 128 Kb SEEPROM, 128 KB MRAM
Connectors, internal	6 mini-SAS HD x4 (SFF-8643)
Maximum number of disk drives	24 direct-attached (or up to 256 with expanders)
Enclosure Support	SES 2.x/3.x inband support, TWI, IBPI and SGPIO
Thermal sensor	Ambient temperature, ASIC die temperature

4 Installing the Controller and Disk Drives

This section explains how to install your HBA 1100 Series adapter in a computer cabinet or server and connect it to internal and external disk drives.

4.1 Before You Begin

- Read [Safety Information](#).
- Familiarize yourself with your HBA's physical features (see [Standard Features](#)).
- Ensure that you have the right number of disk drives for your application (see [Selecting Disk Drives and Cables](#)).

4.2 Selecting Disk Drives and Cables

4.2.1 Disk Drives

The HBA 1100 Series supports SAS and SATA disk drives, Solid State Drives (SSDs), and SAS tape drives.

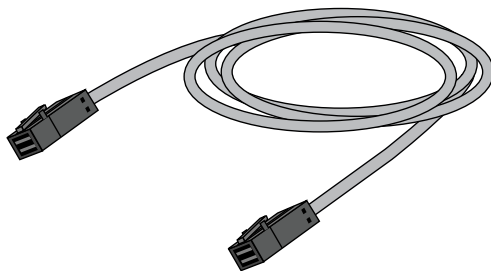
For more information about compatible disk drives, refer to **To be supplied**.

4.2.2 Cables

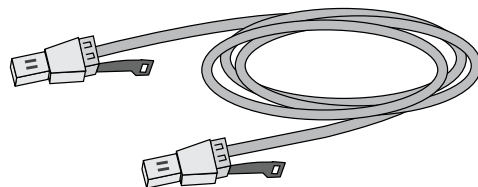
Depending on your HBA model and application requirements, you can use any of the cables listed below. For more information about cabling options for your HBA 1100 Series adapter, visit **To be supplied**.

Note: We recommend using Microsemi Adaptec SAS cables only.

SAS HD Cables



Internal Mini SAS HD to SAS HD (SFF-8643 to SFF-8643)—Connects to a backplane or enclosure.



External Mini SAS HD to SAS HD (SFF-8644 to SFF-8644)—Connects to a backplane or enclosure.

4.3 Installing the Host Bus Adapter

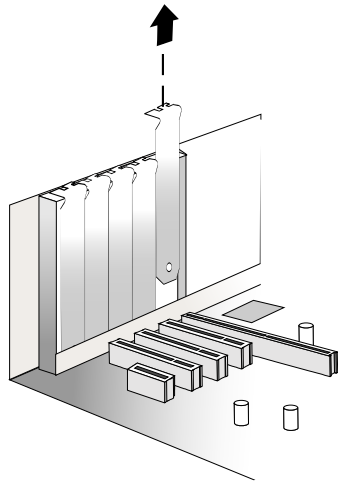
This section describes how to install the HBA 1100 Series adapter into your computer cabinet or server. HBA 1100 Series adapters have two configurations:

- Adapters with internal connectivity
- Adapters with external connectivity

Follow the steps below to install your HBA and connect internal or external storage devices.

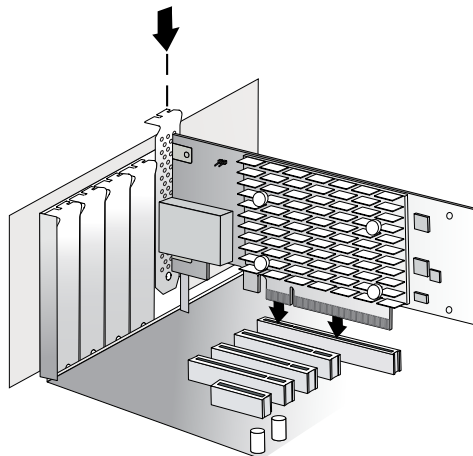
1. Turn off your computer and disconnect the power cord and any network cables. Open the cabinet, following the manufacturer's instructions.
2. Select an available PCIe expansion slot that's compatible with your HBA and remove the slot cover, as shown in the figure below. (To check PCIe bus compatibility of your HBA, see [About Your Host Bus Adapter](#).)

Caution: Touch a grounded metal object before handling the adapter.

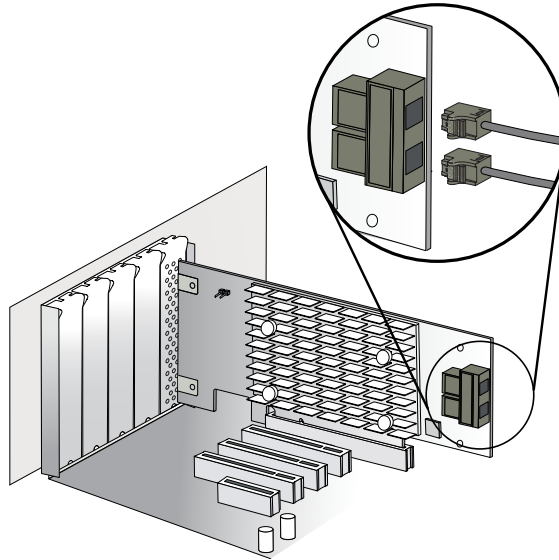


3. Insert the HBA into the expansion slot and press down gently but firmly until it clicks into place. When installed properly, the adapter should appear level with the expansion slot.

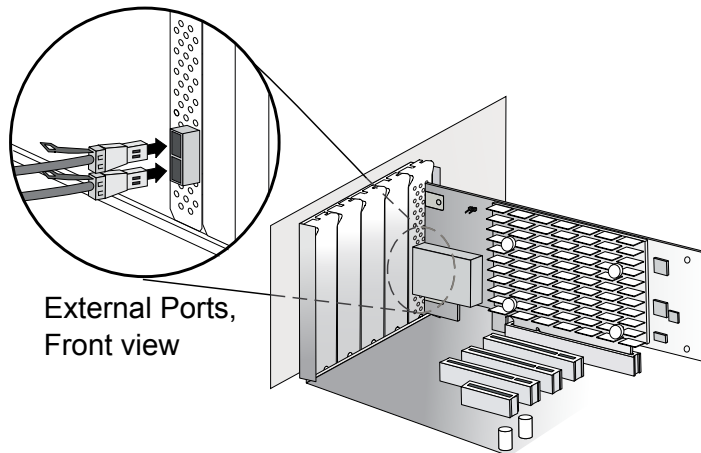
Caution: Be sure to handle the adapter by its bracket or edges only. Apply pressure only on the edges when inserting the card into expansion slot.



4. Secure the bracket in the expansion slot, using the retention device (for instance, a screw or lever) supplied with your computer.
5. Connect mini-SAS HD cables between the HBA and internal or external storage devices.
 - For a HBA with internal ports, connect mini-SAS HD cables between the HBA and internal disk drives or enclosures.



- For a HBA with with external ports, connect mini-SAS HD cables between the HBA and external disk drives or enclosures.



6. Close your computer cabinet, reconnect the power cord and network cables, then power up the system.

5 Installing the Driver and an Operating System

This chapter explains how to install the Microsemi SmartPQI controller driver and an operating system on a bootable volume. It assumes that the HBA 1100 Series adapter is installed in a computer or server.

Note:

- For information about building the SmartPQI drivers from source, see [Installing the SmartPQI Drivers from Source](#) on page 50.

5.1 Download the Driver Package

Complete these steps to download the drivers for your operating system(s):

1. Open a browser window, then type start.microsemi.com in the address bar.
2. Enter your product or adapter model number, then select HBA 1100.
3. Select your operating system version, for instance, Microsoft Windows Server 2016 x64 or Red Hat Enterprise Linux 7; then select the appropriate driver from the list.
4. Download the controller driver package (zip file archive).
5. When the download completes, extract the package contents to a temporary location on your machine. Each driver is stored in a separate folder (\windows 2016, \rhel7, \rhel6, and so on).

Note: See the *Release Notes* for a complete list of available driver files.

5.2 Creating a Driver Disk

Create a driver disk by completing the steps below. You will need a USB flash drive to complete this task.

Note: For VMware, see [Installing with VMware](#) on page 34.

1. Change to the driver directory for your operating system version.
2. Write the driver binary file to a USB flash drive.

For example, if the USB drive is `/dev/sdc` on the Linux system, type (where `##.##-###` is the build number):

Options	Description
RHEL 7	<code>dd if=smartpqi-##.##-###.rhel7u2.x86_64.dd of=/dev/sdc</code>
SLES 12	<code>dd if=smartpqi-##.##-###.sles12sp1.x86_64.dd of=/dev/sdc</code>
Ubuntu	<code>dd if=smartpqi-##.##-###_ubuntu16.04_x86_64.img of=/dev/sdc</code>
Oracle Linux 7	<code>dd if=smartpqi-##.##-###.ol7u2.x86_64.dd of=/dev/sdc</code>
Debian Linux	<code>dd if=smartpqi-##.##-###_debian8.8_x86_64-Boot.tgz of=/dev/sdc</code>

Note: See the Release Notes for the latest build number.

3. Remove and label the driver disk.
4. Continue the installation with the instructions for your operating system.

5.3 Installing with Windows

Note: Use the following procedure for all supported Windows versions. You will need your Windows Installation DVD (or equivalent virtual media/iso image) to complete this task.

To install the controller SmartPQI driver while installing Windows:

1. Insert the Windows installation DVD, then restart the computer.
2. Follow the on-screen instructions to begin the Windows installation.
3. When prompted to specify a location for Windows, select **Load Driver**.
4. Insert the USB driver disk, browse to the driver location, then click **Ok**.
5. When prompted to select the driver to install, click **Next**.
6. Click **Next** again to accept the default partition configuration.
7. Follow the on-screen instructions to complete the installation.

5.4 Installing with Red Hat Linux or CentOS

To install the controller SmartPQI driver while installing Red Hat Linux or CentOS, follow the steps in the sections below.

RHEL7 Update 3 Installation and Above

To install the RHEL7 Update 3 driver with a Linux system:

1. Install the Linux system using the inbox smartpqi driver.
2. After the installation completes, install the latest smartpqi driver rpm by using the following command (where `##.#-###` is the build number):

```
rpm -ivh kmod-smartpqi-##.#-###.rhel7u3.x86_64.rpm
```

RHEL7 Installation

Note: The following steps apply to all updates of RHEL 7 prior to Update 3. The example illustrated here represents the steps for Update 2. Modify the filename of the installation archive to match the appropriate update version in the appropriate fields.

To install the RHEL7 driver with a Linux system:

1. Copy the RHEL driver binary image to the USB key; see [Creating a Driver Disk](#) on page 24.
2. Power-on the system.
3. Insert the RHEL7 DVD image from a media source.
4. Boot the RHEL installation.
5. Type "e" to edit the grub entry and append "modprobe.blacklist=aacraid inst.dd".
Note: This will cause the line to wrap. The editor adds the "\n" automatically.
6. Insert the USB device, then type **CTRL+X** to boot.
Note: If the installer does not display the driver update media, type "r" and Enter on your keyboard to refresh the list.
 - a. Select the device in the list with the label "OEMDRV":
The installer presents a driver (smartpqi rpm) to install.
 - b. Type "1" on your keyboard and **Enter** to select the driver update.
 - c. Type "c" and **Enter** to continue.
Note: It is recommended to remove the USB device once the driver update has been extracted, for example:
 DD: Extracting files....

RHEL6 Update 9 Installation and Above

To install the RHEL6 Update 9 driver with a Linux system:

1. Install the Linux system using the inbox smartpqi driver.
2. After the installation completes, install the latest smartpqi driver rpm by using the following command (where #.#.#-### is the build number):


```
rpm -ivh smartpqi-kmp-default-#.#.#-###.rehl6u9.x86_64.rpm
```

RHEL6 Installation

To install the RHEL6 driver with a Linux system:

1. Copy the RHEL driver binary image to the USB key; see [Creating a Driver Disk](#) on page 24.
2. Power-on the system.
3. Insert the RHEL6 DVD image from a media source.
4. Boot the RHEL installation.
5. Press the **Esc** key when a grub entry appears with a countdown.
6. Type "e" to edit the grub entry
7. Type "e" again and append "blacklist=aacraid dd".
8. Press the **Enter** key and type "b".
9. Select **Yes** to specify that the driver disk is available.
10. Select the `sd` device.

Note: The device name of the driver update disk may vary.
11. Select **No** when the "More Driver Disks?" dialog appears.

Note: It is recommended to remove the USB device at this step.
12. Proceed with the normal installation.

5.5 Installing with SuSE Linux Enterprise Server

To install the controller SmartPQI driver while installing SuSE Linux, follow the steps in the sections below.

Installing with SLES 12 SP2 and Above

Follow these steps to install the driver while installing SLES 12 SP2:

1. Install the Linux system using the inbox smartpqi driver.
2. After the installation completes, install the latest smartpqi driver rpm by using the following command (where #.#.#-### is the build number):

```
rpm -ivh smartpqi-ueficert-#.#.#-###.sles12sp2.x86_64.rpm
rpm -ivh smartpqi-kmp-default-#.#.#-###.sles12sp2.x86_64.rpm
```

Installing with SLES 12

Follow these steps to install the driver while installing SLES 12:

1. Copy the SLES driver binary image to the USB key; see [Creating a Driver Disk](#) on page 24.
2. Power-on the system.

3. Insert the SLES 12 DVD image from a media source.
4. Boot the SLES installation.
5. Type "e" to edit the grub entry when the SLES installation menu is displayed and append "broken_modules=aacraid driverupdate=1".
6. Insert the USB device and type **CTRL+X** to boot.
The installation of the driver will start automatically.
7. Make sure that the controller is listed in the "**Please choose the Driver Update medium**" dialog box.
Note: If you do not see the controller, a driver installation error occurred. This can happen if the driver was built against a different kernel version of the OS than the installed media.
Note: It is recommended to remove the driver update USB device.
8. Click **Back** and continue with the normal installation procedure.

Installing with SLES 11

Follow these steps to install the driver while installing SLES 11:

1. Copy the SLES driver binary image to the USB key; see [Creating a Driver Disk](#) on page 24.
2. Power-on the system.
3. Insert the SLES 11 DVD image from a media source.
4. Boot the SLES installation.
5. Type "e" to edit the grub entry and append "broken_modules=aacraid driverupdate=1".
6. Insert the USB device and type **CTRL+X** to boot.
The installation of the driver will start automatically.
7. Make sure that the controller is listed in the "**Please choose the Driver Update medium**" dialog box.
Note: If you do not see the controller, a driver installation error occurred. This can happen if the driver was built against a different kernel version of the OS than the installed media.
Note: It is recommended to remove the driver update USB device.
8. Click **Back** and continue with the normal installation procedure.

5.6 Installing with Oracle Linux

To install the controller SmartPQI driver while installing Oracle Linux, follow the steps in the sections below.

Installing with Oracle Linux 7.3 and Above

Note:

1. The Oracle Linux 7.3 base kernel includes a smartpqi driver. The UEK kernel does not.
2. If using the UEK boot ISO for installation, you will need to use the driver update process described in the Oracle Linux 7.2 installation section.

Follow these steps to install the driver while installing Oracle Linux 7.3:

1. Install the Linux system using the `inbox smartpqi` driver.
2. On reboot, select the Oracle Linux 7.3 base kernel from the grub menu to boot. Grub will attempt to default to the UEK kernel.
3. After the installation completes, install the latest smartpqi driver rpm for the kernel you intend to run (where `##-###` is the build number):

```
Base Kernel: rpm -ivh kmod-smartpqi-#.##-###.017u3.x86_64.rpm
```

```
UEK Kernel: rpm -ivh kmod-smartpqi-uek-#.##-###.017u3.x86_64.rpm
```

Installing with Oracle Linux 7.2

Follow these steps to install the driver while installing Oracle Linux 7.2:

1. Copy the Oracle Linux driver binary image to the USB key; see [Creating a Driver Disk](#) on page 24.
2. Power-on the system.
3. Insert the Oracle Linux 7 DVD image from a media source.
4. Boot the Oracle installation.
5. Type "e" to edit the grub entry when the Oracle Linux installation menu is displayed and append "modprobe.blacklist=aacraid inst.dd".
6. Insert the USB device, then type **CTRL+X** to boot.
The installation of the driver will start automatically.
7. Complete the following steps:
 - a. Select the device in the list with the label "OEMDRV".
The installer will present a driver (smartpqi rpm) to install.
 - b. Type "1" on your keyboard, then press **Enter** to select the driver update.
 - c. Type "c", then press **Enter** to continue.
Note: We recommend that you remove the USB device once you see that the driver update has been extracted; for example: "DD: Extracting files...".
 - d. Click **Continue** and follow the prompts for a normal install.
Note: The driver update will install the smartpqi driver for the Oracle Linux 7.2 base kernel only.
8. On reboot, select the Oracle Linux 7.2 base kernel from the grub menu to boot. Grub will attempt to default to the UEK kernel.
9. After the installation completes, install the latest smartpqi driver rpm for the UEK kernel (where #.#-### is the build number):

```
UEK Kernel: rpm -ivh kmod-smartpqi-uek-#.##-###.017u2.x86_64.rpm
```

5.7 Installing with Ubuntu Linux

To install the controller SmartPQI driver while installing Ubuntu Linux:

1. Copy the Ubuntu driver binary image to the USB key; see [Creating a Driver Disk](#) on page 24.
2. Power-on the system.
3. Insert the Ubuntu CD/DVD image from a media source.
4. Boot the Ubuntu installation.
5. Type "e" to edit the grub entry when the Ubuntu installation menu is displayed.
6. Append "modprobe.blacklist=aacraid" after the "--" on the line starting with "Linux".
7. Insert the USB device, then type **CTRL+X** to boot.
The driver installation will start automatically.
8. When the installer presents a dialog regarding detection of a virtual driver disk, select **yes**. Then proceed with standard installation process.

Note: It is recommended to remove the driver update USB device when the installer reaches the “Configure the network” screen.

9. At the **"Finish the installation/Installation complete"** screen, from a back terminal blacklist the aacraid driver before rebooting using the following steps:

- a. Press Alt + F2.

- b. Type the following commands:

```
chroot /target
echo "blacklist aacraid" > /etc/modprobe.d/install-aacraid.conf
depmod `uname -r`
update-initramfs -u
exit
```

- c. Press **Alt + F1** to return to the installation screen.

10. Press **Continue** to reboot the system.

11. Install the smartpqi DKMS package (smartpqi-dkms_#. #. #-###_all.deb) by using the following commands (where #.#.#-### is the build number):

Note: The smartpqi DKMS package rebuilds the smartpqi driver automatically any time the kernel on the system is updated. This insures you have a smartpqi driver to support the new kernel.

```
apt-get update
apt-get -f install build-essential dkms
dpkg -i smartpqi-dkms_#. #. #-###_all.deb
```

5.8 Installing with Debian Linux

To install the controller SmartPQI driver while installing Debian Linux:

1. Copy the Debian driver binary image (smartpqi.ko) to the USB key; see [Creating a Driver Disk](#) on page 24.
2. Boot the Debian installation from the DVD or media source.
3. Type "e" to edit the boot entry when the Debian installation menu is displayed.
4. Append "modprobe.blacklist=aacraid" after the "--" on the line starting with "Linux".
5. Type **CTRL+X** to boot.
6. Proceed with standard installation process until the installer reaches the “Configure the network” screen.
7. Press **CTRL+ALT+F2**.
8. Insert the Debian driver USB key.
9. Assuming the USB drive is assigned to /dev/sda1, type the following commands to begin loading the driver:

Note: Type `fdisk -l` to determine the USB device assignment.

```
mkdir /SMARTPQI
mount -t vfat /dev/sda1 /mnt
cp -R /mnt/* /SMARTPQI
umount /mnt
```

10. Remove the Debian driver USB key.

11. Copy the driver to /lib/modules and load driver module:

Note: The following steps assume you are installing Debian 8.8 64-bit, using kernel 3.16.0-4.

```
mkdir -p /lib/modules/3.16.0-4-amd64/kernel/drivers/scsi/smartpqi
cp -f /SMARTPQI/smartpqi.ko
/lib/modules/3.16.0-4-amd64/kernel/drivers/scsi/smartpqi/smartpqi.ko
depmod -a `uname -r`
modprobe smartpqi
```

12. To return to the graphical install, press CTRL+ALT+F5; to return to a non-graphical install, press ALT+F1.

Note: Do not press Continue at the end of the installation until you complete Step [13] and Step [14].

13. When prompted to reboot the system, press CTRL+ALT+F2 to switch to the console.

14. Type the following commands to complete the driver installation:

```
mkdir -p /target/lib/modules/3.16.0-4-amd64/kernel/drivers/scsi/smartpqi
cp -f /SMARTPQI/smartpqi.ko
/target/lib/modules/3.16.0-4-amd64/kernel/drivers/scsi/smartpqi/smartpqi.ko
chroot /target
depmod -a `uname -r`
echo "blacklist aacraid" > /etc/modprobe.d/aacraid-blacklist.conf
update-initramfs -u -v
exit
```

15. To return to a graphical install, press CTRL+ALT+F5; to return to a non-graphical install, press ALT+F1.

16. Reboot the system.

17. Install the smartpqi DKMS package (smartpqi-dkms_#. #. #-###_all.deb) by using the following commands (where #.#.#-### is the build number):

Note: The smartpqi DKMS package rebuilds and activates the smartpqi driver automatically any time the kernel on the system is updated. This insures you have a smartpqi driver to support the new kernel.

```
apt-get install build-essential dkms
dpkg -i smartpqi-dkms_#. #. #-###_all.deb
```

5.9 Installing with FreeBSD

To install the controller SmartPQI driver while installing FreeBSD:

**1. Copy the driver module (smartpqi.ko) to a USB drive.
Disk partition the USB key, using gpart on a unix system.**

For example:

```
# gpart create -s GPT dal
# gpart add -t freebsd-ufs dal
# newfs /dev/dalp1
# mount /dev/dalp1 /mnt
# cp smartpqi.ko /mnt
```

2. Insert the USB driver disk.

3. Insert the FreeBSD Installation disk into the CD/DVD drive and boot from it.

4. From the FreeBSD boot menu, press Escape to launch the boot loader prompt.

5. Perform the following steps at the boot loader prompt:

a. Check all the present modules by executing following command.

```
# lsmod
```

Expected Output: It will show all the present modules.

- b.** Unload the kernel module by executing the following command:

```
# unload
```

- c.** Check whether the kernel is unloaded or not by executing the following command:

```
# lsmod
```

Expected Output: It will show all the present modules.

- d.** Check whether the USB drive is detected or not by executing the following command:

```
# lsdev
```

Expected Output:

```
part 0: ..... (removable)
```

```
part 1: ..... (removable)
```

```
part 2: ..... (removable)
```

- e.** Load the kernel by executing the following command:

```
# load /boot/kernel/kernel
```

- f.** Load the driver module by executing the following command:

```
# load part< USB key location >:smartpqi.ko
```

For example: # load part2:smartpqi.ko

- g.** Continue the Installation procedure by typing the following command and pressing **Enter**.

```
# boot
```

- h.** After completing the kernel installation and before rebooting the system, add the driver to the new system. Choose "YES" when it prompts the following message for the manual configuration.
"The installation is now finished. Before exiting the installer, would you like to open a shell in the new system to make any final manual modifications?"

- i.** Use the following commands to complete the manual configuration:

- a.** Mount the USB key by using the following command:

```
# mount /dev/dalpl /media
```

- b.** Copy the driver to the boot directory by using the following command:

```
# cp /media/smartpqi.ko /boot/modules/smartpqi.ko
```

- c.** Ensure that the boot loader loads by using the following command:

```
# vi /boot/loader.conf
```

- d.** Add the following line:

```
smartpqi_load="YES"
# reboot
```

- 6.** If the system halts at # `mountroot>`, check for the boot partition using the following command:

```
# mountroot> ?
```

Note: The boot partition is primarily present in P2, so use the following command:

```
# mountroot> ufs:/dev/<da0p2>
```

5.10 Installing with Solaris

To install the controller SmartPQI driver while installing Solaris, follow the steps in the sections below.

5.10.1 Installing with Solaris Live Media

To install the SmartPQI controller driver with Solaris Live Media:

1. Copy the `smartpqi.pkg` or `iso` file and `adddriver.sh` file to a USB flash drive and insert that drive into the installation system (see [Creating a Driver Disk](#) on page 24).
2. Boot to the Solaris 11 live media DVD in the installation system. Select the Solaris version and press **Enter**.
3. Select the keyboard (default is 27) and language (default is 3).
4. Enter your login credentials.
The GUI will appear.
5. Open the terminal and switch to the root user by using the following command:

```
# su
```

Use "solaris" as the root password.

6. Microsemi controllers are claimed with the inbox aac driver so, it is necessary to remove the driver. Use the following command to remove the inbox aac driver:

```
# rem_drv aac
```

7. Open the "Device driver utility" from the desktop and enter the root password.
8. The DD utility scans and automatically highlights the controller or devices that are not claimed by the driver.
9. Click **Browse** to load the driver image from the USB flash drive.
10. Select `smartpqi.pkg` or `iso` file and click "OK".
11. Click **Install**.
The **Installation Successful** message gets displayed.
12. The DD utility rescans the devices.
13. The available disks are viewable in the terminal by typing the `format` command. Press **Ctrl+C** to return to the command prompt.
14. Return to the desktop by typing `exit` at the `~#` prompt.
15. Double click the **Install Oracle Solaris** icon for OS installation and follow the steps to complete the OS installation.

Note: After the OS is installed, perform following procedure:

1. Open the terminal and copy the `adddriver.sh` file to `/tmp` directory.

```
# cp /media/USB_DRIVE/adddriver.sh /tmp/  
# cd /tmp
```


- Execute the `adddriver.sh` script file with the parameter `live` as follows:

```
# chmod +x adddriver.sh
# ./adddriver.sh live
```

- Reboot the system using the following command:

```
# reboot
```

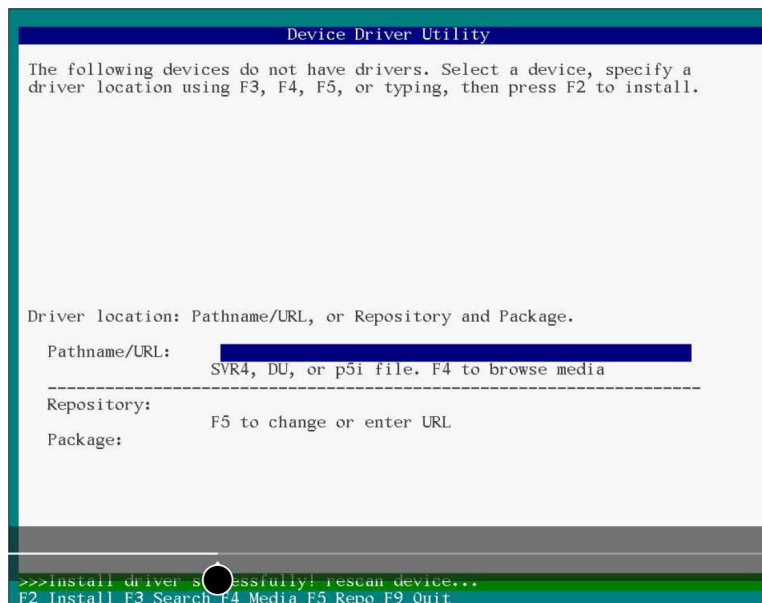
5.10.2 Installing with Solaris Text Installer

To install the SmartPQI driver with Solaris Text Installer:

- Copy the `smartpqi.pkg` or `iso` file and `adddriver.sh` files to a USB flash drive and plug that drive into the installation system (see [Creating a Driver Disk](#) on page 24).
- Boot to the Solaris 11.3 text installer DVD in the installation system, and select the keyboard and language.
- After the DVD boots, select option 3 (**Shell**) from the list.
- Remove the inbox `aac` driver and exit the shell using the following commands:

```
#rem_drv aac
#exit
```

- Select option 2 (**Install Additional Drivers**) from the list. The **Device Driver Utility** screen appears.
- Press the **F4** key (**Media**) to search for the driver image file on your flash drive.
- Select **USB drive** and press **Enter**.
- Find the location of the `smartpqi.pkg` or `iso` file on the flash drive, highlight it, and press the **F2** key to select it.
- Press the **F2** key again to install the driver.
- If the installation succeeds, the following screen will appear:



- Press the **F9** key to exit to the **Options** menu.

12. Select option 3 (**Shell**) from the list.
13. Type the format command in the terminal window to list the available disks. Press **Ctrl+C** to return to the command prompt.
14. Type **exit** at the `~#` prompt to go back to the **Options** menu.
15. Enter option 1 to **Install Oracle Solaris**.
The **Welcome to Oracle Solaris** screen appears.
16. Press the **F2** key to continue.
17. Select the disk discovery method and press the **F2** key to continue.
18. Follow installation steps accordingly.
19. At the installation summary, press the **F2** key to install the Oracle package; or, press the **F3** key to go back to make changes.
20. After the OS has been installed, press **F9** to go back to the Options menu.
21. Select Option 3 (**Shell**).
22. Open the terminal and copy the `adddriver.sh` file to `/tmp` directory using the following commands:


```
# cp /media/USB_DRIVE/adddriver.sh /tmp/
# cd /tmp
```
23. In the terminal, execute the `adddriver.sh` script file with the parameter text as follows:


```
# chmod +x adddriver.sh
# ./adddriver.sh text
```
24. Reboot the system using the following command:


```
#reboot
```

5.11 Installing with Citrix XenServer

Note: For XenServer 7.1 and later, a USB key is supported for the driver update ISO. On a Linux system, use the `dd` command to write the SmartPQI driver ISO image to the USB key (see [Creating a Driver Disk](#) on page 24). You need the XenServer installation DVD (or equivalent virtual media/iso image) to complete this task. You must have administrator privilege to install the driver image.

To install the controller SmartPQI driver while installing Citrix XenServer:

1. On the machine where you want to install the OS and SmartPQI driver, insert the XenServer installation DVD, then restart your computer.
2. When prompted to add a driver, insert the driver USB key, press **F9**, then select **local media**.
Note: Leave the driver USB key inserted throughout the installation.
3. Verify the SmartPQI driver and “**use**”.
4. Continue the XenServer installation, following the on-screen instructions.
5. Remove the driver USB key, then reboot your computer.

5.12 Installing with VMware

Note: You will need a writable CD or USB flash drive to complete this task. You must have administrator privileges to create the driver disk and install the driver image.

To install the controller SmartPQI driver with VMware ESXi 6.0 or VMware ESXi 6.5, you must create a custom boot image using the ESXi-Customizer tool. This tool automates the process of customizing the ESXi install-ISO and runs as a script under Microsoft PowerShell.

You can download the ESXi-Customizer tool, `ESXi-Customizer-PS-v2.5.ps1`, from <https://www.v-front.de/p/esxi-customizer-ps.html> and other locations on the Web.

Note: Be sure to install the prerequisite software first, including Powershell and VMware POWERCLI, before you install ESXi-Customizer.

To install the SmartPQI controller driver while installing VMware:

1. Download and install Microsoft PowerShell and VMware POWERCLI, as needed. You can download PowerShell from the Microsoft Download Center at www.microsoft.com/download, and POWERCLI from my.vmware.com.

Note: PowerShell is pre-installed on many Windows systems, including Windows Server 2012 and Windows Server 2016.

2. Download the ESXi-Customizer tool from <https://www.v-front.de/p/esxi-customizer-ps.html> or other Web location. Then, unpack the archive to a local directory on your Windows system; `C:\ESXi-Customizer`, for instance.
3. Copy the VMware driver vib for your OS version to a temp directory, such as `C:\temp\pkg`. The driver vib files (listed below, where xxxxxx is the driver version number) should be in the driver download directory on your Windows system (see [Creating a Driver Disk](#) on page 24).

Options	Description
ESXi 6.5	<code>smartpqi-1.0.0.1044-1OEM.650.0.0.xxxxxx.x86_64.vib</code>
ESXi 6.0	<code>smartpqi-1.0.0.1044-1OEM.600.0.0.xxxxxx.x86_64.vib</code>

4. Run ESXi-Customizer from the installation directory:

```
C:\ESXi-Customizer>ESXi-Customizer.cmd
```

5. In PowerShell, enter the following command:

```
.\ESXi-Customizer-PS-v2.5.ps1 -Vxx -pkgDir C:\temp\pkg
```

where `Vxx` is the VMware OS version: `v60` for VMware 6.0, `v65` for VMware 6.5.

PowerShell begins creating the custom ESXi install-ISO with embedded SmartPQI driver. It displays "All done" when the ISO is ready.

6. Burn the custom ISO image to a writable CD or USB drive.

Note: Use whatever tool you prefer to burn the CD or USB drive.

Remove the CD or USB drive after you finish burning the image.

7. On the VMware ESXi machine, insert the custom boot CD/USB, then restart your computer.
8. Follow the on-screen instructions to begin the VMware installation.
9. Complete the VMware installation, following the on-screen instructions.
10. Remove the custom boot CD or USB drive, then reboot your computer.

6 Installing the Driver on an Existing Operating System

This chapter explains how to install the Microsemi SmartPQI controller driver on an existing operating system. It assumes that the HBA 1100 Series adapter is installed in a computer or server and the OS is already installed.

Note:

- To install the driver while you're installing an operating system, see [Installing the Driver and an Operating System](#).
- For information about building the SmartPQI drivers from source, see [Installing the SmartPQI Drivers from Source](#) on page 50.

6.1 Download the Driver Package

Complete these steps to download the drivers for your operating system(s):

1. Open a browser window, then type start.microsemi.com in the address bar.
2. Enter your product or adapter model number, then select HBA 1100.
3. Select your operating system version, for instance, Microsoft Windows Server 2016 x64 or Red Hat Enterprise Linux 7; then select the appropriate driver from the list.
4. Download the controller driver package (zip file archive).
5. When the download completes, extract the package contents to a temporary location on your machine. Each driver is stored in a separate folder (\windows 2016, \rhel7, \rhel6, and so on).

Note: See the *Release Notes* for a complete list of available driver files.

6.2 Creating a Driver Disk

Create a driver disk by completing the steps below. You will need a USB flash drive to complete this task.

1. Change to the driver directory for your operating system version.
2. Write the driver binary file to a USB flash drive.
3. Remove and label the driver disk.
4. Continue the installation with the instructions for your operating system.

6.3 Installing on Windows

Note: The following instructions apply to all supported Windows operating systems.

To install the controller SmartPQI driver on Windows:

1. Start or restart Windows.
2. In the Control Panel, launch the Device Manager, right-click your Smart Storage Controller, then select **Update Driver Software**.
3. Insert the driver disk, then select **Browse my computer for driver software**.
4. Browse to the driver disk location, then click **Next**.
5. Select the driver from the list, then click **Next**.
6. Specify the device type as a **Storage controller** and click **Next**.
7. Select the device driver you want to install.
8. Navigate to the disk location where the driver files are copied.
9. When the installation is complete, remove the driver disk and restart your computer.

6.4 Installing on Red Hat or CentOS

To install the controller SmartPQI driver on Red Hat Linux or CentOS, follow the steps in the sections below.

Note: The inbox aacraid driver is available in many of the Linux distributions that include basic support for Microsemi Adaptec Smart Storage Controllers, like the HBA 1100 Series adapter. The preferred driver is `smartpqi`. The following instructions show how to blacklist the aacraid driver or replace it.

Installing on RHEL7 Update 3 and Above

Note: RHEL7 Update 3 includes a version of the `smartpqi` driver and an updated aacraid driver that does not support the Microsemi Adaptec HBA 1100 Series adapter.

To install the RHEL7 Update 3 driver on a Linux system:

1. Install the latest `smartpqi` driver rpm by using the following command (where `##.##-###` is the build number):

```
rpm -ivh kmod-smartpqi-##.##-###.rhel7u3.x86_64.rpm
```

Installing on RHEL 7

To install the RHEL7 driver on a Linux system:

1. Disable the aacraid support for the Smart Storage Controller using one of the following options:
 - **Using Blacklist Option:**
Type the following command:
`echo "blacklist aacraid" > /etc/modprobe.d/blacklist-aacraid.conf`
 - **Update aacraid driver to allow Series 8 / HBA 1000 Controllers and HBA 1100 Series adapter to coexist:**
 1. Install an aacraid rpm version 1.2.1-53005 or higher using one of the following links:
<https://storage.microsemi.com/en-us/support/series8/index.php>
<https://storage.microsemi.com/en-us/support/hba1000/index.php>
 2. Execute the following command:
`rpm -Uvh kmod-aacraid-RHEL7.2-1.2.1-53005.x86_64.rpm`

2. Install the latest `smartpqi` package by using the following command (where `##.##-###` is the build number):

```
rpm -ivh kmod-smartpqi-##.##-###.rhel7u3.x86_64.rpm
```

Note: This command automatically rebuilds the `initramfs` with the updates, and avoids rebuilding it manually.

Installing on RHEL6 Update 9 and Above

Note: RHEL6 Update 9 includes a version of the `smartpqi` driver and an updated aacraid driver that does not support the Microsemi Adaptec HBA 1100 Series adapter.

To install the RHEL6 Update 9 driver on a Linux system:

1. Install the latest `smartpqi` driver rpm by using the following command (where `##.##-###` is the build number):

```
rpm -ivh kmod-smartpqi-##.##-###.rhel6u9.x86_64.rpm
```

Installing on RHEL 6

To install the RHEL6 driver on a Linux system:

1. Disable the aacraid support for the Smart Storage Controller using one of the following options:
 - **Using Blacklist Option:**
Type the following command:
`echo "blacklist aacraid" > /etc/modprobe.d/blacklist-aacraid.conf`
 - **Update aacraid driver to allow Series 8 / HBA 1000 Controllers and HBA 1100 Series adapter to coexist:**
 1. Install an aacraid rpm version 1.2.1-53005 or higher using one of the following links:
<https://storage.microsemi.com/en-us/support/series8/index.php>
<https://storage.microsemi.com/en-us/support/hba1000/index.php>
 2. Execute the following command:
`rpm -Uvh kmod-aacraid-RHEL6.8-1.2.1-53005.x86_64.rpm`
2. Install the latest smartpqi package by using the following command (where #.#.#-### is the build number):
`rpm -ivh kmod-smartpqi-#.#.#-###.rhel6u8.x86_64.rpm`
Note: This command automatically rebuilds the initramfs with the updates, and avoids rebuilding it manually.

6.5 Installing on SuSE Linux Enterprise Server

To install the controller SmartPQI driver on SLES, follow the steps in the sections below.

Installing on SLES 12 SP2 and Above

Note: SLES 12 SP2 includes a version of the smartpqi driver and an updated aacraid driver that does not support the Microsemi Adaptec HBA 1100 Series adapter.

Follow these steps to install the driver on SLES 12 SP2:

1. Install the latest smartpqi driver rpm by using the following command (where #.#.#-### is the build number):
`rpm -ivh smartpqi-ueficert-#.#.#-###.sles12sp2.x86_64.rpm`
`rpm -ivh smartpqi-kmp-default-#.#.#-###.sles12sp2.x86_64.rpm`

Installing on SLES 12

Follow these steps to install the driver on SLES 12:

1. Disable the aacraid support for the Smart Storage Controller by using one of the following options:
 - **Using Blacklist Option:**
Type `echo "blacklist aacraid" > /etc/modprobe.d/blacklist-aacraid.conf`
 - **Update aacraid driver to allow Series 8 / HBA 1000 Controllers and HBA 1100 Series adapter to coexist:**
 1. Install an aacraid rpm version 1.2.1-53005 or higher using one of the following links:
<https://storage.microsemi.com/en-us/support/series8/index.php>
<https://storage.microsemi.com/en-us/support/hba1000/index.php>
 2. Execute the following command:
`rpm -Uvh aacraid-kmp-default-SLES12-SP1-1.2.1-53005.x86_64.rpm`

2. Install the latest smartpqi package by using the following command (where `##.##-###` is the build number):

```
rpm -ivh smartpqi-ueficert-##.##-###.sles12sp1.x86_64.rpm
rpm -ivh smartpqi-kmp-default-##.##-###.sles12sp1.x86_64.rpm
```

3. Run “mkinitrd” command with the root user privilege to ensure that the blacklisting and driver updates are included.

Installing on SLES 11

Note: The example illustrated here represents the steps for SLES 11 SP3. Modify the filename of the installation archive to match the appropriate update version in the appropriate fields.

Follow these steps to install the driver on SLES 11:

1. Disable the aacraid support for the Smart Storage Controller by using one of the following options:

- **Using Blacklist Option:**

Type `echo "blacklist aacraid" > /etc/modprobe.d/blacklist-aacraid.conf`

- **Update aacraid driver to allow Series 8 / HBA 1000 Controllers and HBA 1100 Series adapter to coexist:**

1. Install an aacraid rpm version 1.2.1-53005 or higher using one of the following links:

<https://storage.microsemi.com/en-us/support/series8/index.php>

<https://storage.microsemi.com/en-us/support/hba1000/index.php>

2. Execute the following command:

```
rpm -Uvh aacraid-kmp-default-SLES11-SP3-1.2.1-53005.x86_64.rpm
```

2. Install the latest smartpqi package by using the following command (where `##.##-###` is the build number):

```
rpm -ivh smartpqi-ueficert-##.##-###.sles11sp3.x86_64.rpm
rpm -ivh smartpqi-kmp-default-##.##-###.sles11sp3.x86_64.rpm
```

3. Run “mkinitrd” command with the root user privilege to ensure that the blacklisting and driver updates are included.

6.6 Installing on Oracle Linux

To install the controller SmartPQI driver on Oracle Linux, follow the steps in the sections below.

Installing on Oracle Linux 7.3 and Above Running the Base Kernel

Note: The Oracle Linux 7.3 base kernel includes a smartpqi and an aacraid driver. The smartpqi driver is recommended.

To install the SmartPQI driver on an Oracle Linux system:

1. Install the smartpqi driver rpm by using the following command (where `##.##-###` is the build number):

```
rpm -ivh kmod-smartpqi-##.##-###.ol7u3.x86_64.rpm
```

Installing on Oracle Linux 7.2 running the Base or UEK Kernel and Oracle Linux 7.3 running the UEK Kernel

To install the SmartPQI driver on a Oracle Linux system:

1. Disable the aacraid support for the Smart Storage Controller using one of the following options:

- **Using Blacklist Option:**

Type the following command:

```
echo "blacklist aacraid" > /etc/modprobe.d/blacklist-aacraid.conf
```

- **Update aacraid driver to allow Series 8 / HBA 1000 Controllers and HBA 1100 Series adapter to coexist:**
 1. Install an aacraid rpm version 1.2.1-53005 or higher using one of the following links:
<https://storage.microsemi.com/en-us/support/series8/index.php>
<https://storage.microsemi.com/en-us/support/hba1000/index.php>
 2. Execute one of the following commands:
 For Base Kernel: `rpm -Uvh kmod-aacraid-OL7.2-1.2.1-53005.x86_64.rpm`
 For UEK Kernel: `rpm -Uvh kmod-aacraid-UEK-OL7.2-1.2.1-53005.x86_64.rpm`
- 2. Install the latest smartpqi package by using the following command (where `##-###` is the build number):
 For Base Kernel: `rpm -ivh kmod-smartpqi-uek-##-###.ol7u2.x86_64.rpm`
 For UEK Kernel: `rpm -ivh kmod-smartpqi-uek-##-###.ol7u2.x86_64.rpm`
Note: This command automatically rebuilds the initramfs with the updates, and avoids rebuilding it manually.

6.7 Installing on Ubuntu Linux

Note:

1. For driver installation on Ubuntu Linux, you may need to create the root account and password.
2. The SmartPQI driver is available as inbox for Ubuntu 16.04.3 Hardware Enablement kernel, and above.

To install the controller SmartPQI driver on Ubuntu:

1. Login to the system using the root user credentials.
2. Update the Ubuntu package index by using the following command:
`sudo apt-get update`
3. Load the Ubuntu unpacking tools:
`sudo apt-get -f install build-essential dkms`
4. Disable the aacraid support for the Smart Storage Controller by using one of the following options:
 - **Using Blacklist Option:**
 Type the following command:
`echo "blacklist aacraid" > /etc/modprobe.d/blacklist-aacraid.conf`
 - **Update aacraid driver to allow Series 8 / HBA 1000 Controllers and HBA 1100 Series adapter to coexist:**
 1. Install an aacraid DEB driver package version 1.2.1-53005 or higher using one of the following links:
<https://storage.microsemi.com/en-us/support/series8/index.php>
<https://storage.microsemi.com/en-us/support/hba1000/index.php>
 2. Execute the following command:
`dpkg -i aacraid -1.2.1-53005-Ubuntu16.04-x86_64.deb`
5. Install the latest SmartPQI DKMS DEB driver package by using the following command (where `##-###` is the build number):
`dpkg -i smartpqi-dkms-##-###_all.deb`

6.8 Installing on Debian Linux

To install the controller SmartPQI driver on Debian:

1. Login to the system as root, or sudo to root.
2. Disable aacraid support for the Smart Storage Controller to avoid conflict with the SmartPQI driver:

- **Using Blacklist Option:**

Type the following command:

```
echo "blacklist aacraid" > /etc/modprobe.d/blacklist-aacraid.conf
update-initramfs -u -v
```

3. Install the supporting package for the SmartPQI DKMS deb package:

```
apt-get update
apt-get install build-essential dkms
```

4. Install the SmartPQI DKMS DEB driver package using the following command (where #.#.#-### is the build number):

```
dpkg -i smartpqi-dkms_#.#.#-###_all.deb
```

5. Reboot system.

6.9 Installing on FreeBSD

To install the controller SmartPQI driver on FreeBSD:

1. Check whether the driver package is installed or not.

```
# pkg info | grep smartpqi
```

2. Install the SmartPQI package by using the following command:

```
# pkg add smartpqi10x-amd64.txz
```

Note: Upgrade the package if it already exists, using the following command.

```
# pkg upgrade smartpqi10x-amd64.txz
```

3. Restart the system.

```
# reboot
```

6.10 Installing on Solaris

To install the controller SmartPQI driver on Solaris, follow the steps in the sections below.

1. Remove the inbox aac driver, since the Microsemi Smart Storage Controller is claimed with the inbox aac driver.

```
#rem_drv aac
```

2. Extract the SmartPQI driver package from a .zip or .tar file.

3. Perform the following instructions to load the driver package.

- a. If "smartpqi.pkg" is present, execute the following command:

```
# pkgadd -d smartpqi.pkg
```

or,

- b. Ensure that the MSCsmartpqi folder is present in the current directory. The dot (.) in following the command will read this folder as a driver package:

```
# pkgadd -d .
```

In the terminal, the following messages will appear:

```
The following packages are available:
 1 MSCsmartpqi      Microsemi Smart PQI RAID Controller driver
                    (i386) 1.0.0-100,REV=2016.06.06.22.10
```

```
Select package(s) you wish to process (or 'all' to process
all packages). (default: all) [?,??,q]:
```

Enter **"1"** or **"all"**.

The following prompt will appear:

```
Do you want to continue with the installation of <MSCsmartpqi> [y,n,?]
```

Enter **"y"**.

The following message appears after a successful installation:

```
Installation of <MSCsmartpqi> was successful.
```

4. Reboot the system using the following command:

```
# reboot
```

5. Use the following command to confirm whether the driver is loaded or not:

```
# modinfo -c | grep smartpqi
```

6. Use the following command to identify the driver package information:

```
# pkginfo -l MSCsmartpqi
```

Removing the Driver Package

1. Remove the loaded driver package using the following command:

```
# pkgrm MSCsmartpqi
```

In the terminal, the following messages will appear:

```
The following package is currently installed:
  MSCsmartpqi  Microsemi Smart PQI RAID Controller driver
                (i386) 1.0.0-100,REV=2016.06.06.22.10
```

The following prompt will appear:

```
Do you want to remove this package? [y,n,?,q]
```

Enter **"y"**. Once the selection is made, the following prompt will appear:

```
Do you want to continue with the removal of this package [y,n,?,q]
```

Enter **"y"**. The following message will appear to signify the successful removal of the driver package:

```
Removal of <MSCsmartpqi> was successful
```

2. Reboot the system using the following command:

```
# reboot
```

6.11 Installing on Citrix XenServer

Note: To copy the driver RPM file to XenServer (in [Step 1](#) below), you must have access to a remote copy utility, such as WinSCP, putty, or Linux scp. You must have root privilege to install the driver.

To install the controller SmartPQI driver on Citrix XenServer (where `##.#-###` is the build #):

1. Using a remote copy utility, copy the driver RPM file to a local directory on XenServer. This example uses Linux scp to copy the driver to `/tmp/smartpqi`:

```
scp citrix-smartpqi-##.#-###.xen7.1.rpm root@<xen-server-ip>:/tmp/smartpqi
```

2. Install the driver module rpm:

```
rpm -ivh /tmp/smartpqi/citrix-smartpqi-##.#-###.xen7.1.rpm
```

3. Reboot your computer.

6.12 Installing on VMware

To install the controller SmartPQI driver on VMware:

1. Copy the driver from the following location: `/vmfs/volumes/datastore1/`

```
# cp /vmfs/volumes/datastore1/smartpqi-1.0.0.135-10EM.600.0.0.2768847.x86_64.vib
```

2. Install the driver package (.vib file).

```
# esxcli software vib install -v  
/vmfs/volumes/datastore1/smartpqi-1.0.0.135-10EM.600.0.0.2768847.x86_64.vib  
--no-sig-check
```

3. Restart the system.

```
# reboot
```

4. After rebooting the system, check whether the driver package is installed.

```
# esxcli software vib list
```

7 Solving Problems

This section provides basic troubleshooting information and solutions for solving problems with your HBA 1100 Series Host Bus Adapter.

7.1 Troubleshooting Checklist

If you encounter difficulties installing or using your HBA 1100 Series Host Bus Adapter, check these items first:

- With your computer powered off, check the connections to each disk drive, power supply, enclosure, and so on.
- Try disconnecting and reconnecting disk drives from the adapter.
- Check that your adapter is installed in a compatible PCIe expansion slot. To verify the bus compatibility of your adapter, see [About Your Host Bus Adapter](#).
- Ensure that your adapter is firmly seated and secured in the PCIe expansion slot.
- If your adapter is not detected during system boot, try installing it in a different compatible expansion slot. (See [Installing the Host Bus Adapter](#) for instructions.)
- Did the driver install correctly? It may need to be reloaded after a reboot or kernel update; see [Installing the Driver and an Operating System](#) on page 24.
- If you have external disk drives (or other devices), are they powered on?
- Check the Release Notes for compatibility issues and known problems.

If you are still unable to resolve a problem, contact Microsemi Support.

7.2 Resetting the Adapter

You may need to reset your HBA 1100 Series adapter if it becomes inoperable or if a firmware upgrade is unsuccessful. HBA 1100 Series adapters support a reset protocol called HDA mode flash. For information about HDA mode, contact your support representative. To locate the HDA mode jumper on your adapter, see the board illustrations in [About Your Host Bus Adapter](#).

A Using the Microsemi SAS/SATA Configuration Utility

The Microsemi SAS/SATA Configuration Utility (MSCU) is a BIOS-based utility that you can use to manage your HBA 1100 Series adapter and the devices attached to it. It comprises a set of tools for viewing and modifying adapter properties, viewing disk drive properties, and flashing the HBA firmware.

A.1 Running the Microsemi SAS/SATA Configuration Utility: Ctrl-A or UEFI/HII?

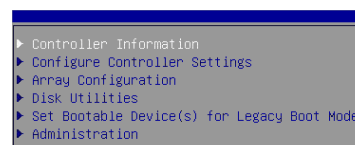
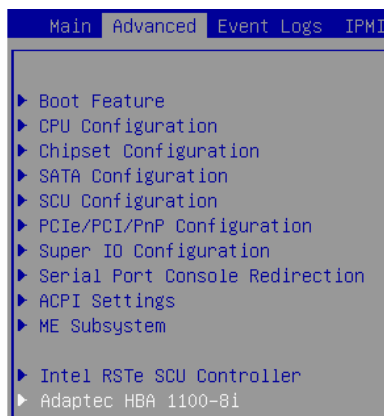
Your Microsemi HBA 1100 Series adapter supports two interfaces to the BIOS-level controller configuration options described in this section: Ctrl-A and UEFI/HII.

On servers that support the Unified Extensible Firmware Interface, or UEFI (version 2.10 or higher), the BIOS-level configuration options are presented with a UEFI/HII interface (Human Interaction Infrastructure), rather than Microsemi's legacy Ctrl-A interface. UEFI/HII provides an architecture-independent mechanism for initializing add-in cards, like the HBA 1100 Series adapter, and rendering contents to the screen in a uniform way.

To access the HBA 1100 Series adapter configuration options with the Ctrl-A interface, start or restart your computer. When prompted, press `Ctrl+A`, then select your controller from the list. The Ctrl-A main menu is displayed.



In the UEFI/HII interface, the server's standard BIOS provides access to the HBA 1100 Series adapter configuration options. How you access the BIOS varies, depending on the server manufacturer, but typically it's started by simply pressing `DEL`. Once you enter setup, navigate to the "Advanced" menu (below, left), then select your controller from the list. The UEFI/HII main menu is displayed (below, right).



From that point on, the UEFI/HII menus and the Ctrl-A menus for managing your controller are similar. For example, the Configure Controller Settings menu contains similar options for viewing and modifying controller properties (though the task flow differs); the Disk Utilities menu contains similar options for working with disk drives; and so on.

Note: The Administration menu is available only with the UEFI/HII interface. The Array Configuration menu is not supported on the HBA 1100 Series adapter.

In both interfaces, all the tools are menu-based and instructions for completing tasks appear on-screen. Menus can be navigated using the arrows, Enter, Esc, and other keys on your keyboard.

This appendix provides instructions for navigating and completing tasks with the UEFI/HII interface. To complete tasks with the Ctrl-A interface:

- Refer to the on-screen instructions for keyboard navigation and selection options.
- Refer to the option descriptions in this section for details about individual configuration settings.

A.2 Modifying HBA 1100 Series adapter Settings

For the HBA 1100 Series adapter, no options are available when you select **Modify Controller Settings** from the **Configure Controller Settings** menu.

A.3 BMC Settings

This option sets the PBSI I2C address and configuration to a hexadecimal value from 0xD0 to 0xFF.

To change the BMC settings for a controller:

1. Start the Microsemi SAS/SATA Configuration Utility in UEFI mode (see [Running the Microsemi SAS/SATA Configuration Utility: Ctrl-A or UEFI/HII?](#) on page 45).
2. Select your controller, then press `Enter`.
3. From the main menu, select **Configure Controller Settings**.
4. Select **BMC Settings**, then select **I2C Slave Address**.
5. Enter the PBSI I2C address, in hex, from 0xD0 to 0xFF.
6. Select **Submit Changes**.

A.4 Viewing Disk Drive Properties

Use the Disk utilities to view the disk drives on a controller and view disk drive properties.

To view disk drive properties:

1. Start the Microsemi SAS/SATA Configuration Utility in UEFI mode (see [Running the Microsemi SAS/SATA Configuration Utility: Ctrl-A or UEFI/HII?](#) on page 45).
2. Select your controller, then press `Enter`.
3. From the main menu, select **Disk Utilities**.
4. Use the arrow keys to select a disk drive.
5. Press `Esc` to return to the previous menu.

A.5 Device Information

The Device Information menu provides details about the device, such as the Model, Serial Number, and Device Type. To view the device information, start the Microsemi SAS/SATA Configuration Utility, select your controller, then press `Enter`. From the main menu, select **Disk Utilities**, select the disk drive, then press `Enter`.

A.6 Identifying a Disk Drive

You can use the disk utilities to physically locate and identify a disk drive by turning on its Identification LED.

To identify a disk drive:

1. Start the Microsemi SAS/SATA Configuration Utility in UEFI mode (see [Running the Microsemi SAS/SATA Configuration Utility: Ctrl-A or UEFI/HII?](#) on page 45).
2. Select your controller, then press `Enter`.
3. From the main menu, select **Disk Utilities**.
4. Select the disk drive you want to locate, then press `Enter`.
5. Select **Identify Device**, then enter a value into **Identification Duration (seconds)**. This value determines how long the LED on the device will remain on.
6. Select **Start**, then press `Enter`.
7. To turn off the Identification LED, press `Esc` to return to the previous menu, select **Stop** and press `Enter`.

A.7 Updating Drive Firmware

You can use the disk utilities to flash a hard drive with new firmware.

To update drive firmware:

1. Copy the firmware binary file to a USB flash drive, then connect the USB drive to the machine. Alternatively, copy the firmware binary to a known location on your machine.
2. Start the Microsemi SAS/SATA Configuration Utility in UEFI mode (see [Running the Microsemi SAS/SATA Configuration Utility: Ctrl-A or UEFI/HII?](#) on page 45).
3. Select your controller, then press `Enter`.
4. From the main menu, select **Disk Utilities**, then select **Update Drive Firmware**.
5. Select a disk drive, then enter the firmware update mode:

Options	Description
Mode 5	Download and Activate
Mode 7	Download in Multiple Transfers
Mode E	Download in Multiple Transfers but Do Not Activate
Mode E+F (HBA Mode only)	Download in Multiple Transfers and Activate
6. Enter the Transfer Size, in 512 byte-increments. The default transfer size is 32768 (32K) bytes. The maximum transfer size is 262144 (128K) bytes.

Note: Transfer Size is not applicable for Mode 5.
7. Select **Proceed**.
8. Select the storage device where the firmware binary file is located (the USB drive, for instance), navigate the folder hierarchy, then select the firmware binary file.

The firmware is sent to the hard drive.
9. When the update is complete, reboot the server.

A.8 Clearing RAID Meta-data

You can use the disk utilities to clear the RAID meta-data from any drive that is not part of a RAID array.

Note: This option is enabled only if the selected drive contains RAID meta-data. A drive may contain RAID meta-data even if it is not part of an array.

To clear the RAID meta-data from a drive:

1. Start the Microsemi SAS/SATA Configuration Utility in UEFI mode (see [Running the Microsemi SAS/SATA Configuration Utility: Ctrl-A or UEFI/HII?](#) on page 45).
2. Select your controller, then press `Enter`.
3. From the main menu, select **Disk Utilities**.
4. Select a disk drive with RAID meta-data, then press `Enter`.
5. Select **Clear RAID Metadata**, then select **Continue**.

A.9 Setting the Bootable Device(s) for Legacy Boot Mode

Note: This option is applicable only for Legacy Boot Mode.

This option sets the primary and secondary physical boot device(s) for Legacy Boot Mode. The secondary boot device acts as a failover to the primary boot device.

To set the physical boot device(s) for a controller:

1. Start the Microsemi SAS/SATA Configuration Utility in UEFI mode (see [Running the Microsemi SAS/SATA Configuration Utility: Ctrl-A or UEFI/HII?](#) on page 45).
2. Select your controller, then press `Enter`.
3. From the menu, select **Set Bootable Device(s) for Legacy Boot Mode**, then select **Select Bootable Physical Drive**.
4. To set the default bootable device, select a physical drive from the list, then select **Set as Primary Bootable Device**.
5. To set the secondary bootable device, select a physical drive from the list, then select **Set as Secondary Bootable Device**.

Note: To clear previously set boot devices, select **Clear Bootable Device(s)**.

A.10 Updating the HBA 1100 Series adapter Firmware

Note: This option is available only in the UEFI/HII interface.

To update the HBA 1100 Series adapter firmware:

1. Copy the firmware binary file (.bin) to a USB flash drive, then connect the USB drive to the machine. Alternatively, copy the firmware binary to a known location on your machine.
2. Start the Microsemi SAS/SATA Configuration Utility in UEFI mode (see [Running the Microsemi SAS/SATA Configuration Utility: Ctrl-A or UEFI/HII?](#) on page 45), select the controller you want to flash, then press `Enter`.
3. From the main menu, select **Administration**, then select **Flash Controller Firmware**.
4. Select **Continue with flashing Firmware**.
5. Select the storage device where the firmware binary file is located (the USB drive, for instance), navigate the folder hierarchy, then select the firmware binary file.
The firmware is sent to the controller.
6. When the update is complete, reboot the server.

A.11 Creating a Support Archive

Note: This option is available only in the UEFI/HII interface.

Use this option to save configuration and status information to help Customer Support diagnose a problem with your system. Saved information includes device logs, drive logs, event logs, error logs, controller logs, and statistics.

To create a support archive:

1. Start the Microsemi SAS/SATA Configuration Utility in UEFI mode (see [Running the Microsemi SAS/SATA Configuration Utility: Ctrl-A or UEFI/HII?](#) on page 45), select the controller you want to create a support archive for, then press `Enter`.
2. Select **Administration**, then select **Save Support Archive**.
3. Select the device where the support archive information will be gathered and stored, then press `Enter`.

The system gathers the logs and statistics for the device and displays the path where the information is saved.

4. Press any key to complete the operation and exit.

B Installing the SmartPQI Drivers from Source

This section explains how to build and install the SmartPQI drivers from source code for the supported Linux OSs, including how to install the packages using the installation DVD as the repository.

B.1 Installation Instructions for Supported Linux OS's

This section explains how to install the driver from source for the following Linux OSs:

- RHEL-based OS images (including CentOS)
- Ubuntu OS images
- SuSE OS images

Use the following command to determine the type of OS installed on a Linux system:

```
# lsb_release -a
```

Note: The following instructions assume you are installing the packages from the RHEL or SuSE repositories; if not, refer to [Using the Installation DVD as the Repository](#) on page 52.

RHEL-Based OS Images

The instructions below apply to the following RHEL-based OS images:

- Red Hat® Enterprise Linux/CentOS 7.3, 7.2, 7.1, 7.0 (64-bit only)
- Red Hat® Enterprise Linux/CentOS 6.9, 6.8, 6.7, 6.6 (64-bit only)

To install the SmartPQI driver from source for RHEL-based OS images:

1. Build the driver from the source using the following command:

```
$ sudo su
```

Note: You must have administrator privileges to perform the installation steps.

2. Install the following driver dependency packages and reboot the system if necessary:

```
#yum install kernel kernel-devel kernel-headers gcc
```

3. Extract the driver source code from the `source tar.bz2` file by using the following command:

```
# tar -jxvf smartpqi-1.0.4-102.tar.bz2
```

4. Compile the `smartpqi.ko` file by using the following command:

```
# cd smartpqi-1.0.4
# make -f Makefile.alt
```

Note: After the compilation you will get a `smartpqi.ko` driver file, which is the driver module.

5. Use the following command to backup the existing inbox driver:

```
# mv /lib/modules/`uname -r`/kernel/drivers/scsi/smartpqi/smartpqi.ko \
/lib/modules/`uname -r`/kernel/drivers/scsi/smartpqi/smartpqi.ko.org
```

6. Copy the `smartpqi.ko` driver file to the destination by using the following command:

```
# cp ./smartpqi.ko /lib/modules/`uname -r`/kernel/drivers/scsi/smartpqi
```

7. Use the following command to rebuild `initramfs` process with the newly installed `smartpqi` driver:

```
# dracut -v -f --add-drivers smartpqi
```

Note: RHEL provides `dracut` command to place the newly installed `smartpqi.ko` driver modules into the `initramfs` file to include them in the Linux kernel.

8. Rebuild `initramfs` with the newly installed `smartpqi` driver by using the following command:

```
# dracut -v -f --add-drivers smartpqi
```

- Reboot the system to load the new initramfs, which will contain the newly installed smartpqi.ko driver.

Ubuntu OS Images

The instructions below apply to the following Ubuntu OS images:

- Ubuntu Linux 16.04.x (64-bit only)
- Ubuntu Linux 14.04.4 (64-bit only)

To install the SmartPQI driver from source for Ubuntu OS images:

- Build the driver from the source using the following command:

```
$ sudo su
```

Note: You must have administrator privileges to perform the installation steps.

- Install the following driver dependency packages and reboot the system if necessary:

```
# apt-get install build-essential linux-headers-`uname -r`
```

- Extract the driver source code from the `source tar` file by using the following command:

```
# tar -jxvf smartpqi-1.0.4-102.tar.bz2
```

- Compile the `smartpqi.ko` file by using the following command:

```
# cd smartpqi-1.0.4
# make -f Makefile.alt
```

Note: After the compilation you will get a `smartpqi.ko` driver file, which is the driver module.

- Backup the already existing inbox driver.

```
# mv /lib/modules/`uname -r`/kernel/drivers/scsi/smartpqi/smartpqi.ko \
/lib/modules/`uname -r`/kernel/drivers/scsi/smartpqi/smartpqi.ko.org
```

- Copy the kernel driver file to the destination by using the following command:

```
# cp ./smartpqi.ko /lib/modules/`uname -r`/kernel/drivers/scsi/smartpqi
```

- Use the following command to rebuild initramfs process with the newly installed smartpqi driver:

```
# update-initramfs -k `uname -r` -c -v
```

Note: Ubuntu provides `update-initramfs` command to place the newly installed `smartpqi.ko` driver modules into the initramfs file to include them in the Linux kernel.

- Reboot the system to load the new initramfs, which will contain the newly installed smartpqi.ko driver.

SuSE OS Images

The instructions below apply to the following SuSE OS images:

- SuSE Linux Enterprise Server 12 SP2, 12 SP1, SP2 (64-bit only)
- SuSE Linux Enterprise Server 11 SP4 (64-bit only)

To install the SmartPQI driver from source for SuSE OS images:

- Build the driver from the source using the following command:

```
$ sudo su
```

Note: You must have administrator privileges to perform the installation steps.

- Install the following driver dependency packages and reboot the system if necessary:

```
# zypper install kernel-devel gcc make
```

- Extract the driver source code from the `source tgz` file by using the following command:

```
# tar -jxvf smartpqi-1.0.4-102.tar.bz2
```

4. Compile the `smartpqi.ko` file by using the following command:

```
# cd smartpqi-1.0.4
# make -f Makefile.alt
```

Note: After the compilation you will get a `smartpqi.ko` driver file, which is the driver module.

5. Backup the already existing inbox driver.

```
# mv /lib/modules/`uname -r`/kernel/drivers/scsi/smartpqi/smartpqi.ko \
/lib/modules/`uname -r`/kernel/drivers/scsi/smartpqi/smartpqi.ko.org
```

6. Copy the kernel driver file to the destination by using the following command:

```
# cp ./smartpqi.ko /lib/modules/`uname -r`/kernel/drivers/scsi/smartpqi
```

7. Use the following command to rebuild `initramfs` process with the newly installed `smartpqi` driver:

```
# mkinitrd -v -m smartpqi
```

Note: SLES provides `mkinitrd` command to place the newly installed `smartpqi.ko` driver modules into the `initramfs` file to include them in the Linux kernel.

8. Reboot the system to load the new `initramfs`, which will contain the newly installed `smartpqi.ko` driver.

B.2 Using the Installation DVD as the Repository

Follow the instructions in this section to install the packages required to compile the driver modules using the OS installation DVD as the repository. In these procedures, the DVD is used as the package repository.

Installing Packages on a RHEL-based OS

The following steps install the packages required to compile the driver modules from source on a RHEL-based OS.

1. Execute the following command to become a super user to edit and make changes to various system files:

```
$ sudo -i
```

Note: Super user rights are required to edit and make changes in various system files.

2. Get the name of the installation DVD entry in `/dev` directory. The DVD is visible as `/dev/srX`. Use the following command to list all the scsi devices on the system.

```
# ls SCSI
```

3. Once the DVD name is confirmed, create a location to mount the DVD, for example:

```
# mkdir /media/iso
```

4. Mount the DVD to the `/media/iso` directory by using the following command:

```
/dev/srX /media/iso udf,iso9660 noauto,user,ro 0 0
```

5. Use the following command to mount the DVD, once the entry is placed in `/etc/fstab`:

```
# mount /dev/srX
```

6. Create a `dvd.repo` to use the packages from the mounted DVD location:

```
[dvd]
name=Red Hat Enterprise Linux Installation
DVD baseurl=file:///media/iso enabled=1
```

7. Import the GPG keys for YUM to authenticate the RPM packages in the DVD:

```
# rpm --import /media/iso/RPM-GPG*
```

8. Run the following commands to enable the DVD repository:

```
# yum repolist
# yum install
```

Installing Packages on a SuSE-based OS

The following steps install the packages required to compile the driver modules from source on a SuSE-based OS.

1. Execute the following command to become a super user:

```
$ sudo su
```

Note: Super user rights are required to edit and make changes in various system files.

2. Get the name of the installation DVD entry in `/dev` directory. The DVD is visible as `/dev/srX`. Use the following command to list all the scsi devices on the system.

```
# ls SCSI
```

3. Once the DVD name is confirmed, create a location to save the DVD image, for example:

```
# mkdir /var/iso
```

4. Create an ISO image from the installation disk. Once the DVD image is saved, zypper uses the ISO as an installation service and install the packages from it by using the following command:

```
# dd if=/dev/srX of=/var/iso/sles.iso
```

5. Once the installation disk is saved as an ISO image, set it as an installation service by using the following command:

```
# zypper sa "iso:/*iso=/var/iso/sles.iso" "SLES xy spz"  
Where, xy z is the SLES distribution ID eg 10 sp1.
```

6. Run the following command after adding the ISO image as an installation service:

```
# zypper sl
```

C Safety Information

To ensure your personal safety and the safety of your equipment:

- Keep your work area and the computer clean and clear of debris.
- Before opening the system cabinet, unplug the power cord.

C.1 Electrostatic Discharge (ESD)

Caution: ESD can damage electronic components when they are improperly handled, and can result in total or intermittent failures. Always follow ESD-prevention procedures when removing and replacing components.

To prevent ESD damage:

- Use an ESD wrist or ankle strap and ensure that it makes skin contact. Connect the equipment end of the strap to an unpainted metal surface on the chassis.
- Avoid touching the adapter against your clothing. The wrist strap protects components from ESD on the body only.
- Handle the adapter by its bracket or edges only. Avoid touching the printed circuit board or the connectors.
- Put the adapter down only on an antistatic surface such as the bag supplied in your kit.
- If you are returning the adapter to Microsemi Product Support, put it back in its antistatic bag immediately.

If a wrist strap is not available, ground yourself by touching the metal chassis before handling the adapter or any other part of the computer.

D Technical Specifications

D.1 Environmental Specifications

Note: HBA 1100 Series adapters require adequate airflow to operate reliably. Forced airflow is required. The recommended airflow values are:

- HBA 1100-4i/8i/8e/16i—**200 LFM** (linear feet per minute), minimum.
- HBA 1100-24i—**250 LFM** (linear feet per minute), minimum.

Ambient temperature with forced airflow	0 °C to 55 °C
Relative humidity	10% to 90%, non-condensing
Altitude	Up to 3,000 meters

Note: Ambient temperature is measured 1" from the HBA processor.

D.2 DC Power Requirements

Adapter Model	Bus Type	Description	Requirements
Microsemi Adaptec HBA 1100-8i	PCIe	DC Voltage	3.3 V ± 9%, 12 V ± 8%, 3.3 V ± 9% (auxiliary power from PCIe slot)
Microsemi Adaptec HBA 1100-4i	PCIe	DC Voltage	3.3 V ± 9%, 12 V ± 8%, 3.3 V ± 9% (auxiliary power from PCIe slot)
Microsemi Adaptec HBA 1100-8e	PCIe	DC Voltage	3.3 V ± 9%, 12 V ± 8%, 3.3 V ± 9% (auxiliary power from PCIe slot)
Microsemi Adaptec HBA 1100-16i	PCIe	DC Voltage	3.3 V ± 9%, 12 V ± 8%, 3.3 V ± 9% (auxiliary power from PCIe slot)
Microsemi Adaptec HBA 1100-24i	PCIe	DC Voltage	3.3 V ± 9%, 12 V ± 8%, 3.3 V ± 9% (auxiliary power from PCIe slot)

D.3 Current and Power Requirements

Adapter Model	Typical Power	Typical Current
Microsemi Adaptec HBA 1100-8i	8.2 W	0.2A @ 3.3 VDC; 0.63A @ 12.0 VDC
Microsemi Adaptec HBA 1100-4i	7.23 W	1.1A @ 3.3 VDC; 0.3A @ 12.0 VDC
Microsemi Adaptec HBA 1100-8e	8.2 W	0.2A @ 3.3 VDC; 0.63A @ 12.0 VDC
Microsemi Adaptec HBA 1100-16i	11.00 W	0.77 A @ 3.3 VDC; 0.70 A @ 12.0 VDC (3.3 V auxiliary current consumption approximately 50 mA.)
Microsemi Adaptec HBA 1100-24i	13.80 W	0.92 A @ 3.3 VDC; 0.90 A @ 12.0 VDC (3.3 V auxiliary current consumption approximately 50 mA.)

Index

A

adapters [14, 21, 44, 55](#)
See also controllers
disk drives [21](#)
flashing [44](#)
resetting [44](#)
specifications [55](#)
standard features [14](#)
troubleshooting [44](#)
See also controllers

B

boards, See controllers

C

cards, See controllers
contents of controller kit [13](#)
controllers
[21](#)
SAS cables [21](#)

D

descriptions [14, 20](#)
disk drives
[14, 21](#)
solid state [14](#)
drive requirements [21](#)
driver and operating system installation [24, 35, 44](#)
driver installation [36, 43](#)
drivers
[24, 34, 36](#)
installing on Windows [36](#)
installing with VMware [24, 34](#)
installing with Windows [24](#)
installing with XenServer [34](#)

E

electrostatic discharge [54](#)

F

flashing adapters [44](#)

H

hard disk
[12](#)
hard disk drive
[12](#)
hard drive, See disk drive
HBA
[14, 20, 46](#)
figures [14, 20](#)
modifying settings [46](#)
HDA mode [44](#)
HDA mode jumper [44](#)
HII interface [45–49](#)
Human Interaction Infrastructure Interface (HII) [45–49](#)

I

installation
[24, 34–36, 43–44](#)
driver [36, 43](#)
driver and operating system [24, 35, 44](#)
driver and VMware [24, 34](#)
driver and Windows [24](#)
driver and XenServer [34](#)

K

kit contents [13](#)

L

low-profile bracket [13](#)

M

mechanical information [14](#)

O

operating systems [13](#)

R

requirements
[13, 21](#)
drive [21](#)
resetting adapters [44](#)

S

safety information [54](#)
SAS
 [21](#)
 cables [21](#)
solid state [21](#)
Solid State Drive (SSD) [14](#), [21](#)
specifications [55](#)
system requirements [13](#)

T

technical specifications [55](#)
terminology [12](#)
troubleshooting tips [44](#)

U

UEFI [45–49](#)

Unified Extensible Firmware Interface (UEFI) [45–49](#)

V

VMware
 [24](#), [34](#)
 OS installation [24](#), [34](#)

W

Windows
 [24](#), [36](#)
 driver installation [36](#)
 OS installation [24](#)

X

XenServer
 [34](#)
 OS installation [34](#)



Microsemi Corporate Headquarters
One Enterprise, Aliso Viejo,
CA 92656 USA

Within the USA: +1 (800) 713-4113
Outside the USA: +1 (949) 380-6100
Fax: +1 (949) 215-4996
Email: sales.support@microsemi.com
www.microsemi.com

© 2017 Microsemi Corporation. All rights reserved. Microsemi and the Microsemi logo are trademarks of Microsemi Corporation. All other trademarks and service marks are the property of their respective owners.

Microsemi makes no warranty, representation, or guarantee regarding the information contained herein or the suitability of its products and services for any particular purpose, nor does Microsemi assume any liability whatsoever arising out of the application or use of any product or circuit. The products sold hereunder and any other products sold by Microsemi have been subject to limited testing and should not be used in conjunction with mission-critical equipment or applications. Any performance specifications are believed to be reliable but are not verified, and Buyer must conduct and complete all performance and other testing of the products, alone and together with, or installed in, any end-products. Buyer shall not rely on any data and performance specifications or parameters provided by Microsemi. It is the Buyer's responsibility to independently determine suitability of any products and to test and verify the same. The information provided by Microsemi hereunder is provided "as is, where is" and with all faults, and the entire risk associated with such information is entirely with the Buyer. Microsemi does not grant, explicitly or implicitly, to any party any patent rights, licenses, or any other IP rights, whether with regard to such information itself or anything described by such information. Information provided in this document is proprietary to Microsemi, and Microsemi reserves the right to make any changes to the information in this document or to any products and services at any time without notice.

Microsemi Corporation (Nasdaq: MSCC) offers a comprehensive portfolio of semiconductor and system solutions for aerospace & defense, communications, data center and industrial markets. Products include high-performance and radiation-hardened analog mixed-signal integrated circuits, FPGAs, SoCs and ASICs; power management products; timing and synchronization devices and precise time solutions, setting the world's standard for time; voice processing devices; RF solutions; discrete components; enterprise storage and communication solutions; security technologies and scalable anti-tamper products; Ethernet solutions; Power-over-Ethernet ICs and midspans; as well as custom design capabilities and services. Microsemi is headquartered in Aliso Viejo, California, and has approximately 4,800 employees globally. Learn more at www.microsemi.com.

ESC-2161232