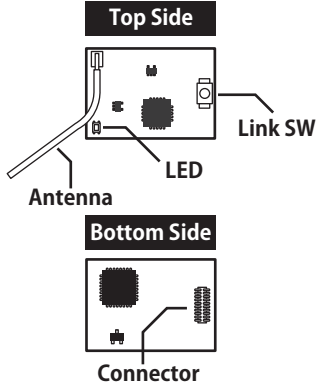


Thank you for purchasing the Mini-Z Evo receiver RA-42. This receiver is designed for use with the Kyosho Mini-Z Evo and Futaba T-FHSS Mini-Z system transmitter.

- **Note:** This receiver is designed to be used only for Kyosho Mini-Z Evo.
- **Note:** This receiver is compatible with the Futaba T-FHSS Mini-Z system transmitters. The transmitter also needs to be updated to latest version. (As of March 2019: T7PX/T7XC Ver4.0~/T4PM Ver1.0~)

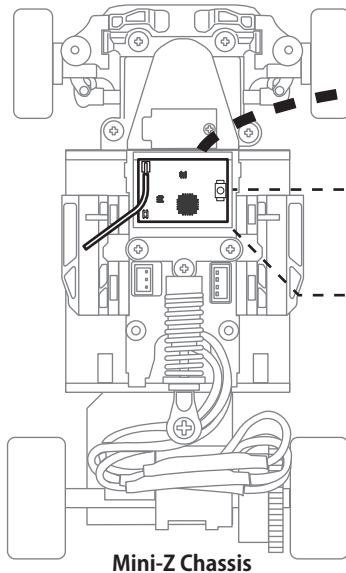
*Futaba T-FHSS Mini-Z system does not work with other communication systems.
*This receiver is T-FHSS system, but the telemetry function isn't equipped.

RA-42



LED Indication

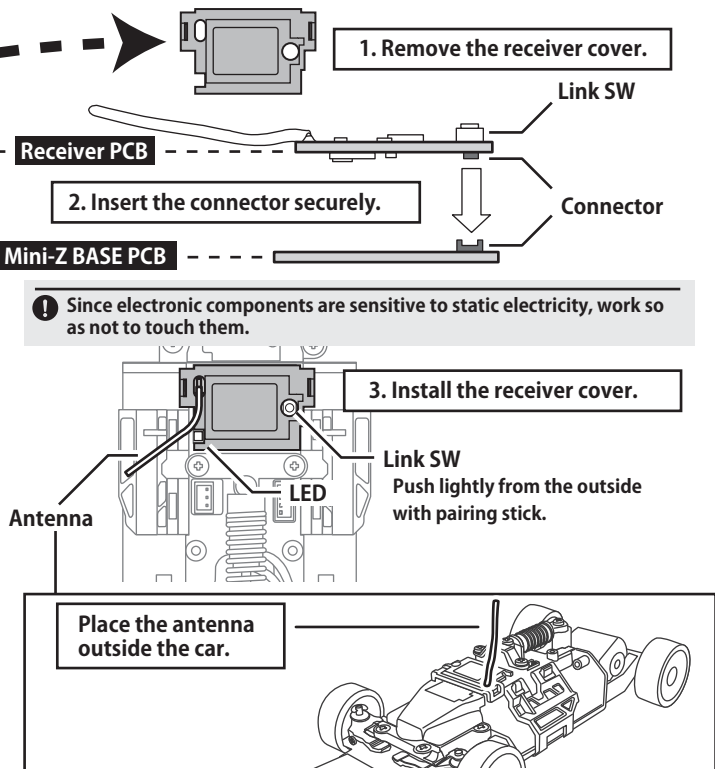
Solid	Link
Blink	No link
Lights off	OFF



Caution

- ⊘ This receiver is dedicated to Kyosho Mini-Z Evo. It can not be used for other purposes.
- ⊘ Don't cut or bundle the receiver antenna wire.
- ⚠ In addition to this manual, read the transmitter and Mini-Z manual and follow it.
- ⚠ When the linking is complete, please cycle the receiver power and ensure the receiver is properly linked to the transmitter.

Receiver Mounting



⚠ Since electronic components are sensitive to static electricity, work so as not to touch them.

Link SW
Push lightly from the outside with pairing stick.

Place the antenna outside the car.

Link Procedure

1 Bring the transmitter and the receiver close to each other, within 20 inches (half meter).

2 Turn on the transmitter. Place the transmitter into the receiver linking mode.
*Refer to the transmitters operation manual for complete details on how to place the transmitter into the linking mode.

3 Turn on the receiver. **ON**

4 Press Link SW on the receiver for 2 seconds or more.

5 Release the Link SW.
LED 2 seconds solid → Blink

6 Release the link mode of the transmitter. Completed with LED solid on the receiver.

* If there are many T-FHSS Mini-Z systems turned on in close proximity, your receiver might have difficulty establishing a link to your transmitter. This is a rare occurrence. However, should another T-FHSS Mini-Z transmitter/receiver be linking at the same time, your receiver could link to the wrong transmitter. This is very dangerous if you do not notice this situation. In order to avoid the problem, we strongly recommend you double check whether your receiver is really under control by your transmitter.

Compliance Information Statement (for U.S.A.)

This device, trade name Kyosho Corporation, model number RA-42, complies with part 15 of the FCC Rules. Operation is subject to the following two conditions:

- (1) This device may not cause harmful interference, and
- (2) This device must accept any interference received, including interference that may cause undesired operation.

The responsible party of this device compliance is:

<Kyosho America>
20322 Valencia Circle Lake Forest, CA. 92630-8158 US
(1)949 454 8854

<Kyosho Japan>
Atsugi AXT Main Tower 7F 3050 Okata Atsugi, Kanagawa 243-0021 JAPAN
(81)46 229 1511

FEDERAL COMMUNICATIONS COMMISSION INTERFERENCE STATEMENT

This equipment has been tested and found to comply with the limits for a Class B digital device, pursuant to Part 15 of the FCC Rules. These limits are designed to provide reasonable protection against harmful interference in a residential installation. This equipment generates, uses and can radiate radio frequency energy and, if not installed and used in accordance with the instructions, may cause harmful interference to radio communications. However, there is no guarantee that interference will not occur in a particular installation. If this equipment does cause harmful interference to radio or television reception, which can be determined by turning the equipment off and on, the user is encouraged to try to correct the interference by one or more of the following measures:

- Reorient or relocate the receiving antenna.
- Increase the separation between the equipment and receiver.
- Connect the equipment into an outlet on a circuit different from that to which the receiver is connected.
- Consult the dealer or an experienced radio/TV technician for help.

Compliance Information Statement (for Canada)

CAN ICES-3(B)/NMB-3(B)

Compliance Information Statement (for EU)

Declaration of Conformity

Hereby, Kyosho Corporation declares that the radio equipment type RA-42 is in compliance with Directive 2014/53/EU. The full text of the EU declaration of conformity is available at the following internet address:
<http://kyosho.com/eng/support/doc/index.html>

RA-42 Specifications

Futaba/Kyosho Mini-Z Evo receiver
System: T-FHSS Mini-Z
Size: 0.55x0.79in (14x20mm)
Frequency band: 2.4GHz band
Power requirement: 3.3V(Supplied from Mini-Z BASE PCB)
Weight: 0.03oz (0.9g)

<KYOSHO CORPORATION>

Atsugi AXT Main Tower 7F, 3050 Okata Atsugi, Kanagawa, JAPAN 243-0021

