

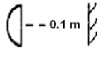


**MODEL
ITR MCD-25 DAB+**

Instruction manual

Congratulation on your purchase. For a better use of your new device,
we recommend you carefully read this user manual and keep it for record.

SAFETY PRECAUTION

1. Please take the time to follow the instructions in this user guide carefully. It will help you set up and operate your system properly and enjoy all of its advanced features.
2. Please save this user guide for future reference
3. Heed all warnings on the product and in the instruction manual.
4. For your safety, read and follow this manual carefully to ensure proper use of the product and avoid any danger or physical damage.
5. CAUTION: TO REDUCE THE RISK OF ELECTRIC SHOCK, DO NOT REMOVE ANY COVER. NO USER-SERVICEABLE PARTS INSIDE, REFER ANY SERVICING TO QUALIFIED SERVICE PERSONNEL.
6. Heed all warnings - on the product and in the user guide.
7. Do not use this apparatus near water or moisture.
8. Do not use this product near a bathtub, washbowl, kitchen sink, and laundry tub, in a wet basement, near a swimming pool, or anywhere else that water or moisture is present.
9. Only use attachments/accessories specified by the manufacturer.
10. Unplug this apparatus during lightning storms or when unused for long periods of time to prevent damage to this product.
11. Refer all servicing to qualified service personnel.
12. To prevent risk of fire or electric shock, avoid overloading wall outlets, extension cords or integral convenience receptacles.
13. Place the unit on a flat surface and ventilated condition. The ventilation should not be impeded by covering the ventilation openings with items, such as newspapers, tablecloths, curtains, etc. to avoid overheating and malfunction.
14. No naked flame sources, such as lighted candles, should be placed on the apparatus.
15. Keep the appliance away from rain and any moisture. Do not place the unit in moist and humid conditions, which could lead to malfunction.
16. When the unit is suddenly moved from a cold environment to a warm one, if moisture forms inside it, it may not operate properly. To correct this problem wait about one hour for the moisture to evaporate.
17. Do not expose the unit under direct sunlight or nearby objects that radiate heat to avoid damaging the unit.
18. The apparatus should be used in moderate climate.
19. Where the mains plug or an appliance coupler is used as the disconnect device, the disconnect device shall remain readily operable.
20. Do not pull on the connection cord, but rather on the plug, to separate the appliance from the mains.
21. The On/Off switch does not completely isolate the product from the power supply. To disconnect the product from the mains power supply, you must unplug the power cord.
22. Ensure a minimum distance of 0.1 meters  around the apparatus for sufficient ventilations.

23. The apparatus shall not be exposed to dripping or splashing, no objects filled with liquids, such as vases, shall be placed on the apparatus.
24. Servicing - Do not attempt to service this product yourself as opening or removing covers may expose you to dangerous voltage. Refer all servicing to qualified service personnel.
25. Damage Requiring Service - Unplug this product from the wall outlet and refer servicing to qualified service personnel under the following conditions:
 - A. When the power-supply cord or plug is damaged.
 - B. If liquid has been spilled, or objects have fallen into the product; if the product has been exposed to rain or water.
 - C. If the product does not operate normally by following the operating instructions. Adjust only those controls that are covered by the operating instructions as improper adjustment may result in damage and will often require extensive work by a qualified technician to restore the product to its normal operation.
26. Use suitable power sources- Plug the product into a suitable power source, as described in the operating instructions or as marked on the product.
27. Batteries shall not be exposed to excessive heat such as sunshine, fire or the like.

CAUTION:

Before making any electrical connections, ensure the following:

- Make sure that you have completed all other connections.
- Do not bend, stretch or pull the cord with the supplied AC plug in order to avoid electric shock.
- The supply voltage should be the same as that indicated in the technical specifications and the appliance rating plate located on the rear of unit.
- When installed, the power socket must be within easy reach.
- If the socket outlets in your home are not suitable for the plug supplied with this unit, please check with a qualified electrician for replacement.
- The use of multiple connectors or extension cables are not recommended.
- The appliance must be connected to a 100-230 volt 50/60Hz AC supply by means of a two-pin socket.
- Risk of electric shock! When you unplug the AC plug, always pull the plug from the socket. Never pull the cord.
- In order to disconnect the apparatus from the mains completely, switch off the outlet and remove the AC plug completely.
The marking information is located at the bottom of apparatus.
- Attention should be drawn to the environmental aspects of battery disposal.

SYMBOLS

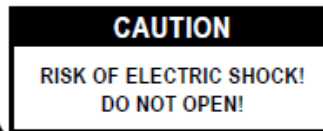


This mark is applied to show the equipment conforms to European safety and electromagnetic compatibility standards.



This symbol means that this unit is double insulated. An earth connection is not required.

This apparatus includes these marking:



LASER SAFETY

This unit employs a laser, only qualified service personnel should attempt repair.

~	AC voltage	⚡	Hazard live parts
---	DC voltage	📖	Please refer for further information to the user manual

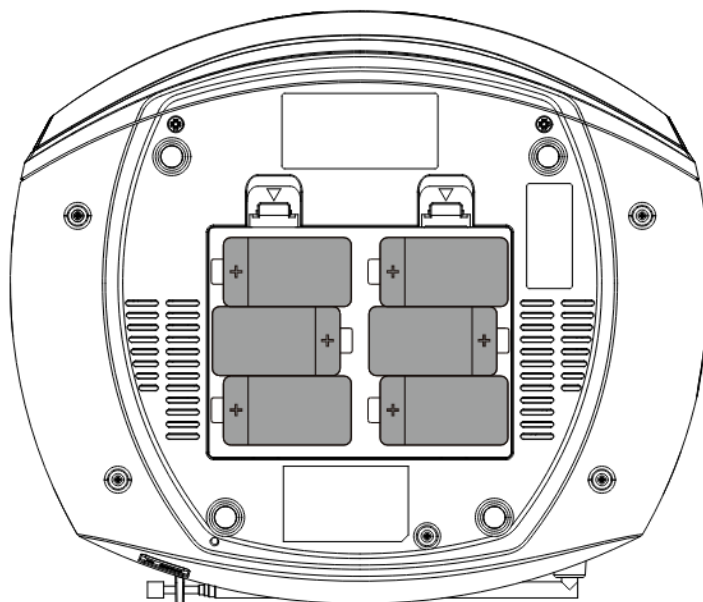


At full power, prolonged listening to the player can damage the ear of the user.



To prevent possible hearing damage, do not listen at high volume levels for long periods.

Battery installation:



C SIZE/ UM-2/ LR14/ 1.5V X6

1. Remove the battery compartment cover carefully.
2. Install 6 x “C” size batteries (UM-2 or equivalent) while observing the correct polarities.



: There is an engraved diagram showing battery installation directions inside the battery compartment.

3. Replace the battery compartment cover.



: Only adults should handle the batteries.

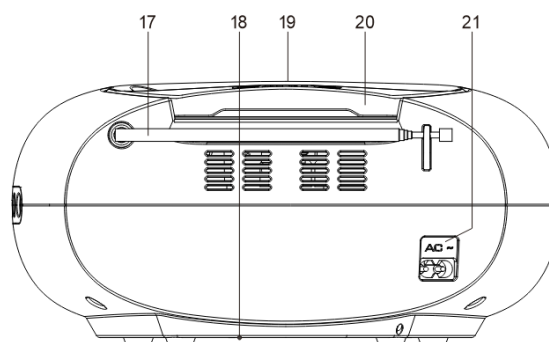
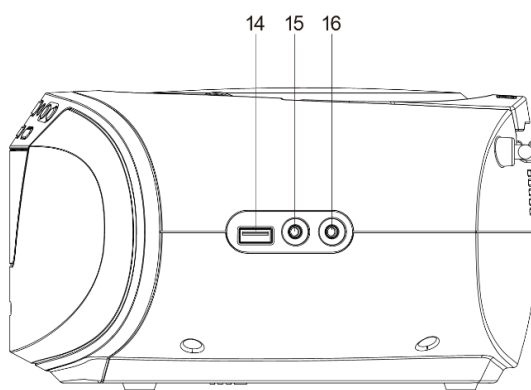
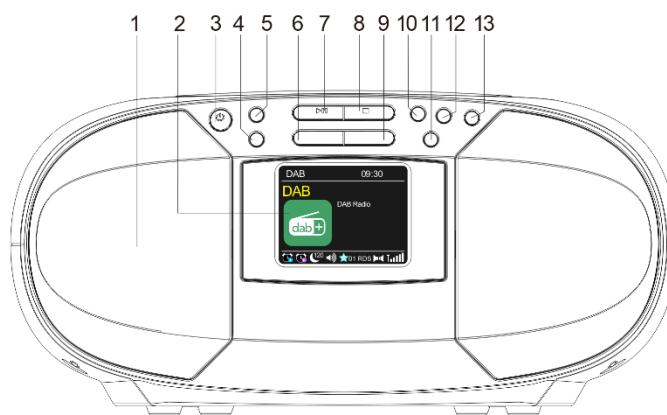
Do not allow a child to use this product unless the battery cover is securely attached to the battery compartment.

The mains cable must be detached from the AC mains socket of the player for the batteries to power the unit.

Leaking batteries may damage the battery cabinet and the player as a whole, so they should be removed from the cabinet when becoming flat or when the player is not to be used with batteries for some time.

Controls

1. SPEAKER
2. LCD DISPLAY
3. ⏻ STANDBY/MODE
4. +10/PRESET/FOLDER+
5. MENU/ SNOOZE
6. VOLUME -
7. ▶||/ SCAN/ OK
8. ■ /INFO
9. VOLUME +
10. EQ
11. PROG/ REPEAT
12. ⏪ / TUNE -
13. ⏩ / TUNE +
14. USB-MP3 JACK
15. 3.5mm EARPHONE JACK
16. 3.5mm AUX-IN JACK
17. FM ANTENNA
18. BATTERY COMPARTMENT
19. CD DOOR
20. HANDLE
21. AC SOCKET



Significance of icons in the display



Alarm 1 on



Alarm 2 on



Sleep function activated, time remaining 120 minutes



Speaker on



Saved station and preset number

RDS

Radio station with RDS



Stereo reception



Signal strength



Connect power

This unit is supplied with an AC mains cable.

1. To connect the power insert the mains cable figure eight plug into the AC socket at the rear of unit.
2. Insert the VDE plug into a household power socket and switch the power ON.

Power on

Follow the below steps to power the unit off or enter standby mode.

1. To switch the unit to STANDBY mode, press and hold the  **STANDBY** button 2 seconds.
2. To wake the unit from  **STANDBY** button in once.



AUTO STANDBY Due to new ErP 2 regulation, this product incorporates a power saving feature.

When in CD/ USB/ AUX/ BT mode once audio playback has ceased and the unit has stood idle for approximately 15-20 minutes, it will switch into a “power-down” power saving mode.

THIS IS NOT A MAL-FUNCTION.

To wake the unit up, press the  **STANDBY** button.

Adjust sound [EQ]

During play back, you can adjust volume and select different sound effects.

- **VOLUME +/-**

Press **VOLUME + / -** button for increase or decrease volume level.

- **SOUND EFFECT**

Press **EQ** button to select a pre-set sound effect:

[NORMAL] > [CLASSIC] > [JAZZ] > [POP] > [ROCK] > [NEWS] > [MY EQ...]

↳ [MY EQ...]: Set the level of Bass, Treble or Loudness.

Set time

1. Press **MENU** button to select System Settings, press **OK** button to access.
2. Press **◀▶** repeatedly to select TIME/DATE, then press **OK** button to confirm the selection.

3. With the TIME/DATE menu, press **◀▶** repeatedly you can:

[Set Time/Date]

[Auto update]: Update the time from

↳ [Update from Any]

↳ [Update from Digital Radio]

↳ [Update from FM]

↳ [No Update]

[Set 12/24 hour]

[Set date format]

[Clock Style]

↳ [Analogue]

↳ [Digital]

Press **OK** button to save setting.

or press **MENU** button to previous step or exit the menu.



If the system is idle for 30 seconds, it exits time setting mode automatically.

Listen to FM radio

Tune to FM radio stations

For optimal reception, fully extend and adjust the position of the FM antenna.

1. Press **MODE** button repeatedly to select FM source then press **OK** to confirm the selection.
2. Press and hold **TUNE+ / -** button for 2 seconds.
 - ↳ [Scanning...] is displayed.
 - ↳ The unit tunes to a station with strong reception automatically.
3. Repeat step 2 to tune to more stations.

To tune to a station with weak signal:

By pressing **TUNE+ / -** button until you find better reception.

Each press increases or decrease the radio frequency by 0.05 MHz.

Store radio stations automatically

You can program a maximum of 40 pre-set FM radio stations.

1. In FM mode
2. Press **SCAN** button.
 - ↳ The unit stores all the available FM radio stations.
 - ↳ The first stored radio station is broadcast automatically.

Store radio stations manually [Save to Preset]

1. Tune to desired FM radio station.
2. Press and hold **PRESET** for 2 seconds to enter [Save to Preset] option.
3. Press **◀▶** repeatedly to allocate a number (1 to 40) to this radio station, then press **OK** button to confirm.
 - ↳ The [Preset "number" stored] are displayed.
4. Repeat the above of steps to store other stations.

Note: To remove a pre-stored station, store another station in its place.

Select a pre-set radio station [Preset Recall]

1. In FM mode, press **PRESET** button to enable Preset Recall.
2. Press **◀▶** repeatedly to select a preset number.
3. Press **OK** button to confirm the selection.

Display FM information

Press **INFO** button repeatedly to cycle through the following information (if available).

- Radio text
- Program type (PTY)
- Ensemble name
- Stereo or mono reception
- Date

Use FM menu

1. In FM mode, press **MENU** to access the FM menu.
2. Press **◀▶** repeatedly to toggle through the menus:
 - [AMS] Automatic Scan
 - [Preset Recall]
 - [Preset Save]
 - [Scan setting]
 - ↳ [Strong stations only]: Scan the strong FM stations only.
 - ↳ [All stations]: Scan all the available FM stations.
 - [Audio setting]
 - ↳ [Stereo]: Stereo broadcast
 - ↳ [Mono]: to improve the reception, change to monaural sound.
3. Press **OK** button to save.

Tip: You can press **MENU** button to previous step or exit FM menu.

Listen to DAB+ radio stations

- For optimal reception, fully extend the antenna and adjust its position.
- You can program a maximum of 40 DAB+ radio stations.
- Check with local retailer or go to www.WorldDAB.org for applicable DAB radio frequencies in your area.

For the first time use

1. Press **MODE** button repeatedly to select the DAB+ (Digital Radio).
 - ↳ The unit automatically perform full scan
 - ↳ If no stations found, the DAB menu will be displayed.
2. Select [Full Scan] or press **SCAN** button to perform scanning.
 - ↳ This product automatically stores radio stations with sufficient signal strength.
 - ↳ After the search is complete, the first stored radio station is broadcast automatically.
3. Press **◀▶** repeatedly to select a station and then listening.

Program DAB+ stations

1. Tune to a DAB+ radio station.
2. Press **PRESET for 2 seconds** to enter [Save to Preset] option.
3. Press **◀◀ \ ▶▶** button to allocate a number (1 to 40) to this radio station, then press **OK** button to confirm.
 - ↳ The radio station is stored with the selected sequence number.
4. Repeat the above of steps to program more DAB radio stations.
5. Press **PRESET** button to enable Preset Recall, then choose the preset station number to broadcast.

Note: If you store a radio station with the sequence number of another one, the earlier one is overwritten.

Display DAB information

On the display of DAB broadcasting, the first line shows station name, and the second line shows the service information for the current station. Press **INFO** button repeatedly to cycle through the following information (if available).

- Dynamic label segment (DLS)
- Program type (PTY)
- Ensemble name
- DAB stations and frequency
- Signal error rate/ Strength
- Bitrate codec
- Date

Use DAB menu

1. In DAB mode, press **MENU** to access Digital Radio menu.
2. Use **◀◀ \ ▶▶** button to toggle through the menus.
 - ↳ [Station List]
 - ↳ [Full scan]: Scan for the DAB stations.
 - ↳ [Preset Recall]
 - ↳ [Preset Save]
 - ↳ [Manual tune]: Tune to a station manually.
 - ↳ [Prune Invalid]: Remove all the invalid stations.
 - ↳ [DRC] (Dynamic range control): Reduces the volume of loud sounds or amplifies quiet sounds thus reducing or compressing an audio signal's dynamic range.
 - ↳ [System Settings]: Access system setting menu.
3. Press **OK** button to save.

Tip: You can press **MENU** button to previous step or exit DAB menu.

Tune to a DAB+ station manually

With this feature, you can tune to a specific channel/frequency manually. In addition to antenna orientation for better radio reception, the optimal reception can also be obtained with this feature.

1. Press **MENU** button to access Digital Radio menu.
2. Select Station List.
3. Press **◀\▶** button repeatedly to select a station.
4. Press **OK** button to confirm the option.

Remove invalid DAB+ stations

This option lists active stations and removes any stations that are in the list but have no service in your area.

1. Press **MENU** button to access Digital Radio menu and select [PRUNE Invalid].
2. Press **◀\▶** button repeatedly to select an option:
 - [No]: Return to the previous menu.
 - [Yes]: Remove invalid stations from the station list.
3. Press **OK** button to confirm the selection.

Play from Bluetooth-enable devices

- The effective operating range between the system and the paired device is approximately 10 meters (30 feet).
- Any obstacle between the system and the device can reduce the operational range.
- Compatibility with all Bluetooth devices is not guaranteed.
- This system is auto enabled Bluetooth pairing mode.

1. Press **MODE** button repeatedly to select Bluetooth, then press **OK** button to confirm the selection.
2. On your Bluetooth device, enable Bluetooth and search for Bluetooth devices that can be paired (refer to the user manual of the device).
3. When [**ITR MCD-25**] is displayed on your device, select it to start pairing and connection.
After successful pairing and connection, the [**Connected**] text goes stable and heard prompt voice.
4. Play audio on your device and adjust the volume level.
Audio streams from your device to **ITR MCD-25**.

Manual pairing the Bluetooth enable device:

1. In Bluetooth mode if paired device.
2. Press **STOP** button 3 seconds to enable pairing mode, the [**Pairing**] is displayed and blink.
3. On your Bluetooth device, enable Bluetooth and search for Bluetooth devices that can be paired (refer to the user manual of the device).
4. When [**ITR MCD-25**] is displayed on your device, select it to start pairing and connection.
After successful pairing and connection, the [**Connected**] text goes stabiles (connected) and heard prompt voice.
5. Play audio on your device. Audio streams from your device to this micro system.

To disconnect the Bluetooth enable device:

- Deactivate Bluetooth on your device; or
- Move the device beyond the communication range.

CD operation

Load a CD

1. Lift up the CD door.
2. Load a CD DISC onto the CD tray with the label facing upwards.
3. Close the CD door.

Playing a CD

1. Wake the unit from STANDBY mode if required.
2. Press **MODE** button repeatedly to select CD, then press **OK** button to confirm the selection.
3. Follow the steps above to load a disc (if not loaded).
4. The player begins to read the disc immediately.
5. When the disc is successfully read the total number of tracks found on the disc will be displayed.
6. Press the ►|| button once to begin playback. Press again to PAUSE the music playback, the time track flashes on the display to indicate the player is in Pause mode. Pressing the ►|| button resumes playback.
7. Press the ■ button to cease music playback. The display shows the total number of tracks again.

Select the tracks

1. Press **▶▶** / TUNE+ button to skip to the next track.
2. Press **◀◀** / TUNE- button to the beginning of the current track.
3. Press and hold **+10** button to skip the track in 10 multiples.
4. Press and hold **FOLDER+** button to skip the folder (CD-MP3/USB playback only)

Repeat playback

During CD playback, press the **REPEAT** repeatedly to enable different playback mode.



Repeat 1, Repeat ALL, Repeat Folder (Mp3-CD), Random

Resume function

- If you change the mode or turn off the unit and come back to the CD mode, the unit starts the playback from the last point.
- If you press the **■** button twice or open the CD door then start playback again, the unit starts with the first track (track 1).

Programmed playback

To program an alternative playback order of tracks follow the below steps.

1. Make sure the unit is not playing a disc.
2. Press the **PROG** button to activate programming.
 - ★ “P01” and “T01” indicators will flash on the display.
3. Press **◀◀\▶▶** to select the first track to be programmed.
4. Press the **PROG** button again to store and advance to the next programmed track.

The program sequence indication changes to “P02” momentarily waiting for your next input.
5. Repeat the steps above to program more tracks. A maximum of 20 CD/99MP3 tracks can be programmed.
6. Press the **▶▶** button to begin the programmed playback in the preferred order.
7. You can press the **■** button to terminate programmed playback.
8. To erasing a program, during stop mode press **■** button twice or open the CD door.

Playing USB

1. Press **MODE** button repeatedly to select USB, then press **OK** button to confirm the selection.
2. Press the ►|| button once to begin playback. Press again to PAUSE the music playback, the time track flashes on the display to indicate the player is in Pause mode. Pressing the ►|| button resumes playback.
3. Press ■ button to stop the playback
4. The operation procedures are the same as CD playback. Refer to general control for details.



- Compatible storage device (up to 128GB, FAT32)
- Please do NOT use a USB extension cable to connect your USB flash drive. Such cable can pick up additional interference which can corrupt the data flow.
- Always connect your USB flash drive directly to the USB port without USB extension cable.
- Due to some USB drive manufacturer's non-compliance with the full USB 1.1/2.0 standard. A small percentage (about 5%) of USB flash drive might not be compatible.

AUX input

Connect an external audio source like an MP3 player using a 3.5mm audio cable (not supplied).

1. Connect one end of the cable to the external device headphone output and the other end to the AUX socket at the side of the unit.
2. Wake the unit from STANDBY mode if required.
3. Press **MODE** button repeatedly to select **AUX**, then press OK button to confirm the selection. When a 3.5mm audio cable is connected to the AUX socket, CD playback will stop.
4. Press PLAY button on the external audio source EG: MP3 player
The volume output is affected by the volume level on the source EG: MP3 player so make sure that is set to about 70-80% (not too loud to avoid distortion).
5. Adjust the VOLUME control on the unit to the required listening level.

System Settings

With the system settings, you can set:


- [Sleep]: Set the sleep timer (When the unit turned on)
- [Alarm]: Set the Alarm time.
- [Time/Date]: Set the Time and Date
- [Backlight]: Adjust the level of timeout, On level and Dim Level
- [Language]: English, Deutsch, Francais, Italiano, Polski, Nederlands, Portugues, Espanol, Dansk.
- [EQ]: Set the sound effect.
- [Factory Reset]: Reset the product to factory default status.
- [Software version]: Check the version of software.

Set the sleep timer

This unit can switch to standby automatically after a preset period.

When the unit is turned on, press **MENU** button to enter System settings, select [SLEEP] then press **OK** button to access.

Press ◀◀\▶▶ button repeatedly to select the sleep timer period (Sleep timer Off, 15, 30, 45, 60, 90, 120 minutes).

↳ When the sleep timer is activated ¹²⁰ appears.

↳ The number showing the minute remaining turn off.

Press **OK** button to confirm the selection or press **MENU** button to exit the settings.

Set the Alarms

Before setup, please make sure the clock have been set.

1. Press **MENU** button to enter System settings then select Alarms:
 - ↳ [Alarm 1]
 - ↳ [Alarm 2]
2. Press **◀▶** button repeatedly to set Alarm options:
 - ↳ [Alarm] On / Off
 - ↳ [Frequency] Once, Weekday, Weekend, Daily.
 - ↳ [Wake up time]
 - ↳ [Source] Wake up source from Buzzer, Digital Radio, FM, USB, CD
 - ↳ [Duration] 15 >30 >45 >60 >90 >120 minutes
 - ↳ [Volume] Alarm sound level
3. Press **SELECT/OK** button to confirm the selection.
4. Press **MENU** button to complete and save the Alarm setup.
 - ↳ When the Alarm is activated, Alarm 1 icon appears.
5. Alarm 2 setup is same as Alarm 1 operation.

When the ALARM sounds ON, press **⏏** button to turn off the alarm sound or press **SNOOZE** button to temporarily stop the alarm from sounding for 10 minutes on each press.



If CD,USB is selected as alarm source, yet there is no disc inserted or no USB connected, the system switches to the BUZZER source automatically.

If alarm source selected FM or DAB, please tune the desired broadcast stations in advance.

Using earphones

Turn down the volume before connecting the earphones. Slowly raise the volume with the earphones in until you reach your desired volume. When the earphones are connected, the speaker is automatically disabled (MUTE).



WARNING: To protect your hearing, it is important that any headphones or earphones used in conjunction with this product are compliant with French Decree of 8 November 2005 implementing Article L.5232-1. This ensures that the sound level does not exceed 100 dB SPL. The prolonged listening at high volume for more than five hours a week can damage your hearing.

Earphones or headphones must comply with EN 50332-1 / E50332-2 to ensure continue protection from excessive sound pressure.

TECHNICAL SPECIFICATIONS

Output Power	2x2W RMS
Disc	
Support Disc	CD, CD-R, CD-RW, MP3-CD, WMA-CD
DAB+ frequency	174.928 – 239.200 MHz
FM frequency	87.5 -108 MHz
Bluetooth Frequency range	V5.3+EDR, support A2DP profile 2402 to 2480 MHz Max transmits power: <20dBm
General information	
AC Power	AC 100-230V~50/60Hz
DC Power	9V --- 6x LR14/C (1.5V)
USB Output	5V --- 500mA
	(Not support charging function)
USB Support format, size	MP3, FAT32, up to 128GB
Operation power Consumption	18W
Standby power Consumption	< 1 W
Dimensions - Main Unit	260W x 220D x 128H mm
Weight - Main Unit	1180g
Weight - Remote	38g

TROUBLE SHOOTING

FAQ	Possible Cause
No power	Make sure the plug is connected and switch the power on.
No Sound CD/BT/AUX/DAB+/FM/USB mode	Increase the volume.
No sound from AUX input	Increase the output volume from the external device.
Sound is distorted Sound is distorted from AUX IN input	Reduce the volume. Try to select different EQ mode Reduce the output volume of the external device.
Unable to play	Insert a compatible disc check the disc loaded Clean the disc
Static Sound (TUNER)	Re-locate the antenna (DAB/FM)
Unit switched off after 15-20 minutes of inactivity	This unit is designed to enter STANDBY mode automatically after 20 MINUTES of inactivity. Press STANDBY button to wake the unit.

Recycling

Processing of electric and electronic equipment at the end of their service life (applicable in member countries of the European Union and other European countries operating a selective waste collection system).

This symbol, affixed to the product or its packaging, indicates that the product must not be processed with household waste. It must be brought to an electric and electronic waste collection point for recycling and disposal. By ensuring the appropriate disposal of this product you also help in preventing potentially negative consequences for the environment and human health. The recycling of materials helps preserve our natural resources. For further information regarding the recycling of this product, please contact your municipality, local waste disposal centre or the store where the product was purchased.



Net weight: 1218 g

Hereby, _____ declares that the radio equipment type

CD Boombox

Model: _____

is/are in compliance with Directive 2014/53/EU.

The full text of the EU declaration of conformity is available at the following internet address:

